



MAG FORGE 110R

MAG FORGE 111R

MAG FORGE 112R

User Guide
使用手冊

Contents / 目錄

Accessories / 配件	3
Specification / 產品規格.....	4
Case Features / 機殼特色.....	5
Side & Front View/ 側面和前面.....	6
IO Panel / IO 面板.....	7
SSD, HDD Installation/ SSD 和硬碟安裝方式.....	8
Opening the Left & Right Side Cover/ 開啟左右側板	9
Motherboard Installation / 安裝主機板	10
Graphics Card Installation / 安裝顯示卡	11
PSU Installation / 安裝電源供應器	12
Control Board Specification / 控制板規格	13
ARGB Fan Connection / 連接 ARGB 風扇	14

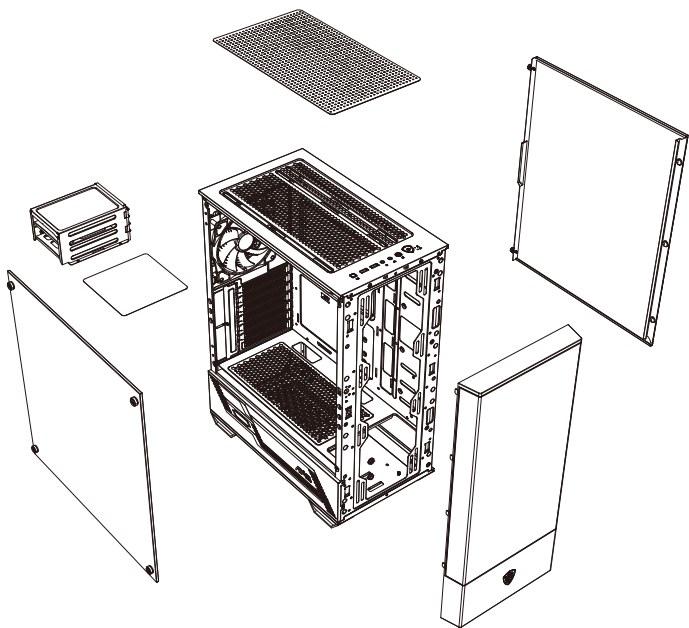
Accessories / 配件

Item 項目	Name 名稱 / Q'ty 數量	Used for 用途
	Cable ties 束綫帶 x5	Cable management 整線
	Screw #6-32 10mm 手轉螺絲 x2	Securing drive tray 固定硬碟托架
	Screw #6-32 6.5mm x4	Motherboard Stud 主機板螺柱
	Screw M3 5mm x20	Motherboard / SSD 主機板 / SSD
	Screw #6-32 6mm 六角螺絲 x6	PSU / PCIe Card 電源供應器 / PCIe 卡
	Screw #6-32 5mm 圓頭螺絲 x10	3.5" HDD 3.5" 硬碟
	1 to 3 fan splitter cable 1 對 3 風扇分接線 x1 (MAG FORGE 112R only)	Connect 3 fans 連接 3 個風扇

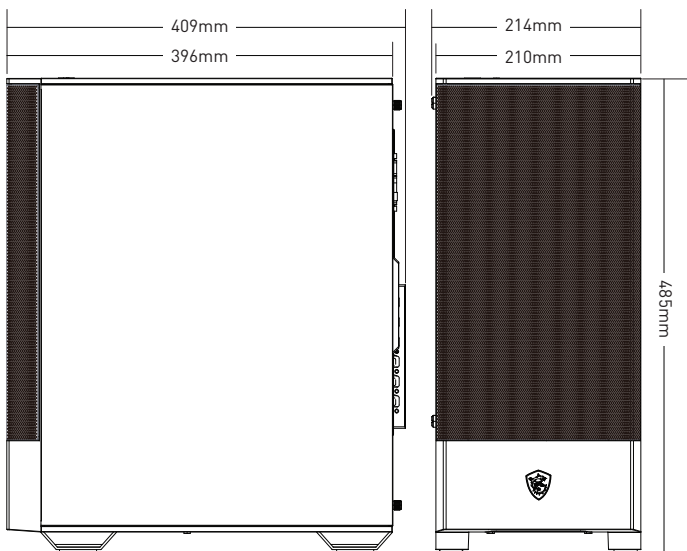
Specification / 產品規格

Size 尺寸	Mid-Tower
Fan LED Controller 風扇 LED 控制板	1 to 6 ARGB (3 pin) Control Board (MAG FORGE 111R / 112R)
Pre-Installed Fan 預裝風扇	MAG FORGE 110R / 111R Rear: 1x 120 mm ARGB fan MAG FORGE 112R Rear: 1x 120 mm ARGB fan Front: 3x 120 mm ARGB fans
Material 材質	Chassis: Steel (SPCC 0.5 mm) (鋼板外框) Right Side Panel: Steel (右側鋼板) Front Bezel: Plastic + Mesh (前面塑膠 + 格網) MAG FORGE 110R Left Side Panel: Transparent acrylic (左側透明壓克力) MAG FORGE 111R / 112R Left Side Panel: Tempered glass (左側強化玻璃)
Dust Filters 防塵濾網	Top: Magnetic frame dust filter PVC mesh (頂部 PVC 磁性框防塵濾網) Bottom dust filter (下防塵濾網)
Fan Support 支援風扇	Top: 2x 120 mm / 2x 140 mm Front: 3x 120 mm / 2x 140 mm Rear: 1x 120 mm
Drive Bays 硬碟槽	3 x 2.5" SSD mounting brackets (1 SSD tray & 2 with screw only) (1 個 SSD 托盤 & 2 個僅鎖螺絲) 2 x 3.5" + 2.5" combo HDD tray
Expansion Slots 擴充槽	Supports 7 expansion slots (支援 7 個擴充槽)
IO Panel IO 面板	1x LED switch button 2x USB 3.2 Gen1 Type A ports 1x Mic-in jack 1x Line-out jack 1x Reset button 1x Power button
Radiator Support 支援水冷排	Top: 120/ 240 mm Front: 120 / 140 / 240 mm Rear: 120 mm
Clearance 空間	CPU Cooler Height: Max 160mm (6.3 inch) Graphics Card Length: Max 330 mm (12.99 inch) PSU Length: Standard ATX 160mm (6.3 inch) Max 200 mm (7.87 inch) without 3.5" HDD tray installed
Case Dimensions 機殼尺寸	409(D) x 214(W) x 485(H) mm 16.1(D) x 8.43(W) x 19.09(H) inch
Motherboard Support 支援主機板	ATX/ M-ATX/ ITX

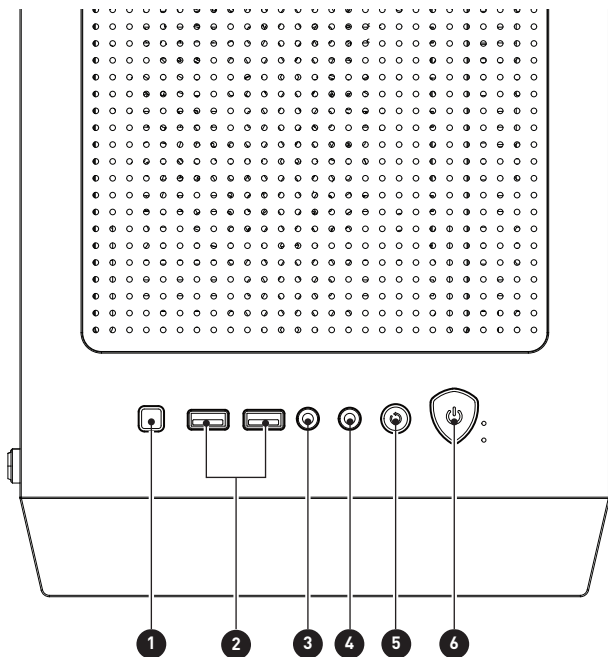
Case Features / 機殼特色



Side & Front View/ 側面和前面

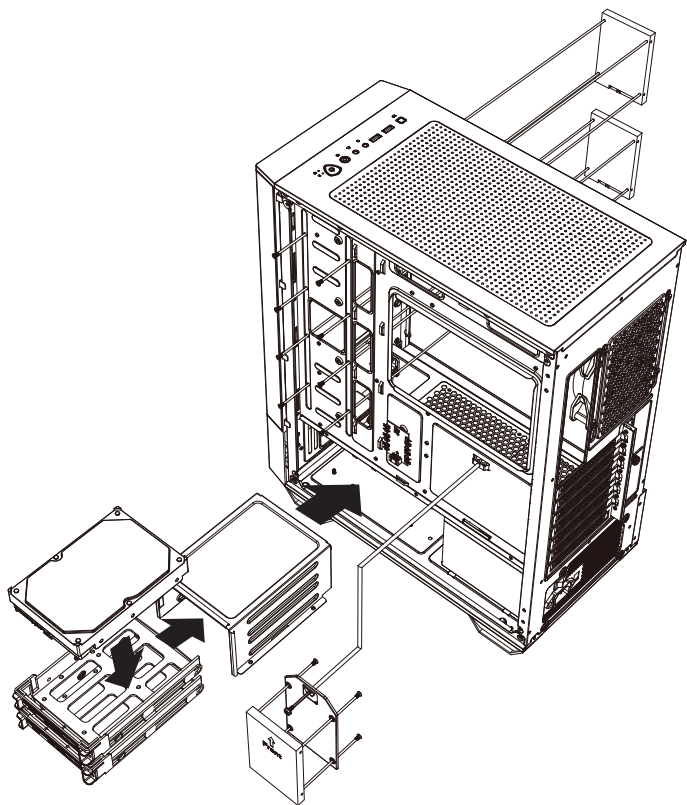


IO Panel / IO 面板

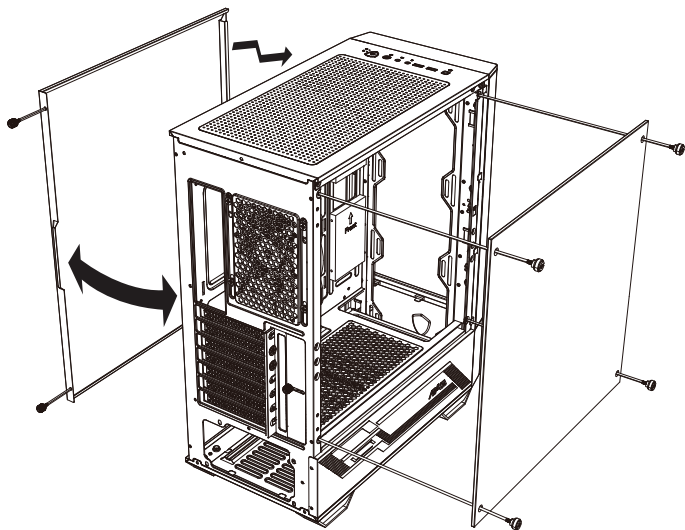


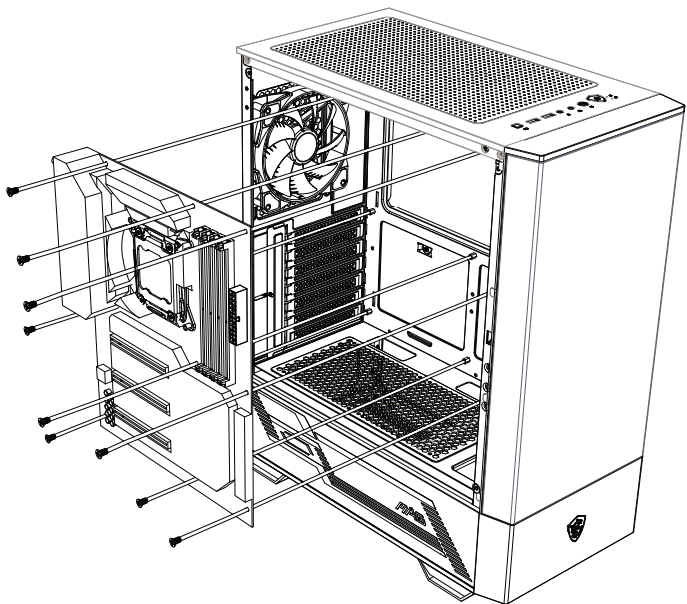
1. LED switch button / LED 切換按鈕
2. USB 3.2 Gen 1 Type-A
3. Mic-in / 音訊輸入
4. Line-out / 音訊輸出
5. Reset button / 重新開機按鈕
6. Power button / 電源按鈕

SSD, HDD Installation/ SSD 和硬碟安裝方式

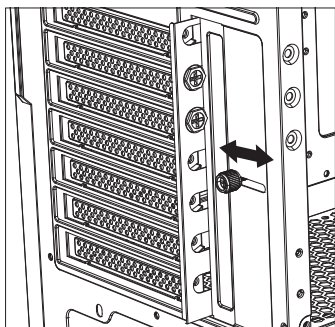
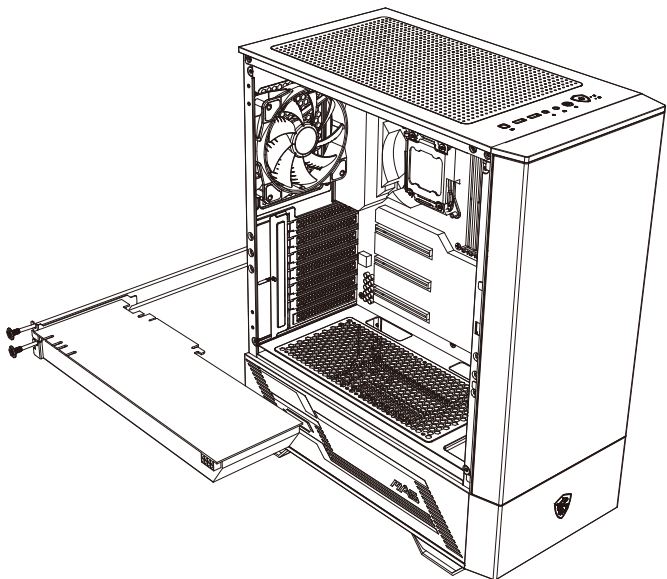


Opening the Left & Right Side Cover/ 開啟左右側板

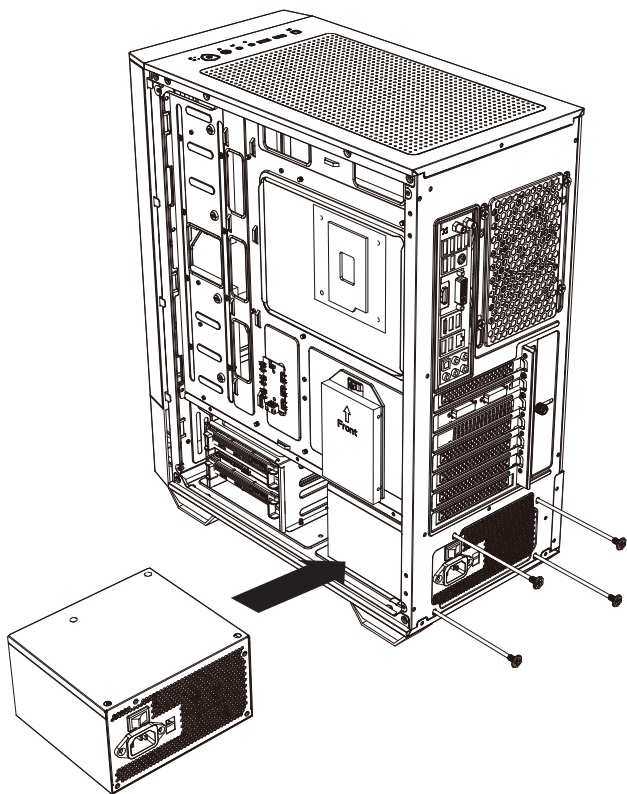





Graphics Card Installation / 安裝顯示卡



PSU Installation / 安裝電源供應器



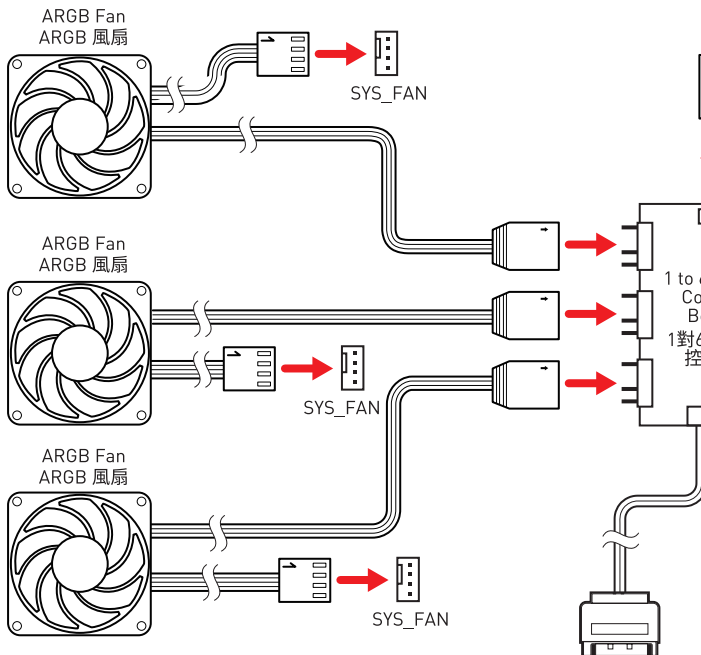
Control Board Specification / 控制板規格

Dimensions (mm) 尺寸 (mm)	50 x 30	
Support LED Type 支援 LED 種類	DC5V Addressable RGB LED	
Connectors 接頭	1x LED switch connector (LED 按鈕接頭) 1x SATA power connector (SATA 電源接頭) 1x MSI motherboard JRAINBOW connector (微星主機板 JRAINBOW 接頭) 6x 3-pin ARGB LED connectors (3 針 ARGB LED 接頭)	
ARGB Pin Definition ARGB 針腳定義	 <p>Ground Data +5V</p>	
LED Effects (1 short press the LED switch) LED 效果 (短按 LED 按鈕)	LED effect cycle: 1. Rainbow 2. Seven-color trailing 3. Seven-color gradient 4. Violet 5. White 6. Blue 7. Cyan 8. Green 9. Yellow 10. Red 11. Rainbow breathing 12. Red breathing 13. Yellow breathing 14. Green breathing 15. Cyan breathing 16. Blue breathing 17. White breathing 18. Violet breathing 19. Fixed rainbow 20. Red 21. Yellow 22. Green 23. Cyan 24. Blue 25. White 26. Violet	LED 效果循環: 1. 彩虹 2. 七色拖尾 3. 七色漸變 4. 紫色 5. 白色 6. 藍色 7. 青色 8. 綠色 9. 黃色 10. 紅色 11. 彩虹呼吸 12. 紅色呼吸 13. 黃色呼吸 14. 綠色呼吸 15. 青色呼吸 16. 藍色呼吸 17. 白色呼吸 18. 紫色呼吸 19. 固定彩虹 20. 紅色 21. 黃色 22. 綠色 23. 青色 24. 藍色 25. 白色 26. 紫色

ARGB Fan Connection / 連接 ARGB 風扇

LED switch control description:

1. Short press the LED switch once to switch the LED effect
2. Press and hold the LED switch for 3 seconds the LED flash white light once, and then into the MSI motherboard Mystic Light synchronization mode. Short press once to back to the Hub control mode.
3. Press and hold the LED switch for 6 seconds to turn off the LED.



Note / 注意

- Support up to 128 LEDs, Exceeding this limit will lead to overheating, abnormal color or no light.
- 最大支援 128 顆 LED，超過此限定會導致過熱、異色、不亮。

