

Thank you for the confidence you have shown by buying this appliance. We hope it will successfully serve its purpose for many years.

The appliance is intended solely for household use.

This **upright freezer** is intended for domestic use only, for freezing fresh food and for long-term storage of frozen food (up to one year, depending on the type of food).

Before putting into use	2	Switching on the appliance
Instructions for use		Switching off the appliance
Mounting instructions		Selecting the temperature in the appliance
We care for the environment		
Tips for energy saving		Freezing and storing frozen food
Important	3	Freezing process
Disposing of the worn out appliance		Important warnings on freezing fresh food
Placing and installation	4	Storage of frozen food
Choosing the right place		Defrosting of frozen food
Connection to Power Supply		Maintenance and Cleaning
Adjusting the height of the appliance	5	Freezer defrosting
Description of the appliance	5	Cleaning the appliance
Operating the appliance	5	Switch off the appliance when not in use
		Troubleshooting
		9

Before putting into use

- Before connecting the appliance to the power mains, leave it stand for about 2 hours. This will reduce the probability of malfunctions in the cooling system due to transport and handling.
- Clean the appliance thoroughly, especially the interior (see Cleaning and maintenance).

Instructions for use

These instructions for use were prepared for the user. They describe the appliance and its correct and safe use. They were prepared for various types/models of appliances; therefore you might find in them descriptions of some functions and accessories that do not apply to your appliance.

Mounting instructions

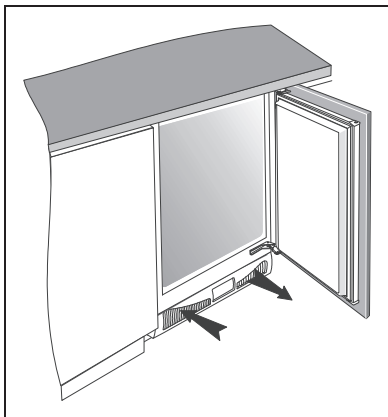
Integrated appliances are equipped with instructions for mounting the appliance into the kitchen unit.
The appliance should be professionally mounted by a qualified technician; mounting instructions are for his use only.

We care for the environment

- Our products use environmentally friendly packaging which can be either recycled or disposed of in an environmentally friendly manner. To this end, individual packaging materials are clearly marked.
- These instructions are printed either on recycled paper or chlorine-free bleached paper.
- When your appliance finally wears out, please do not burden the environment with it; call your nearest authorised service agent (see Disposing of the worn out appliance).

Tips for energy saving

- Do not open the door too often, especially when the weather is wet and hot. Once you open the door, close it as soon as possible. This is especially important if you have an upright model.
- Check periodically if sufficient ventilation is provided (undisturbed circulation of air through the bottom rail openings).



- Turn the thermostat knob from higher to lower setting as soon as possible (depending on how loaded the appliance is, ambient temperature etc.).
- Before freezing packages of fresh foods, make sure they are cooled to ambient temperature.
- Ice and frost layer increase energy consumption, so do clean the appliance as soon as the layer is 3-5 mm thick.
- If the gasket is damaged or if it turns out that the sealing is poor, the energy consumption is substantially higher. To restore efficiency, replace the gasket.
- Condenser at the bottom of the appliance must always be clean and dust free (see section **Cleaning of the appliance**).
- Always observe the instructions given in sections *Positioning* and *Energy saving tips*; otherwise the energy consumption may be substantially higher.

Important

- This appliance can be used by children aged from 8 years and above and persons with reduced physical, sensory or mental capabilities or lack of experience and knowledge if they have been given supervision or instruction concerning use of the appliance in a safe way and understand the hazards involved. Children shall not play with the appliance. Cleaning and user maintenance shall not be made by children without supervision.
 - If you bought this appliance to replace an old one that was equipped with a lock that cannot be opened from the inside of the appliance (lock, bolt), make sure that the lock is broken. This will make it impossible for the children to lock themselves into the appliance and suffocate.
 - Make sure you connect the appliance correctly to the power mains (see Connection to the power mains).
 - Do not touch the cooled surfaces while the appliance operates, especially not with wet hands, because your skin might stick to the cold surfaces.
 - Do not freeze bottled drinks, especially not fizzy ones such as mineral water, sparkling wine, beer, cola etc., because liquid expands during freezing and the glass bottle is very likely to blow up.
 - Never try to eat frozen food (bread, fruit, vegetables), because you may get frostbite.
 - Carefully check the foods for colour and smell and if you are in doubt about their quality, throw them away because they may be spoiled and therefore dangerous to eat.
 - Disconnect the appliance from the power mains before any repairs (only a qualified technician should repair it) and before cleaning.
 - Use only tools supplied with the appliance or tools recommended by the manufacturer.
 - To protect your environment, be careful not to damage the rear wall of the appliance (the condenser unit or the tubes – for example when moving the appliance) or any part of the refrigeration system inside the appliance.
 - The refrigeration system of the appliance is filled with refrigerant and lubricant. When the appliance is damaged, handle it with care and dispose of it in compliance with environment-protection precautions (see *We care for the environment*).
 - Heating element integrated in the appliance, all around the rim, is controlled by the operation of the compressor and it prevents the door gasket to freeze onto the freezer housing.
 - If the power supply cord is damaged, it must be replaced by the manufacturer or his service agent or a qualified person in order to avoid hazard.
 - The rating plate is located in the interior or on the rear wall of the appliance.
- **Warning! Ventilation slots on the appliance or a built-in element must always be clean and unobstructed.**
- **Warning! Do not use mechanical devices or**

tools to defrost the refrigerator, nor any other methods except for those recommended by the manufacturer.

● **Warning!** When installing, cleaning, or removing the appliance, make sure the insulation on the refrigeration system parts is not damaged. Thus you will also prevent damage to the environment.

● **Warning!** Do not use electric appliances in the refrigerator or freezer interior, except for those expressly allowed by the refrigerator-freezer manufacturer.

● After the installation, the appliance mains plug should be accessible!



The symbol on the product or on its packaging indicates that this product may not be treated as household waste.

Instead it shall be handed over to the applicable collection point for the recycling of electrical and electronic equipment. By ensuring this product is disposed of correctly, you will help prevent potential negative consequences for the environment and human health, which could otherwise be caused by inappropriate waste handling of this product. For more detailed information about recycling of this product, please contact your local city office, your household waste disposal service or the shop where you purchased the product.

Storing time during power supply interruption

Avoid opening the freezer in case of failure or power supply interruption unless the interruption is extended over longer period of time (15 hours).

Disposing of the worn out appliance

- When your appliance finally wears out, dispose of it. If the appliance has a lock, break it to prevent any accidents (danger of children getting locked inside the appliance).
- The refrigeration system of the appliance is filled with refrigerant and insulating substances which should be treated and processed separately. Call your nearest authorised service agent or specialised servicing centre. If you cannot find one, contact your local authorities or your distributor. Be careful not to damage the tubes on the rear wall of the appliance (danger of pollution).
- To avoid pollution of the environment make sure not to damage the hose at the bottom of the appliance.

Placing and installation

Choosing the right place

Place the appliance in a dry and well ventilated room. Allowed ambient temperature depends on the model (class) of the appliance and it is stated on the rating plate of the appliance. Never place the appliance near heat emitting devices (e.g. cooker, radiator, water heater and similar devices) and do not expose it to direct sunlight.

The appliance should be positioned at least 3 cm away from the electric or gas cooker and at least 30 cm away from the oil or coal stove. If this is not possible, use appropriate insulation.

Class	Ambient temperature
SN (sub-normal)	from + 10°C to + 32°C
N (normal)	from + 16°C to + 32°C
ST (sub-tropical)	from + 16°C to + 38°C
T (tropical)	from + 16°C to + 43°C

Connection to Power Supply

Use the cable and plug to connect the appliance to the power supply socket outlet with a ground terminal (safety socket).

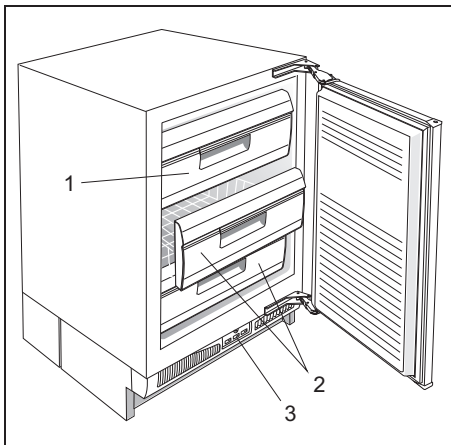
Required nominal voltage and frequency are indicated on the rating plate.

The connections to the mains supply and earthing have to be made according to relevant standards and regulations. The appliance resists temporary voltage fluctuations of up to +/- 6 %.

Adjusting the height of the appliance

The appliance is equipped with four adjustable legs which allow adjusting the height in the range from 82 to 90 cm. The height must be adjusted prior to building the appliance into the opening slot, and it should be set at such height that the top panel of the appliance fits exactly below the kitchen worktop (see **Mounting instructions**).

Description of the appliance



Freezing compartment (1)

is used for freezing fresh foods.

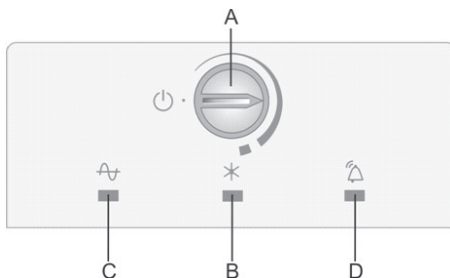
Storing basket (2)

is used for storing packages of frozen foods.

Control panel (3)

See *Operating the appliance*

Operating the appliance



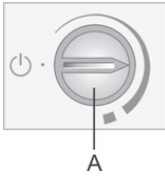
A Temperature settings knob – Switching the appliance on/off – Activating the super freeze function

B Signal light on: Super freeze function is activated

C Signal light on: The appliance is powered (there is voltage in the appliance)

D Signal light flashing: High temperature alarm

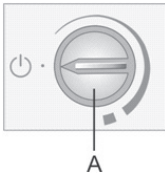
Switching on the appliance




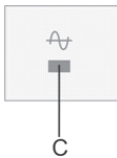
Rotate the thermostat knob **A** clockwise **towards the thicker end of the sign**.

When the appliance is switched on for the first time, there is a 24-hour delay in temperature alarm operation since the appliance will not have reached the adequate temperature. Thus, unnecessary activation of alarm is prevented.

Switching off the appliance

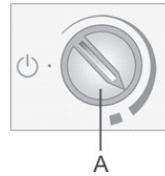


Rotate the **A** knob back to the position in which the arrow is aligned with the symbol  (appliance will remain powered, i.e. there will still be electric current in the appliance).



The signal light **C** will remain on.

Selecting the temperature in the appliance



Recommended setting for the thermostat knob **A** is half way between the **thinner and the thicker** end of the sign.

A change in the environment temperature will affect the temperature in the appliance. The thermostat knob setting should be adjusted accordingly.

Positions towards the thicker part of the sign mean a lower temperature in the appliance (cooler). Settings towards the thinner part of the marking mean a higher temperature (warmer).



Signal light **D** will flash when the temperature in the freezer rises to a level that is too high, and goes off when the temperature drops back to a level that no longer represents food spoilage hazard (see section »Troubleshooting«).

Freezing and storing frozen food

Freezing process

Maximum quantity of fresh food that can be introduced into the appliance at a time is indicated on the label with basic information on the appliance. If this quantity is exceeded, freezing quality will deteriorate, as will the quality of the already frozen food.



- Activate the super freeze function 24 hours before freezing fresh food:

- rotate the **A** button to the * (signal light **B** will light up).

After 24 hours, place the fresh food in the freezing compartment. Make sure the fresh food is not in contact with the food that is already frozen.

- When freezing smaller quantities of food (1-2 kilograms), activating the super freeze function is not required.
- After 24 hours, the food can be moved to other parts of the freezer and the freezing process can be repeated as required:
 - rotate the **A** button back to the middle position and than after 5 seconds to the position * (signal light **B** will light up).
- After the end of the freezing process, rotate the **A** dial back to the desired setting, even if the **B** signal light is not on (this means that sufficiently low temperature has already been reached).
- If the freezer boost is not deactivated manually, it will be automatically switched off after approximately 2 days. Then the temperature of the freezer compartment returns to the most recently set value (knob position remains at *).

Important warnings on freezing fresh food

- **The freezer should only be used for freezing food that is appropriate for freezing. The food should always be fresh and of adequate quality.**
- **Choose an appropriate packaging for the food and package it correctly.**

Approximate storage time of frozen food

Food	Storage time (in months)											
	1	2	3	4	5	6	7	8	9	10	11	12
Vegetable								+	+	+		
Fruit										+	+	+
Braed, Pastries			+									
Milk			+									
Ready-made meals			+									
Meat: Beef										+	+	+
Veal								+	+	+		
Pork				+	+	+						
Poultry								+	+	+		
Game						+	+	+				
Minced meat				+								
Smoked sausages	+											
Fish: lean			+									
fat	+											
Offal		+										

Defrosting of frozen food

Partially thawed or defrosted foods should be used as soon as possible. Cold air preserves the food but it does not destroy microorganisms which

- **The packaging should be airtight and watertight to prevent loss of humidity or vitamins from the food.**
- **Indicate the type of food, quantity, and freezing date on each food package.**
- **It is important that the food is frozen as quickly as possible; therefore, smaller packages should be preferred. Before freezing, the food should be cooled.**

Storage of frozen food

Store the already frozen food in the storage compartment of the freezer. The bottom section of the appliance is also intended for storage purposes. Storage baskets may be removed and food may be placed directly on the cooling shelves.

Storing commercially frozen food

The storage time and recommended temperature for storing commercially frozen food is indicated on the packaging. For storing and use, observe manufacturer's instructions.


When shopping, be careful and choose only packages of food that are appropriately packed, provided with full information, and stored in freezers where the temperature is not higher than -18°C.

Do not buy packages of food covered with frost. This indicates that the package has been thawed before at least once. Make sure the packages do not start to thaw. Temperature rise shortens the storage time of commercially frozen foods.

Maintenance and Cleaning

Freezer defrosting

Frost and ice layer deposited on the inner walls of the freezer should be defrosted when 3-5 mm thick.

- 24 hours before defrosting, activate the freezer power boost to additionally cool the food (see chapter "Freezing process").
- After 24 hours, remove the frozen food from the freezer and protect them from thawing.
- Disconnect the appliance – rotate the thermostat knob **A** to the  position and unplug the power cord from the wall outlet.
- Avoid using defrosting sprays, as they may damage the plastic parts and they may be hazardous to health.
- Water accumulated at the bottom basket of the appliance should be mopped with a sponge or highly absorbent cloth.

Cleaning the appliance

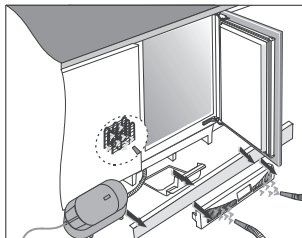
Before cleaning the appliance disconnect the cable from the power mains. Do not use abrasive cleaning agents.

- Clean the **exterior** of the appliance with water and liquid detergent.
Varnished surfaces are cleaned with a soft cloth and an alcohol based cleaning agent (for example glass cleaners). You may also use alcohol (ethanol or isopropyl alcohol).
The application of abrasive and especially aggressive cleaners, such as the stainless steel cleaners, is not appropriate for the cleaning of plastic and coated parts.
- Wash the **interior** with lukewarm water and some vinegar.
- **The air openings in the bottom rail** should be cleaned or vacuumed periodically.

Cleaning of the condenser

Dust from the condenser unit should be vacuumed in the following manner:

- push your finger through the opening in the bottom rail and release the fastener;
- pull the rail towards you and remove it;
- remove the bottom board of the kitchen cabinet;
- pull out the condenser dish;
- use a vacuum cleaner to clean the dust from the condenser;
- replace the condenser dish and the bottom rail in the opposite order.



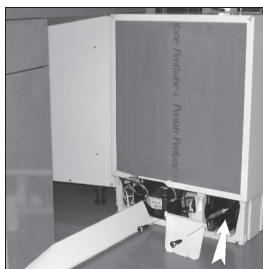
After you have cleaned the appliance, reconnect it to the power mains and put the food packages back to their place.

Periodical cleaning of the condenser

In order to optimize the operation of the appliance and save energy, it is recommended to periodically clean the dust from the condenser unit at the back of the appliance.

Disconnect the appliance from the power mains before you start cleaning it!

- Empty the contents of the appliance.
- Remove the support panel from the bottom of the kitchen cabinet.
- Remove the screws fixing the appliance to the kitchen worktop.
- Pull out the appliance to expose the condenser at the back of the appliance.
- Unscrew the screws from the condenser bonnet and remove the bonnet.
- Clean the dust and dirt from the condenser.



After cleaning return the appliance to its place, plug in the power cord and fill with food.

Switch off the appliance when not in use

If you do not intend to use the appliance for a longer period of time, disconnect the power supply, empty the appliance, defrost it and clean it. Leave the door slightly open.

? Troubleshooting

Problem:	Cause or remedy
After connecting to the power mains, the appliance does not operate:	<ul style="list-style-type: none"> • Make sure the wall outlet is powered and that the appliance is plugged in.
Cooling system has been working continuously for a long period of time:	<ul style="list-style-type: none"> • Too high environment temperature. • Door is open too often or it is left open too long. • Door is not closed appropriately (there may be dirt between the door and the refrigerator, the door may be tilted, the seal should be checked, etc.). • Too much fresh food was inserted. • Insufficient compressor and condenser cooling. Check the air circulation behind the appliance and clean the condenser.
Ice accumulation in the freezer interior is a result of:	<ul style="list-style-type: none"> • Poor door sealing. If the seal is dirty or damaged, clean or replace it. • Door is opened too often or left open too long. • Placing warm food into the freezer.
Signal light D is flashing:	<ul style="list-style-type: none"> • Frequent opening of the door, door open too long. • Door not closed properly (particle between door gasket, sagged door, damaged gasket, etc...). • Excessively long power failure. • Excessive quantity of fresh food inserted at once.
Door won't open easily:	<ul style="list-style-type: none"> • If you wish to open freezer door immediately or shortly after closing it, you may feel rather strong resistance. When the freezer door is opened, some cool air escapes from the freezer compartment and it is replaced by warm air from the environment. When this air is cooled, a sub-pressure builds up, causing resistance to door opening. After a few minutes, the condition is normalized and the door can be easily opened again.
Occurrence of murmur after closing the door:	<ul style="list-style-type: none"> • After closing the door, some murmur can occur. This phenomenon is normal and is due to pressure equalisation.

If none of the above reasons seems to match your problem, please contact the nearest service center and state the type, model and serial number as indicated on the label with basic information attached in the appliance interior.

Noise

Cooling in refrigerating-freezing appliances is enabled by the cooling system with a compressor which produces noise. How noisy the appliance is depends on where it is placed, how it is used and how old the appliance is.

- **During the operation** of the compressor the noise of liquid is heard and when the compressor is not operating, the refrigerant flow is heard.

This is a normal condition and it has no influence whatsoever on the lifetime of the appliance.

- **After starting the appliance**, the operation of the compressor and the refrigerant flow may be louder, which does not mean that something is wrong with the appliance and it has no influence on the lifetime of the appliance. Gradually the noise is reduced.

WE RESERVE THE RIGHT TO ALTER THE SPECIFICATIONS THAT DO NOT AFFECT THE OPERATION OF THE APPLIANCE.

Instructions for use of the appliance can also be found on our website at www.gorenje.com / < <http://www.gorenje.com> / >