

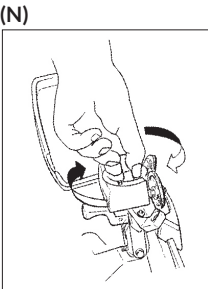
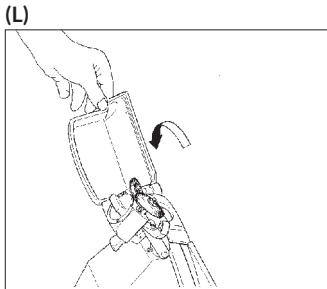
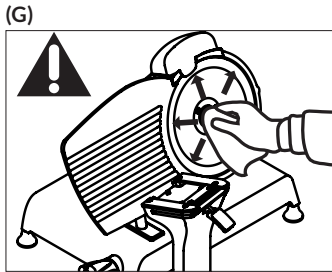
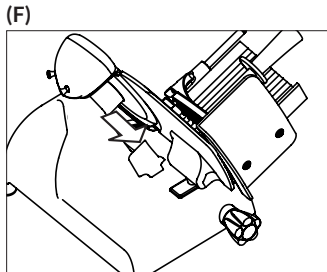
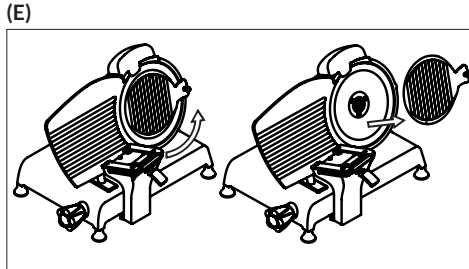
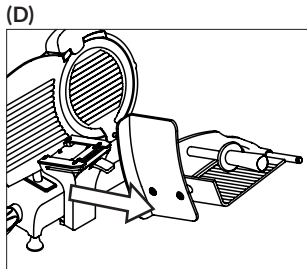
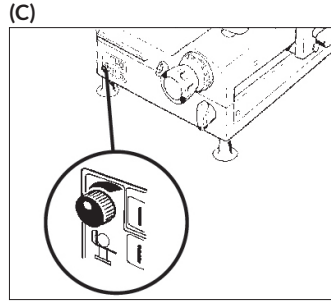
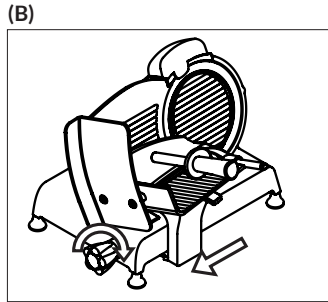
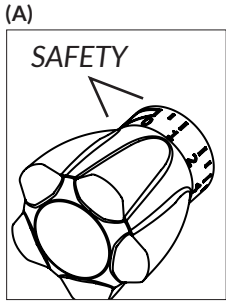


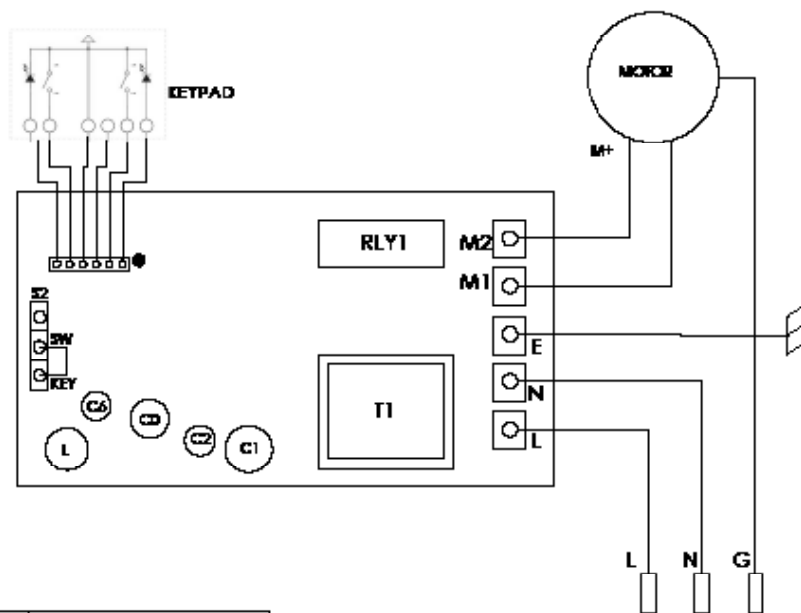
ELEVATING YOUR PASSION, SINCE 1898.

PRO LINE

PRO LINE XS 25 - 30

- | | | | |
|-----------|-----------------------|-----------|------------------------|
| EN | USER MANUAL | ES | MANUAL DEL USUARIO |
| IT | MANUALE D'USO | NL | HANDLEIDING |
| DE | GEBRAUCHSANLEITUNG | NO | BRUKSANVISNING |
| FR | MANUEL D'INSTRUCTIONS | PT | MANUAL DE INSTRUÇÕES |
| CS | NÁVOD K POUŽITÍ | RO | MANUAL DE INSTRUCȚIUNI |
| DA | BETJENINGSVEJLEDNING | SV | BRUKSANVISNING |

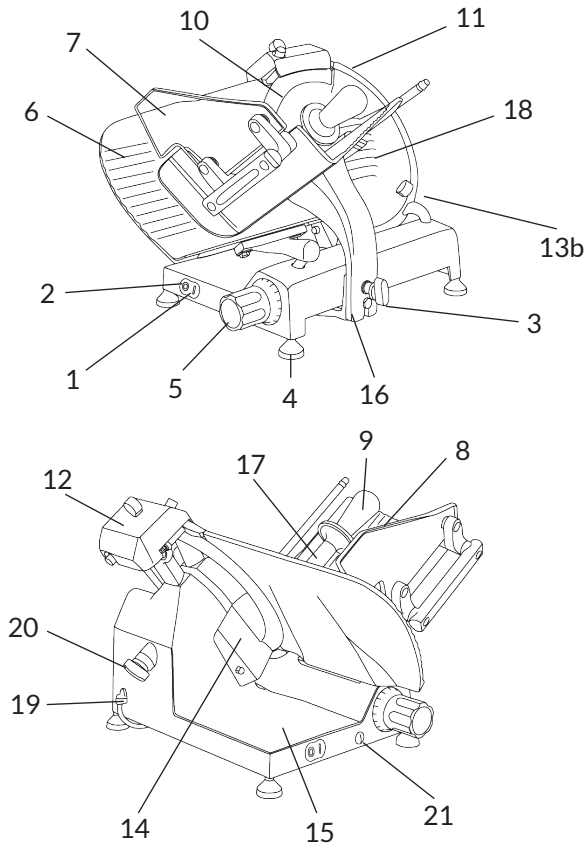




T1	transformer
RLY 1	relè
C6,C0	capacitor
C1	capacitor
C2	capacitor
L	capacitor

USER MANUAL: Electrical Slicers Pro Line

MODELS:
XS 25, XS 30



**GENERAL PLAN
OF THE MACHINE**

1. Start button
2. Stop button
3. Plate locking knob
4. Foot
5. Thickness adjustment knob
6. Thickness gauge plate
7. Safety guards
8. Meat table
9. Product press holder
10. Blade
11. Safety ring (blade guard)
12. Sharpener
- 13b. Blade cover knob for XS
14. Slice guard
15. Baseplate
16. Carriage
17. Product holder
18. Blade guard disk
19. Power cable
20. Blade cover tension rod
21. Carriage bar oiler (where it is present)

Fig. 1

DESCRIPTION

Circular blade professional slicer machine suitable for cutting only the food products of the types and within the dimensional limits indicated in this manual. The main parts of the machine are shown in the general component diagram reported in Fig. 1. Electrical diagrams are reported in Fig. 2.

DECLARATION OF CONFORMITY

The machines described in this manual comply with Directives 2006/42/CE, 2006/95/CE, 2004/108/CE, 2003/108/CE, 2011/65/CE, Regulation (EC) 1935/2004 and related harmonized standards as EN 1974:1998 +A1, EN60204-1, EN60335-1, EN60335-2-64.



SAFETY

Pay attention to the following basic safety precautions:

- read all the instructions before using the machine;
- this product is not intended to be used by children;
- operate the machine only if properly trained and in perfect psycho-physical conditions.
- do not use the machine in any way other than what indicated in this manual;
- use the machines only in full structural, mechanical and system efficiency;
- install the machine in conformity to the instructions indicated in the "Installation" section;
- install the machine in a location out of the reach of personnel unauthorized to operate it

and especially out of the reach of minors;

- stay highly concentrated when using the machine and avoid any distraction during use;
- do not allow the machine to be used by others who have not read and fully understood the content of this manual;
- do not wear baggy clothing or clothing with open sleeves;
- do not allow anyone else, other than the operator, to approach during product cutting operations;
- do not remove, cover or modify the tags located on the machine body and, in case of damage of these, replace them promptly;
- do not remove the transparent guards and do not modify or bypass any mechanical and electrical protective devices;
- slice only the permitted products, do not attempt cuts on prohibited type products;
- always keep clean and dry the sliced product resting surface, the work area all around the machine and the operator floor area;
- do not use the machine as a resting surface and do not place any objects on it other than food used for cutting operations;
- do not use the slicer when, due to normal wear, the distance between the edge of the blade and the blade guard ring exceeds 6 mm. In this case, contact the manufacturer or to one of the Authorized Service Centers to change the blade;
- do not use the machine with temporary or non-insulated cables, power strips or extension cords;
- periodically check the condition of the power supply cord on the machine body. When

necessary, have qualified personnel replacing it.

- immediately stop the machine in the event of a defect, abnormal operation, suspicion of breakdown, incorrect movement, unusual noises;
 - before cleaning or carrying out maintenance, disconnect the machine from the electrical supply;
 - use protective gloves for cleaning and maintenance operations;
 - place and remove the goods to be sliced on the sliding plate only with the carriage completely pulled back and with the thickness adjustment knob placed in the safety position (on the 0 position) (Fig. A);
 - for movement of the meat table during cutting operations use only the handle located on the arm or the product presser grip;
 - never put your hands on the food product while slicing. Always keep your hands behind the protection devices and far from the blade;
 - use of cutting accessories which were not provided by the manufacturer with the machine is prohibited.
- The manufacturer declines any responsibility coming from inappropriate use, modifications and/or repairs carried out by the user or unauthorized personnel, use of replacement parts that are not original or not specific for the machine model.
- The machine shall not be used in open areas and/or areas which are exposed to atmospheric agents and in environments with vapors, fumes or corrosive and/or abrasive powders, with risk of fire or explosion and in any case where the

use of antiexplosive components is required.


Operating conditions:

- Temperature from -5°C to +40°C
- Max. humidity 95%

DO NOT SLICE:


- frozen food products;
- food products with bones;
- any other product not intended for food use;
- contact of the aluminum components with strongly acidic or highly salted foods is not recommended.

The safety ring around the blade is made in conformity to European standards EN 1974:1998 +A1 but, in order to allow the sharpening operations, the protection in the sharpening area may not entirely eliminate the risk of cutting.

 **WARNING!** During the blade cleaning and sharpening operations, pay extra attention to keep your hands as far as possible from the unprotected area. Use of protective gloves is recommended.

INSTALLATION OF THE MACHINE

Install the machine on a flat, smooth and dry surface suitable for supporting the weight of the machine itself plus the products to be sliced.

 **WARNING!** Verify that there are no obstacles to the meat table travel and to the loading of products.


The machine must be installed in the immediate vicinity of an EEC standard outlet connect-

ed to an electrical supply system which is in conformity with the prevailing regulations for:

- magneto-thermic protection;
- automatic differential switch;
- earthing system.

Before carrying out electrical hook up verify that the characteristics of the electrical power supply is in accordance with those indicated on the machine information plate.

OPERATION


 **WARNING! Risk of injury from sharp blade!** Check that the thickness adjustment knob (5) is in the safety position (on the 0 position) (Fig. A).


1. Pull the meat table (8) all the way back (towards the operator) in the loading position (Fig. B);
2. lift the product holder (17) into the standby position;
3. place the product to be sliced on the meat table near the operator side wall. Block it with the product holder applying slight pressure;
4. adjust the slice thickness. Activate the blade (10) by pressing the start button (1). Grip the product holder handle (9) and start an alternative cutting motion;
5. at the end of the cutting operations return the thickness adjustment knob to the safety position and pull the meat table back. Stop the blade motion by pressing the stop button (2).

CLEANING

Before using, clean the machine at least once a day - or more often if necessary - and always after a long period of

inactivity.

 **WARNING! Risk of electric shock!** Before cleaning, disconnect the plug from the electrical mains socket and place the thickness adjustment knob in the safety position.

 **WARNING! Risk of injury from sharp blade!** Check that the thickness adjustment knob (5) is in the safety position (on the 0 position) (Fig. A). DO NOT DISHWASH

Products for cleaning: use only water and biodegradable mild detergent, using a soft, spongy cloth and a semi-rigid nylon brush for the sharp areas of the plate and the product holder. Do not clean the machine with jets of water or steam or similar methods.

Dismantling:

- the meat table:
 - 1) free the meat table, rotating the presser clamp in the clockwise direction. With the thickness adjustment knob in the safety position, pull back the carriage all the way until the travel limit toward the operator: a metallic click notifies the operator that the meat table is locked; 2) remove the product presser; 3) extract the product holder unit sliding the meat table from its support (Fig. D);
- the blade cover:
 - 1) rotating in the anticlockwise direction, loosen the blade cover tension rod grip; 2) to raise the blade disc, press on the grip in the direction of the blade; 3) lift the blade cover (Fig. E);
- the slice deflector:
 - loosen the fixing screw (if

is present) and remove the slice deflector (Fig. F).

⚠ WARNING: Risk of injury from sharp blade! For the cleaning operations of the sharp areas of the plates, the product holder and the blade, use of protective gloves is also recommended.

Cleaning:

- the blade: press a damp cloth on the surface of the blade and move it slowly from the center toward the outside on the blade cover side and the opposite side (Fig. G). In the same way dry it using a dry cloth;
- the safety ring: use a soft brush to clean the area between the blade and the safety ring;
- the machine body: use a damp cloth or a sponge, rinsing with water. Dry carefully.

MAINTENANCE

Blade Sharpening

Frequency and duration of sharpening depend on the use of the equipment.

⚠ WARNING! If the machine is equipped with its specific optional sharpener, follow the instructions. Otherwise, contact the manufacturer or to one of the Authorized Service Centers (see SERVICE).

For sharpening, follow the instructions:

1. Position the thickness adjustment knob in the safety position (Fig. A);
2. Pull the meat table all the way back (Fig. B);
3. Lift the sharpening device cover (Fig. L);
4. Press the start button;

5. press the sharpening button for 10-15 seconds (Fig. O1). Press the deburring button for 3-5 seconds (Fig. O2).
6. Stop the blade motion by pressing the stop button;
7. move the device back to the initial position;
8. Lower the sharpening device guard cover;
9. Proceed with cleaning the slicer.

Lubrication

After a regular period of use, it may be necessary to lubricate the carriage guides. We recommend executing this operation every 3 months. For lubrication, only use acid free oil (we recommend Vaseline oil). Do not use vegetable oil.

SERVICE

No user-serviceable parts are inside. Refer servicing to qualified personnel. All the repair and replacement operations (like blade replacement, replacement of the motor belt, replacement of the sub-baseplate electrical system components, repair of structural parts, repair and/or re-placement of sub-baseplate components, or similar) shall be executed exclusively by personnel authorized by the manufacturer.

In the event service is needed, you may return your food slicer to the manufacturer or to one of the Authorized Service Centers.

For information about service centers please contact us at: service@berkelinternational.com

⚠ WARNING! The blade placement is mandatory if distance between the edge of the blade and the internal edge

of the guard exceeds 6 mm.

WARRANTY AND RESPONSIBILITY

The manufacturer supplies machines with a limited warranty of 24 months from the purchasing date. The warranty is extended only to defects that arise under intended use conditions and proper use. The warranty does not cover defects resulting from faults caused by transport, purchaser's incompetence or negligence, improper installation or earthing, unauthorised interventions, natural wear and tear, voltage variations greater than 10% of the nominal value. Moreover, the warranty does not cover components intrinsically subject to wear, such as blades and grinders, except in the event of evident manufacturing defects. The manufacturer declines any direct and indirect responsibility coming from:

- failure to observe the instructions in this manual;
- use which does not conform to prevailing specific regulations in the country of installation;
- unauthorised modifications and/or repairs carried out on the machine;
- use of non original accessories and replacement parts;
- exceptional events.

Transfer of ownership of the machine automatically defaults the manufacturer's liability for the machine in question with the exception of observance of directive 2006/42/CE (liability for any manufacturing defects of the product).

The Identification tag on the base-plate indicates manufacturer, machine, technical infor-

mation and CE marking.

DEMOLITION OF THE SLICER

The machines are comprised of:

- aluminum/magnesium alloy structure;
- inserts and various components and stainless steel;
- electrical parts and electrical cables;
- electric motor;
- plastic material, etc.

If dismantling and demolition are entrusted to third parties, use only companies authorized for disposal of the above-men-

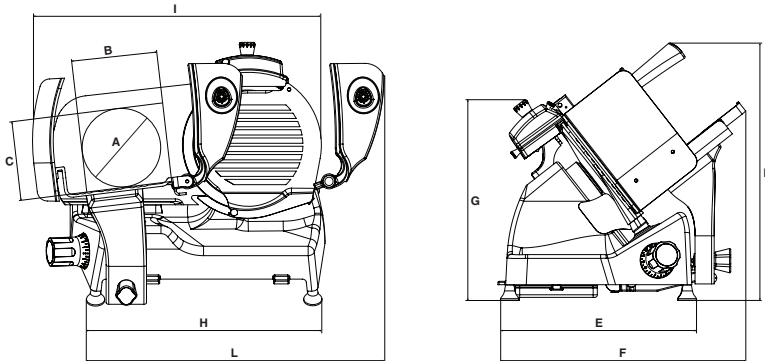
tioned materials.

The appliance complies with the EU Directive 2012/19/UE. Packaging materials and appliances contain recyclable materials. Your appliance contains valuable materials that can be recovered or can be recyclable. Separation of the remaining waste materials into different types facilitates the recycling of valuable raw materials. Leave the appliances at a collection point. You can obtain information on disposal from your local authorities.

Troubleshooting

PROBLEM	REASON	REMEDY
The machine does not start when the on button is pressed	Lack of power or defective control circuit	Check that the plug has been correctly inserted. If the machine still does not start, contact the Service Center
The machine starts when the on button is pressed but the operation indicator light does not turn on	The indicator light may be defective	Do not use the machine with the indicator light off. Contact the Service Center
Excessive resistance to cutting of the product	The blade is dull	Sharpen the blade
The blade slows down or stops while cutting the product	The drive belt may be loose or damaged	Contact the service center in order to tension or replace the belt
The machine does not stop when the stop button is pressed	The control circuit may be defective	Immediately stop the machine, removing the plug from the mains outlet. Contact the service center
Excessive resistance in motion of the sliding components (product holder, carriage)	The lubrication of the sliding guide may not be sufficient	Carry out periodical lubrication as described in this manual

PRO LINE XS 25 - XS 30

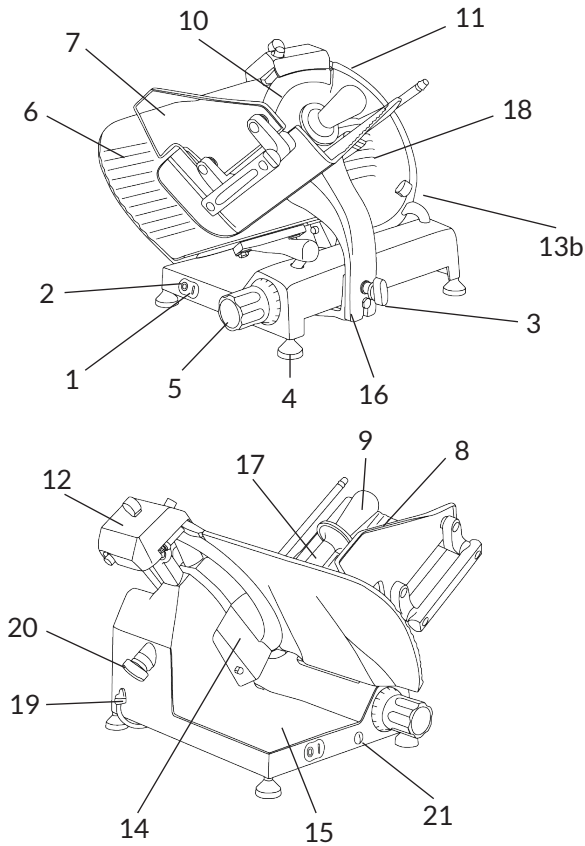


MODEL	XS 25	XS 30
A	188 mm	215 mm
B	225 mm	245 mm
C	178 mm	195 mm
D	505 mm	545 mm
E	378 mm	415 mm
F	480 mm	595 mm
G	445 mm	435 mm
H	450 mm	506 mm
I	565 mm	640 mm
L	575 mm	645 mm
SPECIFICATIONS		
∅ Blade	250 mm	300 mm
Cut thickness	0 - 14 mm	0 - 14 mm
Net weight	19 kg	26 kg
Cutting capacity (rect.)	225x178 mm	245x195 mm
Cutting capacity (circ.)	188 mm	230 mm
Motor rating	0,33 kW	0,35 kW
Specification electrical	230/50/1 V - Hz	230/50/1 V - Hz 400/50/3 V - Hz

Note: As we actually strive to improve our products, specifications are necessarily subject to change without notice.

MANUALE D'USO: Affettatrici elettriche Pro Line

MODELLI:
XS 25, XS 30



COMPONENTI PRINCIPALI

1. Pulsante di avviamento
2. Pulsante di arresto
3. Manopola bloccaggio piatto
4. Piedino
5. Manopola regolazione spessore fetta
6. Piastra spessimetro (vela)
7. Protezione di sicurezza
8. Piatto portamerce
9. Maniglia del pressamerce
10. Lama
11. Anello di sicurezza (paralama)
12. Affilatoio
- 13b. Manopolina coprilama per XS
14. Parafetta
15. Basamento
16. Carrello
17. Pressamerce
18. Disco paralama
19. Cavo di alimentazione
20. Tirante coprilama
21. Oliatore barra carrello (dove presente)

DESCRIZIONE

Macchine affettatrici professionali con lama circolare, progettate per affettare esclusivamente prodotti alimentari del tipo e nei limiti dimensionali indicati nel presente manuale. Le parti principali che compongono la macchina sono illustrate alla figura 1. Lo schema elettrico è riportato alla figura 2.

DICHIARAZIONE DI CONFORMITÀ

Le macchine descritte in questo manuale sono conformi alle direttive 2006/42/CE, 2006/95/CE, 2004/108/CE, 2003/108/CE, 2011/65/CE, al regolamento europeo (EC) 1935/2004 ed ai relativi standard quali EN 1974:1998 +A1, EN60204-1, EN60335-1, EN60335-2-64.



SICUREZZA

Per la vostra sicurezza, fate attenzione alle seguenti istruzioni:

- leggere attentamente tutte le istruzioni prima di usare la macchina;
- il prodotto non è indicato per l'utilizzo da parte dei bambini;
- utilizzare la macchina solo se propriamente istruiti e in perfetto stato psico-fisico;
- non usare la macchina in alcun modo differente da come indicato nel presente manuale;
- installare la macchina in conformità alle istruzioni riportate al paragrafo 'Installazione';
- installare la macchina in luogo al di fuori della portata di personale estraneo alle operazioni relative all'impiego e soprattutto di minori;

- utilizzare la macchina con grande concentrazione, non distrarsi durante l'uso;

- evitare l'uso da parte di personale che non abbia letto e compreso a fondo il contenuto del presente manuale;

- non indossare indumenti svollazzanti o con maniche aperte;

- non permettere ad alcuno, al di fuori dell'operatore, di avvicinarsi durante l'operazione di taglio del prodotto;

- non rimuovere, coprire o modificare le targhette collocate sul corpo macchina e, in caso di danneggiamento delle stesse, sostituirle prontamente;

- non rimuovere le protezioni trasparenti e non modificare o escludere le protezioni meccaniche ed elettriche;

- affettare unicamente i prodotti consentiti, non tentare prove di taglio con prodotti di tipo proibito;

- mantenere la zona di appoggio del prodotto affettato, la zona di lavoro tutt'intorno alla macchina e il piano pavimento operatore sempre puliti ed asciutti;

- non utilizzare la macchina come superficie d'appoggio e non appoggiarvi alcuno oggetto estraneo alle normali operazioni di taglio;

- non usare l'affettatrice quando, a seguito di normale usura, la distanza tra il filo della lama e l'anello para lama ha superato i 6 mm, in tal caso contattare il produttore o uno dei Centri Servizio Autorizzati per cambiare la lama;

- non impiegare la macchina con collegamenti elettrici di tipo 'volante', a mezzo di cavi provvisori o non isolati;

- controllare periodicamente lo stato del cavo di alimentazione e del pressacavo sul cor-

po macchina, sostituirlo prontamente. Quando necessario rivolgendosi per l'intervento a personale qualificato;

- arrestare immediatamente la macchina in caso di difetto, funzionamento anomalo, sospetto di rottura, movimenti non corretti, rumori insoliti;

- prima di eseguire la pulizia o di effettuare interventi di manutenzione scollegare la macchina dalla rete di alimentazione elettrica;

- utilizzare guanti protettivi per le operazioni di pulizia e di manutenzione;

- porre e rimuovere la merce da affettare sul piatto scorrevole solo con il carrello completamente arretrato e con la manopola regolazione spessore posizionata in sicurezza (Fig. A);

- per il movimento del piatto portamerce durante l'operazione di taglio usare esclusivamente la maniglia di manovra posta sul braccio o impugnatura del pressamerce;

- non è ammesso l'uso di accessori per il taglio che non siano stati forniti dal costruttore a corredo della macchina.

Il costruttore declina ogni responsabilità diretta ed indiretta derivante da uso inappropriato, modifiche e/o riparazioni non autorizzate effettuate sulla macchina non autorizzate, utilizzo di accessori e ricambi non originali.

La macchina non può essere impiegata in luoghi aperti e/o esposta agli agenti atmosferici e in ambienti con vapori, fumi o polveri corrosivi e/o abrasivi, con rischio di incendio o esplosione e comunque ove sia prescritto l'impiego di componenti antideflagranti.

Condizioni ambientali d'uso:

- Temperatura da -5°C a +40°C
- Umidità max 95%

NON AFFETTARE:

- prodotti alimentari congelati;
- prodotti alimentari surgelati;
- prodotti alimentari con ossa (carne e pesce);
- ogni altro prodotto non destinato all'uso alimentare;
- si sconsiglia il contatto dei componenti in alluminio con alimenti fortemente acidi o fortemente salati.

L'anello di sicurezza attorno alla lama è realizzato in conformità alla norma europea EN 1974:1998 +A1, tuttavia, la protezione nell'area di affilatura non elimina totalmente il rischio di taglio.

ATTENZIONE! Durante le operazioni di pulizia lama ed affilatura, fare estrema attenzione a tenere le mani il più lontano possibile dall'area non protetta. Si raccomanda l'uso di guanti di protezione.

INSTALLAZIONE

Installare la macchina su di un piano ben livellato, liscio, asciutto ed adatto a sostenere il peso della macchina stessa più la merce da affettare.

AVVERTENZA: Verificare che non ci siano impedimenti alla corsa del piatto ed al caricamento della merce da affettare sul piatto stesso.

La macchina deve essere installata nelle immediate vicinanze di una presa a norme CEE derivata da un impianto conforme alle normative vigenti provvisto di:

- protezione magneto-termica;

- interruttore automatico differenziale;

- impianto di messa a terra.

Prima di eseguire l'allacciamento verificare che le caratteristiche della rete di alimentazione elettrica concordino con quelle indicate sulla targhetta dati della macchina.

USO DELL'AFFETTATRICE

ATTENZIONE! Lama affilata, pericolo di taglio!

Controllare che la manopola di regolazione spessore fetta (5) sia in posizione di sicurezza (in posizione 0) (Fig. A).

1. Arretrare completamente il piatto portamerce (8) verso l'operatore, in posizione di carico (Fig. B);

2. sollevare il pressamerce (17) e porlo in posizione di riposo;

3. appoggiare la merce da affettare sul piatto a ridosso della sponda del piatto, lato operatore. Bloccare con il pressamerce esercitando una leggera pressione;

4. regolare lo spessore della fetta. Azionare la lama (10) premendo il pulsante di accensione

(1). Impugnare la maniglia del pressamerce (9) ed iniziare il movimento alternativo di taglio;

5. al termine delle operazioni di taglio riportare in sicurezza la manopola regolazione spessore ed arretrare il carrello. Arrestare il movimento della lama premendo il pulsante di spegnimento (2).

PULIZIA

Mantenere una pulizia accurata della macchina. Se utilizzata, deve essere pulita almeno una volta al giorno o con maggior frequenza se necessario. Dopo un periodo di inattività si rac-

comanda la pulizia anche prima dell'utilizzo.

ATTENZIONE! Pericolo di scossa elettrica! Prima di procedere alla pulizia della macchina, scollegare la spina della rete di alimentazione elettrica e portare in sicurezza la manopola di regolazione spessore.

ATTENZIONE! Lama affilata, pericolo di taglio!

Controllare che la manopola di regolazione spessore fetta (5) sia in posizione di sicurezza (in posizione 0) (Fig. A).

NON LAVARE NESSUN COMPONENTE IN LAVASTOVIGLIE!

Prodotti per la pulizia: utilizzare esclusivamente acqua e detersivo schiumoso biodegradabile per stoviglie, impiegando un panno morbido, spugnoso e uno spazzolino di nylon semirigido per le zone del piatto e del pressamerce appuntito. Non pulire la macchina con getti d'acqua o vapore o con metodi similari.

Procedere alla rimozione di:

- piatto portamerce:

1) liberare il piatto portamerce ruotando in senso antiorario l'impugnatura di fissaggio. Con la manopola di regolazione spessore in sicurezza, arretrare il supporto piatto completamente, sino a fondo corsa, verso l'operatore: uno scatto metallico avvisa l'operatore che il piatto portamerce è bloccato; 2) sfilare il pressamerce; 3) estrarre il piatto portamerce sfilando il piatto dal supporto (Fig. D);

- coprilama:

1) allentare ruotando in sen-

so antiorario l'impugnatura tirante del disco coprilama; 2) per sollevare il disco della lama premere sull'impugnatura nella direzione della lama; 3) sollevare il disco coprilama (Fig. E);

- parafetta:

allentare la vite di fissaggio dove presente e togliere il parafetta (Fig. F).

⚠ ATTENZIONE! Lama affilata, pericolo di taglio! Per le operazioni di pulizia dell'area di affilatura, del piatto, del pressamerce e della lama si raccomanda l'uso di guanti di protezione.

Proseguire con la pulizia di:

- lama: premere un panno umido sulla superficie della lama e spostarlo lentamente dal centro verso l'esterno, come in figura (Fig. G), sul lato corpilama e sul lato opposto. Asciugare, nello stesso modo, utilizzando un panno asciutto;

- anello di sicurezza: usare uno spazzolino di nylon semirigido per pulire l'area compresa tra la lama e l'anello di protezione;

- corpo macchina: pulire il corpo macchina con un panno umido o una spugna risciacquando acqua. Asciugare con cura.

MANUTENZIONE

Affilatura lama

Periodicità e durata dell'affilatura dipendono dall'utilizzo dell'apparecchiatura.

⚠ ATTENZIONE! Se la macchina è dotata del gruppo affilatoio incorporato, si raccomanda di seguire attentamente le istruzioni. In caso contrario, contattare il produttore o uno dei Centri Servizi Autorizzati (si veda ASSISTENZA).

Per l'affilatura, seguire le istruzioni:

1. posizionare in sicurezza la manopola regolazione spessore fetta (Fig. A);
2. arretrare completamente il piatto portamerce (Fig. B);
3. sollevare la copertura del dispositivo di affilatura (Fig. L);
4. premere il pulsante di accensione;
5. premere il bottone di affilatura per 10-15 secondi (Fig. O1) poi premere il pulsante di sbavatura per 3-5 secondi (Fig. O2)
6. arrestare il movimento della lama premendo il pulsante di spegnimento;
7. riportare il dispositivo nella posizione iniziale;
8. abbassare la copertura di protezione del dispositivo di affilatura
9. procedere alla pulizia dell'affettatrice.

Lubrificazione

Dopo un certo periodo di regolare utilizzo della macchina, potrebbe essere necessario lubrificare le guide del carrello. Consigliamo comunque di effettuare questa operazione ogni 3 mesi. Per lubrificare, usare solo oli non acidi (consigliamo olio di vaselina). Non usare oli vegetali.

ASSISTENZA

Non sono forniti pezzi di ricambio all'interno dell'imballo. Tutte le attività di riparazione e sostituzione (quali sostituzione o riparazione di lama, cinghia, componenti elettrici, parti strutturali, etc.) devono essere svolte esclusivamente da personale autorizzato dal produttore stesso.

Nel caso fosse necessaria una

riparazione, si raccomanda di ritornare la macchina al produttore o ad un Centro Servizi Autorizzato.

Per informazioni riguardo i centri servizi, rivolgersi a: service@berkelinternational.com.

⚠ ATTENZIONE! E' obbligatorio sostituire la lama quando la distanza tra il filo della lama stessa ed il bordo interno della protezione supera i 6 mm.

GARANZIA E RESPONSABILITÀ

Il produttore fornisce macchine con una garanzia di durata 24 mesi, a partire dalla data di acquisto. La garanzia copre solo i difetti riscontrati facendone un uso appropriato e secondo le condizioni d'uso previste dal manuale. La garanzia non copre difetti dovuti a trasporto, incompetenza o negligenza dell'acquirente, installazione o posizionamento improprio, danni da usura, voltaggio superiore al 10% del valore nominale. Inoltre, la garanzia non copre componenti intrinsecamente soggetti a usura, quali la lama e le mole dell'affilatoio, eccetto nel caso di evidente difetto di produzione.

Il produttore declina qualsiasi responsabilità diretta e indiretta derivante da:

- mancata osservanza delle istruzioni presenti nel manuale;
- uso non conforme alla normativa dominante nel paese di installazione;
- modifiche e/o riparazioni sulla macchina non autorizzate;
- uso di accessori e parti di ricambio non originali;
- eventi eccezionali.

Il trasferimento di proprietà della macchina, comporta

l'immediato sollevamento da ogni responsabilità da parte del produttore, con eccezione per l'osservanza della direttiva 2006/42/CE (responsabilità per qualsiasi difetto di produzione del prodotto).

La targhetta di identificazione sulla base della macchina registra il produttore, la macchina, le informazioni tecniche ed il marchio CE.

DEMOLIZIONE E SMALTIMENTO

La macchina è composta da:

- lega d'alluminio;
- inserti e componenti vari in acciaio inossidabile;

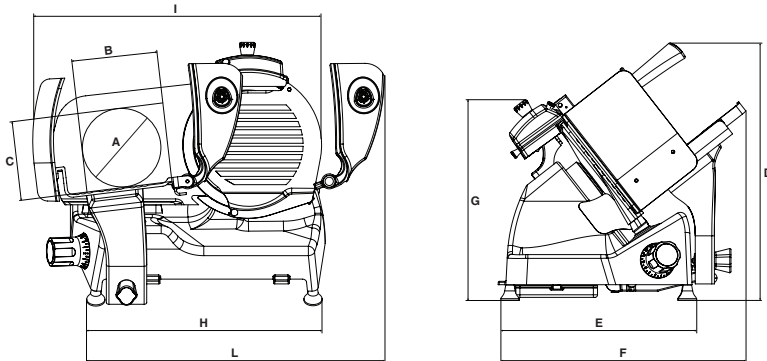
- parti elettriche e cavi elettrici;
- motore elettrico;
- plastica, etc.

Se lo smaltimento è affidato a terze parti, rivolgersi solo a compagnie autorizzate per l'eliminazione dei materiali sopra indicati. Il dispositivo contiene materiali che possono essere recuperati o riciclati. Una corretta raccolta differenziata ne facilita il riciclaggio. A fine vita depositare il dispositivo presso in punto di raccolta. E' possibile ottenere informazioni sullo smaltimento dalle autorità locali.

Risoluzione problemi

INCONVENIENTE	CAUSA PROBABILE	RIMEDIO
Premendo il pulsante di accensione la macchina non si avvia	Mancanza di alimentazione o circuito di controllo difettoso	Controllare che la spina sia inserita correttamente, se il problema persiste contattare il Centro Servizi
Premendo il pulsante di avviamento la macchina si avvia ma non si accende l'indicatore luminoso di funzionamento	Spia difettosa	Non utilizzare la macchina con indicatore luminoso spento. Interpellare il servizio assistenza
Eccessiva resistenza al taglio del prodotto	La lama non è affilata	Affilare la lama
La lama sotto sforzo rallenta o si arresta	La cinghia potrebbe essere allentata o danneggiata	Contattare il centro servizi per regolare o sostituire la cinghia
Premendo il pulsante di arresto la macchina non si ferma	Circuito di comando difettoso	Arrestare immediatamente la macchina staccando la spina dalla rete ed interpellare immediatamente il Centro Servizi
Eccessiva resistenza alla movimentazione dei componenti scorrevoli (pressamerce, carrello)	Lubrificazione guide di scorrimento non effettuata periodicamente	Effettuare la lubrificazione periodica

PRO LINE XS 25 - XS 30

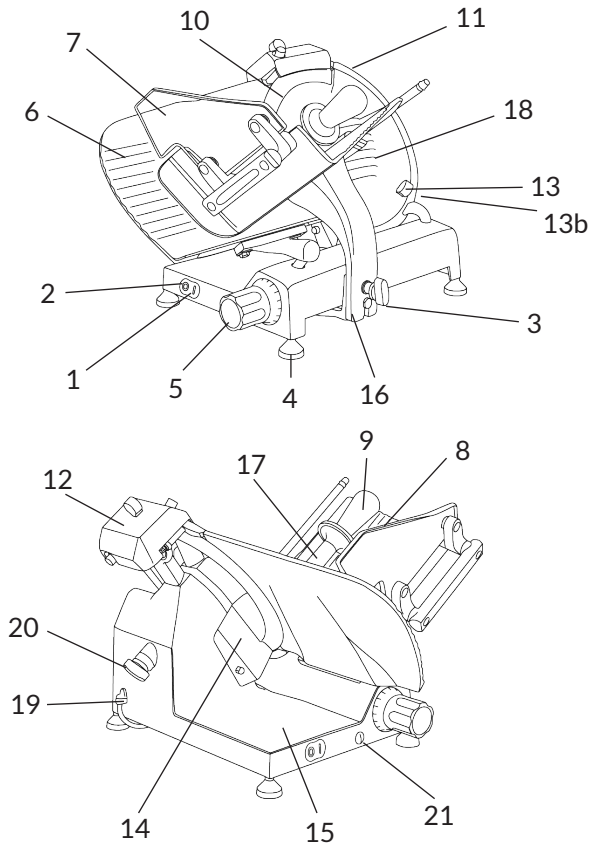


MODELLO	XS 25	XS 30
A	188 mm	215 mm
B	225 mm	245 mm
C	178 mm	195 mm
D	505 mm	545 mm
E	378 mm	415 mm
F	480 mm	595 mm
G	445 mm	435 mm
H	450 mm	506 mm
I	565 mm	640 mm
L	575 mm	645 mm
SPECIFICHE		
Ø Lama	250 mm	300 mm
Spessore taglio	0 - 14 mm	0 - 14 mm
Peso netto	19 kg	26 kg
Capacità di taglio (rett.)	225x178 mm	245x195 mm
Capacità di taglio (circ.)	188 mm	230 mm
Potenza motore	0,33 kW	0,35 kW
Specifiche elettriche	230/50/1 V - Hz	230/50/1 V - Hz 400/50/3 V - Hz

Nota: A seguito della continua ricerca per migliorare sempre i nostri prodotti, le specifiche tecniche sono soggette a possibili variazioni.

GEBRAUCHSANLEITUNG: Elektrische aufschnittmaschinen Pro Line

MODELLE:
XS 25, XS 30



HAUPTBESTANDTEILE

1. Starttaster
2. Stopptaster
3. Schlittensperrknopf
4. Fuss
5. Reglerknopf für die schnittdicke
6. Platte führerlehre
7. Sicherheitseinrichtungen
8. Schneidgutplatte
9. Griff anschlagplatte
10. Messer
11. Sicherheitsring (messerschutz)
12. Schleifvorrichtung
- 13b.
14. Knopf messerhaube für XS
15. Resthalter
16. Sockel
17. Schlitten
18. Anschlagplatte
19. Messerschutzscheibe
20. Stromkabel
21. Fixierschraube Schlittenöler (wo vorhanden)

BESCHREIBUNG

Professionelle Aufschnittmaschinen mit kreisrundem Messer, die ausschließlich zum Aufschneiden von Lebensmitteln des Typs und der Größe bestimmt sind, die in der vorliegenden Anleitung genannt werden. Die Hauptbestandteile des Gerätes werden in Abbildung 1 gezeigt. Der Schaltplan ist in Abbildung 2 dargestellt.

KONFORMITÄTSERKLÄRUNG

Die in dieser Anleitung beschriebenen Geräte sind konform mit den Richtlinien 2006/42/EG, 2006/95/EG, 2004/108/EG, 2003/108/EG und 2011/65/EG, mit der Verordnung (EG) Nr. 1935/2004 sowie den entsprechenden Normen wie EN 1974:1998 +A1, EN60204-1, EN60335-1 und EN60335-2-64.



SICHERHEIT

Zu Ihrer Sicherheit möchten wir Sie bitten, unbedingt die folgenden Anweisungen zu befolgen:

- Bevor Sie das Gerät benutzen, lesen Sie aufmerksam alle Anweisungen;
- Das Produkt ist nicht zum Gebrauch durch Kinder geeignet;
- Verwenden Sie das Gerät nur nach entsprechender Anweisung und wenn Sie sich in einwandfreiem körperlichem und geistigem Zustand befinden;
- Verwenden Sie das Gerät auf keinen Fall anders als in der vorliegenden Anleitung beschrieben;
- Installieren Sie das Gerät in Übereinstimmung mit den An-

weisungen im Abschnitt "Installation";

- Stellen Sie das Gerät an einem Ort auf, zu dem Unbefugte und vor allem Minderjährige keinen Zugang haben;
- Seien Sie beim Verwenden des Gerätes stets hochkonzentriert und lassen Sie sich nicht ablenken;
- Lassen Sie das Gerät nicht von Personen verwenden, die diese Anleitung nicht gelesen und verstanden haben;
- Tragen Sie bei der Verwendung keine flatternden Kleidungsstücke oder weiten Ärmel;
- Gestatten Sie während des Schneidvorgangs niemandem, außer dem Bediener, sich dem Gerät zu nähern;
- Die Beschilderung am Gerät darf nicht entfernt, überdeckt oder verändert werden und ist im Falle einer Beschädigung umgehend zu ersetzen;
- Die transparente Schutzvorrichtung darf nicht entfernt und die mechanischen und elektrischen Schutzvorrichtungen dürfen nicht verändert werden;
- Es dürfen ausschließlich die zugelassenen Produkte aufgeschnitten werden; versuchen Sie niemals, nicht zugelassene Produkte zu schneiden;
- Halten Sie den Ablagebereich für die Aufschnittware, den gesamten Arbeitsbereich um das Gerät und den Fußboden im Arbeitsbereich immer sauber und trocken;
- Nutzen Sie das Gerät nicht als Fläche zum Abstützen oder zum Ablegen von Gegenständen, die nicht für den Schneidvorgang erforderlich sind;
- Benutzen Sie die Aufschnittmaschine nicht, wenn der Abstand zwischen dem Messer und dem Sicherheitsring des

Messers 6 mm infolge der normalen Abnutzung übersteigt. Wenden Sie sich in diesem Fall an den Hersteller oder an eine autorisierte Kundendienststelle, um das Messer auswechseln zu lassen;

- Benutzen Sie das Gerät nicht mit provisorischen oder nicht isolierten „fliegenden“ elektrischen Verbindungen;
 - Kontrollieren Sie regelmäßig den Zustand des Stromkabels und der Kabeldurchführung am Gerät und ersetzen Sie diese bei Bedarf zeitnah. Wenden Sie sich dafür an Fachpersonal;
 - Halten Sie das Gerät bei einem Defekt, ungewöhnlicher Funktionsweise, Verdacht auf einen Bruch, nicht korrekten Bewegungen oder ungewöhnlichen Geräuschen sofort an;
 - Trennen Sie das Gerät vor Reinigungs- oder Instandhaltungsarbeiten immer erst vom Stromnetz.
 - Tragen Sie bei Reinigungs- oder Instandhaltungsarbeiten immer Schutzhandschuhe;
 - Legen Sie die aufzuschneidende Ware nur auf den Schlitten bzw. entfernen Sie sie von selbigem, wenn dieser vollständig zurückgesetzt ist und sich der Reglerknopf für die Schnittdicke in der sicheren Position befindet (Abb. A);
 - Verwenden Sie zum Bewegen der Schneidgutplatte ausschließlich den am Arm angebrachten Manövriergreif oder den Griff der Anschlagplatte;
 - Es ist nicht zulässig, für das Aufschneiden andere Zubehörteile als jene zu benutzen, die vom Hersteller für die Ausstattung des Gerätes vorgesehen sind.
- Der Hersteller übernimmt keinerlei direkte oder indirekte Verantwortung für Schäden

infolge unsachgemäßer Verwendung, nicht autorisierter Änderungen und/oder Reparaturen am Gerät sowie der Verwendung nicht originaler Zubehör- und Ersatzteile.

Das Gerät darf nicht im Freien bzw. an Orten verwendet werden, wo es den Witterungseinflüssen ausgesetzt ist. Außerdem darf es nicht in Umgebungen mit Dampf, Rauch oder korrosiven bzw. abrasiven Pulvern, mit Brand- oder Explosionsgefahr oder in Umgebungen benutzt werden, in denen die Verwendung von Explosionsschutzkomponenten vorgeschrieben ist.

Umgebungsbedingungen für den Betrieb:

- Temperatur:
zwischen -5°C und +40°C
- Max. Feuchtigkeit 95%

NICHT AUFSCHNEIDEN:

- gefrorene Lebensmittel;
- tiefgekühlte Lebensmittel;
- Lebensmittel mit Knochen (Fleisch und Fisch);
- alle anderen nicht zu Ernährungszwecken vorgesehenen Produkte;
- Der Kontakt der Aluminiumkomponenten mit stark sauren oder stark gesalzenen Lebensmitteln ist zu vermeiden.

Der Sicherheitsring um das Messer ist im Einklang mit der europäischen Norm EN 1974:1998 +A1 konstruiert; trotzdem beseitigt der Schutz die Schneidgefahr im Bereich der Schneide nicht vollständig.

! ACHTUNG! Halten Sie Ihre Hände beim Reinigen und Schleifen des Messers unbedingt möglichst weit vom nicht geschützten Bereich

entfernt. Es wird das Tragen von Schutzhandschuhen empfohlen.

INSTALLATION

Stellen Sie das Gerät auf eine gut nivellierte, glatte, trockene und dem Gewicht des Gerätes und des Schneidgutes angemessene Fläche.

! ACHTUNG: Stellen Sie sicher, dass die Bewegung des Schlittens und das Aufladen des Schneidguts auf diesen durch nichts beeinträchtigt werden.

Das Gerät muss in unmittelbarer Nähe einer Steckdose gemäß EWG-Richtlinie installiert werden, die nach den geltenden Normen mit Folgendem ausgestattet ist:

- FI/LS-Schalter;
- automatischer Fehlerstromschutzschalter;
- Erdungsanlage.

Vergewissern Sie sich, bevor sie das Gerät anschließen, dass die Eigenschaften des Stromnetzes denen auf dem Typenschild des Gerätes entsprechen.

GEBRAUCH DER AUFSCHNITTMASCHINE

! ACHTUNG! Scharfes Messer, Schneidgefahr! Kontrollieren Sie, dass sich der Reglerknopf für die Schnittdicke (5) in der sicheren Position (Position 0) befindet (Abb. A).

1. Setzen Sie die Schneidgutplatte (8) vollständig zurück in Richtung Bediener und bringen Sie sie so in die Beladeposition (Abb. B);
2. Heben Sie die Anschlagplatte

(17) an und bringen Sie sie in die Ruhestellung;

3. Legen Sie die Aufschnittware auf die Platte neben der Seitenwand der Platte auf der Bedienerseite. Halten Sie die Anschlagplatte fest, indem Sie einen leichten Druck ausüben;
4. Stellen Sie die Scheibendicke ein. Betätigen Sie das Messer (10) durch Betätigen der Start-Taste. Greifen Sie den Griff der Anschlagplatte (9) und beginnen Sie mit der abwechselnden Schneidbewegung;
5. Bringen Sie den Reglerknopf der Schnittdicke am Ende des Schneidvorganges wieder in die sichere Position und setzen Sie den Schlitten zurück. Halten Sie die Bewegung des Messers durch Betätigen der Stopp-Taste (2) an.

REINIGUNG

Halten Sie das Gerät stets sauber. Wenn das Gerät genutzt wird, muss es mindestens einmal am Tag oder, bei Bedarf, häufiger gereinigt werden. Wenn das Gerät länger nicht genutzt wurde, sollte es auch vor der Wiederbenutzung gereinigt werden.

! ACHTUNG! Stromschlaggefahr! Bevor Sie mit der Reinigung des Gerätes beginnen, ziehen Sie seinen Stecker aus der Steckdose und bringen Sie den Reglerknopf der Schnittdicke in die sichere Position.

! ACHTUNG! Scharfes Messer, Schneidgefahr! Kontrollieren Sie, dass sich der Reglerknopf für die Schnittdicke (5) in der sicheren Position (Position 0) befindet (Abb. A).

WASCHEN SEIN KEIN GERÄTE-TEIL IM GESCHIRRSPÜLER!

Reinigungsmittel:

Verwenden Sie ausschließlich warmes Wasser und schäumendes, biologisch abbaubares Geschirrspülmittel, ein weiches Schwammtuch und eine mittelharte Nylonbürste für die spitzen Teile der Schneidgut- und der Anschlagplatte. Reinigen Sie das Gerät nicht mit Strahlwasser, Dampf oder ähnlichen Methoden.

Entfernen Sie Folgendes:

- Schneidgutplatte:

1) Die Schneidgutplatte lösen, indem der Feststellgriff im Uhrzeigersinn gedreht wird. Bei gesichertem Reglerknopf für die Schnittdicke den Schlittentisch vollständig, bis zum Anschlag und in Richtung Bediener zurückbewegen: ein metallisches Klicken weist den Bediener darauf hin, dass die Schneidgutplatte eingerastet ist; 2) Die Anschlagplatte abnehmen; 4) Die Schneidgutplatte herausziehen, indem der Schlitten von seiner Halterung abgenommen wird (Abb. D);

- Messerhaube:

1) Lösen, indem der Griff der Messerabdeckung entgegen den Uhrzeigersinn gedreht wird; 2) zum Anheben der Messerabdeckung Druck auf den Griff in Richtung des Messers ausüben (Abb. E);

- Restehalter:

die Befestigungsschraube lockern und den Restehalter entfernen (falls vorhanden) (Abb. F).

Messer, Schneidgefahr! Für die Reinigung von Schleifbereich, Schneidgutplatte, Anschlagplatte und Messer wird das Tragen von Schutzhandschuhen empfohlen.

Fahren Sie dann mit der Reinigung der folgenden Teile fort:

- Messer: Drücken Sie einen feuchten Lappen auf die Oberfläche des Messers und bewegen Sie ihn dann langsam von der Mitte nach außen, wie in der Abbildung gezeigt (Abb. G); gehen Sie sowohl auf der Seite der Messerhaube als auch auf der gegenüberliegende Seite vor. Trocknen Sie das Messer auf dieselbe Weise mit einem trockenen Tuch ab;

- Sicherheitsring: Verwenden Sie zum Reinigen des Bereichs zwischen dem Messer und dem Sicherheitsring eine kleine halbsteife Nylonbürste;

- Gerätekorpus: Reinigen Sie den Gerätekorpus mit einem feuchten Lappen oder Schwamm und spülen Sie ihn dann mit warmem Wasser ab. Sorgfältig abtrocknen.

INSTANDHALTUNG

Schleifen des Messers

Wie häufig das Messer geschliffen werden muss, hängt von der Verwendung des Gerätes ab.

⚠ ACHTUNG! Wenn das Gerät mit der integrierten Schleifvorrichtung ausgestattet ist, befolgen Sie aufmerksam die Anweisungen. Anderenfalls wenden Sie sich an den Hersteller oder eine autorisierte Kundendienststellen (siehe SERVICE).

Gehen Sie zum Schleifen wie

folgt vor:

1. Bringen Sie den Reglerknopf für die Schnittdicke in die Sicherheitsposition (Abb. A);
2. Setzen Sie die Schneidgutplatte vollständig zurück (Abb. B);
3. die Schutzabdeckung der Schleifvorrichtung anheben (Abb. L);
4. die Start-Taste drücken;
5. drücken Sie den Schleifen für 10-15 Sekunden (Abb. O1); Drücken Sie dann die Entgraten für 3-5 Sekunden (Abb. O2)
6. Halten Sie die Bewegung des Messers durch Betätigen der Stopp-Taste an;
7. Vorrichtung wieder in die Anfangsposition zu bringen;
8. die Schutzabdeckung der Schleifvorrichtung absenken;
9. Mit der Reinigung der Aufschnittmaschine fortfahren.

Schmierung

Nach einer gewissen Betriebsdauer des Gerätes kann es erforderlich werden, die Führungen des Schlittens zu schmieren. Wir empfehlen, diesen Vorgang alle 3 Monate durchzuführen. Verwenden Sie zum Schmieren nur nicht saure Öle (wir empfehlen Vaselineöl). Keine pflanzlichen Öle verwenden.

ASSISTENZ

Der Verpackung liegen keine Ersatzteile bei. Sämtliche Reparatur- und Austauscharbeiten (wie Austausch oder Reparatur von Messer, Riemen, elektrischen Bauteilen, strukturellen Teilen usw.) dürfen ausschließlich von Personal durchgeführt werden, das vom Hersteller autorisiert ist. Sollte eine Reparatur erforderlich sein, bringen Sie das Gerät möglichst zum Hersteller oder



ACHTUNG!

Scharfes

zu einer autorisierten Kundendienststelle.

Für Informationen zu Kundendienststellen, wenden Sie sich an:

service@berkelinternational.com.

! ACHTUNG! Das Messer muss ausgetauscht werden, wenn der Abstand zwischen der Messerschneide und dem Innenrand der Schutzvorrichtung 6 mm übersteigt

GARANTIE UND HAFTUN

Der Hersteller liefert Geräte mit einer Garantielaufzeit von 24 Monaten ab Kaufdatum. Die Garantie deckt einzig Defekte ab, wenn das Gerät sachgemäß und im Einklang mit den vorgesehenen Betriebsbedingungen laut Anleitung genutzt wurde. Die Garantie deckt keine Mängel oder Schäden ab, die durch Folgendes verursacht werden: Transport, Unfähigkeit oder Fahrlässigkeit des Käufers, unsachgemäße Installation oder Positionierung, Verschleiß, Versorgung mit einer Spannung, die mehr als 10 % über der Nennspannung liegt. Darüber hinaus gilt die Garantie nicht für Verschleißteile wie das Messer und die Schleifscheiben der Schleifvorrichtung, sofern keine offensichtlichen Herstellungsfehler vorliegen.

Der Hersteller lehnt jede direkte und indirekte Verantwortung ab, die auf Folgendes zurückzuführen ist:

- Nichtbeachtung der Anweisungen der vorliegenden Anleitung;
- Gebrauch, der nicht den im Aufstellungsland geltenden Normen entspricht;
- nicht autorisierte Änderun-

gen und/oder Reparaturen am Gerät;

- Verwendung nicht originaler Zubehör- oder Ersatzteile;
 - außergewöhnliche Ereignisse.
- Die Übertragung des Eigentums des Gerätes entbindet den Hersteller umgehend von jeglicher Verantwortung, mit Ausnahme der Einhaltung der Richtlinie 2006/42/EG (Haftung für jegliche Herstellungsfehler des Produktes).

Das Typenschild am Gerätesockel weist den Hersteller, den Gerätetyp, die technischen Informationen sowie die CE-Marke aus.

ABBAU UND ENTSORGUNG

Das Gerät besteht aus Folgendem:

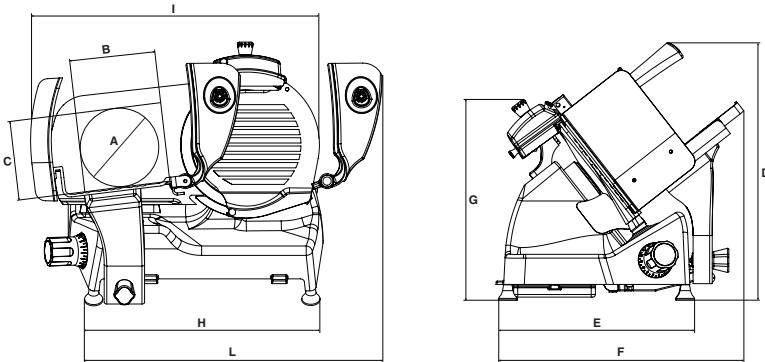
- Aluminiumlegierung;
- verschiedene Einsätze und Geräteteile aus Edelstahl;
- elektrische Komponenten und Stromkabel;
- Elektromotor;
- Kunststoff usw.

Wenn mit der Entsorgung Dritte beauftragt werden, wenden Sie sich ausschließlich an Firmen, die zur Beseitigung der obigen Materialien befugt sind. Das Gerät enthält Materialien, die wiederverwertet oder recycelt werden können. Eine korrekte differenzierte Entsorgung erleichtert ihr Recycling. Geben Sie das Gerät an seinem Lebensende bei einer Sammelstelle ab. Weitere Informationen zur Entsorgung erhalten Sie bei den lokalen Behörden.

Problembehebung

PROBLEM	MÖGLICH URSACHE	BEHEBUNG
Das Gerät schaltet sich bei Einschalten der Start-Taste nicht ein	Fehlende Stromversorgung oder defekter Steuerkreis	Prüfen Sie, dass der Stecker korrekt eingesetzt ist; wenn das Problem weiterhin besteht, wenden Sie sie an eine Kundendienststelle
Bei Betätigung der Start-Taste startet das Gerät, aber die Leuchtanzeige des Betriebs geht nicht an	Leuchtanzeige defekt	Das Gerät nicht verwenden, wenn die Leuchtanzeige aus ist. Wenden Sie sich an den Kundendienst
Zu hoher Widerstand beim Schneiden der Aufschnittware	Das Messer ist nicht geschliffen	Das Messer schleifen
Das Messer wird bei Belastung langsamer oder hält an	Der Riemen könnte locker oder beschädigt sein	Wenden Sie sich an den Kundendienst, um den Riemen einstellen oder austauschen zu lassen
Bei Betätigen der Stopp-Taste hält das Gerät nicht an	Steuerkreis defekt	Das Gerät sofort anhalten, den Stecker aus der Steckdose ziehen und umgehend an den Kundendienst wenden
Übermäßiger Widerstand bei der Bewegung der beweglichen Geräteteile (Anschlagplatte, Schlitten)	Schmierung der Gleitführungen nicht regelmäßig durchgeführt	Schmierung regelmäßig durchführen

PRO LINE XS 25 - XS 30

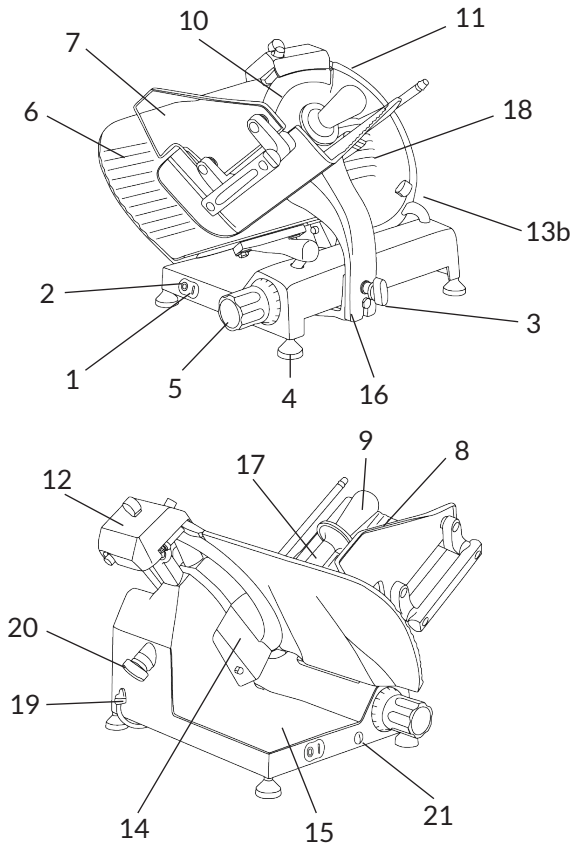


MODELL	XS 25	XS 30
A	188 mm	215 mm
B	225 mm	245 mm
C	178 mm	195 mm
D	505 mm	545 mm
E	378 mm	415 mm
F	480 mm	595 mm
G	445 mm	435 mm
H	450 mm	506 mm
I	565 mm	640 mm
L	575 mm	645 mm
TECHNISCHE MERKMALE		
ø Messer	250 mm	300 mm
Schnittbreite	0 - 14 mm	0 - 14 mm
Nettogewicht	19 kg	26 kg
Schnittleistung (rech)	225x178 mm	245x195 mm
Schnittleistung (rund)	188 mm	230 mm
Motorleistung	0,33 kW	0,35 kW
Elektrische Eigenschaften	230/50/1 V - Hz	230/50/1 V - Hz 400/50/3 V - Hz

Anmerkung: Aufgrund der ständigen Forschung für die Verbesserung unserer Produkte, die Produktionsvorgabe können Änderungen zeigen.

MANUEL D'INSTRUCTIONS: Trancheuses électriques Pro Line

MODÈLES:
XS 25, XS 30



ÉLÉMENTS PRINCIPAUX

1. Bouton de démarrage
2. Bouton d'arrêt
3. Bouton blocage plateau
4. Pied d'appui
5. Poignée de réglage de l'épaisseur de la tranche
6. Plaque de la jauge d'épaisseur (écran)
7. Protection de sécurité
8. Plateau port-aliment
9. Poignée du presse-aliment
10. Lame
11. Anneau de sécurité (pare-lame)
12. Aiguiseur
- 13b. Poignée du couvre-lame pour XS
14. Deflecteur de tranche
15. Base
16. Chariot
17. Presse-aliment
18. Disque pare-lame
19. Câble d'alimentation
20. Tirant couvre-lame
21. Graisseur de la barre du chariot (où est présent)

DESCRIPTION

Trancheuses à utilisation alimentaire, avec une lame circulaire, conçues pour découper exclusivement des produits alimentaires du type et dans les limites dimensionnelles indiquées dans ce manuel. Les éléments principaux qui composent la machine sont illustrés sur la figure 1. Le schéma de câblage est représenté sur la figure 2.

DÉCLARATION DE CONFORMITÉ

Les machines décrites dans ce manuel sont conformes aux directives 2006/42/CE, 2006/95/CE, 2004/108/CE, 2003/108/CE, 2011/65/CE, au règlement européen (EC) 1935/2004 et aux standards correspondants comme EN 1974:1998 +A1, EN60204-1, EN60335-1, EN60335-2-64.



SÉCURITÉ

Pour votre sécurité, s'il vous plaît respecter les recommandations suivantes:

- lire toutes les instructions avant d'utiliser la machine ;
- le produit n'est pas destiné à être utilisé par les enfants;
- utiliser la machine uniquement si bien informé et en parfait état psychophysique;
- ne pas utiliser la machine en aucune manière différente de la manière décrite dans ce manuel;
- installez la machine en conformité avec les instructions indiquées dans le paragraphe Installation;
- installez la machine dans un

lieu hors de portée de personnel étranger aux opérations relatives à l'utilisation, en particulier les mineurs;

- utilisez la machine de manière très concentrée, sans se distraire pendant l'utilisation;
- évitez l'utilisation de la part de personnel qui n'a pas lu et compris entièrement le contenu du présent manuel;
- ne portez pas de vêtements flottants ou avec des manches ouvertes;
- ne permettez à personne de s'approcher pendant le fonctionnement de découpe du produit;
- ne retirez, couvrez ou modifiez les plaques situées sur le corps de la machine et, en cas d'endommagement de celles-ci, remplacez-les rapidement;
- ne retirez pas les protections transparentes et ne modifiez pas ou n'excluez pas les protections mécaniques ou électriques;
- découpez uniquement les produits autorisés, ne faites pas d'essai de découpe avec des produits interdits;
- maintenez la zone d'appui du produit découpé, la zone de travail tout autour de la machine et le sol au niveau de l'opérateur toujours propres et secs;
- n'utilisez pas la machine comme surface d'appui et n'y posez aucun objet étranger aux opérations normales de découpe;
- n'utilisez pas la trancheuse lorsqu'à la suite d'une utilisation normale, la distance entre le fil de la lame et l'anneau pare-lame a dépassé 6 mm. Dans cet événement adressez-vous au constructeur ou au personnel qualifié et autorisé pour remplacer la lame;
- n'utilisez pas la machine avec

les branchements électriques de type «provisoire», à l'aide de câbles provisoires ou non isolés;

- contrôlez régulièrement l'état du câble d'alimentation et du presse-étoupe sur le corps de la machine, remplacez-le rapidement si besoin et adressez-vous à du personnel qualifié pour l'intervention;
- arrêtez immédiatement la machine en cas de défaut, de fonctionnement anormal, de suspicion de rupture, de mouvements incorrects, de bruit insolite;
- avant d'exécuter le nettoyage ou d'effectuer des interventions d'entretien, débranchez la machine du réseau d'alimentation électrique;
- utilisez des gants de protections pour les opérations de nettoyage et d'entretien;
- placez et retirez le produit à découper sur le plat coulissant uniquement avec le chariot entièrement reculé et avec la poignée de réglage de l'épaisseur placée en sécurité (Fig. A);
- pour le déplacement du plat porte-aliment pendant l'opération de découpe, utilisez uniquement la poignée de manœuvre placée sur le bras ou la prise du presse-aliment;
- l'utilisation d'accessoires pour la découpe qui n'ont pas été fournis par le constructeur avec la machine n'est pas autorisée. Le fabricant décline toute responsabilité directe ou indirecte dérivant d'utilisation non conforme, modifications et/ou réparations non autorisées effectuées sur la machine; utilisation d'accessoires et de pièces de rechange non originales. La machine ne peut pas être utilisée dans des lieux ouverts et/ou exposée aux agents atmos-

phériques et dans des environnements contenant des vapeurs, des fumées ou des poussières corrosives et/ou abrasives, un risque d'incendie ou d'explosion et dans tous les cas, où l'utilisation de composants antidéflagrants est prescrite.

Mode d'emploi:

- Température de -5 °C à +40 °C
- Humidité max 95%

PRODUITS QUI NE PEUVENT PAS ÊTRE DÉCOUPÉS:

- produits alimentaires congelés;
- produits alimentaires surgelés;
- produits alimentaires avec os (viandes et poissons);
- tout autre produit non destiné à une utilisation alimentaire;
- El contacto de partes de aluminio con alimentos fuertemente ácidos o altamente salados no esta recomendado.

L'anneau de sécurité autour de la lame est réalisé en conformité avec la norme européenne EN 1974:1998 +A1 mais dans la zone d'aiguillage, cette protection n'élimine pas entièrement le risque de coupure.

⚠ AVERTISSEMENT! Pendant les opérations de nettoyage de la lame et d'aiguillage faire attention à garder vos mains loin de la zone non protégée. L'utilisation de gants de protection est recommandée.

INSTALLATION

Installez la machine sur un plan bien nivelé, lisse, sec et adapté pour soutenir le poids de la machine, en plus du produit à trancher.

⚠ AVERTISSEMENT: Véri-

fiez que rien ne fasse obstacle à la course du plat et au chargement du produit à trancher sur le plat.

La machine doit être installée à proximité d'une prise au norme CEE dérivée d'une installation conforme aux normes en vigueur équipée de:

- protection magnéto-thermique;
 - interrupteur automatique différentiel;
 - installation de mise à la terre.
- Avant de procéder au branchement, vérifiez que les caractéristiques du réseau d'alimentation électrique correspondent avec celles indiquées sur la plaque des données de la machine.

UTILISATION DE LA TRANCHEUSE

⚠ ATTENTION! Lame tranchante, risque de coupure!

Contrôlez que la poignée de réglage de l'épaisseur de la tranche (5) soit en position de sécurité (position 0) (Fig. A).

1. Reculez entièrement le chariot (8) en direction de l'opérateur, en position de chargement (Fig. B);
2. soulevez le presse-aliment (17) et placez-le en position de repos;
3. posez le produit à découper sur le plat contre la paroi côté opérateur. Bloquez avec le presse-aliment en exerçant une légère pression;
4. réglez l'épaisseur de la tranche. Actionnez la lame (10) en appuyant sur le bouton d'allumage (1). Prenez la poignée fixée au presse-aliment (9) et commencez le mouvement alternatif de découpe;
5. une fois les opérations de dé-

coupe terminées, remettez en sécurité la poignée de réglage de l'épaisseur et reculez le chariot. Arrêtez le mouvement de la lame en appuyant sur le bouton d'arrêt (2).

NETTOYAGE

Les machines doivent être soigneusement nettoyées au moins une fois par jour; si nécessaire, effectuez-le plus souvent. Après une période plus ou moins longue d'inactivité, elles doivent être nettoyées avant d'être utilisées.

⚠ ATTENTION! Risque de choc électrique! Avant de nettoyer la machine, débranchez la fiche du réseau d'alimentation électrique. Placez de manière sécurisée la poignée de réglage de la plaque de la jauge d'épaisseur.

⚠ ATTENTION! Lame tranchante, risque de coupure!

Contrôlez que la poignée de réglage de l'épaisseur de la tranche (5) soit en position de sécurité (position 0) (Fig. A). **NE LAVER AUCUN COMPOSANT AU LAVE-VAISSELLE !**

Produit à utiliser: utilisez uniquement de l'eau chaude et un détergent moussueux biodégradable pour vaisselle en utilisant un linge doux, spongieux et une brosse en nylon semi-rigide pour les zones du plat et du presse-aliment pointues. Ne nettoyez pas la machine avec des jets d'eau ou de vapeur ou avec des méthodes équivalentes.

Procéder à retirer les différents composants:
- plat porte-aliment:

1)) libérer le plat porte-aliments en tournant la poignée de fixation dans le sens horaire. Avec la poignée de réglage de la plaque de la jauge d'épaisseur en sécurité, reculez entièrement le support porte-plat jusqu'au fond de la course vers l'opérateur: un dé clic métallique signale à l'opérateur que le plat porte-aliments est bloqué; 2) retirer le presse-aliments; 3) extrayez le groupe porte-aliment en retirant le plat du support (Fig. D);

- couvre-lame:

1) desserrer la poignée du tirant du disque couvre-lame en la tournant dans le sens antihoraire; 2) pour soulever le disque de la lame, appuyer sur la poignée dans la direction de la lame (Fig. E);

- pare-tranche:

desserrer la vis de fixation (où est présent) et retirer le déflecteur de tranche (Fig. F).

⚠ ATTENTION! *Lame tranchante, risque de coupure!*

Pour les opérations de nettoyage des zones pointues des plats, des presse-aliment et de la lame, il est conseillé d'utiliser des gants de protection.

Poursuivre le nettoyage de:

- lame: pressez un linge humide sur la surface de la lame et le déplacez lentement du centre vers l'extérieur, comme le montre la figure (Fig. G), sur le côté du couvre-lame et sur le côté opposé. De la même manière, séchez en utilisant un linge sec;

- anneau de sécurité: utilisez une brosse en nylon semi-rigide pour nettoyer la zone située entre la lame et l'anneau

de sécurité;

- corps de la machine: nettoyez le corps de la machine avec un linge humide ou une éponge. Séchez avec soin.

ENTRETIEN

Aiguisage de la lame

La périodicité et la durée d'affûtage dépendent de l'utilisation de la machine.

⚠ ATTENTION! Si la machine est équipée du groupe aiguisoir intégré, s'il vous plaît suivre attentivement les instructions. Sinon, contactez le fabricant ou l'un des centres de services autorisés (voir Service).

Pour l'affûtage, suivez les instructions:

1. placez de manière sécurisée la poignée de réglage d'épaisseur de la tranche (fig. A);
2. reculez entièrement le plat porte-aliment (Fig. B);
3. soulever la couverture du dispositif d'aiguisage (Fig.L);
4. appuyer sur le bouton de démarrage;
5. appuyez sur le bouton d'affûtage pendant 10 à 15 secondes (Fig. O1), puis appuyez sur le bouton d'ébavurage pendant 3-5 secondes (Fig. O2);
6. arrêtez le mouvement de la lame en appuyant sur le bouton d'arrêt;
7. remettre le dispositif en position de départ
8. baisser la couverture de protection du dispositif d'aiguisage;
9. procédez au nettoyage de la trancheuse.

Lubrification

Après une période d'utilisation régulière, il peut être néces-

saire de lubrifier les guides de glissement. On recommande d'exécuter cette opération chaque les 3 mois. Pour la lubrification, utilisez uniquement de l'huile sans acide (nous recommandons huile de vaseline). Ne pas utiliser d'huile végétale.

SERVICE

Aucune pièce de rechange n'est fournie dans l'emballage. Toutes les activités de réparation et de remplacement (comme le remplacement ou la réparation de la lame, la sangle, les composants électriques, les pièces de structure, etc.) doivent être effectués que par des personnes autorisées par le fabricant.

Si vous nécessitez d'une réparation, on vous recommande de retourner la machine au fabricant ou à un centre de service agréé.

Pour plus d'informations sur les centres de services, contactez: service@berkelinternational.com.

⚠ ATTENTION! *Il est obligatoire de remplacer la lame alors que la distance entre le fil de la lame et le bord interne de la protection dépasse 6mm.*

GARANTIE ET RESPONSABILITÉ

Le fabricant fournit des machines avec une garantie de 24 mois à partir de la date d'achat. La garantie ne couvre que les défauts de fabrication détectés à la suite d'une utilisation appropriée, selon les conditions d'utilisation prévues par le manuel. La garantie ne couvre pas les défauts résultant du transport, de l'incompétence ou de la négligence par l'acheteur, de

mauvaise installation ou positionnement, des dommages d'usure, de tension de plus de 10% de la valeur nominale. En outre, la garantie ne couvre pas les pièces consommables intrinsèquement, telles que la lame et les pierres de l'aiguiseur, sauf dans le cas d'évident défaut de fabrication.

Le fabricant se décharge de toute responsabilité résultant directement ou indirectement de:

- non-respect des instructions contenues dans le manuel du fabricant;
- utilisation non conforme à la législation du pays d'installation;
- modifications et / ou réparations pas autorisée sur la machine;
- utilisation d'accessoires et pièces détachées qui ne sont pas d'origine;

- événements exceptionnels. Le transfert de propriété de la machine, implique la levée immédiate de toute responsabilité par le fabricant, à l'exception de la conformité avec la directive 2006/42 / CE (responsabilité pour tout défaut de fabrication du produit).

La plaque signalétique sur la base de la machine identifie le fabricant, la machine, les informations techniques et la marque CE.

DÉMOLITION ET ÉLIMINATION

Les machines sont composées de:

- structure en alliage d'aluminium;
- pièces en acier inoxydable;
- câbles et pièces électriques;
- moteur électrique;

-matières plastiques, etc.

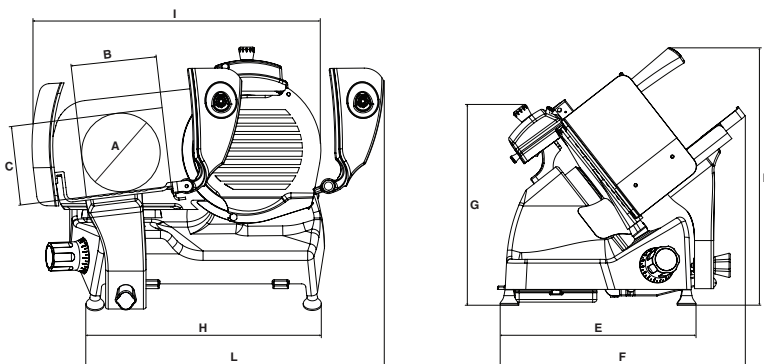
Si le démontage et la démolition sont confiés à des tiers, contacter uniquement des entreprises spécialisées et autorisées pour la récupération et la démolition des tels matériaux.

L'appareil contient des matériaux qui peuvent être récupérés ou recyclés. Une bonne collecte séparée facilite le recyclage. A la fin de vie du produit déposez votre appareil chez un point de collecte. Vous pouvez obtenir des informations sur la disposition par les autorités locales.

Résolution problèmes

PROBLÈME	CAUSE PROBABLE	REMÈDE
En appuyant sur le bouton de démarrage, la machine ne démarre pas	Alimentation absente ou circuit de contrôle défectueux	Contrôler que la fiche soit correctement introduite dans la prise, si le problème persiste contacter le centre assistance
En appuyant sur le bouton de démarrage la machine démarre mais le voyant lumineux de fonctionnement ne s'allume pas	Voyant défectueux	Ne pas utiliser la machine avec l'indicateur lumineux éteint. Appeler le service assistance
Résistance excessive à la découpe du produit	La lame n'est pas aiguisée	Aiguiser la lame
La lame sous effort ralentit ou s'arrête	La courroie pourrait être desserrée ou endommagée	Contactez le service assistance pour régler ou remplacer la courroie
En appuyant sur le bouton d'arrêt, la machine ne s'arrête pas	Circuit de commande défectueux	Arrêter immédiatement la machine en débranchant la fiche de la prise de courant et contacter immédiatement le centre assistance
Résistance excessive au mouvement des composants coulissants (presse-aliment, chariot)	Lubrification guides de coulissement non effectuée périodiquement	Effectuer la lubrification périodique

PRO LINE XS 25 - XS 30



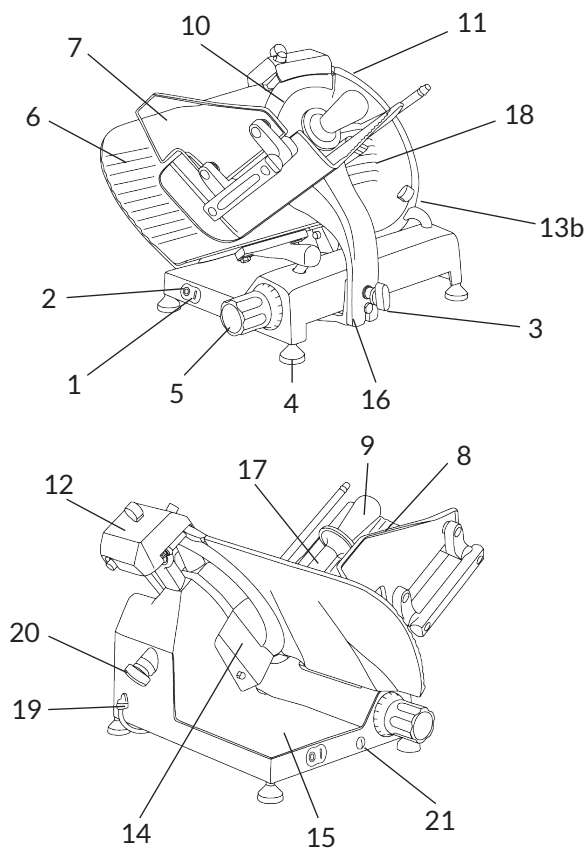
MODÈLE	XS 25	XS 30
A	188 mm	215 mm
B	225 mm	245 mm
C	178 mm	195 mm
D	505 mm	545 mm
E	378 mm	415 mm
F	480 mm	595 mm
G	445 mm	435 mm
H	450 mm	506 mm
I	565 mm	640 mm
L	575 mm	645 mm
SPÉCIFICATIONS		
ø Lame	250 mm	300 mm
Epaisseur de coupe	0 -14 mm	0 -14 mm
Poids net	19 kg	26 kg
Capacité de découpe (rect.)	225x178 mm	245x195 mm
Capacité de découpe (circ.)	188 mm	230 mm
Puissance moteur	0,33 kW	0,35 kW
Caractéristiques électriques	230/50/1 V - Hz	230/50/1 V - Hz 400/50/3 V - Hz

Remarque: En raison de la recherche continue pour améliorer nos produits, les spécifications techniques sont sujettes à des possibles variations.

NÁVOD K POUŽITÍ: Elektrické kráječe Pro Line

MODELY:

XS 25, XS 30



ČÁSTI STROJE

1. Spouštěcí tlačítko (bílé)
2. Vypínací tlačítko (červené)
3. Rukojeť k zablokování desky
4. Nožka
5. Rukojeť na regulaci tloušťky plátku
6. Deska tloušťkoměru (plachta)
7. Bezpečnostní kryt
8. Nosná deska
9. Rukojeť přitlačného prvku
10. Nůž
11. Bezpečnostní kroužek (kryt nože)
12. Brousek
- 13b. Rukojeť krytu nože pro XS
14. Kryt plátků
15. Základna
16. Support
17. Přitlačný prvek
18. Krycí kotouč nože
19. Napájecí kabel
20. Táhlo krytu nože
21. Maznice (kde je přítomen)

POPIS

Kráječ s kruhovou čepelí vhodný pouze pro krájení potravinářských produktů v rámci rozměrových limitů uvedených v této příručce. Hlavní části, z nichž se stroj skládá, jsou znázorněny na obrázku 1. Elektrické schéma je znázorněno na obrázku 2.

PROHLÁŠENÍ O SHODĚ

Přístroj popsany v této příručce je v souladu se směrnicemi 2006/42/CE - 2006/95/CE - 2004/108/CE a evropskými normami EN 1974:1998 +A1 s ohledem na bezpečnost proti mechanickým rizikům: Kráječ – Specifikace hygieny a bezpečnosti.



BEZPEČNOST

Věnujte pozornost následujícím základním bezpečnostním opatřením:

- před použitím si přečtěte všechny pokyny;
- tento produkt není určen k používání dětmi;
- s přístrojem pracujte pouze za předpokladu důkladného proškolení a v perfektní psychické i fyzické kondici;
- nepoužívejte kráječ jiným způsobem, než je uvedeno v tomto návodu;
- používejte kráječ pouze v plně strukturální, mechanické a systémové efektivitě;
- zařízení instalujte v souladu s pokyny uvedenými v kapitole "Instalace";
- zařízení instalujte na místě mimo dosah nepovolaných osob, zejména mimo dosah dětí a mladistvých;
- během používání zůstaňte vy-

soce koncentrování a vyvarujte se rozptylování;

- nenechte kráječ používat další osoby, které si nenastudovali obsah této příručky;
- během krájení nenoste volné oblečení nebo oblečení s volnými rukávy;
- nedovolte nikomu dalšímu, kromě obsluhy, přiblížit se k přístroji během procesu krájení;
- neodstraňujte, nezakrývejte ani neupravujte značky umístěné na těle přístroje a v případě jejich poškození je neprodleně vyměňte;
- neodstraňujte, neupravujte ani neobcházejte žádná mechanická ochranná zařízení;
- krájejte pouze povolené produkty, nepokoušejte pořežání na zakázaných typech produktů;
- kráječ, okolní pracovní plochu i podlahu udržujte vždy v čistotě a suchu;
- kráječ nepoužívejte jako odkládací plochu a nepokládejte na něj žádné jiné objekty než potraviny, které je potřeba nakrájet;
- nepoužívejte kráječ, přesahuje-li v důsledku běžného opotřebení vzdálenost mezi okrajem čepelí a ochranným kroužkem čepelí 6mm. V tomto případě kontaktujte výrobce nebo jednoho z autorizovaných servisních center pro výměnu čepelí;
- přístroj nepoužívejte s dočasnými nebo neizolovanými kabely, prodlužovacími šňůrami nebo rozdvojkami;
- pravidelně kontrolujte stav napájecího kabelu na těle přístroje. V případě potřeby požádejte kvalifikovaný personál o jeho výměnu;
- v případě poškození, abnormálního provozu, podezření na poruchu, nesprávného pohybu nebo neobvyklých zvuků, okamžitě zastavte stroj;

- před čištěním nebo údržbou vypojte přístroj z elektrické sítě;
- během čištění a údržby použijte ochranné rukavice;
- potraviny, které je třeba nakrájet, pokládejte a odebírejte z posuvné desky pouze za předpokladu, že je vozík zcela stažen a s knoflíkem pro regulaci síly plátku v bezpečné pozici (pozice 0) (Obr. A);
- pro pohyb posuvné desky během krájení používejte pouze rukojeť umístěnou na rameni přístroje nebo úchyt produktu;
- během krájení nikdy nepokládejte ruce na potraviny. Vždy držte ruce za ochranným zařízením a co nejdále od čepelí;
- je zakázáno používat doplňky ke krájení, které nejsou poskytovány výrobcem.

Výrobce odmítá jakoukoliv odpovědnost vyplývající z nevhodného používání, úprav a/nebo oprav prováděné uživatelem nebo neautorizovanou osobou, použití náhradních dílů, které nejsou originální nebo konkrétní pro daný model přístroje.

Stroj nesmí být používán v otevřených prostorách a/nebo v prostoru, který je vystaven povětrnostním vlivům a v prostředí par, kouře nebo korozivních a/nebo abrazivních prachů, při riziku vzniku požáru nebo výbuchu a v každém jiném případě, kde je vyžadováno využívání nevybušných složek.

Podmínky používání:

- Teplota od -5°C do +40°C
- Maximální vlhkost 95%

NEKRÁJEJTE:

- zmrzlé potravinářské produkty;
- potravinářské produkty s kostí;
- jakýkoliv jiný výrobek, který není určen pro použití v potravinách;
- kontakt hliníkových kompo-

ment s vysoce kyselými nebo slanými potravinami se nedoporučuje.

Ačkoliv je bezpečnostní kroužek vyroben v souladu s evropskými normami EN 1974:1998 +A1but, aby bylo možné další broušení čepel, nemusí ochrana v oblasti ostření zcela eliminovat riziko pořezání.

! POZOR! Během čištění a broušení čepel věnujte zvýšenou pozornost, aby se Vaše ruce držely co nejdále od nechráněné oblasti. Doporučujeme použít ochranné rukavice.

INSTALACE PŘÍSTROJE

Přístroj instalujte na rovný, hladký a suchý povrch vhodný pro udržení hmotnosti přístroje vč.váhy krájených produktů.

! POZOR: Ověřte si, že při pohybu s posuvnou deskou a při nakládání produktu neexistují žádné překážky.

Přístroj musí být instalován v bezprostřední blízkosti standardní zásuvky připojené k systému elektrického napájení, který je v souladu s předpisy:

- magneto-termická ochrana;
- automatický diferenciální spínač;
- systém uzemnění.

Před provedením elektrického připojení ověřte, že vlastnosti elektrického napájení jsou v souladu s požadavky uvedenými na informačním štítku stroje.

POUŽITÍ

! POZOR! Ostrý nůž, nebezpečí pořezání! Zkontrolujte, zda je knoflík pro regulaci síly plátku (5) v bezpečné pozici

(pozice 0) (Obr. A).

1. Zcela stáhněte posuvnou desku (8) směrem k obsluze do pozice nakládání (Obr. B);
2. nadzvedněte úchyt produktu (17) do pohotovostní pozice;
3. produkt, který potřebujete nakrát, umístěte na posuvnou desku, blízko ke straně obsluhy. Upevněte uchýtem produktu lehkým zatlačením;
4. upravte sílu plátku. Aktivujte čepel (10) stisknutím tlačítka start. Uchopte rukojeť úchytu produktu (9) a začněte se zástupným krájícím pohybem;
5. po dokončení krájení vraťte knoflík pro regulaci síly plátku do bezpečné pozice a zatáhněte posuvnou desku zpět. Pohyb čepel zastavte stisknutím tlačítka stop (2).

ČIŠTĚNÍ

Před použitím. Přístroj čistěte alespoň jednou denně nebo i častěji – pokud je nezbytné – a vždy před použitím po dlouhé době nečinnosti.

! POZOR! Před čištěním vyjete zástrčku ze zásuvky a knoflík pro regulaci síly plátku umístěte do bezpečnostní polohy.

! POZOR! Ostrý nůž, nebezpečí pořezání! Zkontrolujte, zda je knoflík pro regulaci síly plátku (5) v bezpečné pozici (pozice 0) (Obr. A).

ŽÁDNOU ČÁST STROJE NEMYJTE V MYČCE!

Čistící produkty:

používejte pouze vodu a biologicky odbouratelný jemný čistící prostředek, měkký hadřík nebo houbu a polotuhý nylonový kartáč na ostré plochy desky a

držáky produktu. Nemyjte stroj proudy vody nebo párou nebo podobnými metodami.

Demontáž:

- pohyblivá deska:

- 1) uvolněte nosnou desku otáčením blokovací rukojeti po směru hodinových ručiček. S knoflíkem pro regulaci síly plátku v bezpečné poloze, zcela stáhněte vozík směrem k obsluze: zacvaknutí upozorní obsluhu, že je nosná deska zablokována; 2) vysuňte přítlačné zařízení; 3) vytáhněte držák produktu vysunutím posuvné desky z podstavce (Obr. D);

- kryt čepel:

- 1) otáčením proti směru hodinových ručiček uvolněte rukojeť táhla krycího kotouče nože; 2) pro zdvižení krycího kotouče nože stlačte rukojeť ve směru nože (Obr. E);

- deflektor krájení:

uvolněte upevňovací šroub ((pokud je přítomen) a odstraňte kryt plátk (Obr. F).

! POZOR! Ostrý nůž, nebezpečí pořezání! Při čištění ostrých ploch desky, držáku produktu a čepel, doporučujeme používat ochranné rukavice.

Čištění:

- čepel: stiskněte vlhký hadřík na povrchu čepel a pomalu otřete ze středu směrem ven ke straně krytu ostří a na opačnou stranu (Obr. G). Stejným způsobem osušte suchým hadříkem. NIKDY přístroj během čištění čepel nezapínejte;

- bezpečnostní kroužek: použijte jemný kartáč k očištění prostoru mezi čepelí a bezpečnostním kroužkem. Buďte opatrní a NEPŘIBLIŽUJTE ruce k čepelí;

- tělo stroje: použijte vlhký hadřík nebo houbu, často opla-

chujte teplou vodou. Pečlivě osušte.

ÚDRŽBA

Broušení čepele

Frekvence a trvání broušení závisí na používání zařízení.

Pro broušení následujte pokyny:

1. knoflík pro regulaci síly plátku umístěte do bezpečnostní polohy (Obr. A);
2. zcela stáhněte posuvnou desku (Obr. B);
3. zvedněte ochranný kryt brousku (Obr. L);
4. stiskněte tlačítko pro zapínání;
5. U modelů XS 25, XS 30 stiskněte zaostřovací tlačítko po dobu 10-15 sekund (Obr. O1); pak stiskněte tlačítko pro odstraňování otěrů po dobu 3-5 sekund (Obr. O2)
6. zastavte pohyb čepele stisknutím tlačítka stop;
7. Vraťte zaostřovací systém do původní polohy
8. snižte ochranný kryt brousku;
9. pokračujte v čištění kráječe.

Mazání

Po pravidelném používání, může být nezbytné promazat vozík. Doporučujeme opakovat tento postup každých 3 měsíců. Pro mazání používejte pouze oleje bez kyselin (doporučujeme mazání vazelína). Nepoužívejte rostlinný olej.

SERVIS

Uvnitř přístroje se nenachází žádné uživatelsky opravitelné součásti. Svěřte kvalifikovaným osobám. Veškeré opravy a náhrady (jako výměna čepele, výměna motorového řemene, výměna komponentů elektrických systémů, opravy konstrukčních dílů, oprava a/nebo náhrada

komponentů základové desky) musí být provedeny výhradně výrobcem pověřenou osobou. V případě, že je potřeba provést servis, můžete kráječ vrátit výrobci nebo předat centru autorizovaného servisu. Pro informace o servisních střediscích nás kontaktujte na: service@berkelinternational.com.



POZOR! Výměna čepele je povinná v případě, že vzdálenost mezi okrajem čepele a vnitřního okraje krytu přesahuje 6 mm.

ZÁRUKA A ODPOVĚDNOST

Výrobce dodává přístroj s omezenou zárukou 24 měsíců od data nákupu. Záruka se vztahuje pouze na závady vzniklé za podmínek určeného použití, během správné manipulace. Záruka se nevztahuje na vady vzniklé způsobem dopravy, nedbalostí kupujícího, nesprávnou instalací, neoprávněnými zásahy nebo v případě přirozeného opotřebení nebo při kolísání napětí vyšším než 10% jmenovité hodnoty. Kromě toho se záruka nevztahuje na komponenty podléhající opotřebení, jako jsou například čepele a brousky s výjimkou zjevné výrobní vady.

Výrobce odmítá jakoukoli přímou i nepřímou odpovědnost pocházející z:

- Nedodržení pokynů uvedených v tomto návodu k obsluze;
 - Použití, které není v souladu se zvláštními předpisy v zemi instalace;
 - Neoprávněné modifikace a / nebo opravy prováděné na stroji;
 - Používání neoriginálních doplňků a náhradních dílů;
 - Mimořádných událostí.
- Převod vlastnictví přístroje automaticky zbavuje výrobce odpov

vědnosti za příslušný přístroj. Identifikační štítek zespolu desky označuje výrobce, přístroj a technické informace a CE.

LIKVIDACE KRÁJEČE

Mechanika se skládá z:

- hliník/litinová struktura;
- klíny a součástky z nerezové oceli;
- elektrické části a elektrické kabely;
- elektrický motor;
- plastový materiál, atd.

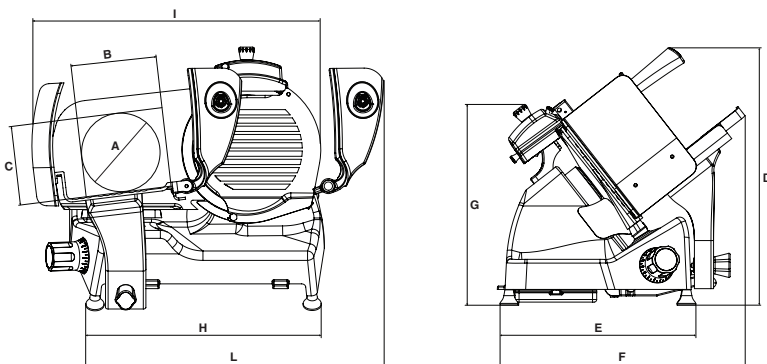
V případě, že demontáž a likvidaci svěřujete třetí straně, využívejte pouze autorizované společnosti s povolením likvidovat výše uvedený materiál.

Přístroj je v souladu se směrnicí EU 2012/19/UE. Balící materiály a zařízení obsahují recyklovatelné materiály. Váš spotřebič obsahuje hodnotné materiály, které mohou být získány zpět nebo je lze recyklovat. Dělení zbývajících odpadních materiálů usnadňuje recyklaci cenných surovin. Zařízení ponechte na sběrném místě. Informaci o likvidaci můžete získat od lokálního úřadu.

Řešení problémů

PROBLÉM	PRAVDĚPODOBNÁ PŘÍČINA	ODSTRANĚNÍ PROBLÉMU
Stroj se po stisknutí spouštěcího tlačítka nespustí	Výpadek napájení nebo vadný kontrolní okruh	Zkontrolujte, zda je správně vložena zástrčka; pokud problém přetrvává, kontaktujte servisní středisko
Po stisknutí spouštěcího tlačítka se stroj spustí, ale nerozsvítí se světelná kontrolka signalizující uvedení do chodu	Vadná kontrolka	Nepoužívejte stroj, pokud světelná kontrolka nesvítí. obraťte se na servisní středisko
Výrobek při krájení vyvíjí příliš velký odpor	Nůž není nabroušený	Nabruste nůž
Nůž se při krájení zpomaluje nebo se zastaví	Může být uvolněný nebo poškozený řemen	Pro úpravu nebo výměnu řemenu kontaktujte servisní středisko
Stroj se po stisknutí vypínacího tlačítka nevypne	Vadný řídicí okruh	Okamžitě stroj vypněte a vytáhněte zástrčku ze sítě; okamžitě se obraťte na servisní středisko
Příliš velký odpor při pohybu posuvných komponentů (přítlačného prvku, posuvného suportu)	Mazání vodicích prvků není prováděno pravidelně	Provádějte mazání pravidelně

PRO LINE XS 25 - XS 30

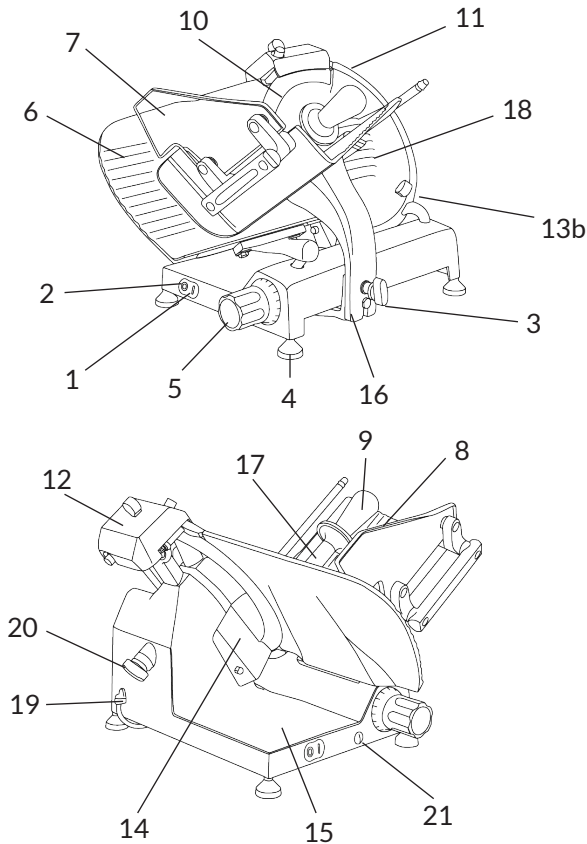


MODEL	XS 25	XS 30
A	188 mm	215 mm
B	225 mm	245 mm
C	178 mm	195 mm
D	505 mm	545 mm
E	378 mm	415 mm
F	480 mm	595 mm
G	445 mm	435 mm
H	450 mm	506 mm
I	565 mm	640 mm
L	575 mm	645 mm
SPECIFIKACE		
Ø Průměr nože	250 mm	300 mm
Maximální tloušťka plátku	0 - 14 mm	0 - 14 mm
Čistá Hmotnost	19 kg	26 kg
Výkon při obdélníkovém řezání	225x178 mm	245x195 mm
Výkon při kruhovém řezání	188 mm	230 mm
Výkon motoru	0,33 kW	0,35 kW
Elektrické specifikace	230/50/1 V - Hz	230/50/1 V - Hz 400/50/3 V - Hz

Poznámka: V důsledku neustálého výzkumu neustále zlepšovat naše výrobky, technické specifikace jsou předmětem možných variací.

BETJENINGSVEJLEDNING: Elektriske slicere Pro Line

MODELLER:
XS 25, XS 30



MASKINDELE

1. Startknap (hvid)
2. Stopknap (rød)
3. Låsegreb på plade
4. Fod
5. Håndtag til regulering af skivetykkelse
6. Breddemåler (stopplade)
7. Sikkerhedsafskærmning
8. Plade til produkt
9. Håndtag på pigplade
10. Klinge
11. Sikkerhedsring (klingebeskytter)
12. Slibeanordning
- 13b. Håndtag på klingeafskærmning til XS
14. Skiveføring
15. Base
16. Slæde
17. Pigplade
18. Skive til knivsafdækning
19. Strømforsyningskabel
20. Trækstang klingeafskærmning
21. Smørenippel (hvis til stede)

BESKRIVELSE

Professionelle slicere med rund klinge, designede til udskæring af fødevarer af den type og med de størrelser, som er anført i denne betjeningsvejledning. Maskinens vigtigste dele er illustreret i figur 1. El-diagrammet er vist i figur 2.

OVERENSSTEMMELSESR- KLÆRING

Maskinerne, som er beskrevet i denne betjeningsvejledning, er i overensstemmelse med direktiv 2006/42/EF, 2006/95/EF, 2004/108/EF, 2003/108/EF, 2011/65/EF, forordningen (EF) 1935/2004 samt de tilhørende standarder EN 1974:1998 +A1, EN60204-1, EN60335-1, EN60335-2-64.



SIKKERHED

Af hensyn til din sikkerhed, bør du følge disse anvisninger:

- Læs nøje alle instruktioner, før du tager maskinen i brug;
- Produktet er ikke beregnet til brug af børn;
- Brug kun maskinen, hvis du har tilstrækkelig uddannelse og er i perfekt psyko-fysisk tilstand;
- Brug aldrig maskinen på andre måder end som anvist i denne betjeningsvejledning;
- Installér maskinen i overensstemmelse med instruktionerne i afsnittet "Installation";
- Installér maskinen på et sted, som er uden for andet personales rækkevidde, der ikke benytter maskinen, navnlig mindreårige;
- Vær koncentreret, når du benytter maskinen, og sørg for

ikke at blive distraheret under brug;

- Lad ikke personale, som ikke har læst og forstået indholdet i denne betjeningsvejledning, benytte maskinen;
- Bær ikke løstsiddende tøj eller med åbne manchetter;
- Tillad aldrig, at andre end operatøren nærmer sig maskinen, mens produktet skæres;
- Fjern, tildæk eller manipuler aldrig med skiltene på maskinen, og sørg for, at de omgænde bliver udskiftet, hvis de er defekte;
- Fjern aldrig de gennemsigtige beskyttelsesværn, og manipuler eller tilsidesæt aldrig de mekaniske eller elektriske sikkerhedsanordninger;
- Skær kun de tilladte produkter; forsøg aldrig at skære i produkter, som ikke er tilladt;
- Hold altid området, hvor det afskårne produkt lægges ned, hele arbejdsområdet omkring maskinen og gulvet rent og tørt;
- Brug ikke maskinen som støtte, og læg aldrig genstande på maskinen, som ikke anvendes til skæringen;
- Brug ikke sliceren, når afstanden mellem klingens kant og ringen på klingens sikkerhedsværn er mere end 6 mm. Hvis dette er tilfældet skal producenten eller et af de autoriserede servicecentre tilkaldes for at udskifte klingens;
- Brug ikke maskinen med elektriske forlængerledninger, midlertidige eller uisolerede kabler;
- Kontroller regelmæssigt strømforsyningskablets tilstand og kabelholderen på maskinen. Udskift omgående i tilfælde af slid eller defekter. Ret i dette tilfælde henvendelse til kvalificeret personale;

- Stop omgående maskinen i tilfælde af fejlfunktioner, mistanke af defekter, forkerte bevægelser, usædvanlige lyde;
- Før maskinen gøres rent eller vedligeholdes, skal den afbrydes fra lysnettet;

- Brug beskyttelseshandsker, når du gør maskinen rent;
- Læg kun produktet, som skal skæres, på slæden, når den er trukket helt tilbage, og med snittykkelsens reguleringshåndtag i sikkerhedsposition (Fig. A);
- Brug håndtaget på armen eller skubbegrebet til at føre slæden frem og tilbage, når der snittes;
- Det er ikke tilladt bruge andet tilbehør til sliceren end det, som er leveret af maskinens producent sammen med maskinen.

Producenten fralægger sig ethvert direkte og inddirekte ansvar som skyldes forkert brug, uautoriserede ændringer og/eller reparationer udført på maskinen og brug af ikke-originalt tilbehør og reservedele. Maskinen må ikke anvendes i udsættede omgivelser og/eller udsættes for vejrlig eller anvendes i miljøer med damp, røg eller korroderende og/eller ridsende støv, brand- eller eksplosionsfarlige miljøer, eller hvor brugen af eksplosionssikre komponenter er påbudt.

Kan anvendes i omgivelser med:

- Temperaturer fra -5° C til +40° C
- Luftfugtighed maks. 95%

SNIT ALDRIG:

- dybfrosne fødevarer;
- frosne fødevarer;
- fødevarer med knogler (kød og fisk);
- ethvert andet produkt, som

ikke er fødevarer;
- kontakt af aluminiumskomponenter med stærkt sure eller meget salte fødevarer anbefales ikke.

Sikkerhedsringen omkring klingen er fremstillet i overensstemmelse med den europæiske standard EN 1974:1998 + A1. Dette eliminerer dog ikke helt risikoen for skæring.

⚠ ADVARSEL! Når klingen gøres rent og slibes, er det nødvendigt at være meget forsigtig og holde hænderne så langt som muligt borte fra området, som ikke er beskyttet. Det anbefales at bruge beskyttelseshandsker.

INSTALLATION

Installér maskinen på en plan og glat overflade, tør og egnet til at bære vægten af selve maskinen samt fødevarerne, som skal snittes.

⚠ ADVARSEL: Kontrollér, at der ikke er forhindringer for slædens bevægelse og placeringen af produkterne, som skal snittes, på slæden.

Maskinen skal være installeret i umiddelbar nærhed af en stikkontakt, som opfylder EØS-betingelserne. Stikket skal være afledt fra et anlæg, som opfylder betingelserne i de gældende standarder, og være udstyret med:

- termomagnetisk sikring;
- automatisk differentialafbryder;
- jordforbindelse.

Inden strømforsyningen sluttes til maskinen er det nødvendigt at kontrollere, at specifikationerne svarer til dem, som er

anført på maskinens typeskilt.

BRUG AF SLICEREN

⚠ ADVARSEL! Skarp klinge, skærefare! Kontrollér, at håndtaget, som regulerer skivetykkelsen (5) er sikkerhedspositionen (position 0) (Fig. A).

1. Træk slæden (8) helt tilbage mod operatøren i positionen, hvor produktet lægges på (Fig. B);
2. Løft pigpladen (17), som holder produktet fast;
3. Læg produktet, som skal skæres, ud for pladens kant på operatørsiden. Blokér produktet med pigpladen ved hjælp af et let tryk;
4. Regulér skivetykkelsen. Start klingens (10) ved at trykke på kontakten. Grib fat i håndtaget på pressen (9), og begynd at skære med en frem- og tilbagegående bevægelse;
5. Når du er færdig med at skære, bringes håndtaget, som regulerer tykkelsen, igen i sikkerhedsposition, og slæden trækkes tilbage. Sluk for klingens (10) ved at trykke på kontakten (2).

RENGØRING

Sørg for omhyggelig rengøring af maskinen. Når maskinen anvendes, skal den rengøres mindst én gang om dagen eller oftere, hvis nødvendigt. Efter en periode med inaktivitet anbefales det at gøre maskinen rent, før den igen tages i brug.

⚠ ADVARSEL! Fare for elektrisk stød! Træk stikket ud af strømforsyningskontakten, og bring håndtaget, som regulerer tykkelsen, i sikkerhedsposition, før maskinen gøres rent.

⚠ ADVARSEL! Skarp klinge, skærefare! Kontrollér, at håndtaget,

⚠ som regulerer skivetykkelsen (5) er sikkerhedspositionen (position 0) (Fig. A).

VASK ALDRIG NOGEN DEL I OPVASKEMASKINEN!

Rengøringsmidler:
Brug udelukkende vand og bionedbrydeligt, skummende opvaskemiddel, en blød klud og svamp eller halvtiv nylonbørste til pladen og pigpladen. Gør aldrig maskinen rent med vand- eller dampstråler eller tilsvarende metoder.

Fortsæt med at fjerne:

- slæden:

- 1) frigør pladen til produkter ved at dreje låsehåndtaget med uret. Ved hjælp af håndtaget, som regulerer tykkelsen, i sikkerhedsposition trækkes pladestøtten helt tilbage til endestop, i operatørens retning: et metallisk klik advarer operatøren om, at pladen til produkter er låst, 2) fjern pigpladen, 3) træk pladen til produkter ud ved at løsne pladen fra holderen (fig. D);

- klingeafskærmning:

- 1) løsn håndtaget på trækstangen til klingeafskærmningens skive ved at dreje det mod uret, 2) tryk på håndtaget i klingens retning for at løfte klingens skive (Fig. E);

- skiveføring:

- løsn fastspændingsskruen (hvis til stede) og fjern skiveføringen (Fig. F).

⚠ ADVARSEL! Skarp klinge, skærefare! Brug beskyttelseshandsker når området omkring strygstålet, pladen, pigpladen og klingens (10) gøres rent.

Fortsæt med rengøring af:

- klingen: tryk en fugtig klud mod klingens overflade på siden med klingefafsærmningen og den modsatte side, og før den langsomt i en bevægelse fra midten mod kanten, sådan som vist i figuren (Fig. G). Tør klingen på samme måde med en tør klud;

- sikkerhedsring: brug en halvstiv nylonbørste til at gøre området mellem klingen og sikkerhedsringen rent;

- maskinhuset: gør maskinhuset rent med en fugtig klud eller svamp, som skylles under rindende vand. Tør omhyggeligt.

VEDLIGEHOLDELSE

Slibning af klingens

Det afhænger af brugen, hvor længe klingens holder sig skarp, og hvor ofte den skal slibes.

⚠ ADVARSEL! Hvis maskinen er udstyret med indbygget slibebeordning skal instruktionerne følges omhyggeligt. I modsat fald skal producenten eller et af de autoriserede servicecentre tilkaldes for at udskifte klingens (se SERVICE).

Følg disse trin for at slibe klingens:

1. Placer håndtaget, som regulerer skivetykkelsen, i sikkerhedsposition (Fig. A);
2. Træk slæden med pladeenhed helt tilbage (Fig. B);
3. løft dækslet til slibebeordningen (Fig. L);
4. tryk på tændingsknappen;
5. For modeller XS 25, XS 30 skal du trykke på med skærpeknap i 10-15 sekunder (fig. O); tryk derefter på boreknappen hvert 3-5 sekund (fig. P);

6. Stands klingens bevægelse ved at trykke på stopknappen;

7. Thringe enheden til udgangspositionen

8. sænk beskyttelsesdækslet til slibebeordningen;

9. Fortsæt med rengøring af maskinen.

Smøring

Det kan være nødvendigt at smøre slædens køreskinner med regelmæssige mellemrum. Vi anbefaler altid at udføre smøring hver 3. måned uafhængigt af brugen. Brug kun syrefri olie (vi anbefaler vaselineolie). Brug aldrig vegetabiliske olier.

ASSISTANCE

Der følger ikke reservedele med leveringen. Al reparation og udskiftning af dele (f.eks. klinge, drivrem, elektriske komponenter, strukturelle dele) må udelukkende udføres af producentens autoriserede personale.

Hvis reparation er nødvendig, anbefales det at returnere maskinen til producenten eller et autoriseret servicecenter.

Oplysninger om servicecentre kan fås ved henvendelse til: service@berkelinternational.com.

⚠ ADVARSEL! *Klingen skal udskiftes, når afstanden mellem selve klingens kant og afsærmningen indvendige kant overstiger 6 mm.*

GARANTI OG HÆFTELS

Producenten leverer maskinerne med en garanti på 24 måneder med start fra købsdatoen. Garantien omfatter kun defekter, som opstår i forbindelse med korrekt brug og ved

overholdelse af instruktionerne i betjeningsvejledningen. Garantien dækker ikke skader opstået som følge af transporten eller køberens uagtsomhed, forkert installation eller placering, skader som følge af slid eller forsyningssspænding, som overskrider den nominelle værdi med mere end 10%. Desuden dækker garantien ikke sliddele som f.eks. klinge og fjedrene i slibebeordningen med undtagelse af tydelige fabrikationsfejl.

Producenten fralægger sig ethvert ansvar for direkte og indirekte skader som følge af:

- manglende overholdelse af instruktionerne i denne betjeningsvejledning;

- brug af maskinen i uoverensstemmelse med bestemmelser og standarder gældende i landet, hvor maskinen er installeret;

- uautoriserede ændringer og/eller reparationer på maskinen;

- brug af ikke-originale reservedele og tilbehør;

- usædvanlige begivenheder. Overførsel af ejendomsretten til maskinen medfører øjeblikket ophør af ethvert ansvar for producenten med undtagelse af bestemmelserne i direktiv 2006/42/EF (ansvar for enhver fabrikationsfejl i produktet).

Maskinens typeskilt indeholder oplysninger om producent, maskine, tekniske specifikationer og CE-mærkning.

AFMONTERING OG BORTSKAFFELSE

Maskinen består af:

- aluminiumslegering;
- diverse indsatser og komponenter i rustfrit stål;
- elektriske komponenter og ledninger;
- elektrisk motor;

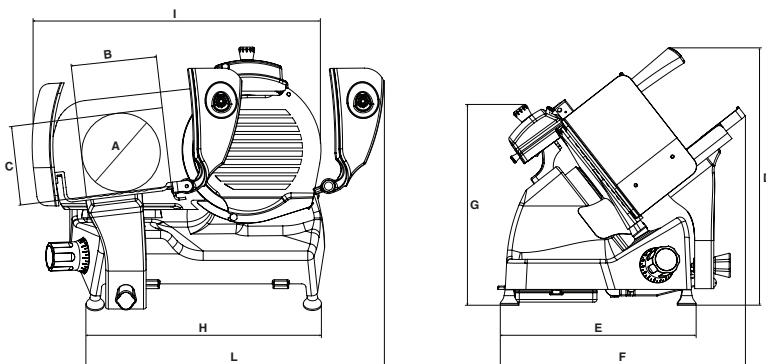
- plast osv.

Hvis opgaven overdrages til tredjemand, bør der kun anvendes autoriserede renovationselskaber til bortskaffelse af de ovennævnte materialer. Indeholder materialer, som kan genbruges eller genindvindes. En korrekt sortering inden bortskaffelsen gør genbrug og genindvinding nemmere. Når maskinens levetid er afsluttet, skal den afleveres til et indsamlingssted. De lokale myndigheder kan bistå med oplysninger om bortskaffelse.

Afhjælpning af fejl

PROBLEM	MULIG ÅRSAG	AFHJÆLPNING
Maskinen starter ikke, når der trykkes på startknappen	Strømforsyning mangler, eller styrekredsløbet er defekt	Kontrollér, som stikket er sat korrekt i stikkontakten. Hvis problemet fortsætter, skal servicecenteret kontaktes
Maskinen starter, når der trykkes på startknappen, men funktionsindikatoren tænder ikke	Defekt lysindikator	Brug ikke maskinen med slukket lysindikator Kontakt servicecenteret
For stor modstand, når produktet skæres	Klingen er ikke skarp	Slib klingen
Klingen standser eller bremser, når der skæres	Drivremmen kan være slap eller beskadiget	Kontakt servicecenteret for at få reguleret eller udskiftet remmen
Maskinen standser ikke, når der trykkes på stopknappen	Defekt styrekredsløb	Stands omgående maskinen ved at trække stikket ud af stikkontakten, og kontakt omgående servicecenteret
For stor modstand, når glidekomponenterne bevæges (pigplade, slæde)	Glideskinnerne er ikke blevet smurt regelmæssigt	Smør skinnerne regelmæssigt

PRO LINE XS 25 - XS 30



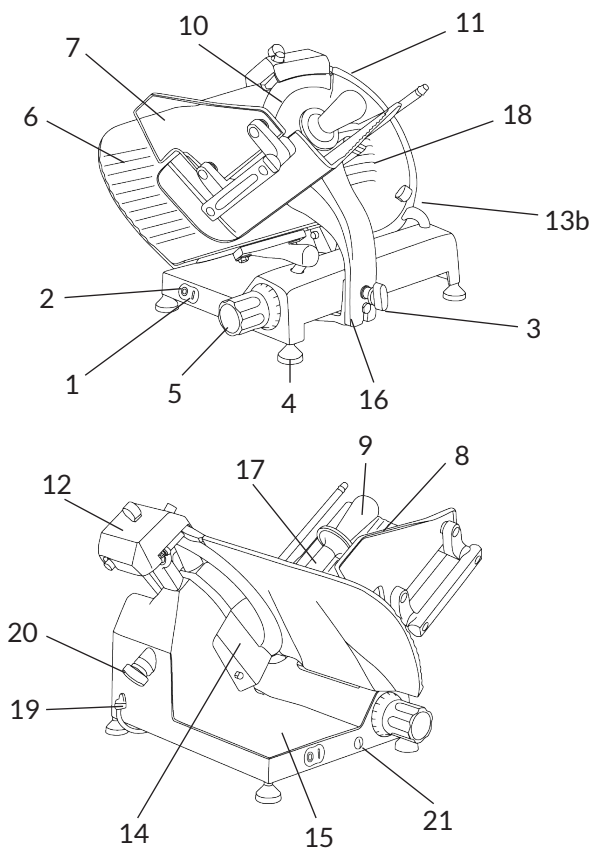
MODELLER	XS 25	XS 30
A	188 mm	215 mm
B	225 mm	245 mm
C	178 mm	195 mm
D	505 mm	545 mm
E	378 mm	415 mm
F	480 mm	595 mm
G	445 mm	435 mm
H	450 mm	506 mm
I	565 mm	640 mm
L	575 mm	645 mm
SPECIFIKATIONER		
Ø Klingediameter	250 mm	300 mm
Maks. skivetykkelse	0 -14 mm	0 -14 mm
Nettovægt	19 kg	26 kg
Kapacitet lineær skæring	225x178 mm	245x195 mm
Kapacitet rundskæring	188 mm	230 mm
Motoreffekt	0,33 kW	0,35 kW
Elektriske specifikationer	230/50/1 V - Hz	230/50/1 V - Hz 400/50/3 V - Hz

Bemærk: Som et resultat af løbende forskning til løbende at forbedre vores produkter, tekniske specifikationer kan mulige variationer.

MANUAL DEL USUARIO: Cortafiambres electricos Pro Line

MODELOS:

GL30, GL30AUTO, VS25, VS30, SLC 300 - 330 - 350, SLC 350A, XS 25, XS 30



COMPONENTES PRINCIPALES

1. Botón de encendido (blanco)
2. Botón de apagado (rojo)
3. Perilla de bloqueo plato
4. Pie de apoyo
5. Perilla de regulación espesor de la loncha
6. Placa calibradora de espesor (tabique)
7. Protección de seguridad
8. Plato carro
9. Brazo sujetador de alimentos
10. Cuchilla
11. Aro protector de la cuchilla (cubrefilo)
12. Afilador
- 13b. Manivela cubre cuchilla para XS
14. Paralonchas
15. Basamento
16. Carro
17. Sujetador de alimentos
18. Disco paracuchilla
19. Cable de alimentación
20. Tirante cubrecuchilla
21. Lubricador barra carro (si está presente)

DESCRIPCIÓN

Máquina cortadora de cuchilla circular diseñada para rebanar solamente los tipos de productos alimenticios y en las dimensiones máximas indicadas en este manual. Las piezas principales de la maquina se han representado en la figura 1. El esquema eléctrico en la figura 2.

DECLARACIÓN DE CONFORMIDAD

Las máquinas descritas en este manual cumplen con las Directivas 2006/42/CE, 2006/95/CE, 2004/108/CE, 2003/108/CE, 2011/65/CE, con el reglamento europeo (EC) 1935/2004 y con los relativos estandar como EN 1974:1998 +A1, EN60204-1, EN60335-1, EN60335-2-64.



SEGURIDAD

Para su seguridad, siga las siguientes instrucciones:

- lea todas las instrucciones antes de usar la máquina;
- este producto no está diseñado para ser utilizado por menores de edad;
- utilice la máquina sólo si se encuentra debidamente entrenado y en perfectas condiciones físicas y mentales;
- no use la máquina de forma alguna que no sea la indicada en este manual;
- use la maquina solamente si ésta se encuentra en perfectas condiciones estructurales, mecánicas y de eficiencia;
- instale la máquina en conformidad con las instrucciones indicadas en la sección "Instalación" de este manual;

- instale la máquina en una ubicación fuera del alcance de personas no autorizadas para operarla, especialmente de menores de edad;
- mantenga una alta concentración y evite distracciones al momento de usar la máquina;
- no permita que la máquina sea utilizada por personas que no han leído y entendido claramente el contenido de este manual;
- no utilice vestimenta demasiado holgada o con mangas abiertas;
- no permita que ninguna persona, además del operario, se acerque mientras la máquina se encuentra funcionando;
- no remueva, cubra o modifique las etiquetas informativas que se encuentran en la estructura de la máquina y, en caso de daño, reemplácelas inmediatamente;
- no remueva las cubiertas transparentes y no modifique ningún dispositivo de protección mecánico y/o eléctrico;
- corte solamente aquellos productos alimenticios del tipo permitido en este manual, no intente cortar ningún tipo de producto no permitido;
- siempre mantenga limpia y seca la superficie de apoyo del producto a cortar, así como el área alrededor de la máquina y el piso en donde se encuentra el operario;
- no use la máquina como superficie de apoyo y no coloque en ella ningún objeto distinto a los productos alimenticios a ser cortados;
- no utilice la máquina cuando, como resultado del desgaste, la distancia entre el filo de la cuchilla y el anillo protector de la cuchilla exceda de 6 mm. En este caso, contacte Van Berkel

- USA, Inc. para reemplazar la cuchilla;
 - no utilice la máquina con extensiones eléctricas, cables eléctricos temporales o sin aislante;
 - periódicamente revise las condiciones del cable eléctrico que alimenta la máquina. Cuando sea necesario, solicite que personal calificado lo reemplace;
 - inmediatamente suspenda el funcionamiento de la máquina en caso de una operación anormal, defectuosa, con movimientos incorrectos y/o ruidos extraños;
 - desconecte la máquina de la red eléctrica antes de limpiarla o darle mantenimiento;
 - use guantes protectores durante la limpieza y el mantenimiento de la máquina;
 - coloque o remueva los productos alimenticios a ser cortados solamente cuando la tabla o plato deslizante se encuentre completamente retraído y la perilla de ajuste del espesor de corte se encuentre en la posición de seguridad (en la posición 0) (Fig. A);
 - para el movimiento de la tabla o plato deslizante durante las operaciones de corte use solamente la manija ubicada sobre el brazo o sujetador de alimentos;
 - en ningún momento coloque sus manos sobre el producto alimenticio cuando está siendo cortado. Siempre mantenga sus manos detrás de los dispositivos de protección y lejos de la cuchilla;
 - no está permitido el uso de accesorios de corte que no hayan sido proporcionados por el fabricante.
- El fabricante de la máquina declina toda responsabilidad ge-

nerada por el uso inapropiado, modificaciones y/o reparaciones llevadas a cabo por el usuario o personal no autorizado, uso de repuestos no originales o no específicos al modelo de la máquina.

La máquina no debe ser utilizada en áreas abiertas y/o áreas expuestas a agentes atmosféricos y ambientes con vapores, humos o polvos corrosivos y/o abrasivos, con riesgo de fuego o explosión y en todo lugar donde el uso de componentes anti-explosivos sea requerido.

Condiciones ambientales de operación:

- Temperatura de -5°C a +40°C
- Max. humedad 95%

NO CORTAR:

- alimentos congelados;
- alimentos con hueso;
- cualquier otro producto que no sea alimento;
- El contacto de partes de aluminio con alimentos fuertemente ácidos o altamente salados no esta recomendado.

El anillo de seguridad alrededor de la cuchilla está hecha de acuerdo con la norma europea EN 1974:1998 +A1 pero, con la finalidad de permitir la operación de afilado, la protección en el zona del afilado puede no eliminar del todo el riesgo de corte.

! ¡PRECAUCION! ¡Riesgo de lesión por cuchilla afilada!

Durante la limpieza de la cuchilla y la operación de afilado, ponga atención adicional en mantener sus manos tan lejos como sea posible del área no protegida. El uso de guantes de protección es recomendado.

INSTALACIÓN

Instale la máquina en una superficie plana, lisa y seca, adecuada para soportar el peso mismo de la máquina además de los productos que serán cortados.

! ¡PRECAUCIÓN! Verifique que no existan obstáculos en el movimiento de la tabla o plato deslizante, así como en el posicionamiento de los productos alimenticios a ser cortados.

La máquina debe ser instalada lo más cercana posible a una toma eléctrica conectada a un suministro de electricidad debidamente regulatorio, en conformidad a las normas existentes con respecto a:

- protección termo-magnética;
- apagador automático diferencial;
- conexión a tierra.

Antes de conectar la máquina a la toma eléctrica, verifique que las características del suministro eléctrico estén en conformidad a aquellas indicadas en la etiqueta informativa de la máquina.

OPERACIÓN

! ¡PRECAUCIÓN! ¡Riesgo de lesión por cuchilla afilada!

Revise que la perilla de ajuste del espesor de corte (5) esté en la posición de seguridad (en la posición 0) (Fig. A).

1. Deslice la tabla o plato de alimentos (8) hacia atrás (en dirección del operario) en la posición de colocación del producto alimenticio (Fig. B);
2. levante el sujetador de alimentos (17) a la posición de reposo;
3. coloque el producto a cortar

en la tabla o plato de alimentos cerca de la barrera protectora del operario. Baje el sujetador de alimentos aplicando una ligera presión;

4. ajuste el grosor del corte por medio de la perilla. Active la cuchilla (10) presionando el botón de arranque (1). Tome la manija del sujetador de alimentos (9) y comience un movimiento alternado de corte;
5. al terminar la operación de corte regrese la perilla de ajuste del espesor de corte a la posición de seguridad y deslice hacia atrás la tabla o plato de alimentos. Detenga el movimiento de la cuchilla presionando el botón de apagado (2).

LIMPIEZA

Antes de usarse, la máquina debe ser limpiada al menos una vez al día, o más seguido en caso de ser necesario, y siempre después de largos periodos de inactividad.

! ¡PRECAUCIÓN! ¡Riesgo de choque eléctrico!

Antes de limpiarla, desconecte la máquina de la toma eléctrica y coloque la perilla de ajuste de grosor de corte en posición de seguridad.

! ¡PRECAUCIÓN! ¡Riesgo de lesión por cuchilla afilada!

Revise que la perilla de ajuste del espesor de corte (5) esté en la posición de seguridad (en la posición 0) (Fig. A).

NO LAVE NINGUNA PARTE EN EL LAVAVAJILLAS!

Productos para limpieza: use solamente agua caliente y un detergente ligero biode-

gradable, utilizando una tela suave y un cepillo semi-rígido de nylon para las áreas filosas de la tabla y el sujetador de alimentos. No limpie la máquina con chorros de agua o vapor y otros métodos similares.

Desmontaje:

- tabla o plato carro:


1) liberar la bandeja de alimentos girando el sentido horario el mango de fijación. Con la manilla de regulación del grosor en posición segura, retraer el soporte de la bandeja completamente, hasta el tope, hacia el operador: un sonido metálico avisa al operador de que la bandeja de alimentos está bloqueada; 2) desmontar el sujetador de alimentos; 3) extraer la bandeja de alimentos desmontado la bandeja de soporte (Fig. D);

- cubierta de la cuchilla:

1) aflojar girando en sentido contrario a las agujas del reloj el mango que tira del disco cubrecuchilla; 2) para levantar el disco de la cuchilla presionar el mango en la dirección de la cuchilla (Fig. E);

- deflector de corte:

aflojar el tornillo de fijación (si está presente) y retirar el desviador de lonchas (Fig. F).

 **¡PRECAUCIÓN! ¡Riesgo de lesión por cuchilla afilada!** Para las operaciones de limpieza de las áreas afiladas de la máquina, el sujetador de alimentos y la cuchilla, el uso de guantes protectores es recomendado.

Limpieza:

- cuchilla: pase una tela húmeda sobre la superficie de la cuchilla y deslícela lentamente


del centro hacia afuera en el lado de la cubierta de la cuchilla y en el lado opuesto (Fig. G). De la misma manera remueva la humedad con una tela seca; - anillo de seguridad: use un cepillo suave para limpiar el área entre la cuchilla y el anillo de seguridad. Sea cuidadoso de NO colocar sus manos cerca de la cuchilla;

- cuerpo de la máquina; use una tela húmeda o esponja, enjuagando frecuentemente en agua caliente. Seque cuidadosamente.

MANTENIMIENTO

Afilado de la cuchilla

La frecuencia y duración del afilado de la cuchilla dependen del uso del equipo.

 **¡PRECAUCIÓN!** Si la máquina está equipada con su afilador opcional específico, siga las instrucciones. De lo contrario, póngase en contacto con el fabricante o con uno de los Centros de Servicio Autorizados (consulte SERVICIO).

Para afilar, siga las instrucciones siguientes:

1. coloque la perilla de ajuste de grosor en la posición de seguridad (Fig. A);
2. deslice la tabla o plato de alimentos hacia atrás (Fig. B);
3. levantar la tapa del dispositivo de afilado (Fig. L);
4. pulsar el botón de encendido;
5. Para los modelos XS 25, XS 30, presione el botón de afilado durante 10-15 segundos (Fig. O1); luego presione el botón de desbarbado durante 3-5 segundos (Fig. O2)
6. detenga el movimiento de la cuchilla al presionar el botón

de apagado;

7. llevar el dispositivo a la posición inicial

8. bajar la tapa de protección del dispositivo de afilado;

9. proceda con la limpieza de la cortadora.


Lubricación

Después de un período de uso regular, tal vez sea necesario lubricar las guías de deslizamiento. Recomendamos ejecutar esta operación cada 3 meses. Para lubricación, sólo use aceite libre de ácidos (recomendamos Vaselina). No use aceite vegetal.

ASISTENCIA

El embalaje de suministro no contiene piezas de repuesto. Las reparaciones y cambios (cuchilla, correa, componentes eléctricos, piezas estructurales, etc.) han de ser llevados a cabo exclusivamente por personal autorizado por el fabricante.

Para informaciones sobre los Centros de Servicio, enviar un correo a: service@berkelinternational.com.

 **¡ATENCIÓN!** Hay que *sostener la cuchilla cuando la distancia entre el hile de la cuchilla y el borde interno de la protección superan los 6 mm.*

GARANTÍA Y RESPONSABILIDAD

El fabricante suministra máquinas con una garantía de 24 meses de duración, a partir de la fecha de compra. La garantía solo cubre los defectos detectados haciendo un uso apropiado y según las condiciones de uso previstas por el

manual. La garantía no cubre defectos debidos al transporte, incompetencia o negligencia del comprador, instalación o posicionamiento impropio, daños por desgaste, voltaje superior al 10% del valor nominal. Además, la garantía no cubre componentes intrínsecamente sujetos a desgaste, como la cuchilla y los muelles del afilador, excepto en caso de evidente defecto de fabricación.

El fabricante declina toda responsabilidad directa e indirecta derivada de:

- incumplimiento de las instrucciones del manual.
- uso no conforme a la normativa dominante en el país de instalación.
- modificaciones y/o reparaciones en la máquina no autorizadas
- uso de accesorios y piezas de

recambio no originales
- eventos excepcionales.

La transferencia de propiedad de la máquina implica la exención inmediata de cualquier responsabilidad por parte del fabricante, a excepción de la observancia de la directiva 2006/42/CE (responsabilidad por cualquier defecto de fabricación del producto).

La placa de identificación ubicada en la base de la máquina indica el fabricante, la máquina la información técnica y el marcado CE.

DESTRUCCIÓN DE LA CORTADORA

Todas las unidades están compuestas de:

- estructura de aleación aluminio/magnesio;
- insertos y varios componen-

tes de acero inoxidable;

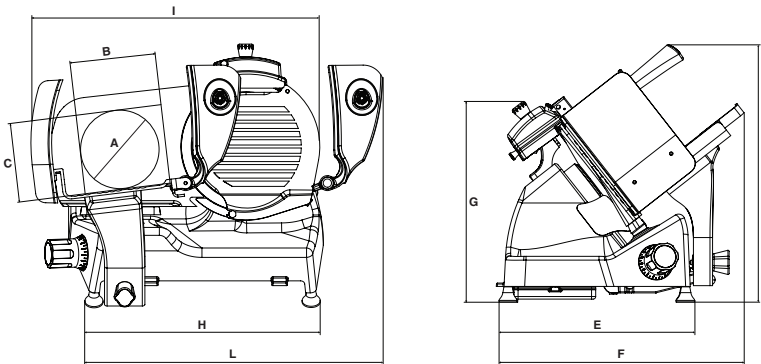
- partes y cables eléctricos;
- motor eléctrico;
- materiales de plástico, etc.

Si el desmantelamiento y destrucción se lleva a cabo por terceros, use solamente compañías autorizadas para disponer de los materiales ya mencionados. Empaques y electrodomésticos contienen partes reciclables. Su unidad contiene materiales de valor que pueden ser recuperados o reciclados. La separación del resto de los materiales de desecho en distintos tipos facilita el reciclaje de materias primas valiosas. Entregue los electrodomésticos en un centro de recolección. Puede obtener información de parte de las autoridades locales.

Resolución de problemas

PROBLEMA	CAUSA PROBABLE	SOLUCIÓN
Cuando se pulsa el botón de encendido la máquina no se pone en marcha	Falla de alimentación o circuito de control defectuoso	Compruebe que la clavija esté correctamente enchufada, si el problema continúa contacte con el Centro de Servicios
Cuando se pulsa el botón de encendido la máquina se pone en marcha pero no se enciende el indicador luminoso de funcionamiento	Indicador defectuoso	No utilice la máquina con el indicador luminoso apagado. Contacte con el servicio de asistencia
Excesiva resistencia al corte del producto	Cuchilla desafilada	Afilarse la cuchilla
La cuchilla, cuando se somete a esfuerzo, funciona lentamente o se para	Correa aflojada o dañada	Contacte con el centro de servicios para regular o cambiar la correa
Cuando se pulsa el botón de apagado la máquina no se para	Circuito de control defectuoso	Detenga inmediatamente la máquina desenchufándola y llame inmediatamente a un centro de servicio
Excesiva resistencia al desplazamiento de componentes móviles (sujetador de alimentos, carro)	Lubricación de las guías de deslizamiento no realizada periódicamente	Lubricar periódicamente

PRO LINE XS 25 - XS 30

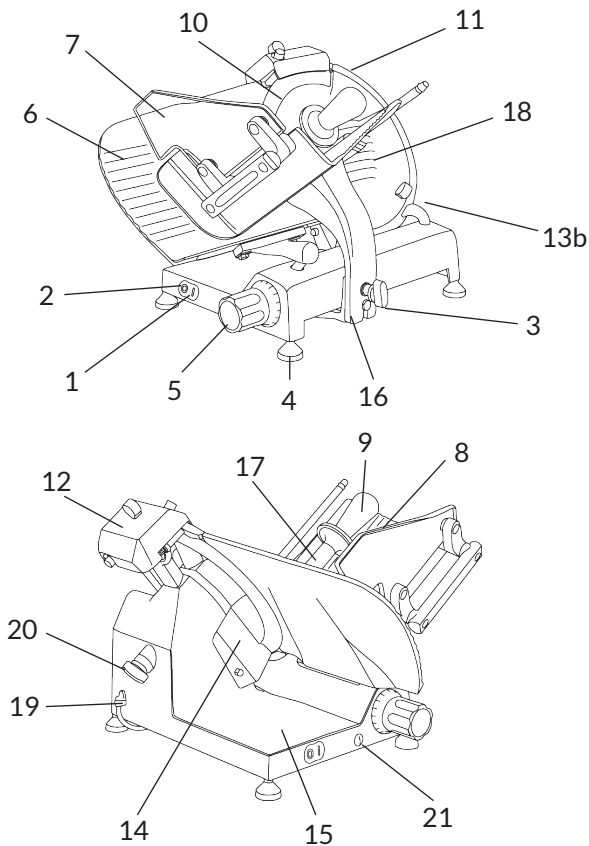


MODELO	XS 25	XS 30
A	188 mm	215 mm
B	225 mm	245 mm
C	178 mm	195 mm
D	505 mm	545 mm
E	378 mm	415 mm
F	480 mm	595 mm
G	445 mm	435 mm
H	450 mm	506 mm
I	565 mm	640 mm
L	575 mm	645 mm
ESPECIFICACIONES		
∅ Diametro lama	250 mm	300 mm
Capacidad máxima de corte	0 -14 mm	0 -14 mm
Peso neto	19 kg	26 kg
Capacidad (rectangular)	225x178 mm	245x195 mm
Capacidad (circular)	188 mm	230 mm
Potencia motor	0,33 kW	0,35 kW
Electromotor	230/50/1 V - Hz	230/50/1 V - Hz 400/50/3 V - Hz

Nota: Dada la continua mejora de nuestros productos, las características técnicas están sujetas a posibles variaciones sin previo aviso por parte de nuestra empresa.

HANDLEIDING: Elektrische snijmachines Pro Line

MODELLEN:
XS 25, XS 30



ONDERDELEN VAN DE MACHINE

1. Startknop (wit)
2. Stopknop (rood)
3. Blokkeerknop vleestafel
4. Poot
5. Dikteregelaar
6. Plaat diktemeter dikteplaat)
7. Beveiliging
8. Vleestafel
9. Greep van vleesklem
10. Mes
11. Veiligheidsring (mesbescherming)
12. Slijpparaat
- 13b. Mesplaatknop voor XS
14. Kroon
15. Onderstel
16. Wagen
17. Vleesklem
18. Schijf mesbescherming
19. Voedingskabel
20. Trekstang mesplaat
21. Oliespuit (indien aanwezig)

BESCHRIJVING

Professionele snijmachines met rond mes, ontworpen voor het snijden van levensmiddelen van het soort en met de afmetingen beschreven in deze handleiding. Afbeelding 1 toont de hoofdonderdelen van de machine. Afbeelding 2 toont het schakelschema.

VERKLARING VAN OVEREENSTEMMING

De machines beschreven in deze handleiding stemmen overeen met de richtlijnen 2006/42/EG, 2006/95/EG, 2004/108/EG, 2003/108/EU, 2011/65/EG, het Europese reglement (EG) 1935/2004 en de desbetreffende normen EN 1974:1998 +A1, EN60204-1, EN60335-1, EN60335-2-64.



VEILIGHEID

Let voor uw veiligheid goed op de volgende aanwijzingen:

- lees aandachtig de aanwijzingen door voordat u de machine gebruikt;
- het product mag niet worden gebruikt door kinderen;
- gebruik de machine uitsluitend als u voldoende ingelicht bent en u in perfecte lichamelijke en geestelijke toestand verkeert;
- gebruik de machine op geen enkele andere wijze dan degene die in deze handleiding is beschreven;
- installeer de machine in overeenstemming met de aanwijzingen beschreven in de paragraaf 'Installatie';
- installeer de machine op een plaats buiten bereik van men-

sen en met name kinderen die niet in het gebruik betrokken zijn;

- wees geconcentreerd tijdens het gebruik van de machine, laat u niet afleiden;
- laat de machine niet gebruiken door personeel dat de inhoud van deze handleiding niet gelezen en begrepen heeft;
- geen loshangende kleding of kleding met wijde mouwen dragen;
- sta nooit toe dat iemand anders dan de gebruiker de machine tijdens het snijden van het product benadert;
- de plaatjes van de machine niet verwijderen, afdekken of wijzigen en ze onmiddellijk vervangen wanneer ze beschadigd raken;
- de transparante beveiligingen niet verwijderen of wijzigen en de elektrische en mechanische beveiligingen niet omzeilen;
- snij uitsluitend de toegestane producten, probeer geen verboden producten te snijden;
- houd het steunvlak van het gesneden product, het werkblad rondom de machine en de vloer waar de gebruiker op staat altijd schoon en droog;
- de machine niet gebruiken als een steunvlak en er geen voorwerpen op aanbrengen die niet tijdens de normale snijwerkzaamheden nodig zijn;
- de snijmachine niet gebruiken als de afstand tussen de snede van het mes en de mesbeschermer door normale slijtage groter dan 6 mm is geworden. Neem in dit geval contact op met de fabrikant of een van de erkende servicecentra om het mes te laten vervangen;
- gebruik de machine niet met 'zwevende' elektrische aansluitingen met tijdelijke of niet-ge-

isoleerde kabels;

- controleer regelmatig de staat van de voedingskabel en de kabelwartel op het huis van de machine; vervang de kabel onmiddellijk wanneer dit nodig is. Wend u voor de ingreep tot gekwalificeerd personeel;
 - leg de machine onmiddellijk stil in het geval van een defect, een vreemde werking, een vermeende breuk, verkeerde bewegingen of vreemde geluiden;
 - haal de machine van de elektrische voeding los alvorens reinigingen of onderhoud te verrichten;
 - gebruik beschermende handschoenen voor de reiniging en het onderhoud;
 - breng het te snijden product op de snijtafel aan en verwijder het ervan wanneer de wagen helemaal naar achteren is bewogen en de knop van de dikteregelaar in de veilige stand is geplaatst (Afb. A);
 - gebruik uitsluitend de greep op de arm of de handgreep van de vleesklem voor het verplaatsen van de vleestaaf tijdens het snijden;
 - het is niet toegestaan om snijaccessoires te gebruiken die de fabrikant niet samen met de machine heeft geleverd.
- De fabrikant acht zich niet direct of indirect aansprakelijk voor een oneigenlijk gebruik, onbevoegde wijzigingen en/of reparaties aan de machine of het gebruik van niet-originele accessoires en onderdelen.
- De machine mag niet worden gebruikt in de openlucht en/of op plaatsen waar ze wordt blootgesteld aan weersinvloeden en in ruimtes waar vocht, bijtende en/of schurende dampen of stof aanwezig zijn, in ruimtes waar brand- o expl-

siegevaar bestaat en in elke ruimte waar het gebruik van explosieveilige componenten wordt voorgeschreven.


Gebruiksomstandigheden:

- Temperatuur -5°C tot +40°C
- Max. vochtigheid 95%

NIET SNIJDEN:


- bevroren levensmiddelen;
- diepgevroren levensmiddelen;
- levensmiddelen met bot (vlees en vis);
- elk ander product dat geen levensmiddel is;
- contact van aluminiumcomponenten met sterk zure of zeer zoute voedingsmiddelen wordt niet aanbevolen.

De veiligheidsring rondom het mes stemt overeen met de Europese norm EN 1974:1998 +A1. Desondanks verwijderd de bescherming van de slijpzone niet volledig het gevaar voor snijwonden.

 **OPGELET!** Zorg ervoor dat u de handen zo ver mogelijk bij de onbeschermd zone verwijderd houdt tijdens het schoonmaken en slijpen van het mes. Het gebruik van beschermende handschoenen wordt aanbevolen.

INSTALLATIE

Installeer de machine op een droge, gladde en vlakke ondergrond die het gewicht van de machine en het te snijden product kan dragen.

 **WAARSCHUWING:** Verifieer of de vleestafel ongehinderd kan bewegen en of het te snijden product zonder problemen op de vleestafel

kan worden geplaatst.

Installeer de machine in de buurt van een stopcontact die overeenstemt met de EEG-normen en die is aangesloten op een installatie die voldoet aan de toepasselijke normen inzake:

- magnetothermische beveiliging;
- automatische differentieel-schakelaar (aardleeschakelaar);
- aarding.

Verifieer of de eigenschappen van het elektriciteitsnet met de gegevens op het typeplaatje van de machine overeenstemmen, alvorens de machine erop aan te sluiten.

GEBRUIK VAN DE SNIJMACHINE

 **OPGELET!** *Scherp mes, gevaar voor snijwonden!*

Controleer of de knop van de dikteregelaar (5) in de veilige stand (stand 0) is geplaatst (Afb. A).

1. Beweeg de vleestafel (8) volledig achteruit naar de gebruiker, in de stand waarin het product kan worden aangebracht (Afb. B);

2. klap de vleesklem (17) omhoog en plaats hem in de ruststand;

3. breng het te snijden product aan tegen de rand op de vleestafel, aan de zijde van de gebruiker. Blokkeer het product met de vleesklem door deze iets in het product te drukken;


4. stel de dikte van de plak af. Schakel het mes (10) in met de startknop (1). Pak de greep van de vleesklem (9) vast en start de snijbeweging;

5. plaats de knop van de dik-

teregelaar aan het einde van de snijwerkzaamheden in de veilige stand en trek de wagen naar achteren. Breng het mes tot stilstand met een druk op de stopknop (2).

REINIGING

Houd de machine goed schoon. Maak de machine wanneer ze gebruikt wordt minstens eenmaal per dag of zelfs vaker schoon. We adviseren om de machine ook vóór het gebruik schoon te maken als ze een tijd lang niet is gebruikt.

 **OPGELET!** *Elektrocutiegevaar!* Haal de stekker uit het stopcontact en plaats de knop van de dikteregelaar in de veilige stand, alvorens de machine schoon te maken.

 **OPGELET!** *Scherp mes, gevaar voor snijwonden!*

Controleer of de knop van de dikteregelaar (5) in de veilige stand (stand 0) is geplaatst (Afb. A).

DE COMPONENTEN NIET IN DE VAATWASSER WASSEN!

Schoonmaakmiddelen: gebruik uitsluitend water en een biologisch afbreekbaar schuimend afwasmiddel, een zachte sponsdoek en een halfzachte nylon borstel voor de zones van de vleestafel en de puntige vleesklem. Maak de machine niet schoon met waterstralen of stoom of soortgelijke methoden.

Verwijder:

- vleestafel:

- 1) maak de vleestafel los door de bevestigingshendel rechtsom te draaien. Plaats de knop van de dikteregelaar

in de veilige stand, verplaats de vleestafelsteun helemaal naar achteren in de richting van de gebruiker: met een metalen klik weet de gebruiker dat de vleestafel is vergrendeld; 2) verwijder het vleesklem; 3) verwijder de vleestafel door deze van de steun te schuiven (Afb. D);

- de mesplaat:

1) draai het los door de handgreep van de trekstang van de mesplaat linksom te laten draaien; 2) druk op de greep in de richting van het mes om de schijf van het mes op te heffen; til de schijf mesbescherming op (Afb. E);

- kroon:

draai de bevestigingsschroef (indien aanwezig) los en verwijder de kroon (Afb. F).

! OPGELET! Scherp mes, gevaar voor snijwonden! We adviseren om beschermende handschoenen te dragen voor de reiniging van de slijpzone, de vleestafel, de vleesklem en het mes.

Maak het volgende schoon:

- mes: druk een vochtige doek tegen het oppervlak van het mes en verplaats de doek aan de zijde van de mesplaat en aan de andere zijde langzaam vanuit het midden naar buiten, zie de afbeelding (Afb. G).
Maak het mes op dezelfde wijze droog met een droge doek;
- veiligheidsring: maak de zone tussen het mes en de veiligheidsring schoon met een halfzacht nylon borsteltje;
- machinebehuizing: maak de machinebehuizing schoon met een vochtige doek of een spons en spoel met water af. Maak zorgvuldig droog.

ONDERHOUD

Mes slijpen

De regelmaat en de duur van het slijpen hangen af van het gebruik van de apparatuur.

! OPGELET! We adviseren om de aanwijzingen nauwgezet te volgen als de machine is voorzien van een ingebouwd slijpparaat. Neem contact op met de fabrikant of een van de erkende servicecentra (zie SERVICE) als dit niet het geval is.

Volg de aanwijzingen voor het slijpen:

1. plaats de knop van de dikteregelaar in de veilige stand (Afb. A);
2. verplaats de vleestafel helemaal naar achteren (Afb. B);
3. til de kap van het slijpparaat omhoog (Afb. L);
4. druk op de startknop;
5. Voor modellen XS 25, XS 30, houdt u de slijpknop 10-15 seconden ingedrukt (Afb. O1); druk vervolgens 3-5 seconden op de ontbraamknop (Afb. O2);
6. breng het mes tot stilstand met een druk op de stopknop;
7. het apparaat terug te zetten in de oorspronkelijke positie
8. laat de beschermkap van het slijpparaat zakken;
9. maak de slijpmachine schoon.

Smeren

Als de machine een bepaalde periode lang gebruikt is, kan het zijn dat u de geleiders van de wagen moet smeren. We adviseren om deze handeling elke 3 maanden te verrichten. Gebruik voor het smeren uitsluitend niet-zure olies (we adviseren vaseline-olie). Geen plantaardige olies gebruiken.

ASSISTENTIE

In de verpakking zijn geen vervangende onderdelen aangebracht. Reparaties en vervangingen (zoals het vervangen of repareren van het mes, de riem, de elektrische componenten, onderdelen van de structuur, enz.) mogen uitsluitend worden verricht door personeel dat door de fabrikant is aangewezen.

Stuur de machine naar de fabrikant of een erkend servicecentrum als een reparatie nodig is. Wend u tot service@berkelinternational.com voor informatie over de servicecentra.

! OPGELET! Het mes moet worden vervangen wanneer de afstand tussen de sneede van het mes en de binnenste rand van de bescherming groter dan 6 mm is.

GARANTIE EN AANSPRAKELIJKHEID

De machines van de fabrikant worden gedekt door een garantie van 24 maanden met ingang van de aankoopdatum. De garantie dekt uitsluitend defecten die worden vastgesteld bij een correct gebruik in overeenstemming met de aanwijzingen van de handleiding. De garantie dekt geen schade veroorzaakt door het transport, nalatigheid of onbekwaamheid van de koper, een verkeerde installatie of plaatsing, slijtage of een spanning die meer dan 10% hoger dan de nominale waarde is. De garantie dekt geen intrinsiek slijtagegevoelige onderdelen, zoals het mes en de slijpstenen van het slijpparaat, tenzij er

sprake is van een duidelijk defect in de productie.

De fabrikant acht zich niet direct of indirect aansprakelijk voor:

- de veronachtzaming van de aanwijzingen van deze handleiding;
- gebruik zonder naleving van de toepasselijke wetgeving van het land van installatie;
- onbevoegde reparaties en/of wijzigingen aan de machine;
- gebruik van niet-originele accessoires of onderdelen;
- buitengewone gebeurtenissen.

Bij een eigendomsoverdracht komt elke vorm van aansprakelijkheid van de fabrikant te vervallen, m.u.v. de naleving van de richtlijn 2006/42/EG (aansprakelijkheid voor elk

defect in de productie van het product).

Het typeplaatje op het onderstel van de machine bevat de fabrikant, de machine, de technische informatie en de CE-markering.

AFBRAAK EN VERWIJDERING

De machine is gemaakt van:

- aluminiumlegering;
- diverse componenten en elementen van roestvrij staal;
- elektrische onderdelen en kabels;
- elektromotor;
- kunststof, enz.

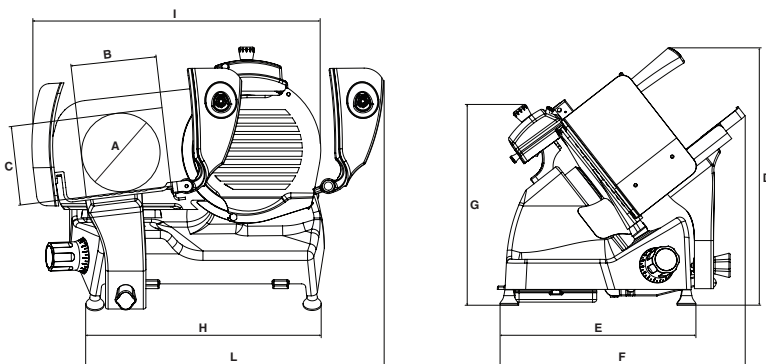
Wend u uitsluitend tot erkende bedrijven voor de eliminatie van de bovengenoemde materialen als de verwijdering door

derden wordt verricht. Het apparaat bevat materialen die teruggewonnen of gerecycled kunnen worden. Een correcte gescheiden inzameling ervan bevordert de recycling. Breng het apparaat aan het einde van de levensduur naar een inzamelingspunt. Bij de lokale autoriteiten kunt u informatie inwinnen over de verwijdering.

Problemen oplossen

PROBLEEM	MOGELIJKE OORZAAK	OPLOSSING
De machine schakelt niet in wanneer op de startknop wordt gedrukt	Geen voeding of controlecircuit defect	Controleer of de stekker goed is aan-gebracht. Neem contact op met het servicecentrum als het probleem niet kan worden verholpen
De machine schakelt in wanneer op de startknop wordt gedrukt, maar het lampje "machine aan" gaat niet branden	Lampje defect	De machine niet gebruiken als het lampje niet brandt. Contact opnemen met het servicecentrum
Te grote weerstand bij het snijden van het product	Het mes is bot	Slijp het mes
Bij belasting draait het mes langzamer of komt het tot stilstand	De riem kan losgeraakt of beschadigd zijn	Neem contact op met het servicecentrum om de riem te laten afstellen of vervangen
De machine stopt niet wanneer op de stopknop wordt gedrukt	Bedieningscircuit defect	Schakel de machine onmiddellijk uit, haal de stekker uit het stopcontact en neem onmiddellijk contact op met het servicecentrum
Te veel weerstand bij de verplaatsing van de bewegende componenten (vleesklem, wagen)	Geleiders niet regelmatig gesmeerd	De periodieke smering verrichten

PRO LINE XS 25 - XS 30

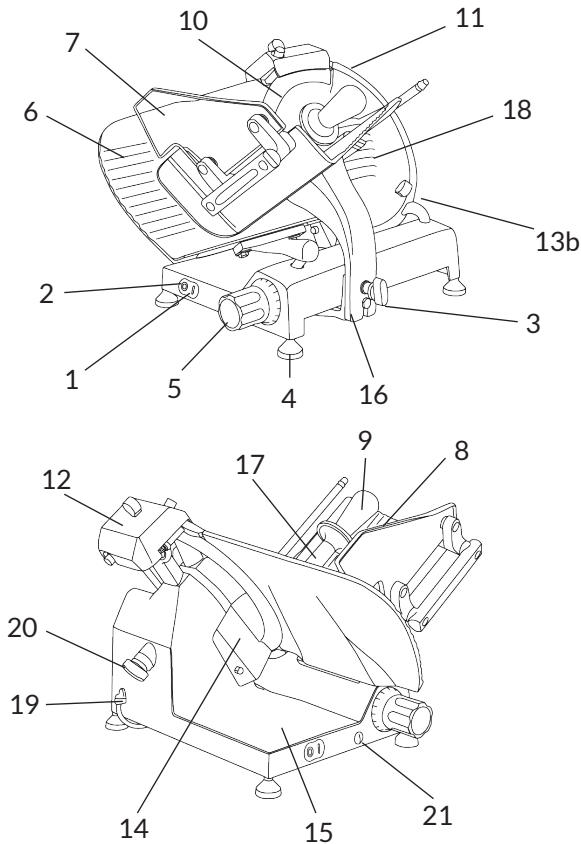


MODELLEN	XS 25	XS 30
A	188 mm	215 mm
B	225 mm	245 mm
C	178 mm	195 mm
D	505 mm	545 mm
E	378 mm	415 mm
F	480 mm	595 mm
G	445 mm	435 mm
H	450 mm	506 mm
I	565 mm	640 mm
L	575 mm	645 mm
SPECIFICATIES		
ø Mesdiameter	250 mm	300 mm
Maximale snijdikte	0 -14 mm	0 -14 mm
Nettogewicht	19 kg	26 kg
Snijcapaciteit (rechthoekig)	225x178 mm	245x195 mm
Snijcapaciteit (rond)	188 mm	230 mm
Vermogen motor	0,33 kW	0,35 kW
Elektrische specificaties	230/50/1 V - Hz	230/50/1 V - Hz 400/50/3 V - Hz

Opmerking: Zoals we voortdurend verbeteren van onze producten, kunnen de specificaties zonder voorafgaande kennisgeving worden gewijzigd.

BRUKSANVISNING: Elektriske skjæremaskiner Pro Line

MODELLER:
XS 25, XS 30



MASKINDELER

1. Startknapp (hvit)
2. Stoppknapp (rød)
3. Bryter for låsing av platen
4. Fot
5. Bryter for regulering av skivetykkelse
6. Tykkelsesplate (plate)
7. Sikkerhetsbeskyttelse
8. Produktholderplate
9. Håndtak for produktskyver
10. Skjæreblad
11. Sikkerhetsring (skjærebladdeksel)
12. Slipeenhet
- 13b. Bryter for skjærebladdeksel for XS
14. Skiveleder
15. Sokkel
16. Vogn
17. Produktskyver
18. Skive for skjærebladdeksel
19. Strømkabel
20. Blokkeringsinnretning skjærebladdeksel
21. Smøreinnretning (hvis tilstede)

BESKRIVELSE

Profesjonelle skjæremaskiner med rundt knivblad, laget utelukkende for oppskjæring av matvarer av den typen og innenfor de dimensjonsgrensene som er angitt i denne bruksanvisningen. De viktigste delene som maskinen består av er illustrert i figur 1. Det elektriske skjemaet er angitt i figur 2.

SAMSVARERKLÆRING

Maskinene som er beskrevet i denne bruksanvisningen er i samsvar med direktivene 2006/42/EF, 2006/95/EF, 2004/108/EF, 2003/108/EF, 2011/65/EF, med Europadirektivet (EF) 1935/2004 og tilhørende normativer EN 1974:1998 +A1, EN60204-1, EN60335-1, EN60335-2-64.



SIKKERHET

For din egen sikkerhet, vær oppmerksom på følgende instruksjoner:

- Les alle instruksjonene grundig før du bruker maskinen;
- produktet er ikke laget for å brukes av barn;
- Bruk kun maskinen hvis du har fått skikkelig opplæring og er i utmerket fysisk og mental form;
- ikke bruk maskinen på noen måte annen den som er angitt i denne bruksanvisningen;
- installer maskinen i overensstemmelse med instruksjonene gitt i kapittelet 'Installasjon';
- installer maskinen på et sted der den er utenfor utenforstående og særlig barns, rekkevidde;
- bruk maskinen med maksimal

konsentrasjon, ikke la deg distrahere under bruk;

- ikke la maskinen brukes av personale som ikke har lest og forstått innholdet i denne bruksanvisningen til fulle;
- ikke bruk løstsittende plagg eller plagg med vide ermer;
- ikke la noen, bortsett fra operatøren, nærme seg maskinen mens den er i funksjon;
- ikke fjern, dekk til eller endre etikettene som er plassert på selve maskinen. Skift dem ut hvis de skulle bli skadet;
- ikke fjern de gjennomsiktige beskyttelsene og ikke endre eller utelukke mekaniske og elektriske beskyttelser;
- skjær kun opp tillatte produkter, forsøk aldri å skjære opp produkter som ikke er tillatt;
- hold alltid området der det oppskårede produktet plasseres, arbeidsområdet rundt hele maskinen og gulvet der operatøren står rent og tørt;
- ikke bruk maskinen til å legge fra deg ting og ikke legg noen ting som ikke angår selve skjæreoperasjonen på maskinen;
- ikke bruk skjæremaskinen når avstanden mellom kanten på skjærebladet og sikkerhetsringen som beskytter bladet, som følge av normal slitasje, har oversteget 6 mm, i så tilfelle må du kontakte produsenten eller et autorisert serviceverksted for å få bladet skiftet ut;
- ikke bruk maskinen med elektriske koblinger av den provisoriske typen, slik som provisoriske eller ikke isolerte kabler;
- kontroller regelmessig tilstanden til strømkabelen og hylsen på maskinens hoveddel, skift dem ut om nødvendig Når det er behov for inngrep, ta kontakt med kvalifisert personale;
- stans maskinen umiddelbart

i tilfelle av defekter, unormal bruk, mistanke om skader, feilaktige bevegelser, uvanlige lyder;

- før du foretar rengjøring eller vedlikehold må du alltid koble maskinen fra strømmettet;
 - bruk vernehansker for rengjøring og vedlikehold;
 - plasser og flytt varene som skal skjæres opp på den bevegelige platen kun med vognen helt trukket tilbake og med bryteren for regulering av tykkelse plassert i sikkerhetsposisjon (Fig. A);
 - for å bevege produktholderplaten under skjæring må du kun bruke håndtaket plassert på armen eller håndtaket på produktskyveren;
 - det er ikke tillatt å bruke skjæretilbehør som ikke har blitt levert av produsenten sammen med maskinen. Produsenten fraskriver seg alt direkte og indirekte ansvar for situasjoner som skyldes upassende bruk, uautoriserte endringer og/eller reparasjoner utført på maskinen, eller bruk av ikke originale reservedeler og tilbehør.
- Maskinen må ikke brukes uten dørs og/eller utsatt for vær og vind, eller på steder der det finnes damp, røyk eller korroderende og/eller slipende støv, der det er fare for brann eller eksplosjon eller uansett der anvendelse av brannsikre komponenter er forutsatt.

Bruksbetingelser:

- Temperatur fra -5°C til +40°C
- Maks. fuktighet 95%

IKKE SKJÆR OPP:

- dypfryste matvarer;
- frosne matvarer;
- matvarer med bein (kjøtt og fisk);

- alle eventuelle produkter som ikke er matvarer;
- kontakt av aluminium komponenter med sterkt sure eller sterkt salte matvarer anbefales ikke.

Sikkerhetsringen rundt bladet er laget i samsvar med den europeiske standarden EN 1974:1998 +A1, men beskyttelsen av skjæreområdet kan likevel ikke fjerne faren for kutt fullstendig.

! **ADVARSEL!** Under rengjøring av og sliping av knivbladet må du utvise maksimal forsiktighet og holde hendene lengst mulig borte fra det ubeskyttede området. Vi anbefaler at du bruker beskyttende hansker.

INSTALLASJON

Installer maskinen på et jevnt og glatt underlag som er i stand til å tåle vekten av selve maskinen pluss varene som skal skjæres opp.

! **OBS:** Kontroller at det ikke forekommer noen hindringer for platens løp og for plassering av varene som skal skjæres opp på selve platen.

Maskinen må installeres rett i nærheten av en stikkontakt som er i samsvar med CEE-standard og til et nett som er i samsvar med gjeldende standarder, utstyrt med:

- magnetotermisk beskyttelse;
- automatisk skillebryter;
- jording.

Før du kobler til maskinen må du kontrollere at egenskapene for strømmettet er i samsvar med dem som er angitt på maskinens merkeetikett.

BRUK AV SKJÆREMASKINEN

ADVARSEL! Skarpt skjæreblad, fare for kutt! Kontroller at bryteren som regulerer tykkelsen på skiven (5) er i sikkerhetsposisjon (i posisjon 0) (Fig. A).

1. Trekk produktholderplaten (8) helt tilbake mot operatøren, i lasteposisjon (Fig. B);
2. løft produktskyveren (17) og sett den i hvileposisjon;
3. legg varene som skal skjæres opp på platen ved kanten av platen, operatørsiden. Blokker med produktskyveren ved å påføre et lett trykk;
4. reguler tykkelsen på skiven. Start skjærebladet (10) ved å trykke på startknappen (1). Grip tak i håndtaket på produktskyveren (9) og start den alternative skjærebevegelsen;
5. nær skjæringen er over setter du bryteren som regulerer tykkelsen tilbake i sikkerhetsposisjon og trekker materoggen tilbake. Stans bladets bevegelse ved å trykke på stoppknappen (2).

RENGJØRING

Hold alltid maskinen ren. Hvis den er i bruk må den rengjøres minst en gang om dagen, eller hyppigere ved behov. Etter en periode der maskinen ikke har vært i bruk må den rengjøres også før bruk.

! **ADVARSEL! Fare for elektrisk støt!** Før du går videre med å rengjøre maskinen må du koble stikkontakten fra strømmettet og sette bryteren som regulerer skivetykkelsen i sikkerhetsposisjon.

! **ADVARSEL! Skarpt kniv-**

blad, fare for kutt! Kontroller at bryteren som regulerer tykkelsen på skiven (5) er i sikkerhetsposisjon (i posisjon 0) (Fig. A).

Rengjøringsprodukter: bruk utelukkende vann og skummende bionedbrytbart oppvaskmiddel. Bruk en myk klut og en halvstiv nylonbørste til områdene rundt platen og produktskyveren. Ikke rengjør maskinen med vannsprut eller damp eller lignende metoder. Fortsett med å fjerne:

- produktholderplate:

- 1) frigjør produktholderplaten ved å dreie festehåndtaket i klokkeretningen. Med reguleringsbryteren for skivetykkelse i sikkerhetsposisjon trekker du platestøtten helt tilbake så langt det går, mot operatøren. Et metallisk klikk varsler operatøren om at produktholderplaten er blokkert; 2) trekk ut produktskyveren, 3) trekk ut produktholderplaten ved å fjerne platen fra støtten (Fig. D);

- skjærebladdeksel:

- 1) løsne håndtaket som holder skiven som dekker skjærebladet ved å dreie den mot klokkeretningen, 2) for å løfte skiven fra skjærebladet trykker du på håndtaket i retning skjærebladet (Fig. E);

- skiveleder:

- Løsne festeskruene (hvis tilstede) og fjern skivelederen (Fig. F).

! **ADVARSEL! Skarpt skjæreblad, fare for kutt!** For rengjøring av slipeområdet, platen, produktskyveren og bladet anbefaler vi at du bruker beskyttelseshansker.

Fortsett med rengjøring av:

- skjærebladet: press en fuktig klut mot overflaten på skjærebladet og flytt den langsomt fra midten og utover, som vist i figuren (Fig. G), på knivdekselsiden og på motsatt side. Tørk på samme måte med en tørr klut;


- sikkerhetsring: bruk en halvstiv børste i nylon til å rengjøre området mellom skjærebladet og beskyttelsesringen;

- maskinens hoveddel: rengjør selve maskinen med en myk klut eller svamp fuktet med vann. Tørk grundig.

VEDLIKEHOLD

Slipe bladet

Hvor lenge og hvor hyppig du bør slipe skjærebladet avhenger av bruken av apparatet.

 **ADVARSEL!** Hvis maskinen er utstyrt med en inkorporert slipeenhet, må du følge instruksjonene til punkt og prikke. I motsatt fall må du kontakte produsenten eller et autorisert serviceverksted (se SERVICE).

Følg disse instruksjonene for sliping:

1. plasser bryteren som regulerer skivetykkelsen i sikkerhetsposisjon (Fig. A);
2. trekk produktholderplaten helt tilbake (Fig. B);
3. Løft beskyttelsesdekselet på slipeinnretningen (Fig. L);
4. Trykk på startknappen;
5. For modellene XS 25, XS 30, trykk på skarphetsknappen i 10-15 sekunder (Fig. O1); trykk deretter på avlusingsknappen i 3-5 sekunder (Fig. O2)
6. stans bladets bevegelse ved å trykke på stoppknappen;
7. trekk i spaken for å sette innretningen tilbake i utgansposisjonen;

8. Senk beskyttelsesdekselet på slipeinnretningen;

9. fortsett med rengjøring av skjæremaskinen.

Smøring


Etter en viss bruksperiode vil det kunne bli nødvendige å smøre sporene på vognen. Vi anbefaler uansett å foreta denne operasjonen hver 3. måned. Bruk kun ikke syreholdig olje (vi anbefaler vaselinolje) til smøring. Ikke bruk vegetabiliske oljer.

ASSISTANSE

All utskifting og reparasjon (slik som utskifting eller reparasjon av skjærebladet, reimen, elektriske deler, strukturelle deler, etc.), må kun gjennomføres av personale som er autorisert av produsenten.

Hvis det skulle bli nødvendig med en reparasjon må du levere maskinen tilbake til produsenten eller til et autorisert serviceverksted.

For informasjonen om serviceverksteder, ta kontakt med : service@berkelinternational.com.

 **ADVARSEL!** *Det er påbudt å skifte ut skjærebladet når avstanden mellom kanten på selve bladet og den innvendige kanten på beskyttelsen overstiger 6 mm.*

GARANTI OG ANSVAR

Produsenten leverer maskinene med en garanti på 24 måneder, som løper fra kjøpsdato. Garantien dekker utelukkende defekter som har oppstått under korrekt bruk i henhold til instruksjonene og betingelsene gitt i denne bruksanvisningen. Garantien dekker ikke

defekter som skyldes transport, inkompetanse eller skjødesløshet fra brukerens side, upassende eller feilaktig installasjon eller plassering, skader som skyldes slitasje eller spenning over 10% over merkespenningen. Garantien dekker dessuten ikke komponenter som utsettes for regelmessig slitasje, slik som skjærebladet, slipeskivene, med mindre det er tydelige tegn på produksjonsfeil.

Produsenten fraskriver seg alt direkte eller indirekte ansvar for situasjoner som oppstår som følge av:

- manglende overholdelse av instruksjonene gitt i denne bruksanvisningen;
 - bruk som ikke er i samsvar med gjeldende regler og standarder i installasjonslandet;
 - uautoriserte endringer og/eller reparasjoner utført på maskinen;
 - bruk av ikke originalt tilbehør eller reservedeler;
 - eksepsjonelle hendelser.
- Overføring av maskinen til andre fører til umiddelbart bortfall av alt produsentansvar, med unntak av overholdelse av direktivet 2006/42/EF (ansvar for alle eventuelle produksjonsfeil ved produktet). Merkeplaten som er plassert nederst på maskinen identifiserer produsenten, maskinen, teknisk informasjon og CE-merkingen.

DEMOLERING OG KASSERING

Maskinen består av:

- aluminiumslegering;
- forskjellige innlegg og komponenter i rustfritt stål;
- elektriske deler og elektriske kabler;

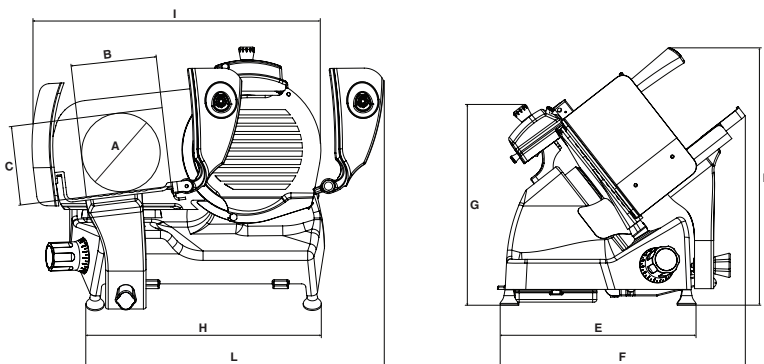
- elektrisk motor;
- plast, etc.

Hvis kassering er overlatt til tredjeparter må du kun henvende deg til selskaper som er autorisert til å fjerne materialer som er angitt over. Enheten inneholder materialer som kan gjenvinnes eller resirkuleres. En korrekt kildesortering gjør resirkulering lettere. Etter endt levetid må maskinen leveres inn til en innsamlingsstasjon. Du kan få informasjon om kassering hos lokale myndigheter.

Problemløsning

PROBLEM	MULIG ÅRSAK	LØSNING
Maskinen starter ikke når du trykker på startknappen	Manglende strømforsyning eller defekt kontrollkrets	Kontroller at støpselet sitter korrekt i, og ta kontakt med servicesenteret hvis problemet vedvarer
Når du trykker på startknappen starter maskinen, men lysindikatoren som viser funksjonen tennes ikke	Defekt indikator	Ikke bruk maskinen med lysindikatoren slukket. Ring service-verkstedet
Overdreven motstand ved skjæring av produktet	Bladet er ikke slipt	Slip knivbladet
Under belastning reduserer skjærebladet farten eller det stanser	Reimen kan være slakk eller skadet	Ta kontakt med serviceverkstedet for å regulere eller skifte ut reimen
Når du trykker på stoppknappen stanser ikke maskinen	Defekt kommandokrets	Stans maskinen umiddelbart ved å trekke ut støpselet fra stikkkontakten og kontakt umiddelbart serviceverkstedet
Overdreven motstand i komponentenes bevegelser bevegelige delene (produkskyver, matervogn)	Smøring av sporene ikke utført regelmessig	Foreta smøring regelmessig

PRO LINE XS 25 - XS 30

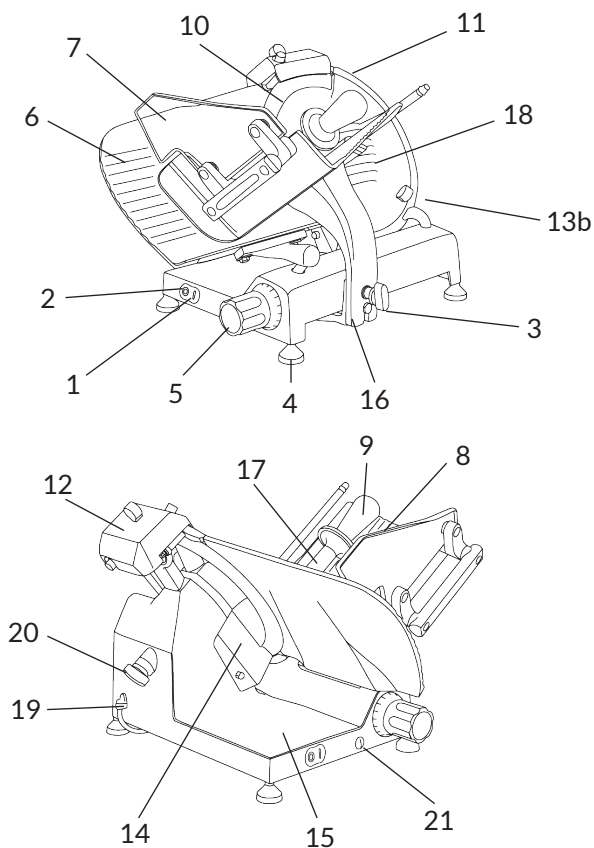


MODELL	XS 25	XS 30
A	188 mm	215 mm
B	225 mm	245 mm
C	178 mm	195 mm
D	505 mm	545 mm
E	378 mm	415 mm
F	480 mm	595 mm
G	445 mm	435 mm
H	450 mm	506 mm
I	565 mm	640 mm
L	575 mm	645 mm
SPESIFIKASJONER		
Ø Diameter skjæreblad	250 mm	300 mm
Maksimal skivetykkelse	0 -14 mm	0 -14 mm
Nettovikt	19 kg	26 kg
Rektangulær skjærekapasitet	225x178 mm	245x195 mm
Sirkelformet skjærekapasitet	188 mm	230 mm
Motoreffekt	0,33 kW	0,35 kW
Elektriske spesifikasjoner	230/50/1 V - Hz	230/50/1 V - Hz 400/50/3 V - Hz

Merk: Som et resultat av kontinuerlig forskning for å kontinuerlig forbedre våre produkter, tekniske spesifikasjoner er gjenstand for mulige variasjoner.

MANUAL DE INSTRUÇÕES: Máquinas de cortar eléctrica Pro Line

MODELOS:
XS 25, XS 30



PARTES DA MÁQUINA

1. Botão de arranque (branco)
2. Botão de parada (vermelho)
3. Manípulo de bloqueio da mesa
4. Pé de suporte
5. Manípulo de ajuste da espessura da fatia
6. Mesa fixa
7. Protecção de segurança
8. Mesa móvel
9. Alça do empurrador
10. Lâmina
11. Anel de segurança (protector da lâmina)
12. Afiador
- 13b. Manípulo do protector da lâmina para o modelo XS
14. Protector de fatia
15. Base
16. Carro
17. Empurrador
18. Disco de cobertura da lâmina
19. Cabo de alimentação
20. Tirante do protector da lâmina
21. Lubrificador (onde presente)

DESCRIÇÃO

Máquinas de cortar fiambre profissionais com lâmina circular, projectadas para cortar e fatiar exclusivamente produtos alimentares do tipo e dentro dos limites especificados neste manual. As principais partes componentes da máquina estão ilustradas na figura 1. O esquema eléctrico é mostrado na figura 2.

DECLARAÇÃO DE CONFORMIDADE

As máquinas descritas neste manual estão em conformidade com as Directivas 2006/42/CE, 2006/95/CE, 2004/108/CE, 2003/108/CE, 2011/65/CE, com o Regulamento (CE) 1935/2004 do Parlamento Europeu e com as normas de referência (EN 1974:1998 +A1, EN 60204-1, EN 60335-1, EN 60335-2-64, etc.).



SEGURANÇA

Preste a devida atenção às instruções aqui apresentadas para garantir a sua própria segurança:

- leia atentamente todas as instruções antes de utilizar a máquina;
- o produto não deve ser utilizado por crianças;
- o uso da máquina exige uma instrução adequada e que as faculdades psicofísicas do operador estejam em perfeitas condições;
- não utilize a máquina de formas diferentes das constantes neste manual de instruções
- instale a máquina respeitando as instruções incluídas no

parágrafo 'Instalação';

- instale a máquina num local fora do alcance das pessoas não envolvidas no trabalho e especialmente das crianças;
- mantenha-se concentrado nas suas tarefas durante o trabalho, não se distraia;
- a máquina não pode ser utilizada por pessoas que não tenham lido e compreendido o teor deste manual;
- não utilize vestuário largo ou com mangas largas e abertas;
- não permita que ninguém se aproxime durante as operações de corte do produto;
- não remova, cubra ou adulte as placas aplicadas ao corpo da máquina e substitua prontamente as placas ilegíveis;
- não remova as protecções transparentes e não modifique ou exclua as protecções mecânicas e eléctricas;
- corte exclusivamente os produtos permitidos e jamais tente cortar produtos de tipo proibido;
- mantenha a zona de apoio do produto cortado, toda a zona de trabalho ao redor da máquina e o pavimento sempre limpos e secos;
- não utilize a máquina como superfície de apoio, particularmente durante as operações de corte;
- não utilize a máquina de cortar fiambre se, devido ao desgaste, a distância entre o gume da lâmina e o anel de protecção for superior a 6 mm; se isso ocorrer, entre em contacto com o fabricante ou com um centro de assistência autorizado para a substituição da lâmina;
- não utilize a máquina com ligações eléctricas 'improvisadas', realizadas por meio de cabos provisórios ou não ade-

quadamente isolados;

- verifique periodicamente o estado do cabo de alimentação e do prensa-cabos junto ao corpo da máquina; substitua prontamente os componentes desgastados. Solicite a intervenção de um técnico qualificado sempre que houver a necessidade;
 - interrompa imediatamente o funcionamento da máquina na ocorrência de defeitos ou anomalias funcionais, suspeita de ruptura, movimentos não correctos, ruídos incomuns;
 - desconecte a máquina da rede de alimentação eléctrica antes de efectuar a limpeza ou intervenções de manutenção;
 - utilize luvas de protecção durante as operações de limpeza e manutenção;
 - apoie o produto sobre a mesa móvel (ou remova o produto a partir da mesma) somente se o carro estiver completamente recuado e o manípulo de ajuste da espessura estiver na posição de segurança (Fig. A);
 - para movimentar a mesa de suporte do produto durante a operação de corte utilize exclusivamente o manípulo de manobra situado no braço ou alça do empurrador;
 - não é permitido o uso de acessórios de corte que não tenham sido fornecidos pelo fabricante em conjunto com a máquina.
- O fabricante declina qualquer responsabilidade, directa e indirecta, que possa decorrer do uso inapropriado, alterações e/ou reparos efectuados sem autorização prévia, uso de acessórios e peças sobressalentes não originais.

A máquina não pode ser utilizada em locais abertos e/ou expostos aos agentes atmosféricos.

ricos, em ambientes com presença de vapores, fumos ou pó corrosivo e/ou abrasivo, com riscos de incêndio ou explosão e, em geral, caso seja prescrito o uso de componentes à prova de explosão.


Condições ambientais de uso:

- Temperatura de -5 °C a +40 °C
- Humidade máx. 95%
- Não é recomendado o contacto de componentes de alumínio com alimentos fortemente ácidos ou altamente salgados.

NÃO CORTE:

- produtos alimentares congelados;
- produtos alimentares ultracongelados;
- produtos alimentares com ossos (carne e pescado);
- qualquer outro produto não destinado a uso alimentar.

O anel de segurança ao redor da lâmina é realizado em conformidade com a norma europeia EN 1974:1998 +A1; no entanto, a protecção na área de afiação não elimina totalmente o risco de corte.

 **! CUIDADO!** Durante as operações de limpeza da lâmina e afiação, preste a máxima atenção e mantenha as mãos o mais afastado possível da zona não protegida. Recomenda-se vivamente o uso de luvas de protecção.

INSTALAÇÃO

Instale a máquina sobre uma superfície bem nivelada, lisa, seca e adequadamente dimensionada para suportar o peso da máquina e do produto a cortar.

 **! ADVERTÊNCIA:** Verifi-


que a presença de eventuais obstáculos ao movimento da mesa e certifique-se de que a operação de carregamento do produto na própria mesa possa ser feita sem impedimentos.

A máquina deve ser instalada nas imediatas proximidades de uma tomada eléctrica CEE, derivada de uma instalação em conformidade com as normas vigentes e dotada de:

- protecção magnetotérmica;
- interruptor automático diferencial;
- instalação de ligação à terra.

Antes de estabelecer a conexão certifique-se de que as características da rede de alimentação eléctrica correspondam às indicadas na placa de identificação da máquina.

USO DA MÁQUINA DE CORTAR FIAMBRE


 **! CUIDADO!** Lâmina afiada, perigo de corte! Certifique-se de que o manípulo de ajuste da espessura da fatia (5) esteja na posição de segurança (posição 0) (Fig. A).


1. Recue completamente a mesa móvel (8) para si até alcançar a correcta posição de carregamento (Fig. B);
2. levante o empurrador (18) e coloque-o na posição de repouso;
3. apoie o produto a cortar sobre a mesa móvel, próximo à borda da mesma, lado operador. Bloqueie o produto com o empurrador, exercendo uma ligeira pressão;
4. ajuste a espessura da fatia. Accione a lâmina (10) pressionando o botão de arranque (1). Segure o manípulo do empurrador (9) e inicie o movimento alternado de corte;

5. ao término das operações de corte recolha o manípulo de ajuste da espessura na posição de segurança e recue o carro. Interrompa o movimento da lâmina actuando no botão de parada (2).

LIMPEZA

Mantenha a máquina sempre limpa. Se utilizada, deve ser limpa pelo menos uma vez por dia ou mais frequentemente se necessário. Recomenda-se, após um período de inactividade, limpar a máquina antes de reutilizá-la.

 **! CUIDADO!** Perigo de choque eléctrico! Antes de proceder com a operação de limpeza da máquina desconecte a ficha da rede de alimentação eléctrica e coloque o manípulo de ajuste da espessura na posição de segurança.

 **! CUIDADO!** Lâmina afiada, perigo de corte! Certifique-se de que o manípulo de ajuste da espessura da fatia (5) esteja na posição de segurança (posição 0) (Fig. A).

NÃO LAVAR NENHUM COMPONENTE NA MÁQUINA LAVAVAS!

Produtos para a limpeza: utilize exclusivamente água e detergente espumoso biodegradável para utensílios de mesa, um pano macio e esponjoso e uma escova de nylon semi-rígida para as zonas da mesa e do empurrador afiadas e/ou pontiagudas. Não limpe a máquina com jactos de água ou vapor ou com métodos similares.

Remova gradualmente:

- a mesa móvel:

1) desbloqueie a mesa móvel girando no sentido horário o manípulo de fixação. Com o manípulo de ajuste da espessura na posição de segurança, recue completamente o suporte da mesa para si, até atingir o fim-de-curso: um engate metálico avisa o operador sobre o travamento da mesa móvel; 2) extraia o empurrador; 3) extraia a mesa móvel separando-a do seu suporte (Fig. D);

- protector da lâmina:

1) desaperte, girando-o no sentido anti-horário, o manípulo do tirante do disco de protecção da lâmina; 2) para levantar e separar o disco pressione o manípulo na direcção da lâmina (Fig. E);

- protector de fatia:

desaperte os parafusos de fixação (se presente) e remova o protector de fatia (Fig. F).

⚠ CUIDADO! Lâmina afiada, perigo de corte! Recomenda-se vivamente o uso de luvas de protecção durante as operações de limpeza da área de afiação, das mesas, do empurrador e da lâmina.

Proceder com a operação de limpeza da:

- lâmina: pressione um pano humedecido contra a superfície da lâmina e mova-o lentamente a partir do centro para fora, conforme mostrado na figura (Fig. G), no lado do protector da lâmina e também no lado oposto. Seque executando a mesma operação e utilizando um pano seco;

- anel de segurança: utilize uma escova de nylon semi-rígida para limpar a zona compreendida entre a lâmina e o anel de

protecção;

- corpo da máquina: limpe o corpo da máquina com um pano humedecido ou uma esponja e água. Seque cuidadosamente.

MANUTENÇÃO

Afiação da lâmina

Frequência e tempo de duração da afiação dependem do tipo de uso do equipamento.

⚠ CUIDADO! Se a máquina estiver equipada com um grupo de afiação embutido, leia atentamente as instruções a seguir. Caso contrário, entre em contacto com o fabricante ou com um centro de serviço autorizado (consulte SERVICE).

Para proceder com a operação de afiação:

1. coloque o manípulo de ajuste da espessura da fatia na posição de segurança (Fig. A);
2. recue completamente a mesa móvel (Fig. B);
3. levante a cobertura do dispositivo de afiação (Fig. L);
4. pressione o botão de arranque;
5. Para os modelos XS 25, XS 30, pressione o botão de afiação por 10 a 15 segundos (Fig. O1); depois pressione o botão de rebarbapor 3-5 segundos (Fig. O2)
6. interrompa o movimento da lâmina actuando no botão de parada;
7. restaurar a posição inicial do dispositivo
8. abaixe a cobertura de protecção do dispositivo de afiação;
9. proceda com a operação de limpeza da máquina de cortar.

Lubrificação

Após um período de uso re-

gular as guias do carro podem exigir uma operação de lubrificação. Em todo caso, é recomendável realizar este trabalho uma vez a cada 3 meses.

Utilize somente óleos não ácidos (nós aconselhamos óleo de vaselina). Não utilize óleo vegetal.

ASSISTÊNCIA

A embalagem fornecida não inclui peças sobressalentes. Todas as operações de reparo e substituição (tais como de reparo e substituição da lâmina, correia, componentes eléctricos, peças estruturais etc.) devem ser efectuadas somente por técnicos autorizados pelo fabricante.

Se a máquina precisar de reparo, envie-a para o fabricante ou para um centro de assistência autorizado.

A fim de obter maiores informações em relação aos centros de assistência, escreva para: service@berkelinternational.com.

⚠ CUIDADO! A distância entre o gume da lâmina e a borda interior de protecção não deve exceder 6 mm: caso contrário, a lâmina deve ser obrigatoriamente substituída.

GARANTIA E RESPONSABILIDADE

O fabricante garante as suas máquinas por um período de 24 meses contados a partir da data de aquisição. A garantia cobre os defeitos eventualmente detectados somente se a máquina for utilizada em modo adequado e de acordo com as condições previstas neste manual. A garantia não cobre defeitos ocasionados

pelas operações de transporte, por imperícia ou negligência do comprador, instalação ou posicionamento inadequado, danos devido ao desgaste natural, tensão superior a 10% em relação ao valor nominal. Ademais, a garantia não cobre os componentes intrinsecamente sujeitos a desgaste, tais como a lâmina e as mós do afiador, excepto no caso de evidente defeito de fabrico.

O fabricante declina qualquer responsabilidade, directa e indirecta, que possa decorrer de:

- inobservância das instruções presentes no manual;
- uso não conforme com as normas dominantes no país de instalação;
- adulterações e/ou realização de reparos na máquina não autorizados;
- uso de acessórios e peças so-

bressalentes não originais;

- eventos extraordinários.

A transferência da propriedade da máquina implica a isenção do fabricante de qualquer responsabilidade, excepto no que respeita ao cumprimento da Directiva 2006/42/CE (responsabilidades por qualquer defeito de fabrico do produto). A placa de identificação na base da máquina inclui o nome do fabricante, do modelo, as informações técnicas e a marcação CE.

DEMOLIÇÃO E ELIMINAÇÃO

A máquina é constituída por:

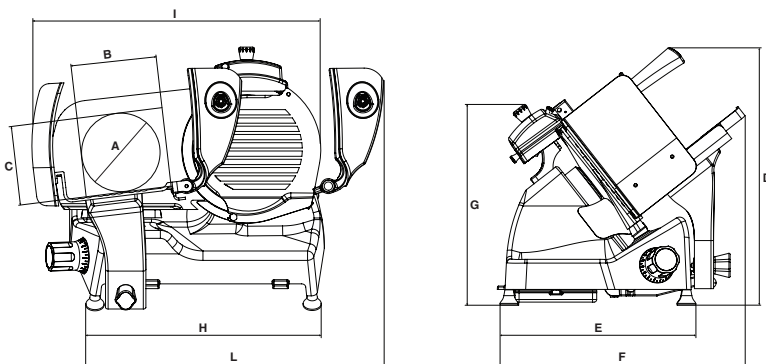
- liga de alumínio;
- peças e componentes diversos em aço inoxidável;
- peças e cabos eléctricos;
- motor eléctrico;
- plástico, etc.

Se a eliminação for confiada a terceiros, dirija-se exclusivamente a empresas devidamente autorizadas a tratar os materiais supracitados. Contém materiais que podem ser recuperados ou reciclados. Uma colecta selectiva feita adequadamente facilita a operação de reciclagem. Ao término da vida útil leve o seu dispositivo para o ponto de colecta mais próximo. É também possível obter informações sobre a eliminação dirigindo-se às autoridades locais.

Resolução de problemas

PROBLEMA	CAUSA PROVÁVEL	SOLUÇÃO
A máquina não liga após o accionamento do botão de arranque	Falta de alimentação eléctrica ou circuito de controlo defeituoso	Assegure-se de que o cabo de alimentação esteja conectado correctamente; entre em contacto com o serviço de assistência se o problema persistir
A máquina liga após o accionamento do botão de arranque, mas o indicador luminoso de funcionamento não se acende	Indicador luminoso defeituoso	Não utilize a máquina se o indicador luminoso estiver desligado. Entre em contacto com o serviço de assistência
Resistência excessiva ao movimento de corte do produto	Lâmina não afiada	Afie a lâmina
A lâmina durante o trabalho não possui movimento uniforme (desaceleração sob esforço) ou pára	Correia afrouxada ou danificada	Entre em contacto com o serviço de assistência para solicitar a regulação ou a substituição da correia
O funcionamento da máquina não é interrompido após o accionamento do botão de parada	Circuito de comando defeituoso	Interrompa imediatamente o funcionamento da máquina desconectando o cabo de alimentação da rede e entre prontamente em contacto com o serviço de assistência
Resistência excessiva ao movimento dos componentes móveis (empurrador, carro)	Lubrificação das guias corrediças não realizada periodicamente	Lubrifique periodicamente

PRO LINE XS 25 - XS 30



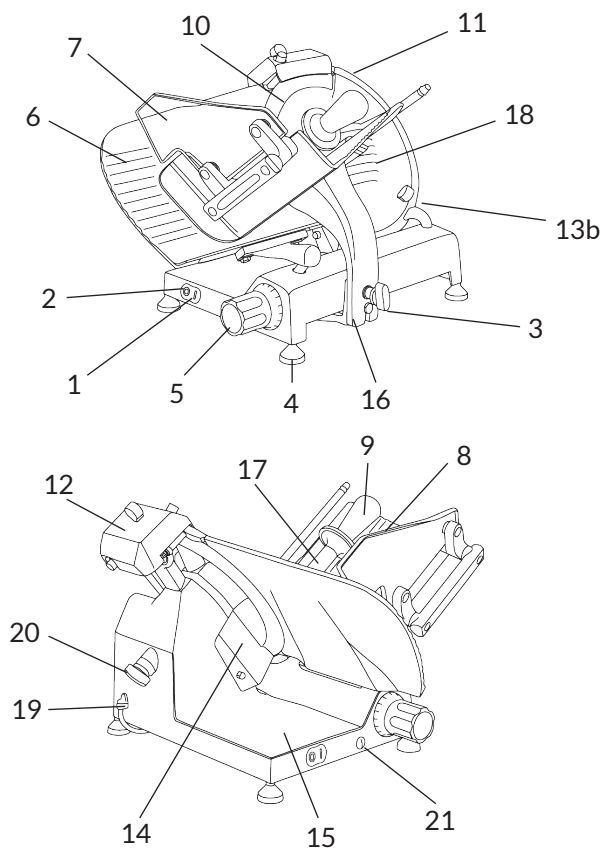
MODELLO	XS 25	XS 30
A	188 mm	215 mm
B	225 mm	245 mm
C	178 mm	195 mm
D	505 mm	545 mm
E	378 mm	415 mm
F	480 mm	595 mm
G	445 mm	435 mm
H	450 mm	506 mm
I	565 mm	640 mm
L	575 mm	645 mm
ESPECIFICAÇÕES		
Ø Diâmetro da lâmina	250 mm	300 mm
Espessura máxima da fatia	0 - 14 mm	0 - 14 mm
Peso líquido	19 kg	26 kg
Capacidade de corte (rect.)	225x178 mm	245x195 mm
Capacidade de corte (circ.)	188 mm	230 mm
Potência do motor	0,33 kW	0,35 kW
Especificações eléctricas	230/50/1 V - Hz	230/50/1 V - Hz 400/50/3 V - Hz

Nota: Como resultado da pesquisa contínua para melhorar continuamente os nossos produtos, especificações técnicas estão sujeitos a possíveis variações.

MANUAL DE INSTRUCȚIUNI: Mașini de feliat electric Pro Line

MODELE:

XS 25, XS 30



PĂRȚI ALE MAȘINII

1. Buton de pornire (alb)
2. Buton de oprire (roșu)
3. Buton blocare platou
4. Picior
5. Buton de reglare grosime felie
6. Placă calibru pentru grosime (pânză)
7. Protecție pentru siguranță
8. Platou produse
9. Buton dispozitiv de împingere
10. Lamă
11. Inel de siguranță (protecție lamă)
12. Dispozitivul de ascuțire
- 13b. Buton protecție lamă pentru modelele XS
14. Deviator felii
15. Soclu
16. Cărucior
17. Dispozitiv de împingere
18. Disc de protecție lamă
19. Cablu de alimentare
20. Tirant protecție lamă
21. Ungător (daca prezentul)

DESCRIERE

Mașini de feliat profesionale cu lamă circulară, proiectate să fie folosite exclusiv produse alimentare de tipul și în limitele de dimensiune indicate în prezentul manual. Piesele principale care alcătuiesc mașina sunt ilustrate la figura 1. Schema electrică este indicată la figura 2.

DECLARAȚIA DE CONFORMITATE

Mașinile prezentate în acest manual sunt conforme cu directivele 2006/42/CE, 2006/95/CE, 2004/108/CE, 2003/108/CE, 2011/65/CE, Regulamentul European (CE) 1935/2004 și standardele aferente EN 1974:1998 +A1, EN60204-1, EN60335-1, EN60335-2-64.



SIGURANȚA

Pentru siguranța dvs., respectați următoarele instrucțiuni:

- citiți cu atenție toate instrucțiunile înainte de a utiliza mașina;
- produsul nu este recomandat a fi utilizat de către copii;
- utilizați mașina doar dacă sunt instruiți adecvat și aveți o stare psiho-fizică perfectă;
- nu utilizați mașina în alt mod decât cel indicat în prezentul manual;
- instalați mașina în conformitate cu instrucțiunile din paragraful Instalare;
- nu instalați mașina la îndemâna personalului nefamiliarizat cu operațiunile de utilizare și mai ales a minorilor;
- utilizați mașina cu mare atenție, nu vă lăsați distrași în timpul folosirii;
- evitați utilizarea de către per-

- sonalul care nu a citit și înțeles conținutul prezentului manual;
- nu folosiți îmbrăcăminte largă sau cu mâneci desfăcute;
- nu permiteți nimănui, cu excepția operatorului, să se apropie în timpul operațiunii de tăiere a produsului;
- nu îndepărtați, acoperiți sau modificați plăcuțele de pe corpul mașinii; în caz de deteriorare a acestora, înlocuiți-le;
- nu îndepărtați protecțiile transparente și nu modificați sau excludeți protecțiile mecanice și electrice;
- felițați doar produsele permise, nu încercați să faceți teste de tăiere cu produse de tip interzis;
- păstrați zona de sprijin a produsului felițat, zona de lucru din jurul mașinii și pardoseala de lucru mereu curate și uscate;
- nu utilizați mașina ca suprafață de sprijin și nu sprijiniți niciun obiect străin față de operațiunile normale de tăiere;
- nu folosiți mașina de feliat când, ca urmare a uzurii normale, distanța dintre tăișul lamei și inelul de protecție a lamei a depășit 6 mm, în acest caz, contactați producătorul sau unul dintre centrele de service autorizate pentru înlocuirea lamei;
- nu utilizați mașina cu conexiuni electrice de tip temporar, cu cabluri provizorii sau neizolate;
- verificați periodic starea cablului de alimentare și a presetepei de pe corpul mașinii, înlocuindu-le în mod prompt. Când este necesar, adresați-vă personalului calificat pentru a efectua intervenția;
- opriți imediat mașina în caz de defecțiuni, funcționare anormală, suspiciune de defecțiuni, mișcări incorecte, zgomote ciudate;
- înainte de a curăța sau de a efectua intervenții de întreținere, deconectați mașina de la

- rețeaua de alimentare electrică;
- folosiți mănuși de protecție pentru operațiunile de curățare și întreținere;
- așezați și îndepărtați alimentul de feliat de pe platoul glisant doar atunci când căruciorul este complet retras și mânerul de reglare a grosimii este poziționat în siguranță (Fig. A);
- pentru mișcarea platoului pentru produse în timpul operațiunii de tăiere, folosiți doar mânerul de manevră aflat pe brațul sau mânerul dispozitivului de împingere;
- nu este permisă utilizarea accesoriilor de tăiere care nu au fost furnizate de producător împreună cu mașina. Producătorul își declină orice răspundere directă și indirectă ca urmare a utilizării inadecvate, a modificărilor și/sau reparațiilor neautorizate efectuate la mașină, a utilizării accesoriilor și pieselor de schimb neoriginale. Mașina nu poate fi utilizată în locuri deschise și/sau expuse la agenții atmosferici și în medii cu vapori, fum sau pulberi corozive și/sau abrazive, cu risc de incendiu sau explozie și unde este prevăzută utilizarea de componente antideflagrante.

- Condiții ambientale de utilizare:
- Temperatura între -5°C și +40°C
 - Umiditate max 95%
 - Contactul componentelor din aluminiu cu alimente puternic acide sau foarte sărate nu este recomandat.

NU FELIĂȚI:

- produse alimentare înghețate;
- produse alimentare congelate;
- produse alimentare cu os (carne și pește);
- orice alt produs nedestinat utilizării alimentare.

Inelul de siguranță din jurul lamei este realizat în conformitate cu norma europeană EN 1974:1998 +A1, totuși protecția zonei ascuțite nu elimină total riscul de tăiere.

ATENȚIE! În timpul operațiunilor de curățare a lamei ascuțite, țineți mâinile cât mai departe de zona neprotejată. Se recomandă folosirea mănușilor de protecție.

INSTALARE

Instalați mașina pe o suprafață bine nivelată, uniformă, uscată și adecvată să susțină greutatea mașinii și a produsului de feliat.

AVERTISMENT: Verificați să nu existe blocaje la rularea platoului și la încărcarea alimentului de feliat pe platou.

Mașina trebuie instalată în imediată apropiere a unei prize conforme CEE inclusă într-o instalație care respectă standardele în vigoare și este prevăzută cu:

- protecție magneto-termică;
- întrerupător automat diferențial;
- instalație de împământare.

Înainte de efectuarea conexiunii, verificați dacă caracteristicile rețelei de alimentare electrică corespund celor indicate pe plăcuța cu datele mașinii.

UTILIZAREA MAȘINII DE FELIAT

ATENȚIE! Lamă ascuțită, pericol de tăiere! Verificați ca mânerul de reglare a grosimii feliei (5) să fie în poziție de siguranță (în poziția 0) (Fig. A).

1. Retrageți complet platoul pentru produse (8) spre operator, în poziția de încărcare (Fig. B);

2. ridicăți dispozitivul de împingere (17) și așezați-l în poziția de repaus;

3. sprijiniți alimentul de feliat pe platou la adăpost de marginea acestuia, pe latura operator. Blocați folosind dispozitivul de împingere și exercitați o presiune ușoară;

4. reglați grosimea feliei. Acționați lama (10) apăsând butonul de pornire (1). Prindeți mânerul dispozitivului de împingere (9) și începeți mișcarea alternativă de tăiere;

5. la finalizarea operațiunilor de tăiere, readuceți în siguranță pe poziție mânerul de reglare a grosimii și opriți căruciorul. Opriți mișcarea lamei apăsând butonul de oprire (2).

CURĂȚAREA

Păstrați mașina în stare perfectă de curățenie. Dacă este utilizată, aceasta trebuie curățată cel puțin o dată pe zi, crescând frecvența dacă este necesar. După o perioadă de inactivitate, se recomandă curățarea și înainte de prima utilizare.

ATENȚIE! Pericol de electrocutare! Înainte de a curăța mașina, deconectați ștecherul de la rețeaua de alimentare electrică și aduceți în siguranță mânerul de reglare a grosimii.

ATENȚIE! Lamă ascuțită, pericol de tăiere! Verificați ca mânerul de reglare a grosimii feliei (5) să fie în poziție de siguranță (în poziția 0) (Fig. A).

NU SPĂLAȚI NICIO COMPONENTĂ ÎN MAȘINA DE SPĂLAT VASE!

Produse pentru curățare: utilizați doar apă și detergent spumos biodegradabil pentru vase folosind o cârpă moale, bu-

retoasă și o perie din nylon semirigidă pentru zonele platoului și ale dispozitivului de împingere ascuțit. Nu curățați mașina cu jeturi de apă sau vapori ori metode similare.

Procedura de îndepărtare a:

- platoul pentru produse:

1) eliberați platoul pentru produse rotind în sens orar mânerul de fixare. Când mânerul de reglare a grosimii este în siguranță, retrageți complet suportul platoului, până la capătul cursei, spre operator: Un marcaj metalic avertizează operatorul că platoul pentru produse este blocat; 2) glisați dispozitivul de împingere; 3) scoateți platoul pentru produse glisându-l de pe suport (Fig. D);

- protecție lamă:

1) slăbiți rotind în sens antiorar mânerul tirantului discului de protecție a lamei; 2) pentru ridicarea discului lamei, apăsați mânerul în direcția lamei (Fig. E);

- deviator felii:

slăbiți șurubul de fixare (dacă prezentul) și îndepărtați deviatorul de felii (Fig. F).

ATENȚIE! Lamă ascuțită, pericol de tăiere! Pentru operațiunile de curățare a zonei de ascuțire, a platoului, a dispozitivului de împingere și a lamei se recomandă utilizarea mănușilor de protecție.

Continuați cu curățarea:

- lamei: aplicați o cârpă umedă pe suprafața lamei și deplasați-o lent de la centru spre exterior, ca în figură (Fig. G), pe latura protecției lamei și pe latura opusă. Uscați, în același mod, utilizând o cârpă uscată;

- inelul de siguranță: utilizați pe-


ria de nylon semirigidă pentru a curăța zona cuprinsă între lamă și inelul de protecție;

- corpul mașinii: curățați corpul mașinii cu o cârpă umedă sau un burete clătind cu apă. Uscați cu grijă.

ÎNTREȚINERE

Ascuțirea lamei

Periodicitatea și durata ascuțirii depind de utilizarea echipamentului.

 **ATENȚIE!** Dacă mașina este dotată cu grup de ascuțire încorporat, se recomandă să respectați atent instrucțiunile. În caz contrar, contactați producătorul sau unul dintre centrele de service autorizate (a se consulta SERVICE).

Pentru ascuțire, urmați instrucțiunile:

1. poziționați în siguranță mânerul de reglare a grosimii feliilor (Fig. A);
2. retrageți complet platoul pentru produse (Fig. B);
3. ridicați capacul dispozitivului de ascuțire (Fig. L);
4. apăsați butonul de pornire;
5. Pentru modelele XS 25, XS 30, apăsați butonul de Ascuțirea timp de 10-15 secunde (Fig. O1); apoi apăsați butonul de debavurarea timp de 3-5 secunde (Fig. O2)
6. oprți mișcarea lamei apăsând butonul de oprire;
7. readuce dispozitivul în poziția inițială
8. coborâți capacul de protecție al dispozitivului de ascuțire;
9. curățați mașina de feliat.

Lubrifierea

După o anumită perioadă de utilizare regulată a mașinii, poate fi necesară lubrifierea ghida-


jelor căruciorului. Recomandăm efectuarea acestei operațiuni la fiecare 3 luni. Pentru lubrifiere, utilizați doar ulei non acid (vă recomandăm ulei de vaselină). Nu folosiți uleiuri vegetale.

ASISTENȚĂ

Nu sunt furnizate piese de schimb în interiorul ambalajului. Toate activitățile de reparații și înlocuire (înlocuirea sau reparația lamei, curelei, componentelor electrice, pieselor structurale, etc.) trebuie desfășurate exclusiv de personal autorizat de producător.

Dacă este necesară reparația, se recomandă să duceți mașina la producător sau un centru de service autorizat.

Pentru informații privind centrele de service, adresați-vă : service@berkelinternational.com.

 **ATENȚIE!** *Este obligatorie înlocuirea lamei când distanța dintre tăișul acesteia și marginea internă a protecției depășește 6 mm.*

GARANȚIE ȘI RĂSPUNDERE

Producătorul furnizează mașini cu o garanție de 24 de luni de la data achiziției. Garanția acoperă doar defecțiunile cauzate ca urmare a utilizării adecvate conform condițiilor de folosire prevăzute în manual. Garanția nu acoperă alte defecte datorate transportului, incompetenței sau neglijenței cumpărătorului, instalării sau amplasării inadecvate, daunelor de uzură, tensiunii care depășește 10% din valoarea nominală. În plus, garanția nu acoperă componentele supuse intrinsec uzurii, precum lama și discurile de rectificat ale dispozitivului de ascu-

țire, cu excepția unui defect de producție evident.

Producătorul își declină orice răspundere directă sau indirectă derivată din:

- nerespectarea instrucțiunilor din manual;
 - utilizarea neconformă cu standardele din țara de instalare;
 - modificările și/sau reparațiile neautorizate la mașină;
 - utilizarea accesoriilor și a pieselor de schimb neoriginale;
 - evenimente excepționale.
- Transferul de proprietate a mașinii presupune exonerarea imediată de orice răspundere din partea producătorului, cu excepția prevederilor directivei 2006/42/CE (răspunderea pentru orice defect de producție al produsului).
- Plăcuța de identificare de la baza mașinii indică producătorul, mașina, informațiile tehnice și marcajul CE.

DEZMEMBRARE ȘI ELIMINARE

Mașina este alcătuită din:

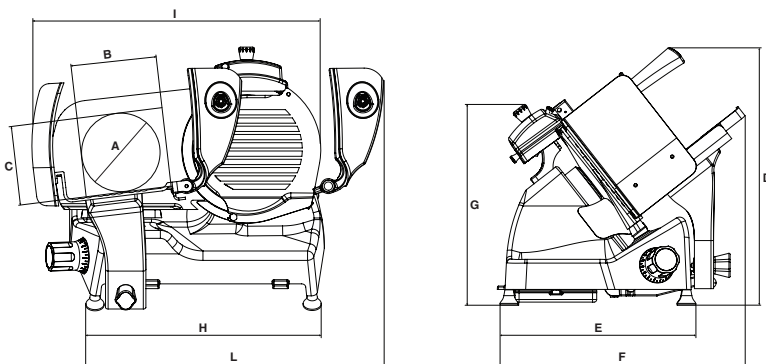
- aliaj de aluminiu;
- inserturi și diferite componente din oțel inoxidabil;
- piese electrice și cabluri electrice;
- motor electric;
- plastic, etc.

Dacă dezmembrarea este realizată de terți, adresați-vă doar companiilor autorizate pentru eliminarea materialelor indicate mai sus. Dispozitivul conține materiale care pot fi recuperate sau reciclate. Colectarea diferențiată corectă facilitează reciclarea. La sfârșitul duratei de viață, depozitați dispozitivul la un punct de colectare. Puteți obține informații despre dezmembrare de la autoritățile locale.

Rezolvarea problemelor

PROBLEMĂ	CAUZĂ POSIBILĂ	SOLUȚIE
Mașina nu pornește la apăsarea butonului de pornire	Lipsa alimentării sau circuit de control defect	Verificați dacă ștecherul este introdus corect, dacă problema persistă contactați centrul de service
Mașina pornește la apăsarea butonului de pornire însă nu se aprinde indicatorul luminos de funcționare	Indicator defect	Nu utilizați mașina cu indicatorul luminos stins. Apelați serviciul de asistență
Rezistență excesivă la tăierea produsului	Lama nu este ascuțită	Ascuțiți lama
Forțarea lamei determină încetinirea sau oprirea acesteia	Cureaua poate fi slăbită sau deteriorată	Contactați centrul de service pentru reglarea sau înlocuirea curelei
Apăsând butonul de oprire mașina nu se oprește	Circuit de comandă defect	Oprți imediat mașina scoțând ștecherul din rețea și adresați-vă imediat centrului de service
Rezistență excesivă la mișcarea componentelor glisante (dispozitiv de împingere, cărucior)	Lubrifierea ghidajelor de alunecare nu a fost efectuată periodic	Efectuați lubrifierea periodică

PRO LINE XS 25 - XS 30

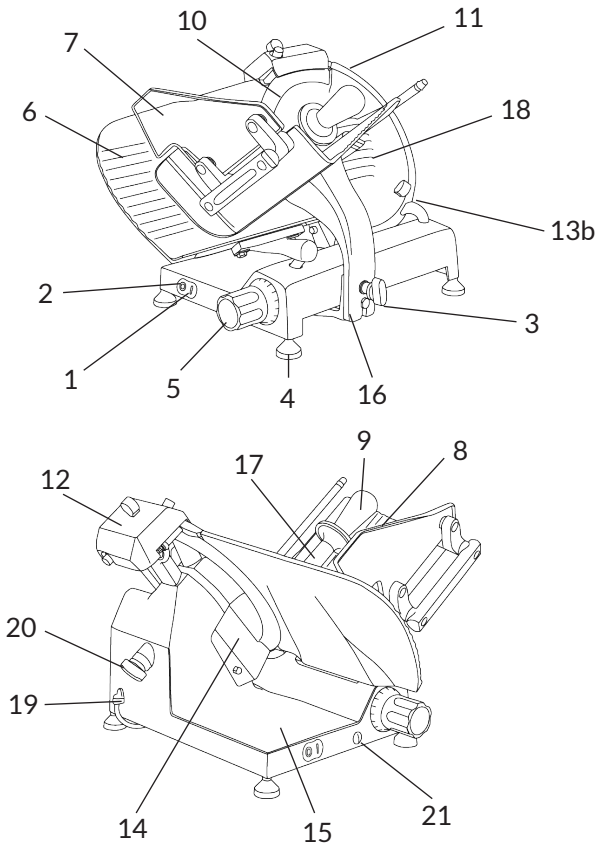


MODEL	XS 25	XS 30
A	188 mm	215 mm
B	225 mm	245 mm
C	178 mm	195 mm
D	505 mm	545 mm
E	378 mm	415 mm
F	480 mm	595 mm
G	445 mm	435 mm
H	450 mm	506 mm
I	565 mm	640 mm
L	575 mm	645 mm
SPECIFICAȚII		
ø Diametru lamă	250 mm	300 mm
Grosime maximă felie	0 -14 mm	0 -14 mm
Greutatea netă	19 kg	26 kg
Capacitate de tăiere rectangulară	225x178 mm	245x195 mm
Capacitate de tăiere circulară	188 mm	230 mm
Putere motor	0,33 kW	0,35 kW
Specificații electrice	230/50/1 V - Hz	230/50/1 V - Hz 400/50/3 V - Hz

Notă: Ca rezultat al cercetării continue pentru a îmbunătăți continuu produsele noastre, specificațiile tehnice sunt supuse unor posibile variații.

BRUKSANVISNING: Elektriska skärmaskiner Pro Line

MODELLER:
XS 25, XS 30



MASKINDELAR

1. Startknapp (vit)
2. Stoppknapp (röd)
3. Vred för att blockera plattan
4. Fot
5. Tjockleksvred
6. Skivtjockleksplatta (tjockleksmätare)
7. Skydd
8. Produkthållarplatta
9. Produktpressens handtag
10. Klinga
11. Skyddsring (klingskydd)
12. Sliptillsats
- 13b. Vred på klingskyddet för XS-modeller
14. Skivskydd
15. Sockel
16. Vagn
17. Produktpress
18. Skiva till klingskydd
19. Matningskabel
20. Stag klingskydd
21. Oljekanna (om närvarande)

BESKRIVNING

Professionella skärmaskiner med cirkelformad klinga. Maskinerna är framställda för att skära enbart sådana livsmedel vars typ och storlek finns angivna i denna bruksanvisning. I bild 1 visas maskinens huvudsakliga beståndsdelar. Kopp-lingsschemat finns i bild 2.

FÖRSÄKRAN OM ÖVERENSSTÄMMELSE

Maskinerna som finns beskrivna i denna bruksanvisning överensstämmer med direktiv 2006/42/EG, 2006/95/EG, 2004/108/EG, 2003/108/EG, 2011/65/EU, Europaparlamentets och rådets förordning (EG) nr. 1935/2004 och respektive standarder EN 1974:1998 +A1, EN60204-1, EN60335-1, EN60335-2-64.



SÄKERHET

För er säkerhet ber vi att ni följer nedanstående anvisningar:

- läs noggrant igenom alla anvisningar innan ni använder maskinen;
- produkten är inte avsedd att användas av barn;
- den person som använder maskinen ska ha fått lämplig utbildning och vara i god psykisk och fysisk form;
- använd inte maskinen på något sätt som skiljer sig från beskrivningen i denna bruksanvisning;
- installera maskinen i enlighet med anvisningarna i avsnittet 'Installation';
- installera maskinen på en plats där den är utom räckhåll för personer som inte är be-

- kanta med hur den ska användas, och framför allt på en plats utom räckhåll för minderåriga;
- var alltid koncentrerad när du använder maskinen och undvik att distraheras av annat;
- låt inte personal som inte läst och förstått allt innehåll i denna bruksanvisning använda maskinen;
- bär inte löst sittande kläder eller kläder med öppna ärmar;
- låt inte någon annan än användaren närma sig maskinen medan produkten skärs;
- det är förbjudet att ta bort, täcka eller ändra plåtarna som sitter på maskinstommen. Om de skadas ska de omedelbart bytas ut;
- avlägsna inte de transparenta skydden, och ändra eller frånkoppla inte de mekaniska och elektriska skydden;
- skär endast tillåtna livsmedel. Försök inte att skära produkter som är förbjudna;
- området där den skivade produkten placeras, arbetsområdet runt maskinen och golvet användaren står på ska alltid vara rena och torra;
- använd inte maskinen som en stödyta och placera inga föremål som inte hör hemma under normala skivningsarbeten på den;
- använd inte skärmaskinen när mellanrummet mellan klinga och klingskydd på grund av normalt slitage överskrider 6 mm. I sådant fall ska man kontakta tillverkaren eller ett behörigt serviceföretag för att byta ut klingan
- använd inte maskinen med grenuttag, förlängningsslad-dar eller med provisoriska eller icke isolerade kablar;
- kontrollera regelbundet skicket på strömkabeln och kabeltätningen på maskinstom-

men. Byt ut vid behov. Om det krävs ska man kontakta kvalificerad personal för detta ingrepp;

- stanna omedelbart maskinen om du upptäcker en defekt eller felfunktion, om du misstänker att maskinen är sönder, om den gör felaktiga manövrer eller ger ifrån sig ovanliga ljud;
- innan man påbörjar rengöring eller underhållsarbete ska man koppla bort maskinen från elnätet;
- använd skyddshandskar under rengöring och underhållsarbete;
- när man placerar eller tar bort produkten som ska skivas på/från glidplattan ska vagnen alltid vara i helt tillbakadraget läge och tjockleksvredet ska vara ställt till säkert läge (Bild A);
- man får endast använda det manövreringshandtag som finns på pressens arm eller kulhandtag för att förflytta produkt-hållarplattan under drift;
- det är inte tillåtet att använda skärningstillbehör som inte levererats av tillverkaren tillsammans med maskinen. Tillverkaren avsäger sig allt direkt och indirekt ansvar som kan härledas från en felaktig användning, icke godkända justeringar och/eller reparationer på maskinen eller användning av tillbehör eller reservdelar som inte är original. Maskinen får inte användas utomhus och/eller på platser där den utsätts för väder och vind. Inte heller får den användas i miljöer med ångor, rök eller frätande och/eller slipande damm, i miljöer med risk för brand eller explosion, och inte på någon plats där användning av explosions säkra komponenter föreskrivs.

Miljömessiga förhållanden under drift:

- Temperatur mellan -5°C och +40°C
- Maximal fuktighet 95%
- Kontakt av aluminiumkomponenter med starkt sura eller mycket salta livsmedel rekommenderas inte.

SKIVA INTE:

- frysta livsmedel;
- djupfrysta livsmedel;
- livsmedel med ben (kött och fisk);
- några produkter som inte är livsmedel.

Skyddsringen runt klingan är framställd i enlighet med den europeiska föreskriften EN 1974:1998 +A1. Dock kan inte skyddet i slipningsområdet helt eliminera risken att skära sig.

! **OBSERVERA!** Under rengöring eller slipning av klingan ska man vara mycket uppmärksam och hålla händerna på så långt avstånd från det oskyddade området som möjligt. Vi rekommenderar att man bär skyddshandskar.

INSTALLATION

Installera maskinen på en jämn, slät, torr yta som tål att belastas med maskinens vikt plus vikten på de varor som ska skivas.

! **WARNING:** Kontrollera att det inte finns något som hindrar produktållarplattans slaglängd eller matning av de livsmedel som ska skivas.

Maskinen ska installeras i närheten av ett uttag som över-

ensstämmer med gällande EEC-föreskrift, kopplat till ett system som överensstämmer med gällande föreskrifter och vara försett med:

- termomagnetiskt skydd;
 - automatisk differentialbrytare;
 - jordningssystem.
- Innan anslutning ska man kontrollera att elsystemets specifikationer överensstämmer med informationen på maskinens identifikationsplåt.

ANVÄNDA SKÄRMASKINEN

! **OBSERVERA!** Risk att skära sig på vass klinga! Kontrollera att vredet för att ställa in skivans tjocklek (5) är ställt till säkert läge (läge 0) (Bild A).

1. Dra tillbaka produktållarplattan (8) helt mot användaren, till läget för matning (Bild B);
2. höj pressen (17) och ställ den i viloläge;
3. placera varorna som ska skivas på plattan i närheten av kanten på användarsidan. Blockera produkten genom att trycka lätt med pressen;
4. ställ in skivans tjocklek. Starta klingan (10) genom att trycka på startknappen (1). Ta tag om pressens handtag (9) och sätt igång den alternerande skärningsrörelsen;
5. när skivningen avslutats ska man ställa tillbaka tjocklevredet i säkert läge och dra tillbaka vagnen. Stoppa klingans rörelse genom att trycka på stoppknappen (2).

RENGÖRING

Håll alltid maskinen ren. Om maskinen används måste den rengöras minst en gång om

dagen eller oftare vid behov. Efter en period när maskinen stått oanvänd rekommenderar vi att den rengörs innan användning.

! **OBSERVERA!** Risk för elektrisk stöt! Innan man börjar rengöra maskinen ska man koppla ur stickkontakten från elnätet och ställa tjocklevredet i säkert läge.

! **OBSERVERA!** Risk att skära sig på vass klinga! Kontrollera att vredet för att ställa in skivans tjocklek (5) är ställt till säkert läge (läge 0) (Bild A).

Rengöringsprodukter: använd endast vatten och ett biologisk nedbrytbart skumdiskmedel för köksgeråd. Använd en mjuk skumtrasa och en flaskborste i nylon för att rengöra platta och press. Rengör aldrig maskinen med vatten- eller ångstrålar eller liknande metoder.

Gå vidare till att ta bort:

- produktållarplatta:
 - 1) frigör produktållarplattan genom att vrida fästhandtaget i medurs riktning. Ställ tjocklevredet till säkert läge och dra tillbaka plattans stöd helt till ändläge mot operatören: ett metalliskt klickljud informerar operatören om att produktållarplattan har blockerats;
 - 2) dra ut produktpressen;
 - 3) dra ut produktållarplattan genom att dra ut plattan från stödet (Bild D);

- klingtskydd:

- 1) lossa genom att vrida klingtskyddets handtag i moturs riktning;
- 2) för att lossa klingans skiva ska

man trycka på handtaget i klingans riktning (Bild E);
- skivskydd:
lossa fästskruven (om närvarande) och ta bort skivskyddet (Bild F).

! OBSERVERA! Risk att skära sig på vass klinga!
Vi rekommenderar att man använder skyddshandskar när man rengör slipningsområdet, plattan, pressen och klingan

Gå vidare till att rengöra:
- klingan: tryck en mjuk trasa mot klingan och för trasan försiktigt från mitten och utåt, som på bilden (Bild G), både på sidan med klingskyddet och den andra sidan. Torka efter på samma sätt med en torr trasa;
- skyddsring: använd en flaskborste i nylon för att rengöra området mellan klingan och skyddsringen;
- maskinstomme: rengör maskinstommen med en fuktig trasa eller en svamp och skölj med vatten. Torka noggrant.

UNDERHÅLL

Slipning av klinga

Hur ofta och hur länge man ska slipa maskinen beror på hur apparaten används.

! OBSERVERA! Om maskinen är försedd med en inbyggd slip rekommenderar vi att man följer anvisningarna noggrant. I annat fall ska man kontakta tillverkaren eller ett behörigt serviceföretag för att byta ut klingan (se SERVICE).

Vid slipning ska man:

1. ställa tjockleksvredet i säkert läge (Bild A);
2. dra tillbaka produkthållarplattan helt (Bild B);

3. höj sliptillsatsens skyddshölje (Bild L);
4. tryck på startknappen;
5. För modellerna XS 25, XS 30, tryck på Slipning i 10-15 sekunder (Bild O1); tryck sedan på gradning i 3-5 sekunder (Bild O2);
6. stoppa klingans rörelse genom att trycka på stoppknappen;
7. ställa tillbaka anordningen till ursprungsläget
8. sänk sliptillsatsens skyddshölje;
9. rengöra skärmaskinen.

Smörjning

Efter en viss tid med normal användning av maskinen kan man behöva smörja vagnens skenor. Vi rekommenderar att man smörjer dem var 3:e månad. Använd uteslutande syrafriolja för smörjningen (vi rekommenderar vaselinolja). Använd inte vegetabilisk olja.

SERVICE

Det finns inga reservdelar inne i förpackningen. Alla reparationer och byten (som exempelvis byte eller reparation av klingan, remmen, de elektriska komponenterna, delar av stommen, etc.) ska uteslutande utföras av tillverkarens behöriga personal.

Vid behov av reparation rekommenderar vi att man skickar tillbaka maskinen till tillverkaren eller till ett behörigt servicecenter.

För information om servicecenter ska man vända sig till :
service@berkelinternational.com

! OBSERVERA! Klingan måste bytas ut när mellanrummet mellan klingans kant och skyddets inre kant översti-

ger 6 mm.

GARANTI OCH ANSVAR

Tillverkaren lämnar 24 månaders garanti på maskinen med start från inköpsdatumet. Garantin täcker endast defekter som uppstått under korrekt användning i enlighet med de anvisningar som finns i bruksanvisningen. Garantin täcker inte defekter som orsakats under transport, av köparens inkompetens eller försummelse, en felaktig installation eller placering, av slitage eller vid strömvråden som överskrider det nominella värdet med 10% eller mer. Dessutom täcker inte garantin förbrukningskomponenter, som klingan eller slipskivan, förutom i uppenbara fall av fabriktionsfel.

Tillverkaren avsäger sig allt direkt och indirekt ansvar för:
- att användaren inte följt anvisningarna i bruksanvisningen;

- användning som strider mot gällande föreskrifter i installationslandet;
- icke godkända ändringar och/eller reparationer på maskinen;
- användning av tillbehör eller reservdelar som inte är original;
- exceptionella händelser.

När äganderätten till maskinen överförs frigörs tillverkaren omedelbart från allt ansvar, förutom att följa direktiv 2006/42/CE (ansvar för alla tillverkningsfel på produkten). På märkplåten som finns på maskinstommen återfinns tillverkare, maskininformation, teknisk information och CE-märkning.

SKROTNING OCH KASSERING

Maskinen består av:

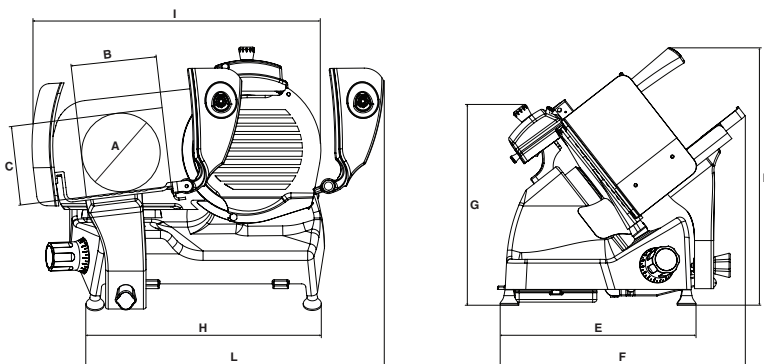
- aluminiumlegering;
- insatser och diverse komponenter i rostfritt stål;
- elektriska komponenter och elkablar;
- elektrisk motor;
- plast, etc.

Om kassering anförtros en tredje part, ska man uteslutande välja ett företag som är behörigt att hantera ovan nämnda typer av material. Apparaten innehåller material som kan återanvändas eller återvinnas. En korrekt avfalls-sortering underlättar återvinning. När maskinen nått slutet av sin livslängd ska den lämnas till avfallsinsamling. Man kan få information om kassering från sin lokala myndighet.

Problemlösning

PROBLEM	MÖJLIG ORSAK	ÅTGÄRD
Maskinen startar inte när man trycker på startknappen	Det saknas ström eller så är kontrollkretsen skadad	Kontrollera att stickkontakten sitter i korrekt. Om problemet kvarstår ska man kontakta Kundservice
När man trycker på startknappen startar maskinen men indikeringslampan tänds inte	Lampan är sönder	Använd inte maskinen när indikeringslampan är släckt. Kontakta kundservice
För mycket motstånd vid skärning av produkten	Klingan är inte slipad	Slipa klingan
Klingan arbetar långsammare eller stannar när den belastas	Remmen kan ha slaknat eller skadats	Kontakta kundservice för att ställa in eller byta ut remmen
När man trycker på stoppknappen stannar inte maskinen	Kontrollkrets skadad	Stoppa omedelbart maskinen genom att dra ut kontakten från nätet och kontakta omedelbart kundservice
För stort motstånd vid de glidande komponenternas rörelse (press, vagn)	Glidskenorna har inte smörjts in regelbundet	Smörj in dem

PRO LINE XS 25 - XS 30



MODELL	XS 25	XS 30
A	188 mm	215 mm
B	225 mm	245 mm
C	178 mm	195 mm
D	505 mm	545 mm
E	378 mm	415 mm
F	480 mm	595 mm
G	445 mm	435 mm
H	450 mm	506 mm
I	565 mm	640 mm
L	575 mm	645 mm
SPECIFIKATIONER		
Ø Klingans diameter	250 mm	300 mm
Maximal skivtjocklek	0 -14 mm	0 -14 mm
Nettovikt	19 kg	26 kg
Kapacitet rektangulär skärning	225x178 mm	245x195 mm
Kapacitet cirkelformad skärning	188 mm	230 mm
Motoreffekt	0,33 kW	0,35 kW
Elektriska specifikationer	230/50/1 V - Hz	230/50/1 V - Hz 400/50/3 V - Hz

Notera: Som ett resultat av kontinuerlig forskning för att ständigt förbättra våra produkter, tekniska specifikationer kan möjliga variationer.

Berkel

Van Berkel International S.r.l.
via Ugo Foscolo, 22
21040 Oggiona S. Stefano (VA) - ITALY
T +39 0331 214311
info@berkelinternational.com
theberkelworld.com