



CNC machined MDF chassis filled with steel pellets



High end magnetic decoupling feet



TPE damped aluminium platter with vinyl layer

# Xtension 9 Evolution

The best in class - Superlative vinyl performance

n/c MSRP 3.299 € (incl. VAT)

Pick it DS2 MSRP 3.499 € (incl. VAT)

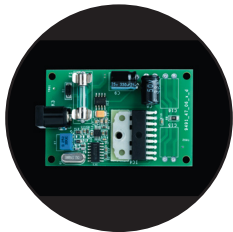
- Heavy CNC machined MDF chassis
- High end EVO 9" CC carbon fibre tonearm
- Inverted tonearm bearings (ABEC 7 quality)
- Luxury hand painted or real wood veneer
- Central gravity point technology
- Massive 16 kg total weight
- Precision balanced TPE damped aluminium platter
- Vinyl layer on top offers the perfect record surface
- Inverted ceramic ball bearing with magnetic support
- Sophisticated DC-AC power generator
- Ultra precise and constant speeds
- Electronic speed control 33/45 rpm
- Heavy weight record clamp included
- Handmade in Europe

Colour options:

**Speed:** 33 / 45 rpm (electronic speed change)  
**Drive principle:** belt drive  
**Platter weight / diameter:** 5,4 kg / 300mm  
**Speed variance:** ± 0,09%  
**Wow and flutter:** ± 0,1%  
**Signal to noise:** 73dB  
**Tonearm:** 9" one-piece carbon-fibre tonearm  
**Effective arm length / overhang:** 230mm / 18mm  
**Effective tonearm mass:** 8,5g  
**Tracking force range:** 0-25mN  
**Cartridge weight range from:** 4 - 14g  
**External power supply:** 220-240V/50Hz / 15V/1600mA DC  
**Power consumption:** 4W (max.) / < 1 watt standby  
**Included accessories:** Record Puck, Connect it E 5P to RCA phono cable, dustcover, power supply  
**Dimensions (W x H x D):** 465 x 185 x 350 mm lid closed  
**Weight:** 16kg

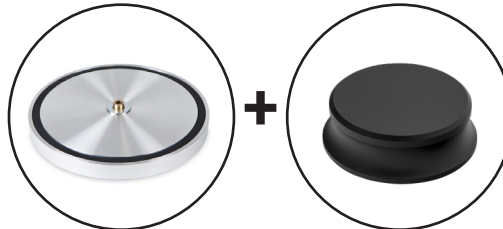
**Precision motor control**

The precision DC-driven AC generator powers the motor for enhanced speed stability.



**Sandwich Platter**

Precision balanced aluminium platter with TPE damping ring. Vinyl layer on top offers the best record surface.



**Record Puck**

Ensures a firm fit of the record.

**EVO 9" CC Black**

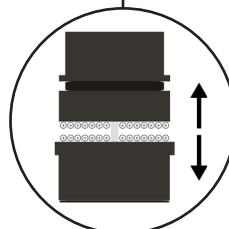
High precision tonearm with carbon fibre arm tube. Cardanic bearing, high-purity copper wiring, TPE damped counterweight.



**33 / 45  
RPM**

**Electronic speed control**

Easily change speeds with the push of a button.



**Hi-tech magnetic feet**

Three powerful magnetic feet effectively decouple the turntable & let it float over the surface.



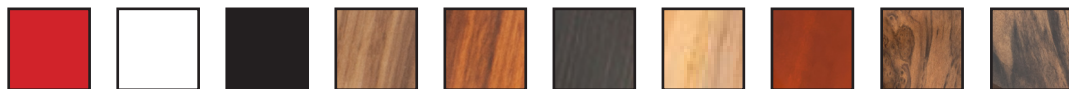
**Pick it DS2 MC**

High-end moving coil cartridge. Very detailed, low distortion, exceptionally lively.

## A piece of mechanical art

Xtension 9 Evolution incorporates all our turntable design experience in a slimline size to fit standard audio racks. The chassis is made from **heavyweight non-resonant CNC** machined MDF. This offers us a **solid and acoustically outstanding base** to build a turntable as MDF has very little material typical resonances. We **avoided hollow spaces** in the chassis as these could have a negative impact on the sound quality.

Choose from our **various finish options**, either luxury hand painted colours or real wood veneers.



High Gloss Red - HG White - HG Black - Walnut - Palisander - Eucalyptus - Olive - Mahagony

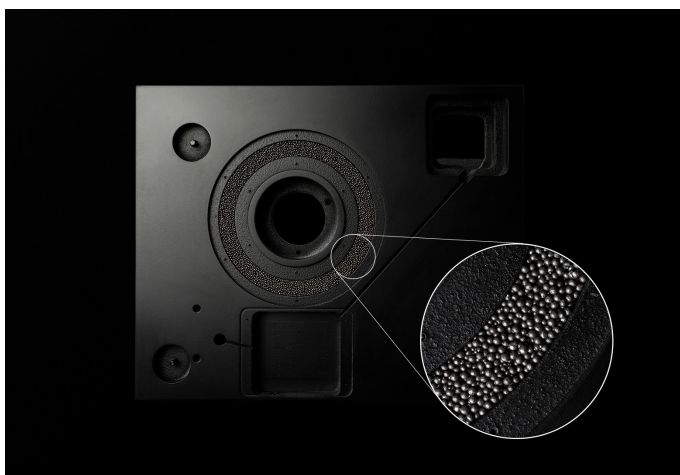
**Special:** Walnut Burl Satin - Walnut Burl High Gloss

## It depends on the inner values

We at Pro-Ject have searched over years to find a special technology to damp our chassis effectively.

The MDF chassis is partly filled with **steel pellets** to create a **central gravity point** which absorbs all plinth and bearing noise and **increase the overall mass** of the turntable.

Compared to a solid alloy, steel pellets have the advantage that there is no ringing happening which is mandatory for a high quality music playback.

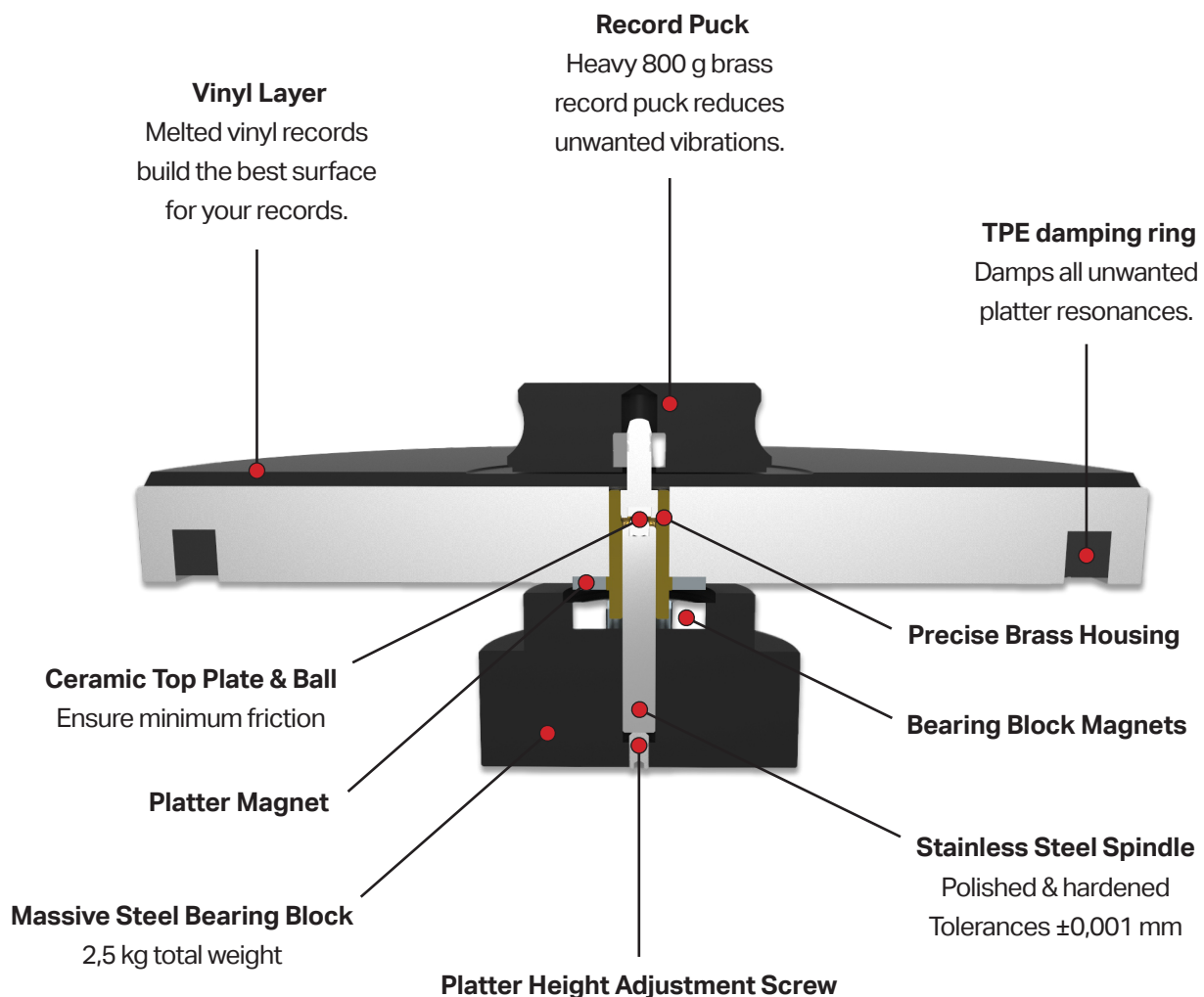


## Magnetic main bearing

To ensure stable speeds a proper platter bearing is needed. The Xtension 9 Evolution uses a **special technology**.

The **heavyweight platter** spins on an **inverted ceramic ball bearing** with a **magnetic support** to **reduce bearing noise and resonance to an absolute minimum**.

Which this solution we are able to **relieve the main bearing** and ensure that the platter runs **ultra-silently**.





## High End Magnetic Suspension Feet

Many turntable manufacturers forget that the feet are one of the **most important parts** of a turntable. Therefore, we wanted the **best possible solution** for the premium Xtension 9 Evolution.

With its **superlative magnetic feet**, this heavy turntable literally **floats over the surface**. These powerful magnets **effectively decouple the turntable** from its below base.

