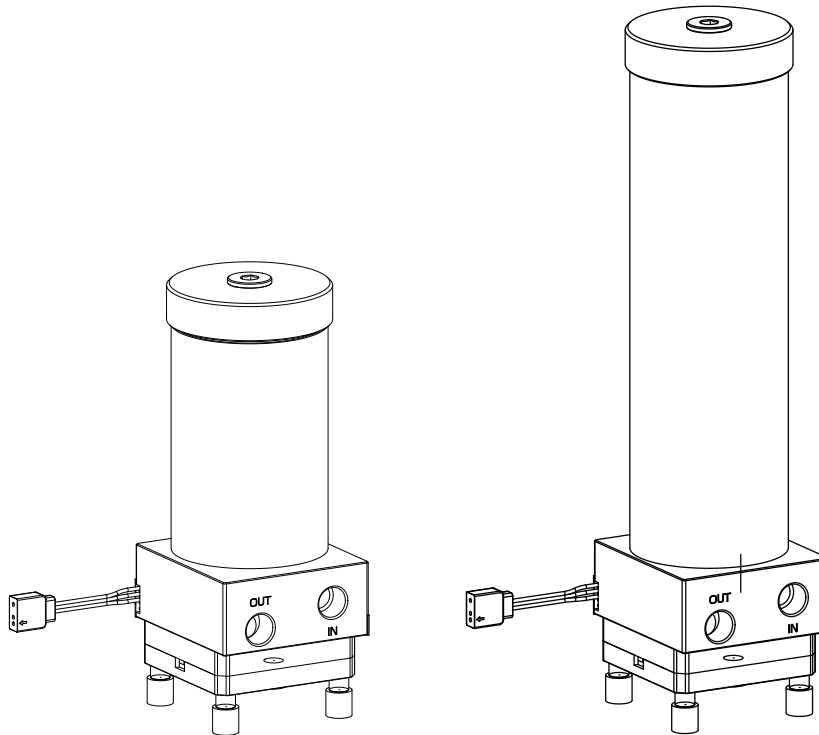




EK-Classic Pump Reservoir 160 / 260 SPC PWM D-RGB

PUMP-RESERVOIR COMBO



This product is intended for installation only by expert users. Please consult with a qualified technician for installation. Improper installation may result in damage to your equipment. EK Water Blocks assumes no liability whatsoever, expressed or implied, for the use of these products, nor their installation. The following instructions are subject to change without notice. Please visit our web site at www.ekwb.com for updates. Before installation of this product please read important notice, disclosure and warranty conditions printed on the back of the box.

Before you start using this product please follow these basic guidelines:

Please carefully read the manual before beginning with the installation process!

The EK fittings require only a small amount of force to screw them firmly in place since the liquid seal is ensured by the rubber o-ring gaskets.

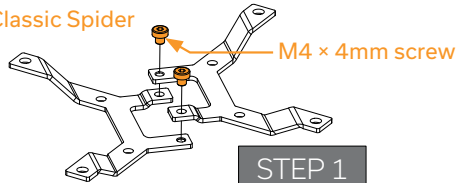
The use of corrosion inhibiting coolants is always recommended for any liquid cooling system. EKWB recommends any of the EK-Cryofuel for worry-free usage.

TABLE OF CONTENT

INSTALLING THE ASSEMBLY USING ENCLOSED BRACKET (Bracket - XRES Classic Spider - OPTION 1)	4
INSTALLING THE ASSEMBLY - OPTION 2	5
ATTACHING THE FITTINGS	6
CONNECTING THE D-RGB LED STRIP	7
SUPPORT AND SERVICE	8
SOCIAL MEDIA	8

INSTALLING THE ASSEMBLY USING ENCLOSED BRACKET (Bracket - XRES Classic Spider - OPTION 1)

Bracket - XRES Classic Spider assembly



If you have an option to mount the assembly on 120mm fan or 120mm FAN mounting holes, EKWB recommends enclosed spider mount - Bracket - XRES Classic Spider.

STEP 1

Use enclosed M4 x 4 mm screws to screw two brackets together as shown on the picture.

STEP 2

Screws for mounting the Bracket - XRES Classic Spider on the 120mm FAN mounting holes:

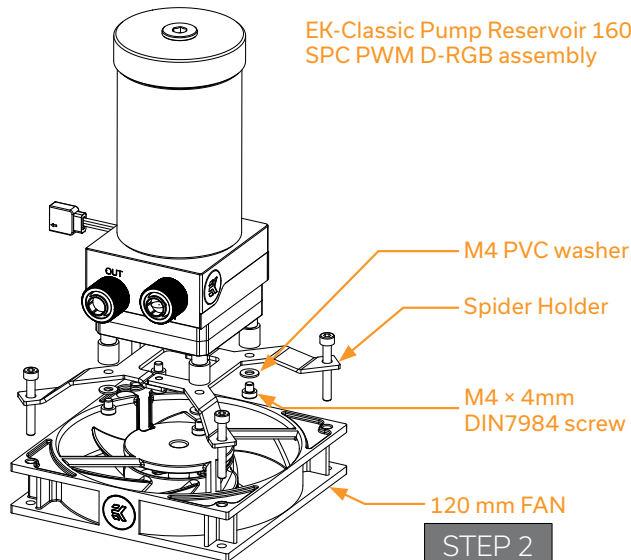
Option 1: use self-tapping screws normally supplied with fan to screw the holder directly on the fan

Option 2: use 30mm long screw supplied with radiator delivery to screw the holder on the radiator through the 120mm fan

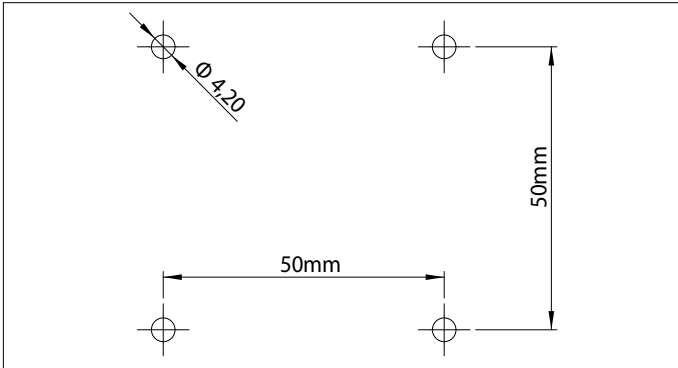
Option 3: use 5mm long screw normally supplied with radiator delivery to screw the holder directly on the radiator

Option 4: use M4 × 6mm screw with M4 nuts and washers (supplied with the Spider Holder delivery) and mount the holder on the 120mm FAN mounting holes on the chassis

EK-Classic Pump Reservoir 160 SPC PWM D-RGB assembly

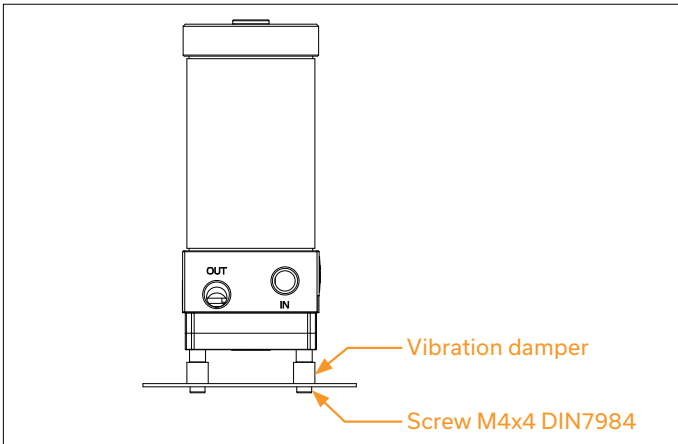


INSTALLING THE ASSEMBLY - OPTION 2

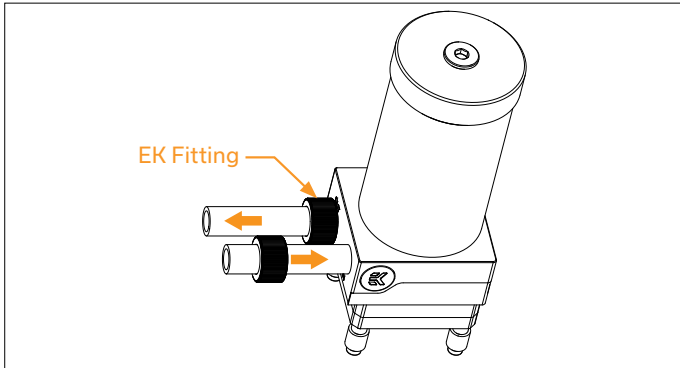


The assembly can be mounted on any flat surface inside your computer chassis. One must drill four (4) 4.2mm holes using powerdrill in a 50x50mm square pattern. Please follow these steps:

1. Screw on Vibration Dampers on Custom SPC Screws.
2. Drill four (4) 4.2mm holes into the chassis.
3. Use enclosed M4x4mm screws to secure the pump to the chassis.



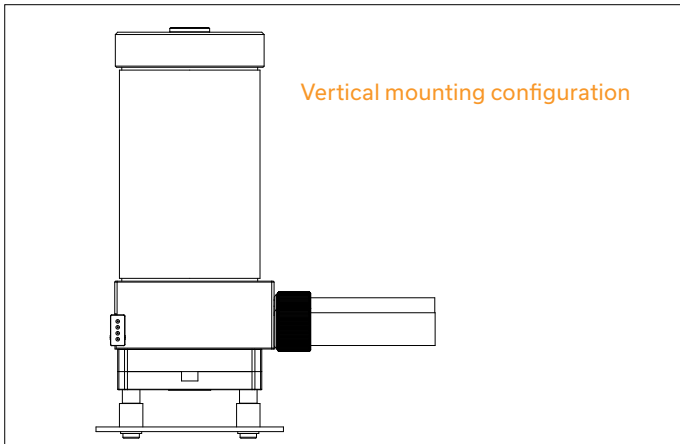
ATTACHING THE FITTINGS



EK-Classic Pump Reservoir 160 / 260 SPC PWM D-RGB series reservoir pump combo featured 2 (two) G1/4 threaded opening on the main body of which are inlet and outlet (clearly marked with 'OUT'). EKWB recommends using EK-ACF fittings with the EK-XRES SPC series reservoir pump combo units. If you use barbed fittings, please use hose clamps or an appropriate substitute to secure tubing.

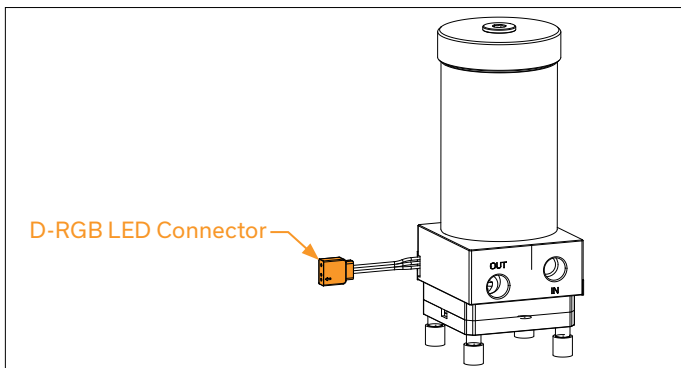
It is mandatory to use the correct INLET and OUTLET ports:

1. The OUTLET port (pressure port) is clearly marked with label 'OUT' engraved on the pump top housing.
2. The INLET port(s) (suction port) is clearly marked with 'IN' on the EK-XRES SPC front face plane.
3. Make sure not to use fittings or barbs with G1/4 thread longer than 6 mm! All EK fittings are compatible! We advise appropriate allen key for proper installation.



This water pump & EK-XRES SPC reservoir combo can be used in vertical mounting configuration (position) only! Mounting the pump upside down may result in pump running dry and eventually lead to premature failure of the pump!

CONNECTING THE D-RGB LED STRIP

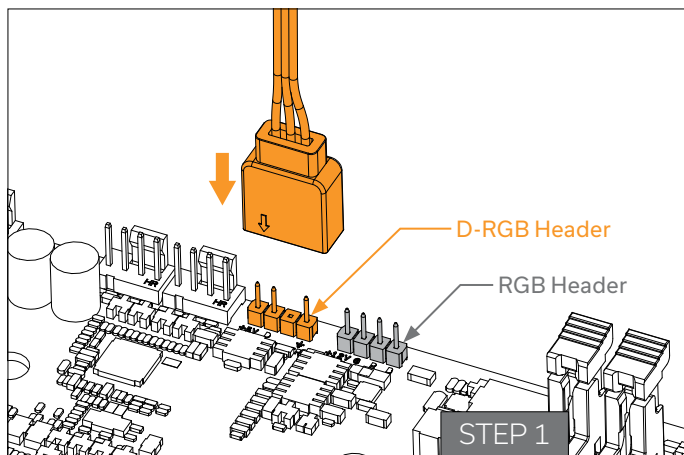


STEP 1

Plug in the 3-pin D-RGB connector from your GPU Water Block to a D-RGB header on your motherboard or controller. The LED Strip will only work if the pin layout on the header is as follows: **+5V, Digital, Empty, Ground**.



Incorrect installation or installation to the incorrect header may result in damage to the LED Strip or header!




SUPPORT AND SERVICE

For assistance please contact:


<http://support.ekwb.com/>

EKWB d.o.o.
Pod lipami 18
1218 Komenda
Slovenia - EU


SOCIAL MEDIA

 EKWaterBlocks

 @EKWaterBlocks

 ekwaterblocks

 EKWBofficial

 ekwaterblocks

