

# CORNERED AUDIO C8S



## Description

C8S is a compact and shallow on-wall subwoofer. The woofers face the wall and the sound is reflected out to the surroundings, allowing the subwoofer to blend discretely into any modern environment and offering full protection of the woofers.

The C8S features a powerful 8" woofer with dual voice coil and a passive radiator to extend the subbass performance to below 34 Hz. The built-in crossover with heavy duty terminals allows the cables for the top-boxes to be connected directly from the C8S. A built in mounting system also works as feet, so the subwoofer can either be hung on the wall or placed on the floor. Or, the feet can be removed and it can be placed under a sofa or other furniture. Measuring only 16cm deep – or 19 cm with wall mount, the C8S offers very loud output for its size with real sub bass extension. C8S is designed specifically to be used together with the Cornered C or Ci series but can of course be used with any high-quality loudspeaker.

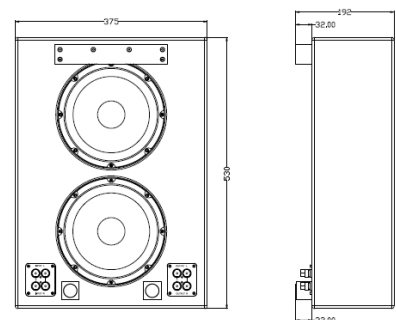
## FEATURES

- 8" woofer with 8" slave
- Woofer with dual voice coil
- Built in crossover
- On-wall, on-floor or below sofa
- Painted MDF cabinet
- Heavy duty screw terminals

## COLOURS



## DATA



Power handling, IEC268:	100 watt
Power handling, peak:	400 watt
Sensitivity, 2.83V/1m:	88 dB
Maximum SPL, long term:	108 dB
Maximum SPL, peak:	114 dB
Frequency response:	30-240 Hz
Nominal impedance:	8 ohm
Principle:	Passive radiator
Measurements:	(HxWxD) 530x375x192mm
Weight:	10,7 kg

---

# CORNERED AUDIO C8S

---

## Architectural Specifications

The loudspeaker system shall be an on-wall subwoofer based on reflective design. It shall feature a 8" woofer with dual voice coil and a 8" passive woofer for extended bass performance. The built-in crossover shall give a 1st order low pass roll-off on the woofer and a 2nd order high pass roll-off for the connected top top-box @ 240 Hz.

The cabinet shall be made in 18mm MDF with either RAL9010 white silk paint or black RAL9005. Performance specifications of a typical production shall be as follows: SPL at 1 m with 2.83 V input shall be at least 88 dB. Nominal impedance shall be 8 ohms, with minimum impedance being 6,5 ohm @ 240 Hz. Rated power handling according to IEC 268-5 shall be at least 100 watt. Frequency response shall be from 34-240Hz +/- 3 dB.

The enclosure shall be rectangular in shape with no visible cable terminals and no visible drive units when mounted on the wall. It shall be manufactured in MDF, incorporating integrated wall mounting system which also serve as feet. Outside dimensions shall be no greater than 530mm (height) x 375mm (width) x 192mm (depth including wall mount) and weight shall be 10,7 kg. The loudspeaker system shall be the Cornered Audio C8S.

---

CORNERED Audio ApS  
Rosenkæret 13, 2. tv  
2860 Søborg  
Denmark

info@cornered.dk  
+45 43 66 10 88  
www.cornered.dk