

Technaxx[®] * User Manual

Power Bank 6000mAh with FullHD Camera TX-92

The Declaration of Conformity you find here: www.technaxx.de/ (in bar at the bottom "Konformitätserklärung"). Before using the device the first time, read the user manual carefully.

This device has a rechargeable battery. It must be fully charged before first use.

NOTE: Charge the battery of the device every 2–3 month if it is not used!

Service phone No. for technical support: 01805 012643 (14 cent/minute from German fixed-line and 42 cent/minute from mobile networks).

Free Email: support@technaxx.de

Keep this user manual for future reference or product sharing carefully. Do the same with the original accessories for this product. In case of warranty, please contact the dealer or the store where you bought this product. * **Warranty 2 years**

Features

- Charging the most mobile devices (e.g. Smartphone, tablet PC, eBook reader, etc.)
- Rechargeable portable 6000mAh lithium ion battery (type 18650) 3.7V/22.2Wh
- FullHD video recording with 1/4" CMOS camera sensor 2MP & sound
- USB output 5V/1.5A for charging external digital devices
- MicroSD(HC) card slot up to 32GB
- Infrared night vision up to 2m
- Backup power on the go, ideal for travelling
- Built-in protection against overcurrent, short circuit, overload, overcharge, overvoltage
- Charging status is shown by 4 LEDs
- Easy handling via remote control

Technical specifications Power Bank

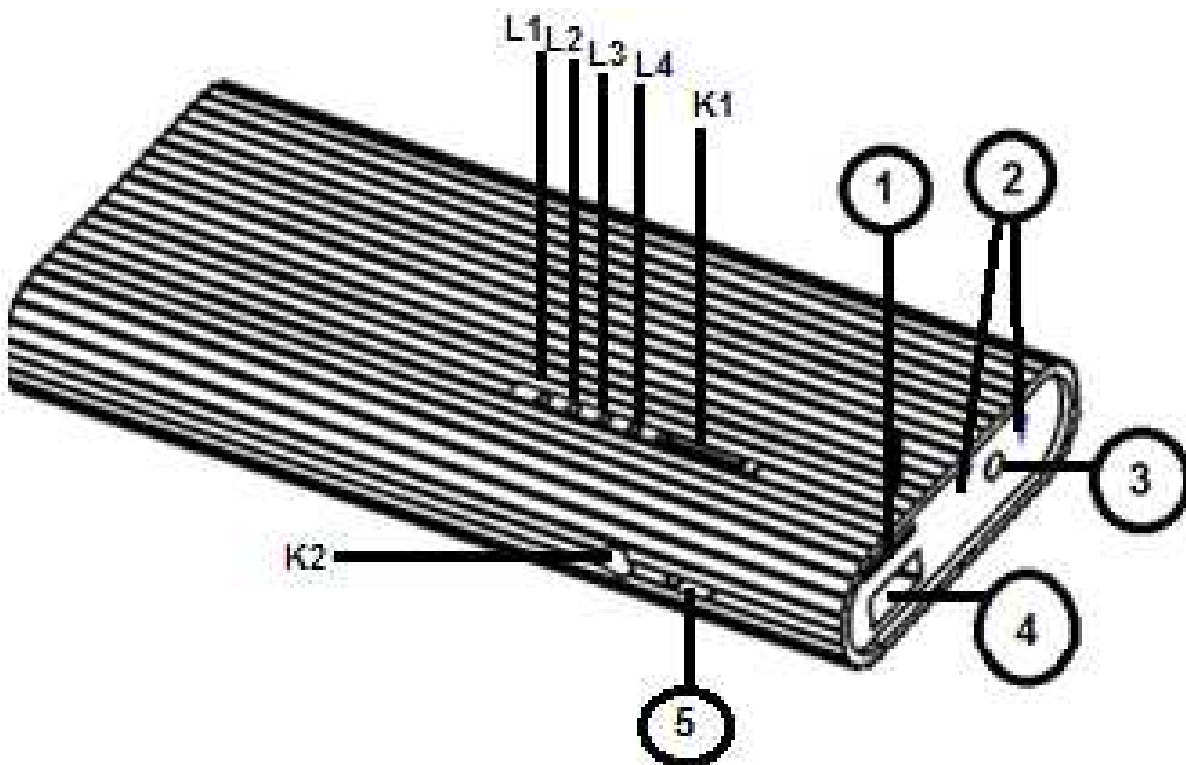
Built-in rechargeable 6000mAh lithium ion battery	
Battery type	18650 3.7V 22.2Wh
Power supply input (Micro USB)	DC 5V/1A power adapter** (**not included)
Power supply output (USB)	DC 5V/1.5A
Charging time	~7–9 hours without simultaneous recording ~15 hours with simultaneous recording
Connections	1x Micro USB 5V/2A (for power bank charging) 1x USB 5V/1.5A (for charging external device) 1x MicroSD(HC) card slot (max. 32GB)
Power consumption	Only video DC 3.7V/160mA
	Only IR DC 3.7V/100mA
Sound recording	Built-in non-visible microphone
Operating systems	Windows 7 / 8 / 8.1 / 10 / MacOS
Working temperature	–5°C up to +50°C
Weight / Dimensions	187g / (L) 13.8 x (W) 6.2 x (H) 2.1cm

Technical specifications Video Camera

Camera sensor	1/4" CMOS, 2MP, 1280x720
Viewing angle	60° horizontal
Video resolution	1920x1080 AVI format @ 30fps
Photo resolution	No photo function
IR night vision	~ 2m
Continuous recording time	~28 hours (only video function without IR)
External storage	MicroSD(HC) cards up to 32GB (up to Class 6) [has no internal storage]

Package Contents: Power Bank 6000mAh with FullHD camera TX-92, Micro USB to USB charging cable, Remote Control with button cell battery (CR2032), User Manual

Produkt Overview



L1	LED charging status	3	Camera
L2	Battery status	4	USB Slot (for charging other devices)
L3	LED for Infrared (flashing ON)		
L4	LED for Infrared (flashing OFF)	K1	Video recording (ON/OFF)
1	MicroSD Card slot	K2	Reset
2	4x Infrared LEDs	5	Micro USB Charging slot

Charge the Power Bank fully before use (~ 7–9 hours)

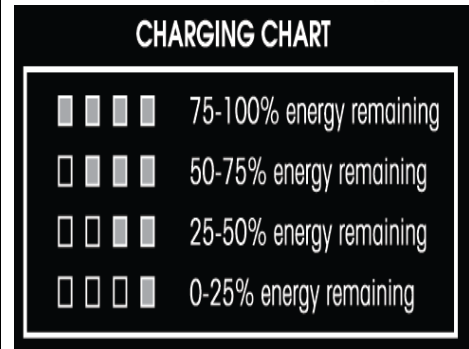
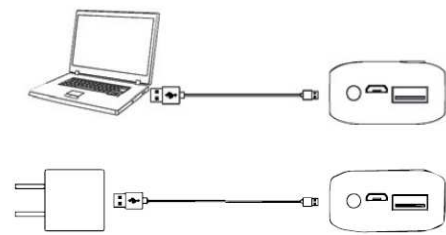
- Connect the Micro USB port of the charging cable* (*included) to the Power Bank. Then connect the USB port of the charging cable to the USB port of a AC adapter** (**not included) or to a PC/Notebook (see right picture).

- During charging the RED LED is blinking.

- The number of lighting of the RED LEDs is depending on the amount of power in the power bank.

- When only one LED is lighting that means the Power Bank is almost empty, 4 LED lighting means the Power Bank is almost full of power.

Charging: Use a 5V/1A adapter** (**not included) to charge the Power Bank. During charging the Blue LED L1&L2 steady on, RED light blinking. When fully charged the RED L1&L2&L3&L4 are steady on.



Capacity	Charging time of the Power Bank	iPhone 5	Sony Z1, Z2	Galaxy Note3	Galaxy S4, S5
6000mAh	approx. 7–9 hours	2.5 times	1.2 time	1.2 times	1.4 time

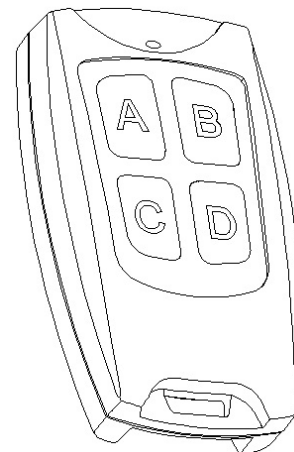
Functions of remote control

- Long press **A**, **L1&L2** will flash for 3 times and then turn off, recording begins; press long **B** to save the videos and to switch off – all LEDs are lighting shortly and then go off.

- On standby mode, press **C**, **L1&L2** will flash for 3 times, and then turn off, recording begins; press **C** to save the videos, **L1&L2** turn on, the Power Bank goes to standby mode.

- **IR light** can be turned on/off manually only while recording. While recording, press **D**, **L3** will flash for 3 times, and then turn off – IR lights turn on; Press **D** again, **L4** will flash for 3 times, and then turn off. The IR light turns off and is switched off.

Attention: When you have a problem with the remote control, press **K2** to reset.



A: Turn on / Video recording

B: Save videos / Turn off

C: Steady on/ Video recording

D: IR light on / off

Key (K1) functions and indicator LEDs description

● **Video recording:** Long press **K1** button, BLUE LED **L1&L2** blink 3 times and turn off, it starts recording videos.

● **Save videos:** Short press **K1**, BLUE LED **L1&L2** steady on. After 1 minute without any operation the Power Bank will automatically shutdown.

Note: Maximum file length of video recording is 3 minutes, after that a new file is created. Supports loop recording, when the memory card is full, it will remove an old file and add a new file.

● **Infra-Red Mode:** Under video recording mode, short press 2x **K1** button, BLUE **L3** flashes 3x; the infrared mode is activated. Short press the **K1** button 2 times, BLUE **L4** flashes 3x; the infrared mode is deactivated.

● **Recording while charging other devices (e.g. Smartphone):** Press short **K1** while the other device (e.g. Smartphone) is connected to the USB port, BLUE LED **L1&L2** are steady on. Press short **K1** to start a video recording. It is also possible to enable/disable the IR-LED. Under video recording mode, short press **K1** button 2 times, BLUE LED **L3** flashes 3x; the infrared mode is activated. Short press the **K1** 2 times, BLUE LED **L4** flashes 3x; the infrared mode is deactivated.

● **PC camera:** Connect the Power Bank to a computer, when it shows a removable disk, short press **K1**. Without MicroSD Card, the Power Bank will automatically go into PC camera mode (WEB cam mode).

● **Set Date and Time stamp**

The date and time will be revised for video in next recording. Plug in the Micro USB cable to the camera and to the computer.

→ Go on your PC to Explorer. The recordings of the camera will be recognized as removable Disk Drive. In the folder "Video" you can see the recorded videos in .avi format.

→→ Open the <timerset.txt> file on the MicroSD card (double click with right mouse button).

→→→ Fill in the current Year.Month.Day. hour:minute:seconds [eg: 2017.04.20 23:59:59 StampMode:Y]. (Change"Y" to "N", the time stamp will not show up).

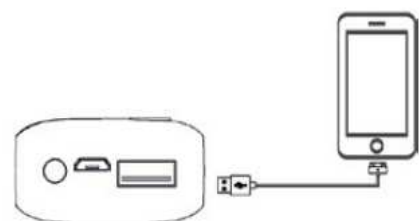
→→→→ Save the changed file in the menu <Save File>. Then finish the Day/Time formatting by <File/Close>.

→→→→→ Power off the Power Bank and restart it. The Power Bank now has the current date and the current time.

● **Reset:** Press K2 button if the camera of the Power Bank does not operate properly.

How to use your Power Bank

- Connect the USB charging cable* (*not included) of your device (which should be charged) to the output port (USB) of the Power Bank (see right picture).



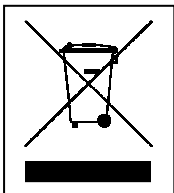
- Connect the other end of the USB cable to the other device which you want to charge (e.g. Smartphone). The charging process will start automatically.
- When the Power Bank has no output, you have to charge it immediately.
- During charging process the RED LED is flashing. The number of lighting RED LEDs is depending on the amount of power in the Power Bank left.

NOTE: ● Because of the power conversion efficiency of the Power Bank and your digital devices, the rated capacity of the Power Bank is not equal to the actual chargeable capacity. ● This Power Bank could charge the most of the digital devices, but it is possible that some devices are not supported. ● If the Power Bank could not charge your devices, then check if the cable is firmly connected or if the right connector has been chosen, the original cable sold along with your device is always suggested to use. ● If the instantaneous current is oversize when charging the digital devices, the Power Bank will turn off to the protected mode automatically.

Important Safeguards / Warnings / Maintenance: ● Do not use this unit for anything other than its intended to use. ● Do not drop/ bump/shake the device (do not use the unit if it has been damaged in any way). ● Do not open/repair/disassemble the device ● Do not store the device in high temperature environment/close to open fire/in humid-damp-erosive environments/into water. ● Stop using when unusual smell/heating distortion/color-change of the shell material or other abnormal situation happens. ● Keep away from children/persons without enough mental ability/persons without enough knowledge to use this product.



Security and Disposal Hints for Batteries: Hold children off batteries. When a child swallowed a battery go to a doctors place or bring the child into a hospital promptly! Look for the right polarity (+) and (-) of batteries! Always change all batteries. Never use old and new batteries or batteries of different types together. Never short, open, deform or load up batteries! **Risk of injury!** Never throw batteries into fire! **Risk of explosion!**



Hints for Environment Protection: Packages materials are raw materials and can be recycled. Do not disposal old devices or batteries into the domestic waste.

Cleaning: Protect the device from contamination and pollution (use a clean drapery). Avoid using rough, coarse-grained materials or solvents/aggressive cleaner. Wipe the cleaned device accurately. **Distributor:** Technaxx Deutschland GmbH & Co.KG, Kruppstr. 105, 60388 Frankfurt a.M., Germany

Battery Care Information (the battery is NOT replaceable):

Rechargeable batteries are only to be charged under adult supervision and are only to be charged by adults. Regularly examine the USB charging cable or Smartphone cable** (**not provided) for any damage to their cord plug, enclosure and other parts. In case of damage, do not use it until it has been repaired or replaced.

DISCLAIMER: This charger is meant for using only in conjunction with the appropriate mobile entertainment device. We, the manufacturer, are not responsible for any damages to any mobile entertainment device incurred through use of this product.