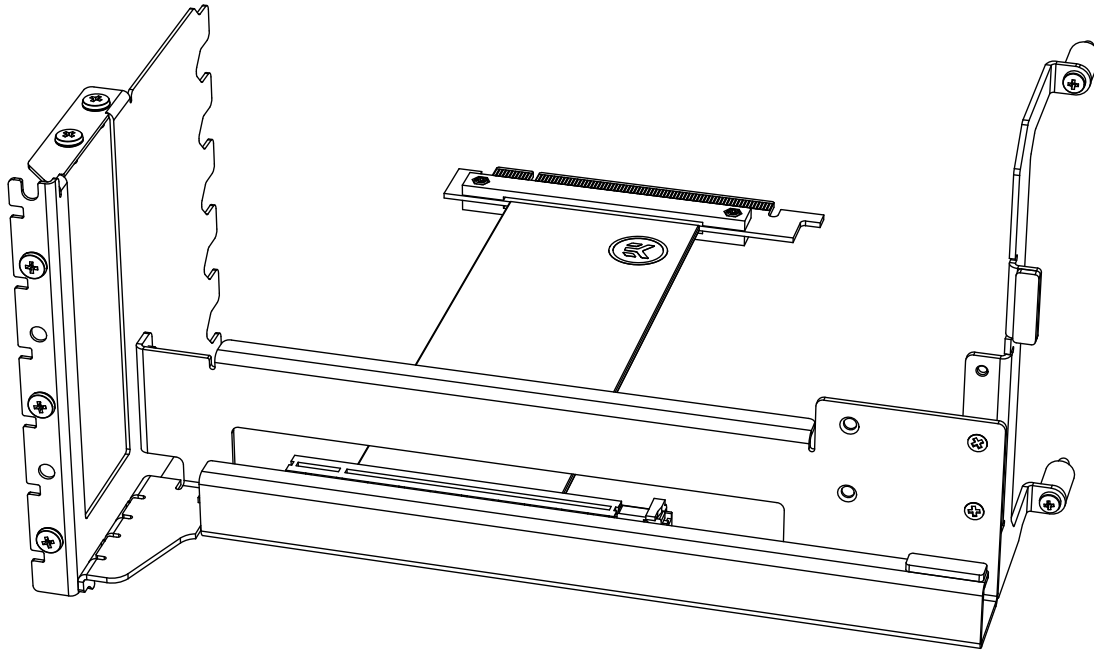


# EK-Loop Vertical GPU Holder



This product is intended for installation by expert users only. Please consult with a qualified technician since improper installation may result in damage to the equipment. EK assumes no liability whatsoever, expressed or implied, for the use of this product, nor its installation. The following instructions are subject to change without notice. Please visit our website at [www.ekwb.com](http://www.ekwb.com) for updates.

**Carefully read the manual before beginning with the installation process!**

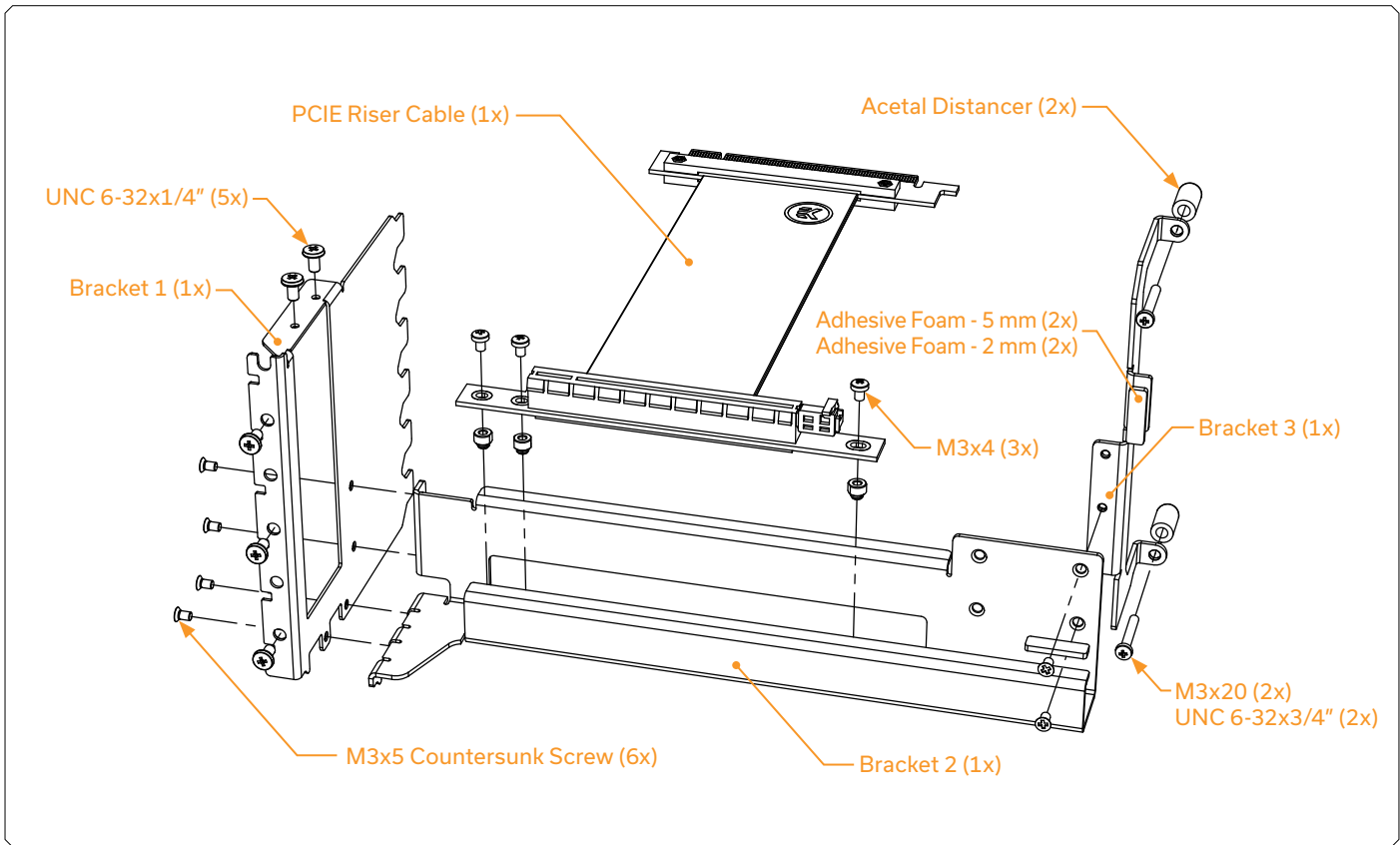
## **SAFETY PRECAUTIONS**


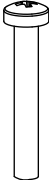





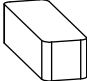
1. Keep and store the product away from the reach of children.
2. Check the component list and condition of the product before installation. In case you encounter a problem, contact the shop where you have purchased the product to get a replacement or a refund.
3. Before installation of the Vertical GPU Holder, power off your computer and unplug the power cables.
4. EK is not responsible for any damages due to external causes, including but not limited to: improper use, problems with electrical power, accident, neglect, alteration, repair, improper installation, and improper testing.
5. CPU, GPU, and motherboard are subject to damage if the product is incorrectly installed.
6. Product design and specifications may be revised to improve quality and performance.

# TABLE OF CONTENTS

<b>WHAT IS ENCLOSED</b> .....	<b>4</b>
<b>REQUIRED TOOLS</b> .....	<b>5</b>
<b>DIMENSIONS OF THE VERTICAL GPU HOLDER</b> .....	<b>6</b>
<b>INSTALLATION GUIDE</b> .....	<b>7</b>
<b>SUPPORT AND SERVICE</b> .....	<b>13</b>
<b>SOCIAL MEDIA</b> .....	<b>13</b>

# WHAT IS ENCLOSED

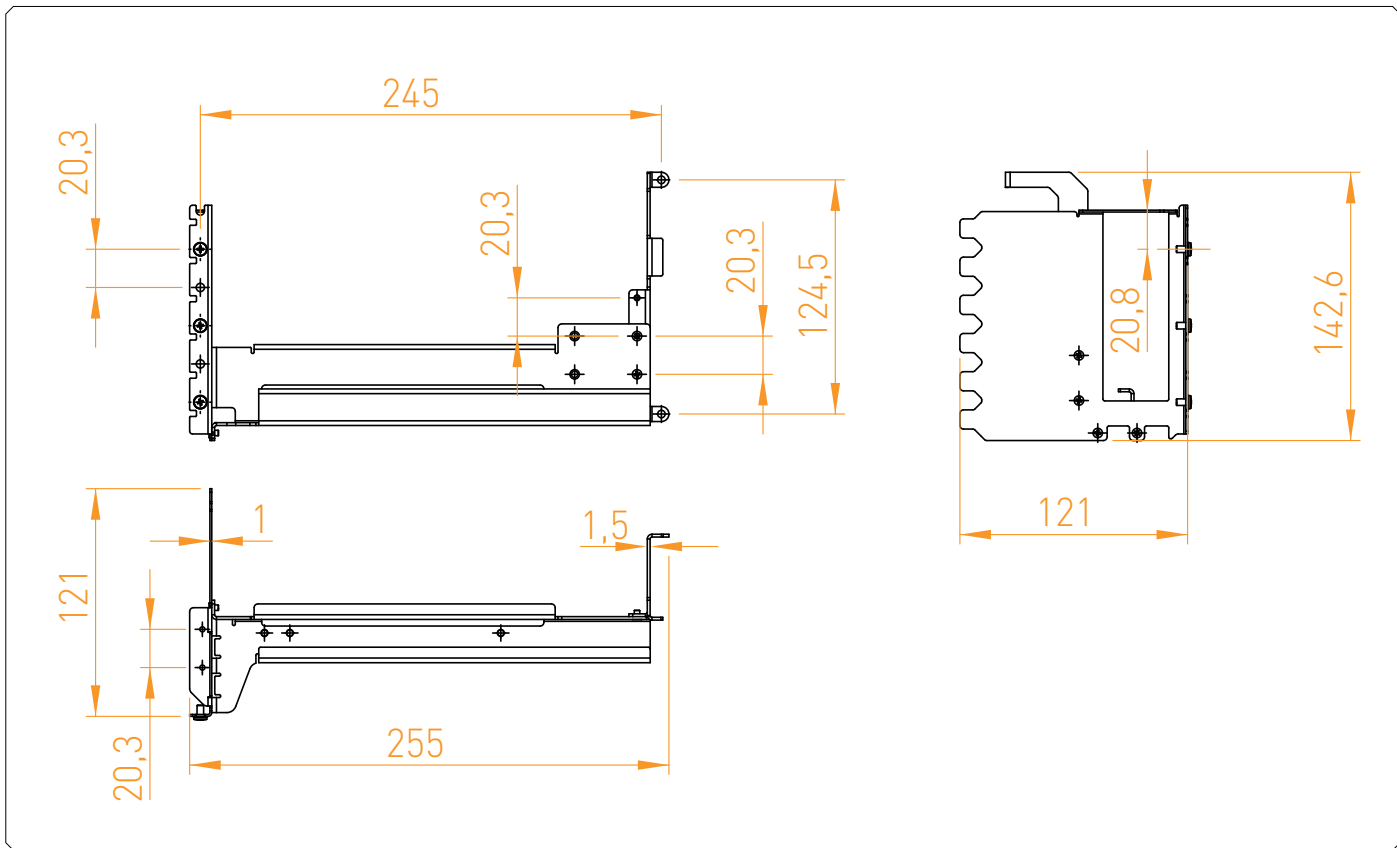


 <p>Acetal Distancer (2x)</p>	 <p>M3x20 (2x)</p>	 <p>UNC 6-32x3/4" (2x)</p>	 <p>UNC 6-32x1/4" (5x)</p>
 <p>M3x4 Pan Head Screw (3x)</p>	 <p>M3x5 Countersunk Screw (6x)</p>	 <p>Protective Foam 2mm (2x)</p>	 <p>Protective Foam 5mm (2x)</p>

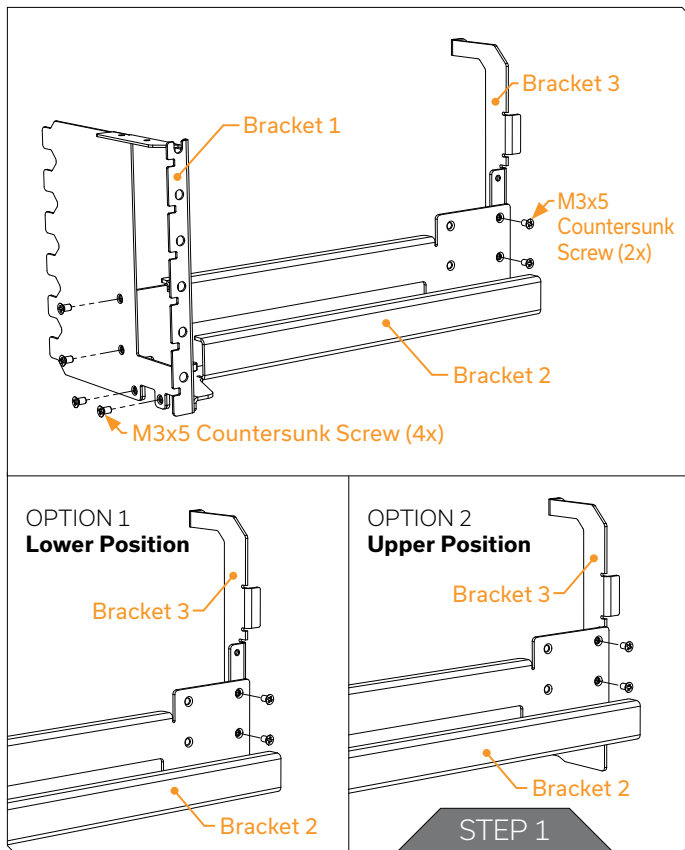
## REQUIRED TOOLS



## DIMENSIONS OF THE VERTICAL GPU HOLDER



## INSTALLATION GUIDE

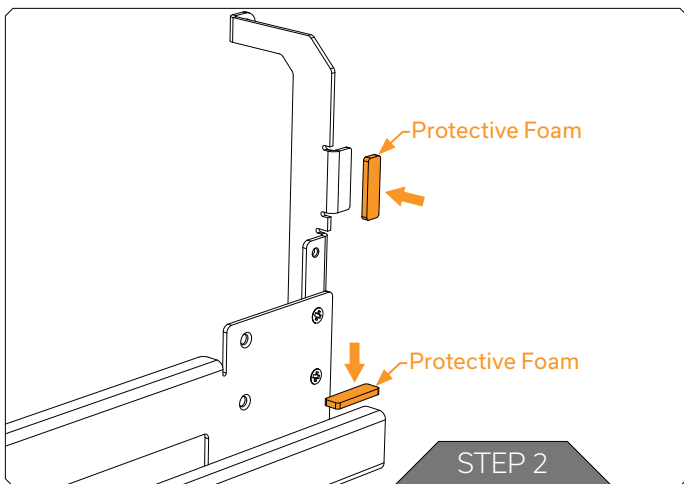


### STEP 1

Assemble the three steel brackets with the six M3x5 countersunk screws. Depending on how you want to position the GPU holder inside your PC, you may choose between two options.

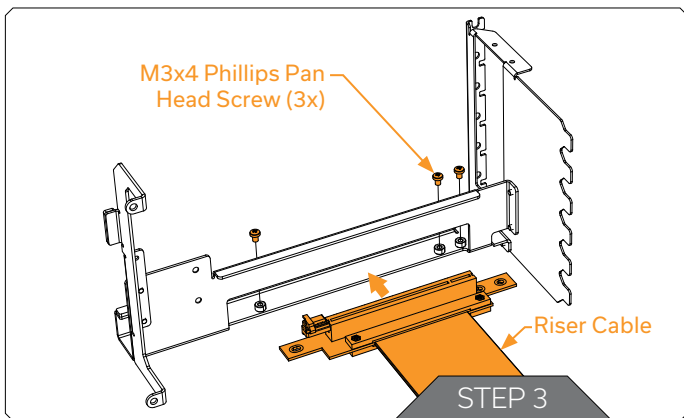


In some cases, you may skip the installation of the »Bracket 3« if it interferes with other components inside your PC. You should check this before proceeding with the installation. In most cases, the assembly of »Bracket 1« and »Bracket 2« should provide sufficient load-bearing capacity, while the »Bracket 3« will provide additional stiffness and stability for the whole GPU Holder.



## STEP 2

Stick two protective adhesive foams, as indicated in the diagram. The »2mm protective foam« should be enough for the protection of your GPU during installation. In some cases, you may use the »5mm protective foam« (also enclosed in the package) for the extra support of your GPU.



## STEP 3

Attach the PCIe riser cable to the brackets assembly with three M3x4 Phillips pan head screws.

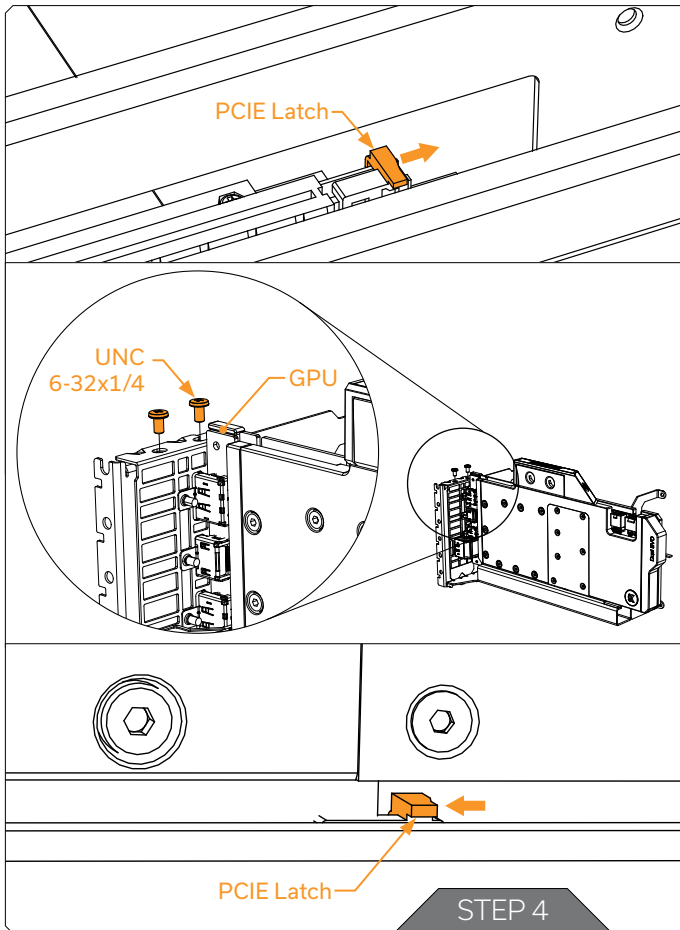


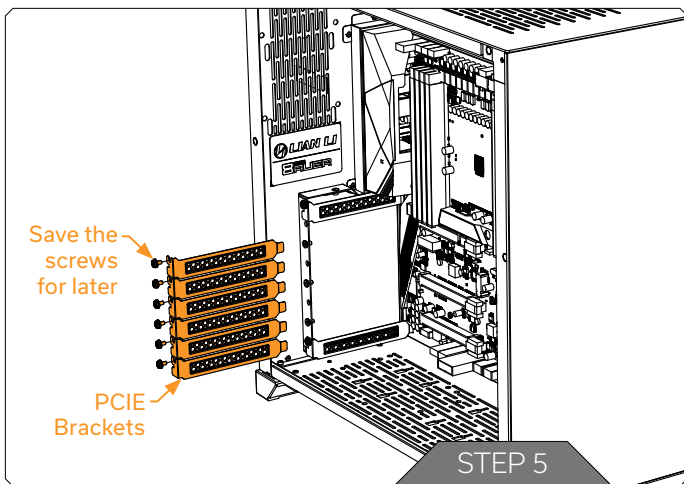
#### STEP 4

Before you mount the GPU, make sure the PCIE latch is not closed - it must be pushed to the right side.

Carefully mount the GPU onto the GPU Holder, using two UNC 6-32x1/4 screws. Pay special attention not to damage the GPU.

Secure the GPU by moving the PCIE latch that is positioned underneath it, to the left. You may use a credit card, screwdriver, or similar item to move the latch.





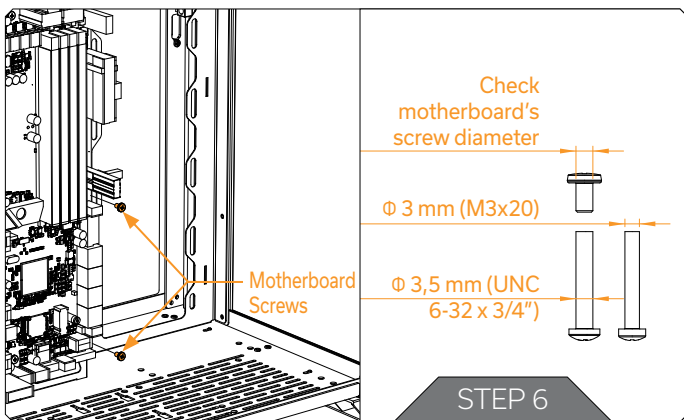
## STEP 5



Before you start to assemble the Holder with the GPU to the motherboard, make sure that your computer is powered off and the PSU power cable unplugged. It is also recommended that you put your computer with the motherboard in a horizontal position before you continue with the installation process.

Remove the six appropriate PCIe brackets from your case. Which brackets you need to remove depends on the installation option you chose at STEP 1.

Save all removed screws - you'll need them later.



## STEP 6

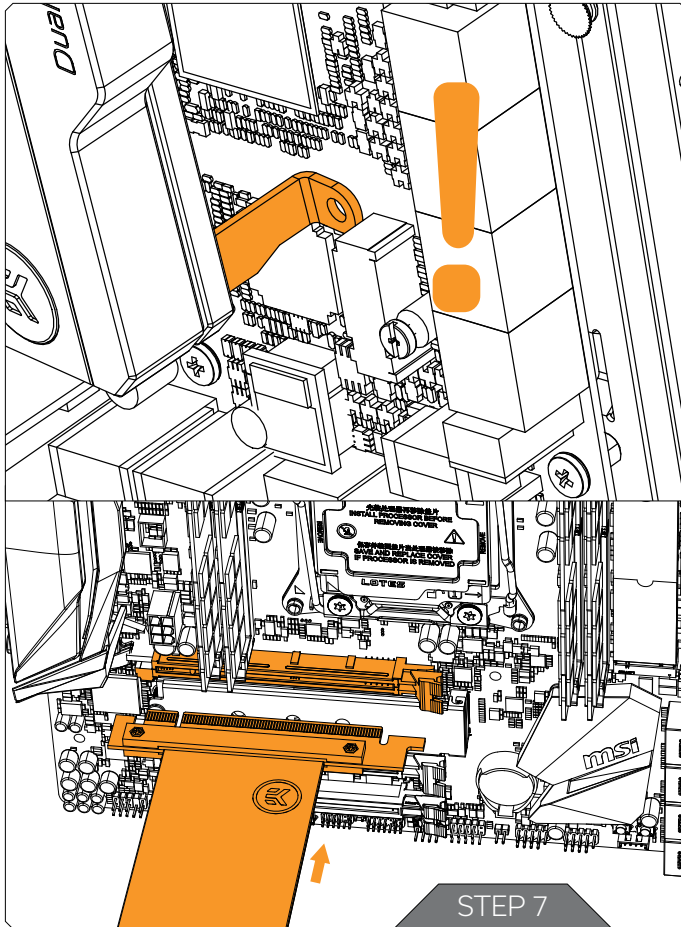
Remove the two screws at the bottom right side of the motherboard. Compare one of the removed screws with the M3x20 and UNC 6-32x3/4 from the package to determine which have the same thread diameter. Later on, you will have to use the correct type of screws to attach the GPU Holder.

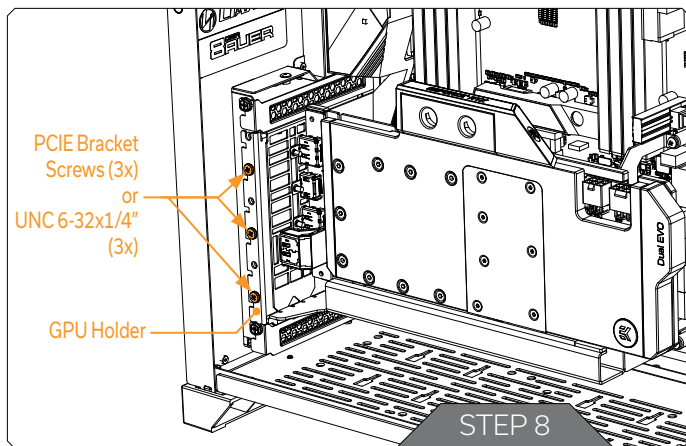
## STEP 7



During the following Steps of the installation process, be especially careful not to hit or scratch your motherboard or any other PC component while you're mounting the GPU Holder to the motherboard. Pay special attention that the »Bracket 3« of the GPU Holder (the right side) doesn't hit the motherboard.

Carefully connect the Riser cable from the GPU Holder to the PCIe slot on the motherboard.

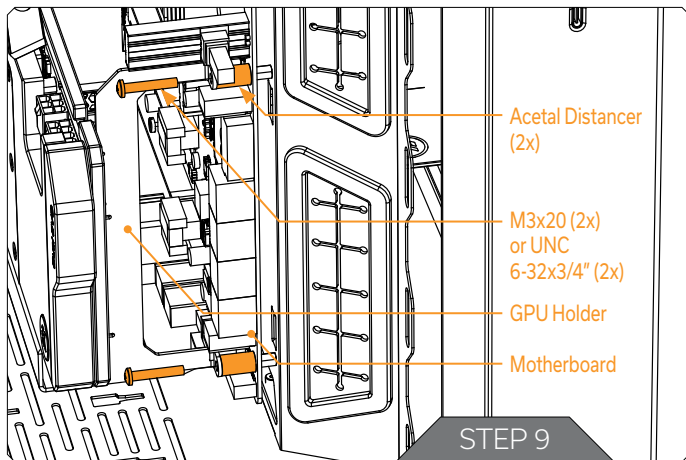




### STEP 8

Use three or more screws to attach the GPU Holder to the left side of the PC case.

Use the PCIe bracket screws that you've saved earlier or UNC 6-32x1/4 screws from the package.



### STEP 9

Put the two acetal distancers under the »Bracket 3« of the GPU Holder. Use those two screws that you picked in Step 6 (M3x20 or UNC 6-32x3/4) to attach the right side of the GPU holder to the PC case through the acetal distancers and the motherboard.

### STEP 10

Finally, connect the GPU cables (as instructed by the GPU manufacturer) to complete the installation.


## SUPPORT AND SERVICE

In case you need assistance, please contact:


<http://support.ekwb.com/>

EKWB d.o.o.  
Pod lipami 18  
1218 Komenda  
Slovenia - EU


## SOCIAL MEDIA

 EKWaterBlocks

 @EKWaterBlocks

 ekwaterblocks

 EKWBofficial

 ekwaterblocks

