



PROFILE STREAMING SET

USB Microphone



The Profile USB Microphone is where performance meets accessibility. Featuring a cardioid condenser capsule, this USB-C powered microphone puts audio quality and design above all else.

Created for Podcasting and Streaming, the Profile has three fundamental controls; Gain Control to adjust the level of the microphone, Mix Control to balance the microphone with your device audio, and Volume Control to set your headphone monitoring level.

FEATURES

- **Powered by USB-C**
(macOS/iPadOS/Windows/Android)
- **Adjustable tilt function**
(self-locking joint for optimal positioning)
- **Mute button**
(with LED ring to indicate when engaged)
- **Gain control**
(with LED ring to indicate power and audio clipping)
- **Mix control**
(for balancing microphone and device level)
- **3.5 mm headphone output**
(for audio monitoring)
- **Headphone volume control**
(for adjusting the volume of the headphone)
- **Cardioid capsule**
(for off-axis rejection of sound)
- **Robust metal housing and premium finish**
- **3-point self-locking boom arm**
(with cable management and adjustable desk clamp)

DELIVERY INCLUDES

- Profile USB Microphone
- Boom Arm
- USB-C Cable (3 m)
- Mic pouch
- Quick guide
- Safety Guide with manufacturer's declarations

SYSTEM REQUIREMENTS

- Windows: 10.0 or later
- macOS: 10.15 or later
- Android: 9.0 or later
- iPadOS*: 14 or later
(* Compatible with USB-C enabled Apple devices)

ACCESSORIES

- Boom Arm | Item no: 700101
- Profile Table Stand | Item no: 700102
- USB-C Cable (3 m) | Item no: 700103



PROFILE STREAMING SET USB Microphone

SPECIFICATIONS

Overall device

Operating temperature	0 °C to +40 °C (32 °F to 104 °F)
Storage	-20 °C to +70 °C (-4 °F to 158 °F)
	10 to 95 %, non-condensing
Dimensions	Microphone: Ø 50 x 152 mm Boom arm: 780 mm (horizontal reach)
Connectors	USB Type-C (USB 2.0 Full-Speed) 3.5 mm TRS
Cable length	3 m (Profile Streaming Set)
Power supply	5 V \pm , max. 200 mA
Weight	Microphone: 350 g Boom arm: 820 g

Microphone

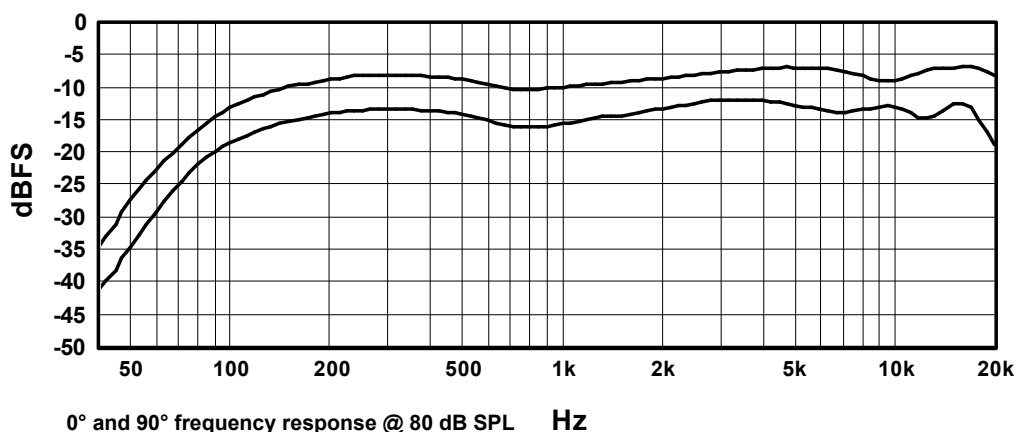
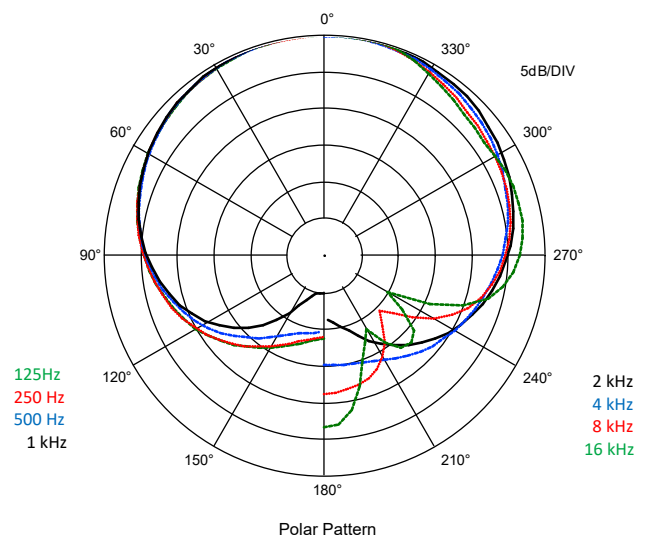
Transducer principle	Pre-polarized condenser microphone
Pick-up pattern	Cardioid
Sensitivity at max. gain	-10 dBFS at 80 dB SPL
Sensitivity at min. gain	-50 dBFS at 80 dB SPL
Max SPL	
Min. gain	125 dB SPL
Max. gain	85 dB SPL
Frequency range	20 to 20,000 Hz
Equivalent noise level	
Min. gain	34 dB(A) SPL
Max. gain	28 dB(A) SPL
Sampling rates	44.1, 48 kHz
Sampling resolution	16, 24 Bit

Headphone output

Connector	3.5 mm TRS
Min. output impedance	16 Ω
Frequency range	20 to 18,500 Hz

OS Interoperability

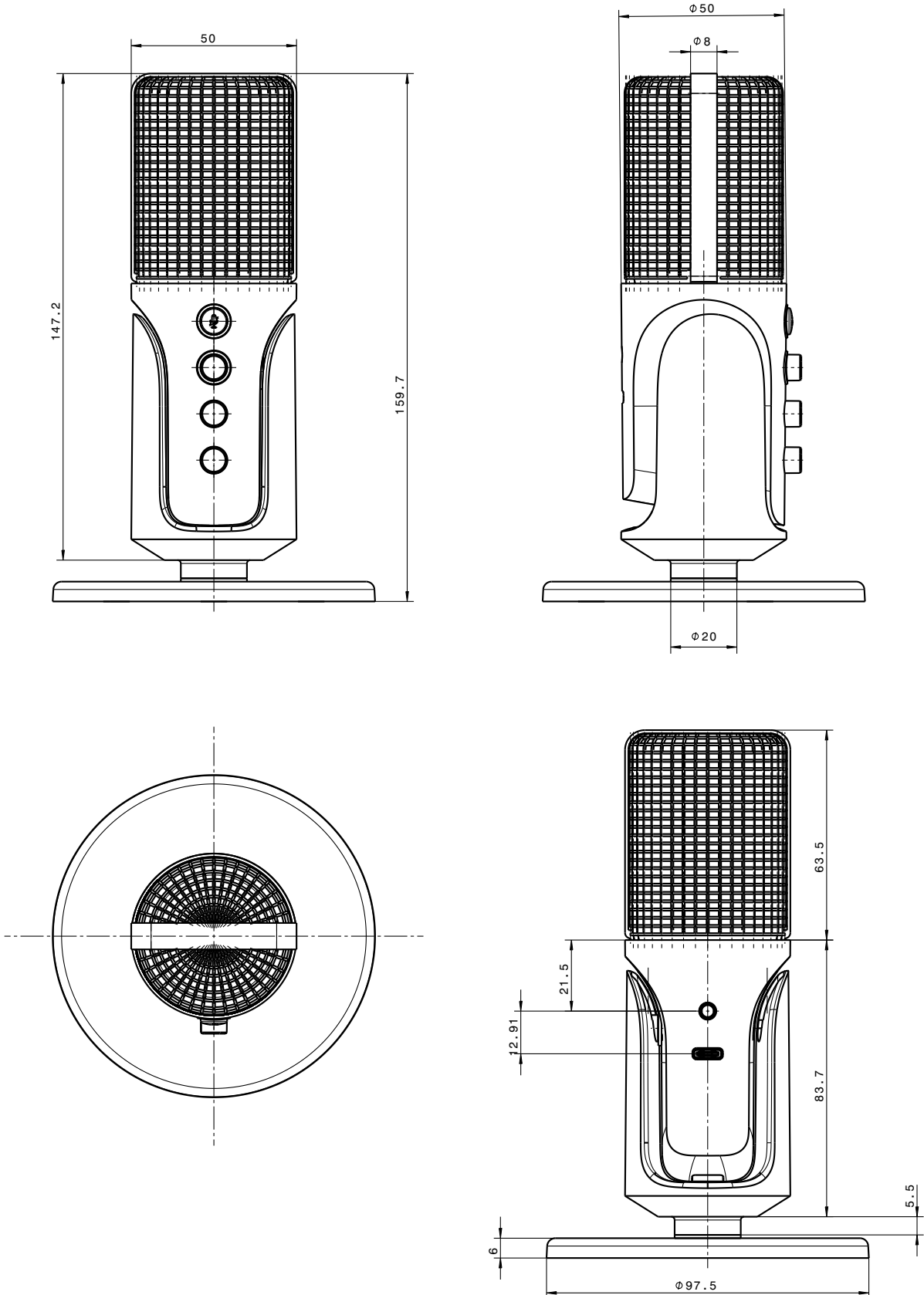
Windows	10.0 or higher
macOS	10.15 or higher
Android	9.0 or higher
iPadOS *	14 or higher
(* Compatible with USB-C enabled Apple devices)	





PROFILE STREAMING SET USB Microphone

DIMENSIONS





PROFILE STREAMING SET USB Microphone

DIMENSIONS

