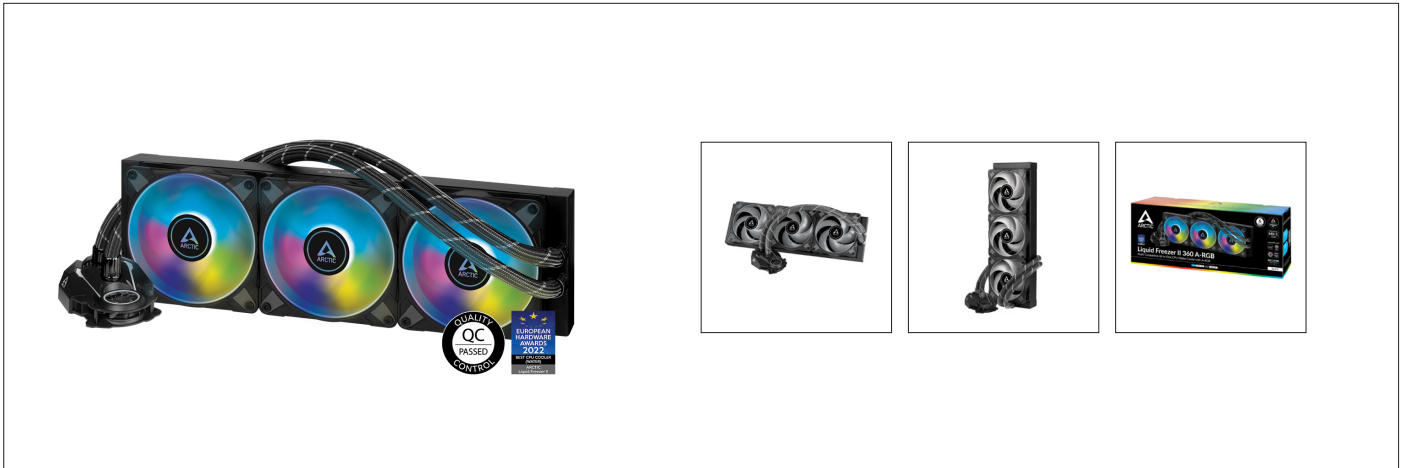


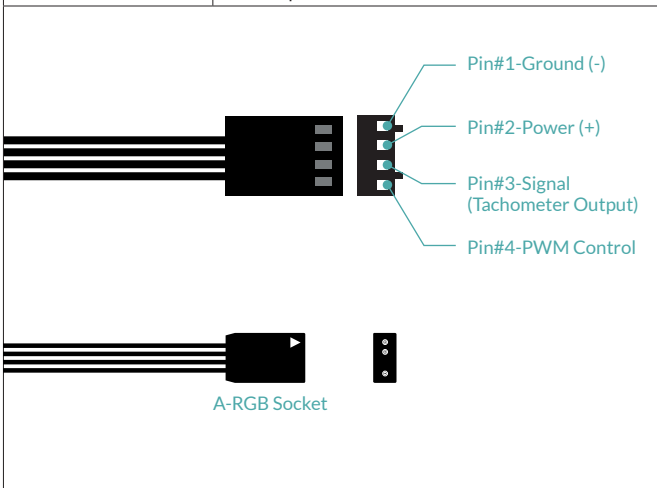
Liquid Freezer II 360 A-RGB

Multi Compatible All-in-One CPU Water Cooler with A-RGB



General Specifications

Compatibility	Intel® 1700, 1200, 115X, 2011-3*, 2066* *Square ILM AMD® AM5, AM4, AM3(+)
TIM	MX-5 (0.8 g)
Weight	1729 g (3 Fans, Radiator, Pump, Tubes)
Warranty	6 years
Connector	Fan: 4-pin PWM Connector LEDs: 3-pin 5V-DI-GND Connector



Shipping Information

Box Dimension	414 (L) x 142 (W) x 167 (H) mm
Gross Weight	2250 g
SKU	ACFRE00101A
EAN	4895213703192
UPC	840033400992

Pump/Cold Plate Specifications

VRM Fan	40 mm, 1000-3000 rpm (Controlled by PWM)
Pump	800-2000 rpm (Controlled by PWM)
Power Consumption	0.5 W-2.7 W Pump and VRM Fan
Tube Length	450 mm
Tube Diameter	Outer: 12.4 mm Inner: 6.0 mm
Dimensions	78 (L) x 53 (W) x 98 (H) mm

Fan Specifications

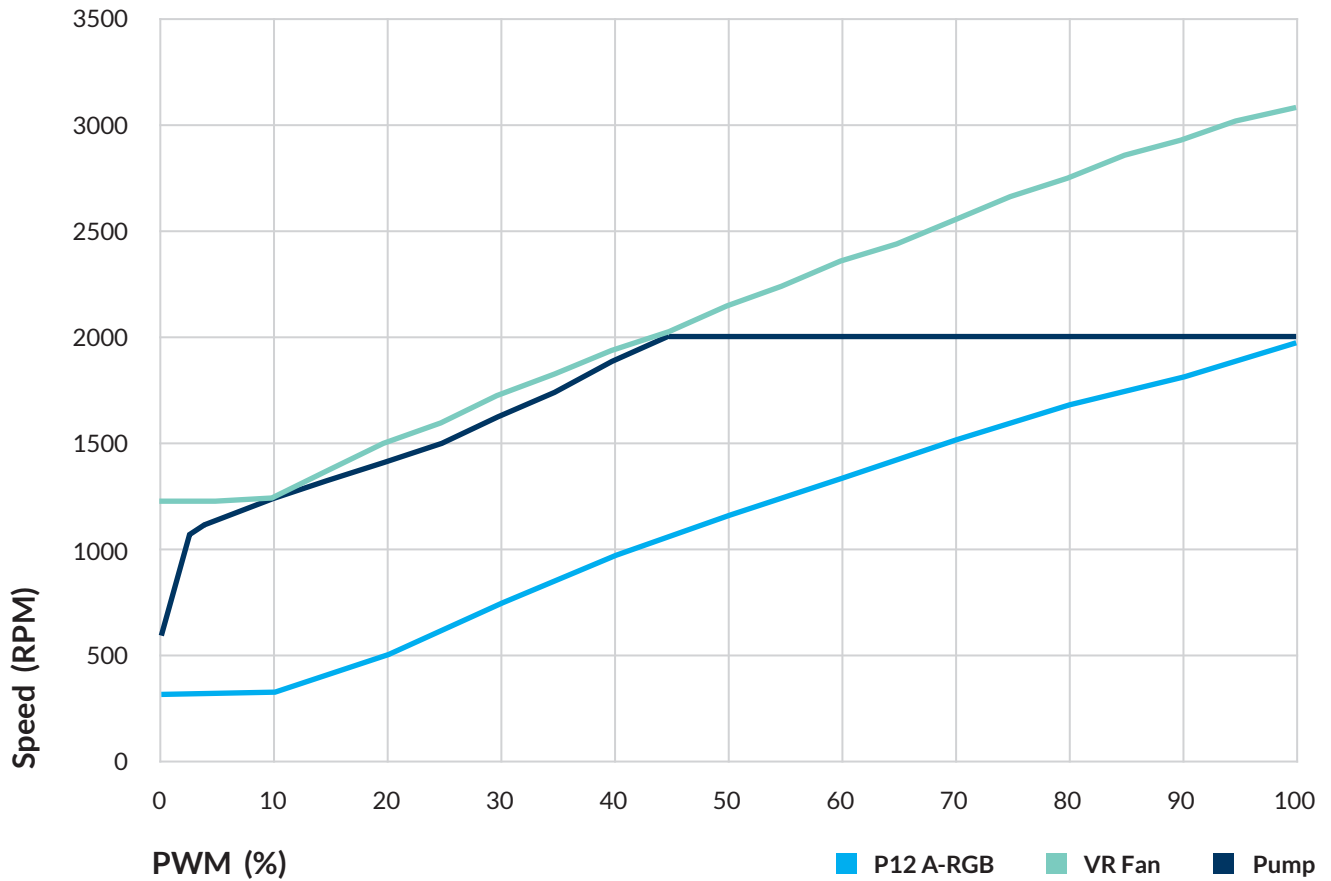
Speed	200-1800 rpm
Airflow	48.8 cfm 82.91 m³/h
Static Pressure	1.85 mm H ₂ O
Noise Level	0.3 Sone
Fan Dimensions	120 (L) x 120 (W) x 25 (H) mm
Speed Control	Pulse Width Modulation
Connector	4-Pin Connector Cable
Bearing	Fluid Dynamic Bearing
Current/Voltage	0.11 A/12 V
RGB Specifications	
LEDs	3 x 12 A-RGB LEDs
Connector	3-Pin 5V-D-GND Cable
Current/Voltage	0.4 A/5 V

Radiator Specifications

Material	Aluminium
Dimensions	398 (L) x 38 (W) x 120 (H) mm

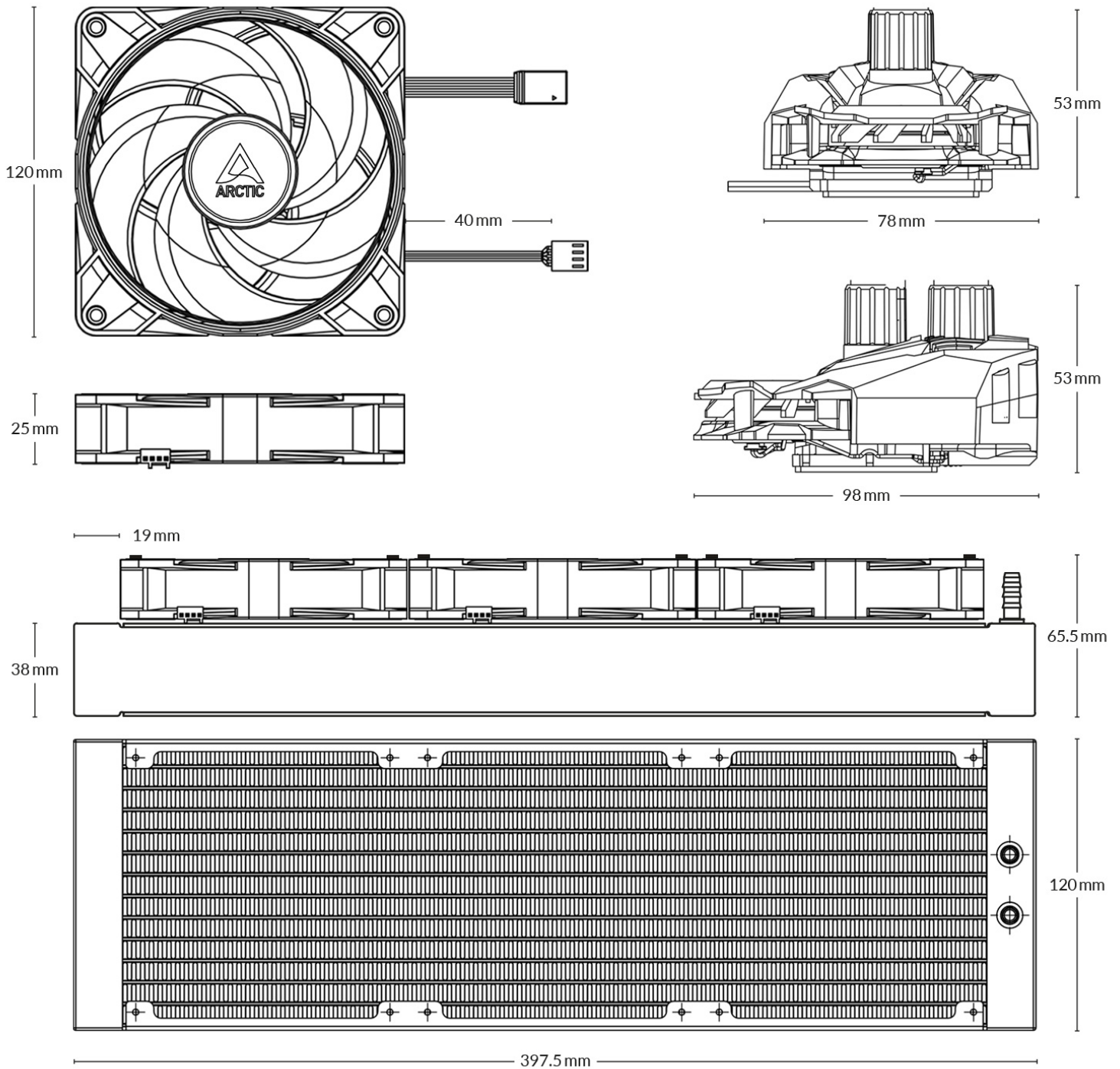
Liquid Freezer II 360 A-RGB

Multi Compatible All-in-One CPU Water Cooler with A-RGB



Liquid Freezer II 360 A-RGB

Multi Compatible All-in-One CPU Water Cooler with A-RGB



All materials are compatible with RoHS requirements



Product Information



Manual