

## Product information sheet SUPRA 500-IF/A

Item no. 523362

### Benefits

---



- Wide programme
- With integrated tap ledge in just one worktop cut-out
- Elegant IF flat-rim for flushmount and for installation from above
- Practical accessory optional available

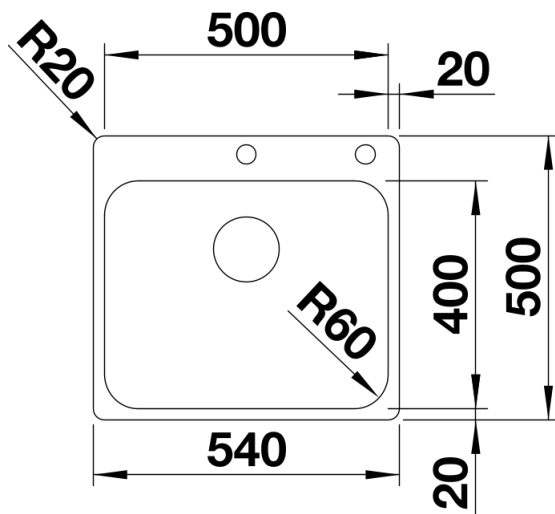
## Scope of supply

---

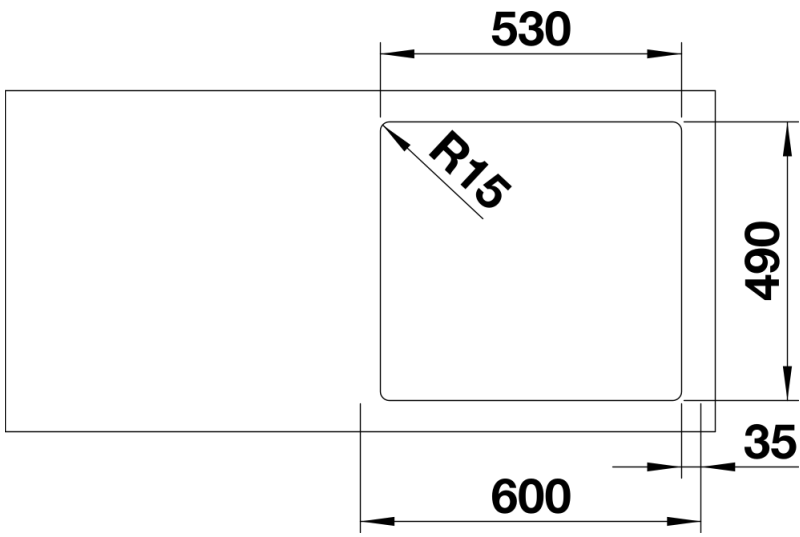
- waste kit with space-saving pipe
- 3 1/2" basket strainer with drain remote control (pop-up)
- fixing kit

## Details

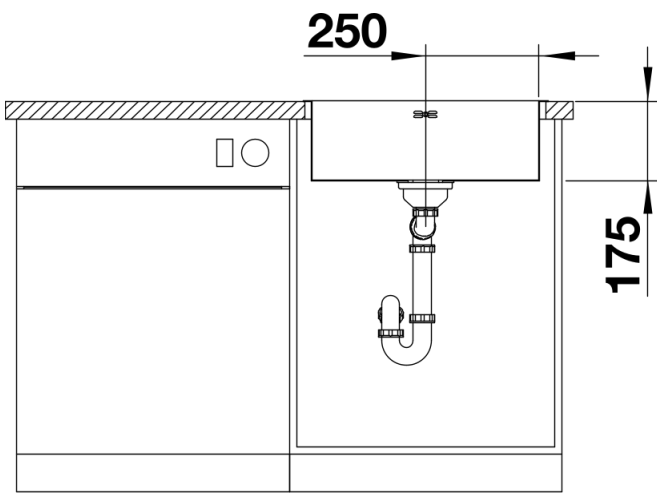
---



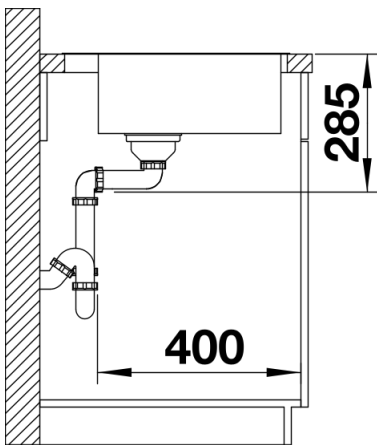
Top view



Cut-out



Front view



Side view