



# BOSCH



Bosch  
 CTL636ES1  
 Built-in fully-automatic coffee machine

Predecessor:

Successor:

EAN code:  
 4242002769226

sales programme:

### CTL636ES1 Fully-automatic coffee maker stainless steel

#### Flavour

- SensoFlow System: The innovative heating system guarantees maximum espresso indulgence every time, thanks to its ideal, constant brewing temperature
- AromaPro Concept: Ideal contact pressure for optimal aroma extraction
- One-touch preparation: Ristretto, Espresso, Espresso Macchiato, Coffee, Cappuccino, Latte Macchiato, Caffè Latte at the touch of a button
- AromaDouble Shot: Extra-strong coffee with less bitterness thanks to two grinding and brewing processes
- Beverage temperature adjustable individually: coffee 3 levels, hot water 4 levels
- Including BRITA Intenza water filter: Reduces the lime content of water and filters substances affecting smell and taste

#### Convenience

- TFT display with interactive menu
- MyCoffee: Save 8 favourite beverages with individual names and adjustable mixing ratio of milk and espresso
- IndividualCup Volume: Cup sizes adjustable individually, to ensure your cup gets filled just as far as you would like it to
- Coffee outlet and milk frother height-adjustable: Up to 15 cm high Latte Macchiato glasses fit underneath
- OneTouch DoubleCup: Prepare two cups simultaneously for all coffee and milk specialities
- Water tank removable for easy refilling (2.4 l volume)
- Early warning if water tank almost empty or bean container almost empty
- Flexible milk solution: Decide for yourself if you prefer connecting the provided milk container or using any other container, e.g. a milk carton
- Short user manual always at hand inside appliance

#### Performance

- SilentCeram Drive: Quiet premium grinder made from non-wearing ceramic
- CoffeeSensor Pro: The grinding unit automatically adjusts to bean variety
- One-touch coffee milk specialities with especially fine-pored milk froth thanks to an innovative milk frother
- In addition to beverages also available separately: milk foam, warm milk, hot water
- Reduced heat-up time: Fastest first cup
- Water pump with 19 bar pressure
- Separate chute for ground coffee, e.g. caffeine-free coffee
- 15.000 cup warranty: Consistently high appliance quality from the first cup to the 15,000th (valid for non-commercial use within 24 months)

#### Hygiene

- Removable brewing unit: Easy and hygienic cleaning under running water
- AutoMilk Clean: Fully-automatic steam cleaning of the milk system after every beverage
- Milk frother removable and dishwasher-proof
- SinglePortion Cleaning: Complete emptying of all pipes after each brewing process

#### Included accessories

9 x assembly screws, 1 x scoop, 1 x water filter, 1 x test strip, 1 x milk container (insulated), 1 x connection hose for milk frother, 1 x milk pipe

#### Optional accessories

- HEZ860060 strip
- TCZ6001 Accessories small appliances
- TCZ7003 Accessories small appliances
- TCZ8002 Descaling tablets
- TCZ8004 Care set espresso
- TCZ8009N Insulated milk container

#### Technical Data

##### Characteristics

Frothing nozzle : Yes  
 Water protection system : no  
 Dimensions of the product (mm) : 455 x 594 x 375  
 Required niche size for installation (HxWxD) : 449 x 558 x 354  
 Hot water spout : Yes  
 Adjustable programs : Brewing temperature, Coffee powder quantity per cup, Grinding factor, Water hardness, Water quantity per serving  
 Standby function : Yes  
 Pump pressure (bar) : 19  
 Simultaneous preparation of 2 cups : Yes

Included accessories : 9 x assembly screws, 1 x scoop, 1 x water filter, 1 x test strip, 1 x milk container (insulated), 1 x connection hose for milk frother, 1 x milk pipe

Optional accessories : HEZ860060, TCZ6001, TCZ7003, TCZ8002, TCZ8004, TCZ8009N

##### Consumption and connection features

Electrical connection rating (W) : 1600  
 Current (A) : 10A  
 Voltage (V) : 220-240  
 Frequency (Hz) : 50/60  
 Plug type : GARDY plug w/ earthing  
 Product group : Built-in coffee machine  
 Brand : Bosch  
 Product name / Commercial code : CTL636ES1

Main colour of product : Stainless steel  
 Typology : Fully automatic  
 Approval certificates : , Australia Standards, CE, Eurasian, VDE  
 Length of main cable : 1.7  
 Recommended height for installation (mm) : 449

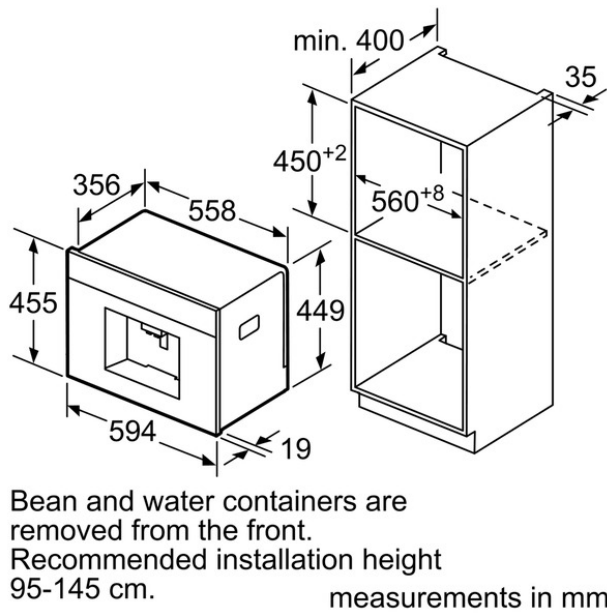
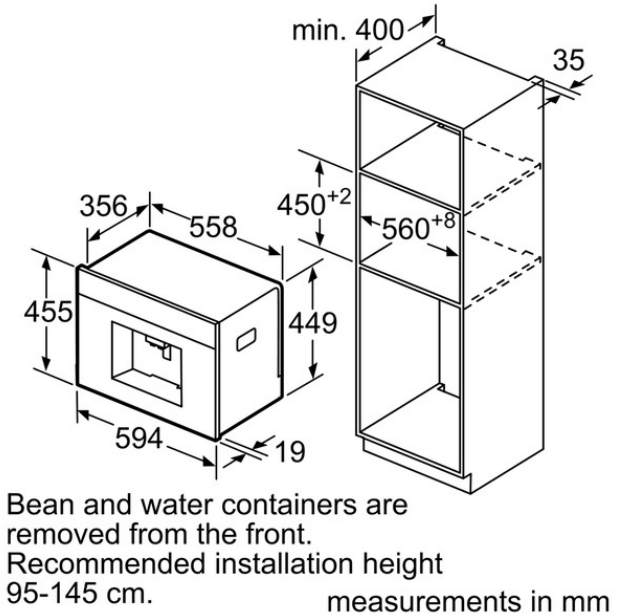
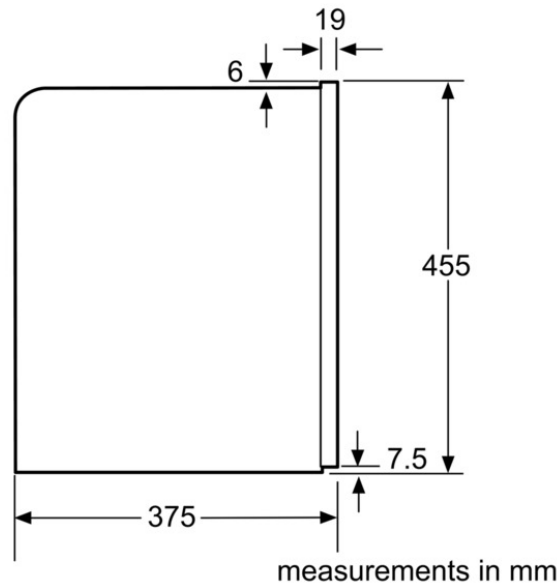
Dimensions of the product (mm) : 455 x 594 x 375  
 Net weight (lbs) : 43  
 Net weight (kg) : 19.42  
 Gross weight (lbs) : 49  
 Gross weight (kg) : 22.40  
 Capacity water container : 2.4

#### Alternative colors available



# BOSCH

**CTL636ES1**  
Fully-automatic coffee maker  
stainless steel



Left corner installation

