



ESC001

ENERMAX M.2 2280 NVMe SSD Heatsink

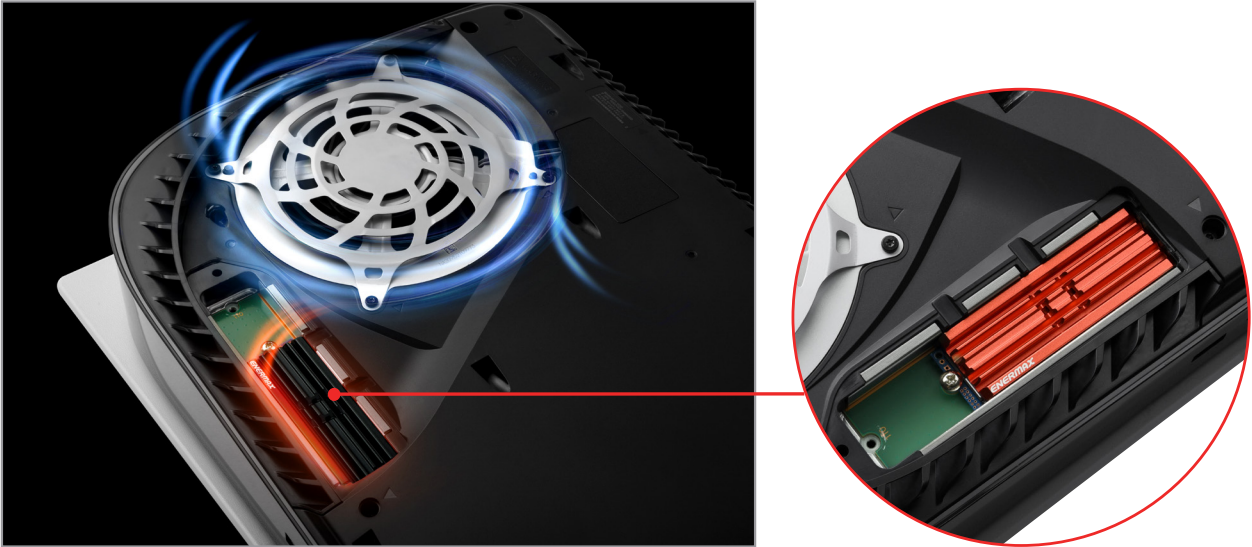
M.2 Heatsink



- Compatible with both single sided and double sided type
- Cool your M.2 2280 SSD up to 10°C to improve your system's performance
- Groove design increasing the heat dissipation area to cool your M.2 2280 SSD efficiently

Features

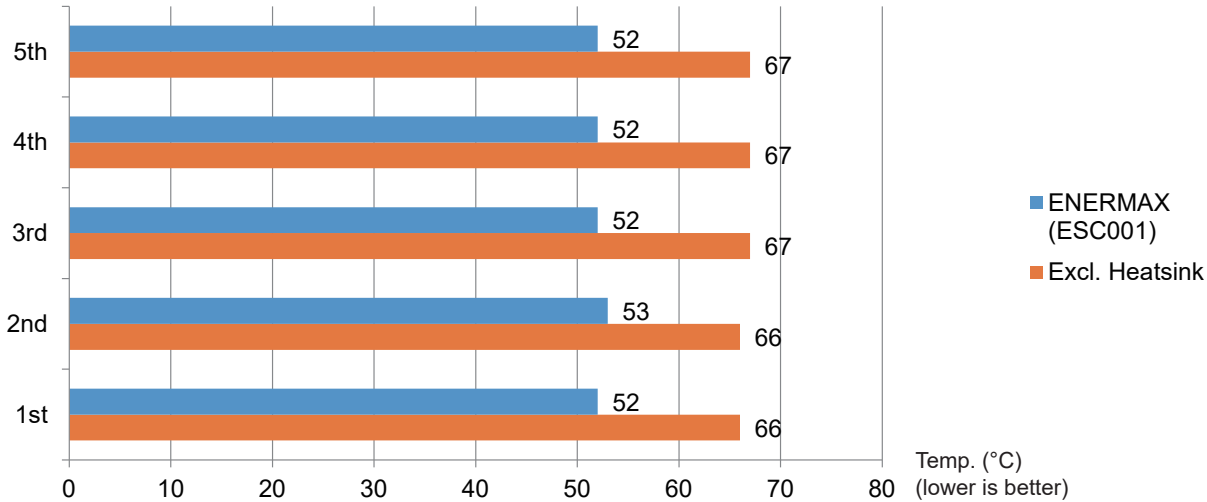
Compatible with PlayStation®5 installation



Cool your M.2 2280 SSD up to 10°C to improve your system's performance

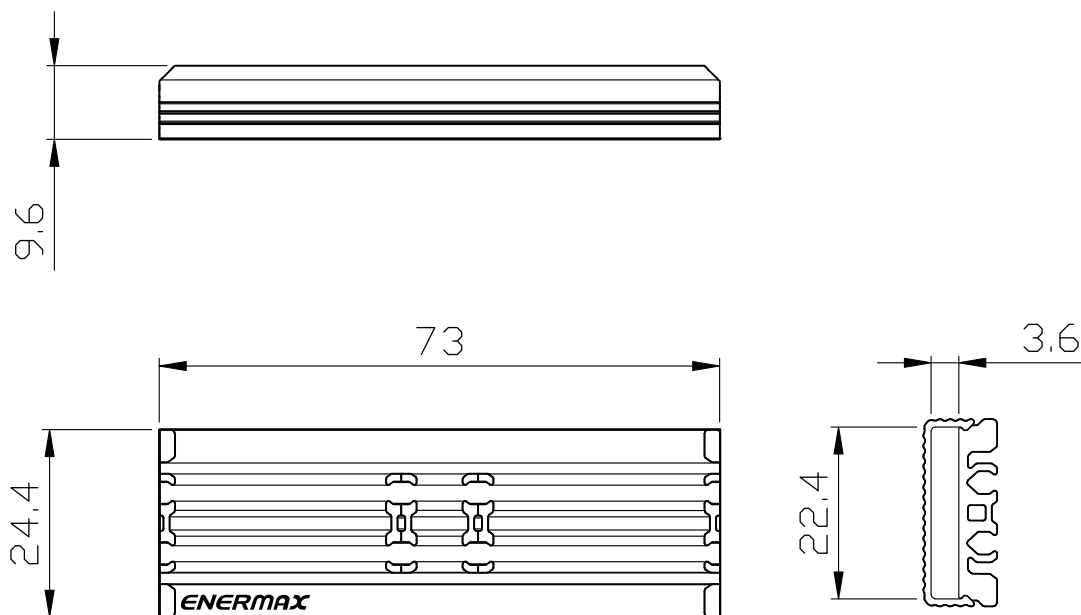
SSD Read & Write Testing

R/W times



Dimension

unit : mm



Specifications

Model	ESC001-BK	ESC001-R
Width	24.4mm	
Length	73.0mm	
Thickness	9.6mm (incl. Heatsink, Thermal pad, M.2)	
Material	Aluminum	
Module Compatibility	M.2 2280	
Compatibility	Single / Double side M.2 NVMe SSD	
Shipping Information		
Model	ESC001-BK	ESC001-R
Bar code	EAN	4713157726315
	UPC	819315026311
Blister dimension		60 (L) x 15 (W) x 120 (H) mm
Gross Weight / unit		50 g
Carton dimension		345 (L) x 260 (W) x 200 (H) mm
Q'ty / carton		120 pcs
Gross Weight / carton		5.3 kg