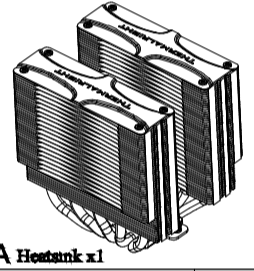
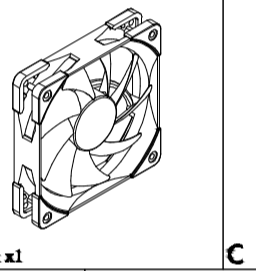
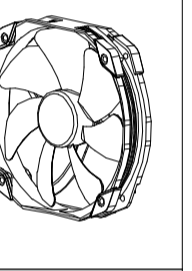
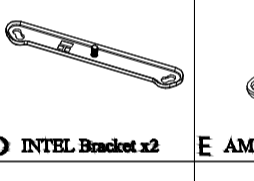
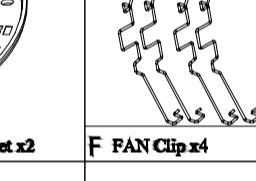


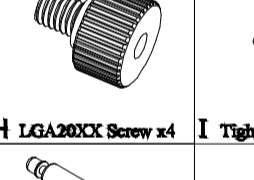
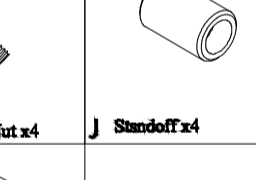
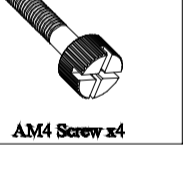
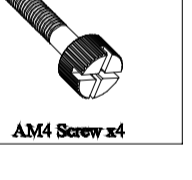





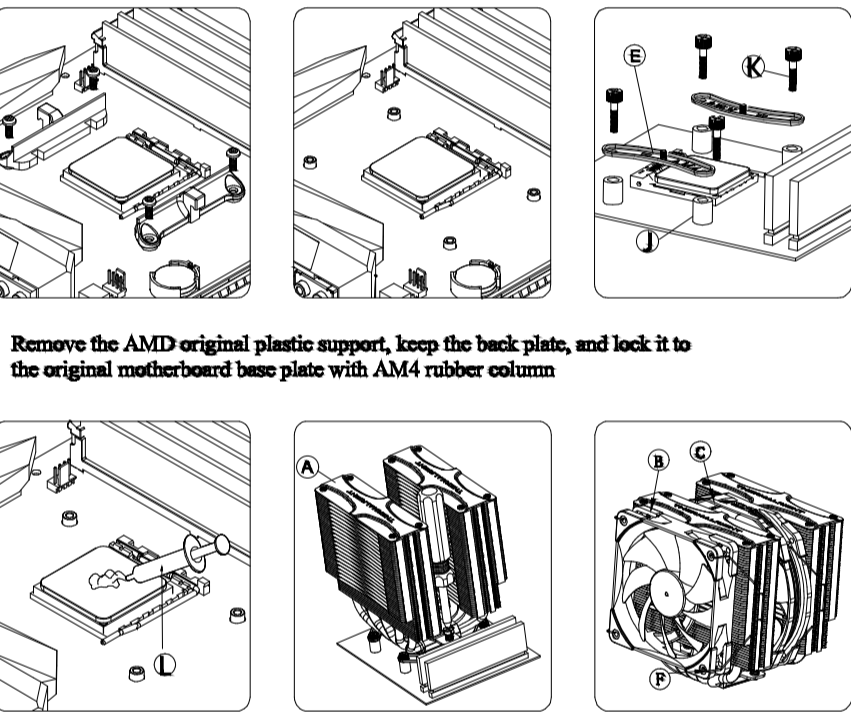
INSTALLATION GUIDE
TR-Frost Commander 140
Series

www.thermalright.com

parts list

 A HeatSink x1	 B Fan x1	 C Pin x1
 D INTEL Bracket x2	 E AMD Bracket x2	 F FAN Clip x4
 G double-screw bolt x4	 H LGA20XX Screw x4	 I Tightening Nut x4
 J Standoff x4	 K AMD Screw x4	 L Thermal Grease x1
 M LGA115X BACKPLATE x1	 N Yawel pins x4	

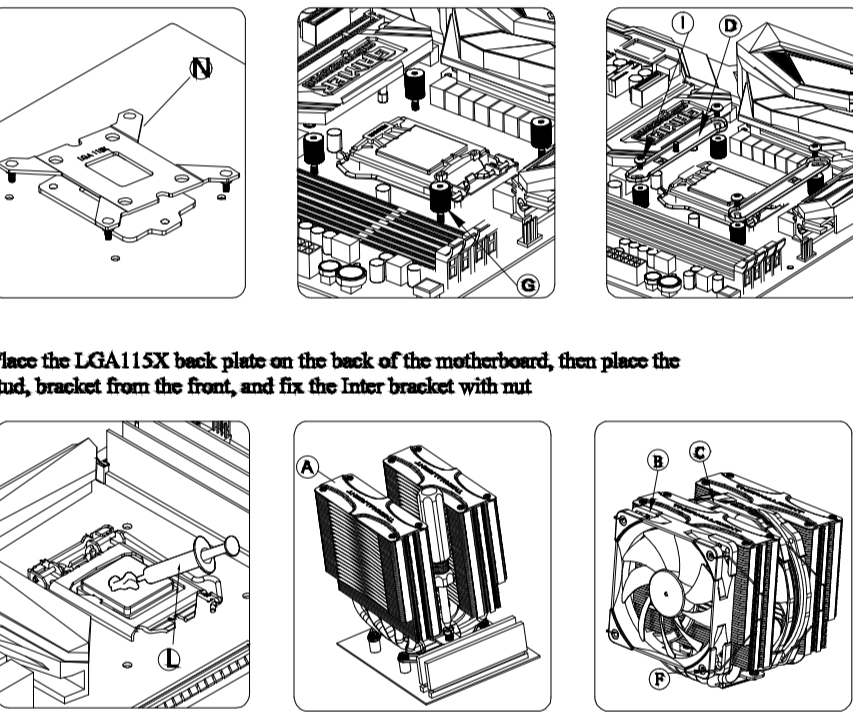
AMD AM4



Remove the AMD original plastic support, keep the back plate, and lock it to the original motherboard base plate with AM4 rubber column

Apply the hot paste, lock the main body with a screwdriver, and fix the fan with a fan wire (note: distinguish between front and rear hooks).

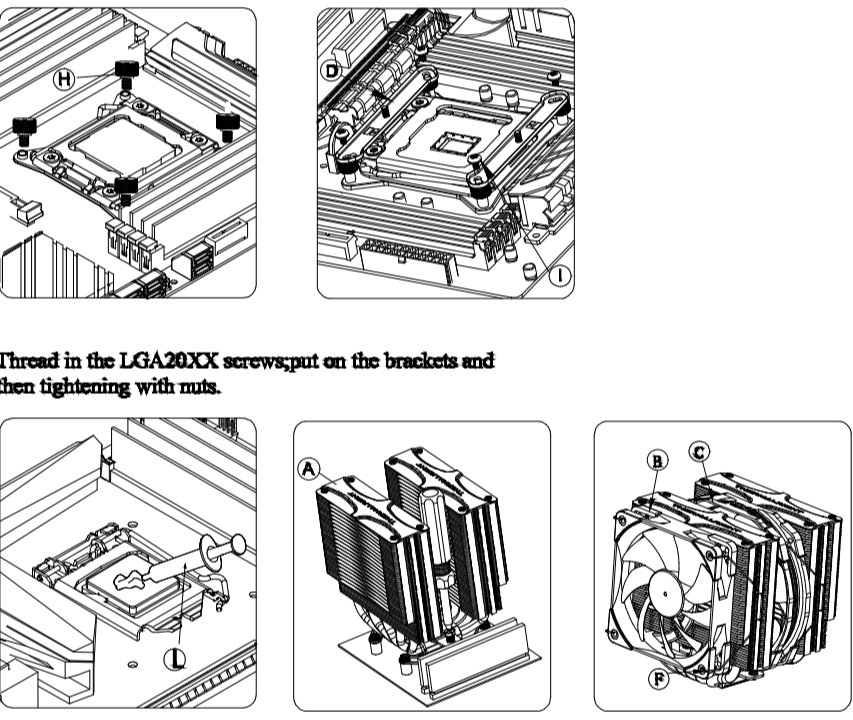
INTEL LGA115X



Place the LGA115X back plate on the back of the motherboard, then place the stud, bracket from the front, and fix the later bracket with nut

Apply the hot paste, lock the main body with a screwdriver, and fix the fan with a fan wire (note: distinguish between front and rear hooks).

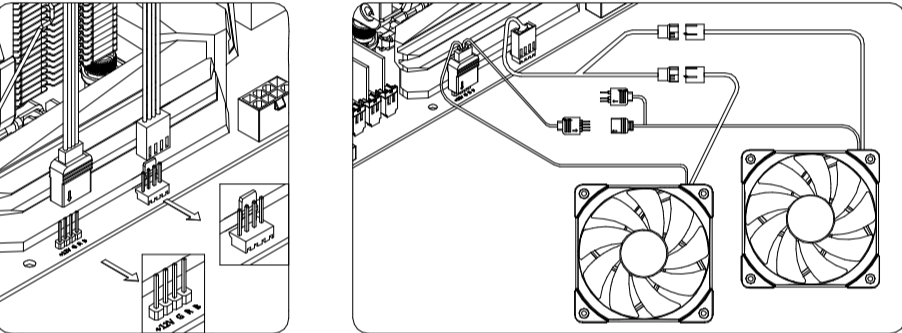
INTEL LGA20XX



Thread in the LGA20XX screws, put on the brackets and then tightening with nuts.

Apply the hot paste, lock the main body with a screwdriver, and fix the fan with a fan wire (note: distinguish between front and rear hooks).

Fan wiring



Insert the 4-pin PWM connector of the FAN into the CPU FAN socket of the motherboard. For double fans, please use Y-type connector.

