



23" monitor with IPS panel for your home and office

ProLite X2380HS is a 23" LED backlit LCD Screen featuring IPS Panel technology which is considered to be the best all round panel type. It offers accurate and consistent colour reproduction with wide viewing angles (178°/178°) and great response time (5 ms black-to-black). The ProLite X2380HS is full HD, has a >5mIn:1 Advanced Contrast Ratio and 250 cd/m<sup>2</sup> brightness offering the user a clear and vivid image. An array of inputs including HDMI, DVI and VGA connections ensure compatibility across a range of devices including games consoles and work stations. The X2380HS also has the two integrated speakers and is VESA mountable. It will provide excellent performance for photographic design, web design, standard office use and in multi-monitor environment.



IPS

IPS technology offers higher contrast, darker blacks and much better viewing angles than standard TN technology. The screen will look good no matter what angle you look at it.



OVERDRIVE ON / OFF

When very fast graphics are displayed your monitor can sometimes get blurry. Turning on the OverDrive feature will eliminate that.

## 1. DISPLAY CHARACTERISTICS

|                    |                                                                             |
|--------------------|-----------------------------------------------------------------------------|
| DIAGONAL           | 23"; 58.4cm                                                                 |
| ASPECT RATIO       | 16 : 9                                                                      |
| PANEL              | IPS LED, matte finish                                                       |
| NATIVE RESOLUTION  | Full HD 1080p, 1920 x 1080 ( 2.1 megapixel)                                 |
| BRIGHTNESS         | 250 cd/m <sup>2</sup> typical                                               |
| CONTRAST           | 1000 : 1 typical                                                            |
| CONTRAST           | 5 000 000 : 1 ACR                                                           |
| RESPONSE TIME      | 5 ms                                                                        |
| VIEWING ZONE       | horizontal/vertical: 178° / 178°; right/left: 89° / 89°; up/down: 89° / 89° |
| DISPLAY COLOUR     | 16.7 million                                                                |
| BLUE LIGHT REDUCER | yes                                                                         |
| DISPLAY AREA H X W | 286.41 x 509.18 mm; 11.3" x 20"                                             |
| PIXEL PITCH H X V  | 0.2652 x 0.2652 mm                                                          |
| HORIZONTAL SYNC    | 24 - 80 KHz                                                                 |
| VERTICAL SYNC      | 55 - 75 Hz                                                                  |
| SYNCHRONIZATION    | Separate sync                                                               |

## 2. INTERFACES & CONNECTORS

|                         |             |
|-------------------------|-------------|
| ANALOG INPUT CONNECTOR  | VGA (D-Sub) |
| DIGITAL INPUT CONNECTOR | DVI-D, HDMI |
| HDCP                    | yes;        |

## 3. FEATURES

|                   |                                                                                                                                                                                                                                                                                                                  |
|-------------------|------------------------------------------------------------------------------------------------------------------------------------------------------------------------------------------------------------------------------------------------------------------------------------------------------------------|
| APPLE - MAC       | All iiyama monitors are compatible with Apple-Macintosh computers.                                                                                                                                                                                                                                               |
| PLUG & PLAY       | VESA DDC2B™                                                                                                                                                                                                                                                                                                      |
| CONTROLS          | Via OSD in 9 languages (EN, DE, FR, ES, IT, PT, Chinese, RU, JP) and 5 front controls (Power, Menu, +/- Volume, -/ ECO, Auto)                                                                                                                                                                                    |
| USER CONTROLS     | luminance (contrast, brightness, ECO, i-style Colour, ACR), image steep (clock, phase, H. position, V. position, aspect), colour (gamma, colour temperature, sRGB), OSD setup (H. position, V. position, OSD time out, language), extra (reset, signal select, HDMI audio, OD, information), volume, auto adjust |
| SPEAKERS          | 2 x 2 W (Stereo)                                                                                                                                                                                                                                                                                                 |
| ANTI-THEFT-DEVICE | Kensington-lock™ prepared                                                                                                                                                                                                                                                                                        |
| CERTIFICATES      | CE, TUV-GS, VCCI-B, CU, TCO 6                                                                                                                                                                                                                                                                                    |
| TILT ANGLE        | 22° up; 5° down                                                                                                                                                                                                                                                                                                  |
| VESA MOUNTING     | 100 x 100 mm                                                                                                                                                                                                                                                                                                     |
| COLOUR            | Black                                                                                                                                                                                                                                                                                                            |

## 4. ACCESSORIES

## INCLUDED ACCESSORIES

power cable, DVI-D cable, audio cable, stand, cable holder, quick start guide, safety guide

## 5. POWER MANAGEMENT

|                   |                                                   |
|-------------------|---------------------------------------------------|
| POWER SUPPLY      | AC100~240V 50/60Hz                                |
| POWER SUPPLY UNIT | internal                                          |
| POWER USAGE       | 26 W typical; max. 0.5 W in Power management mode |
| POWER MANAGEMENT  | VESA DPMS                                         |

## 6. EU ENERGY EFFICIENCY LABEL

|                           |                             |
|---------------------------|-----------------------------|
| ENERGY EFFICIENCY CLASS   | B                           |
| ON MODE POWER CONSUMPTION | 23.6W                       |
| ANNUAL ENERGY CONSUMPTION | 35 kWh/annum*               |
| VISIBLE SCREEN DIAGONAL   | 58 cm; 23"; ( 23" segment ) |

*This is information under Regulation (EU) No 1062/2010.*

*\*Based on the power consumption of the television operating 4 hours per day for 365 days. The actual energy consumption will depend on how the television is used.*

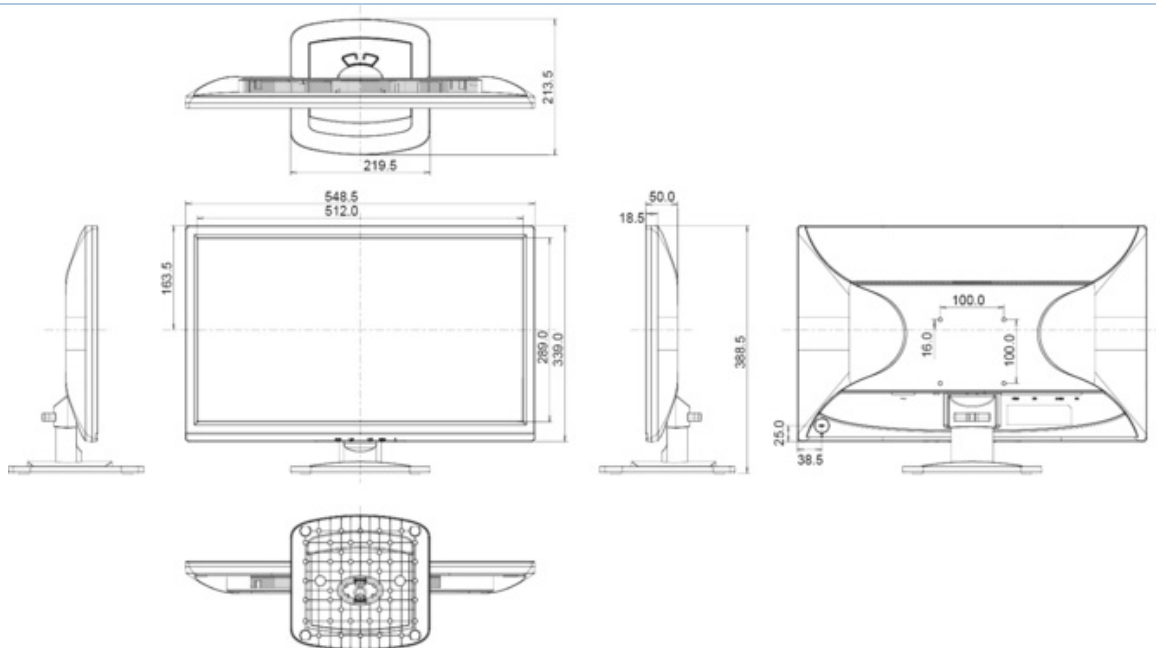
## 7. EPEAT SILVER

EPEAT

EPEAT is a comprehensive environmental rating that helps identify greener computers and other electronic equipment. The Silver certification means the monitor meets all required criteria plus at least 50% of the optional requirements. EPEAT Silver is valid in countries where iiyama registers the product. Please visit [www.epeat.net](http://www.epeat.net) for the registration status in your country.

## 8. DIMENSIONS & WEIGHT

|                      |                          |
|----------------------|--------------------------|
| DIMENSIONS W X H X D | 548.5 x 388.5 x 213.5 mm |
| WEIGHT               | 4 kg                     |



*All trademarks and registered trademarks acknowledged. E & O E. Specification subject to change without notice. All LCD's comply with ISO-9241-307:2008 in connection with pixel defects.*

