



BIFENIX®

ENSO

Quick Installation Guide

Package Content:

⊖ *ENSO Case*

⊖ *ENSO Quick Installation Guide*

⊖ *Accessory Box*

■ 3x Motherboard standoff-M3 #6-32 L3mm

■ 8x 3.5'HDD screw-6#-32*5BM

■ 4x HDD tray fasten screw-#6-32*L12MM

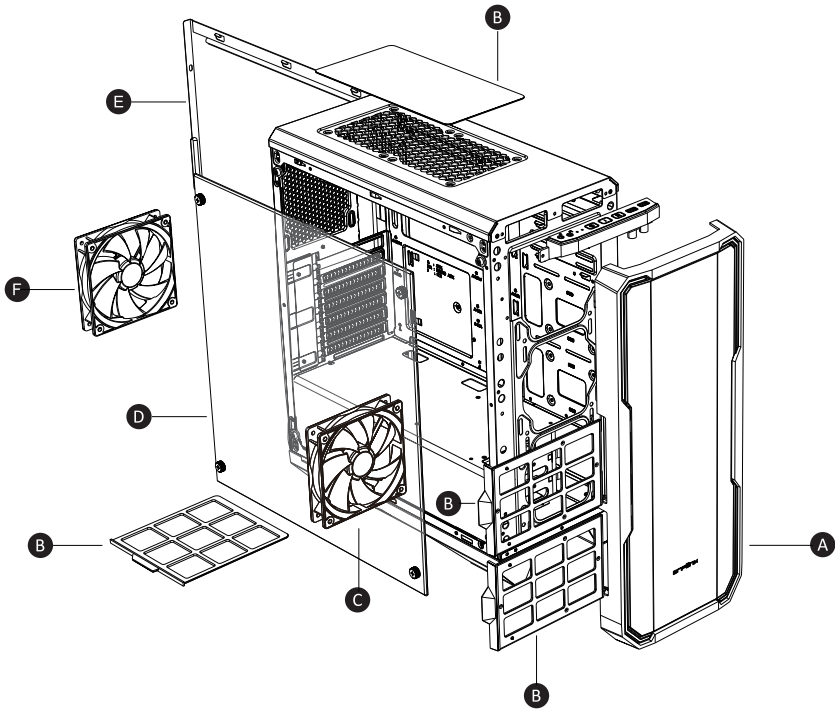
■ 6x PSU Screw Hex-#6-32*5*7.5

■ 22x Motherboard Standard Screw- PWM M3*5*7.5

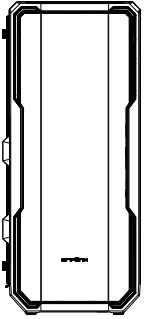
■ 6x Cable tie- 2.5mm x 150mm

■ 1x Speaker

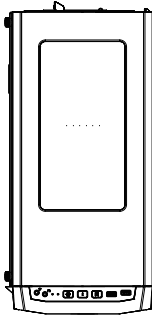
■ 1x Tempered Glass Standard Thumbscrews-#6-32*10



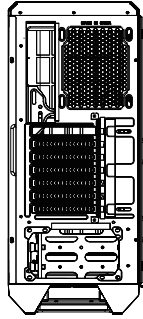
- A** Front Panel
- B** Dust Filter
- C** Fan (120mm)
- D** Tempered Glass Side Panel
- E** Side Panel
- F** Static RGB LED Fan



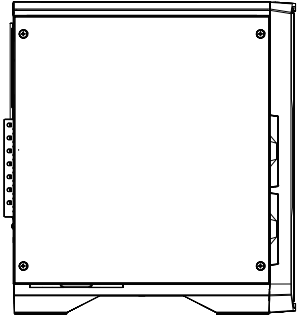
Front



Top



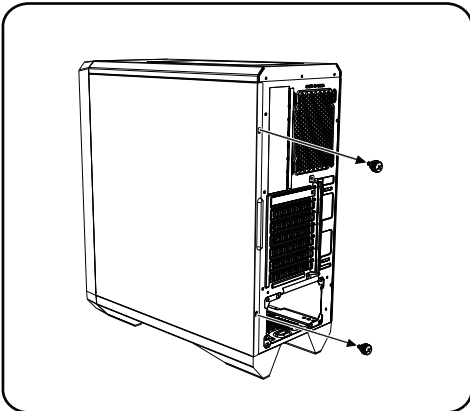
Back



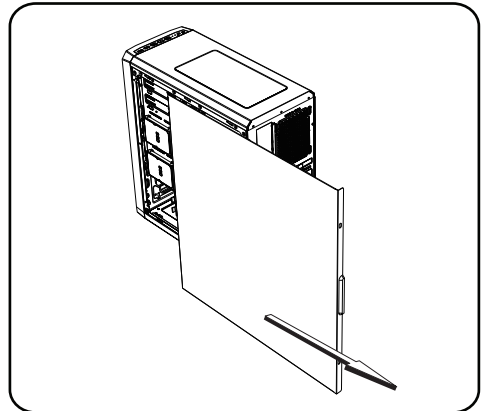
Side

Basic Installation

How to remove the right side panel

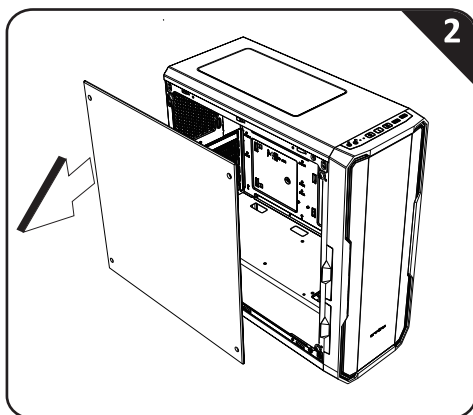
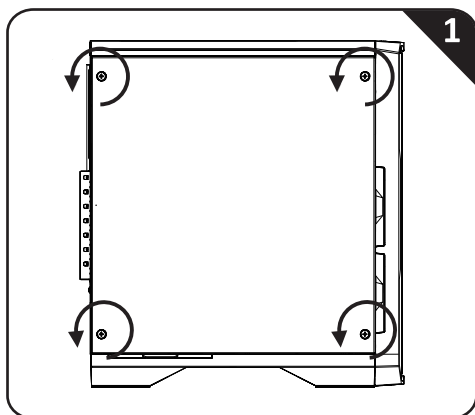


Remove both thumb screws

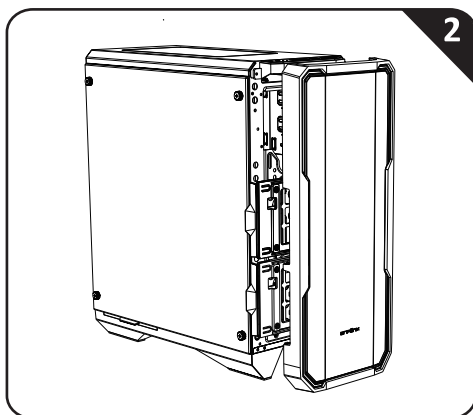
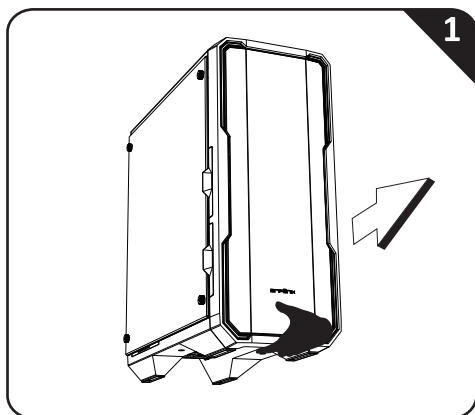


Slide the side panels towards the back of the case

How to remove the tempered glass side panel



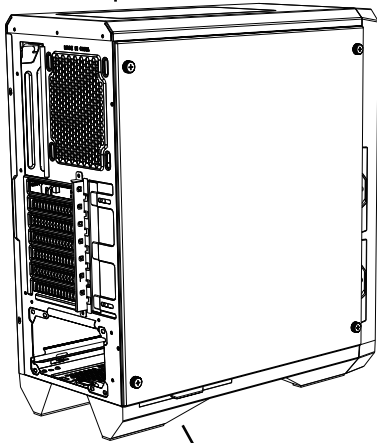
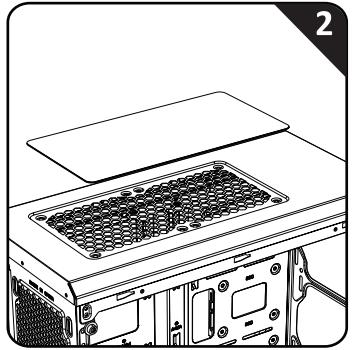
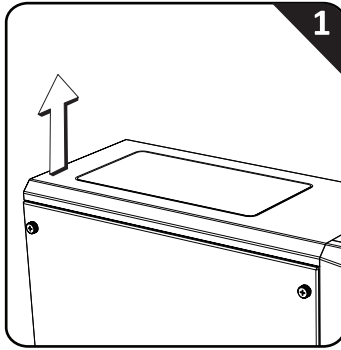
How to remove the front panel



How to remove the dust filters

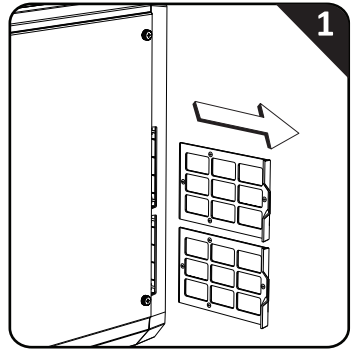
Top Filter

Pull off the magnetic dust filter



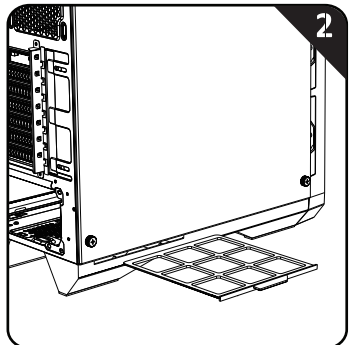
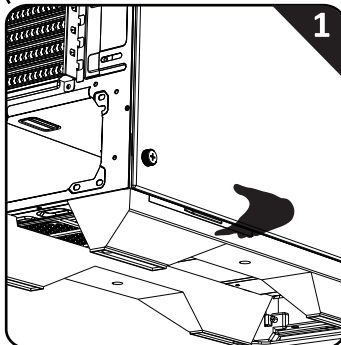
Front Filter

Pull out the front filters from the side of the front panel

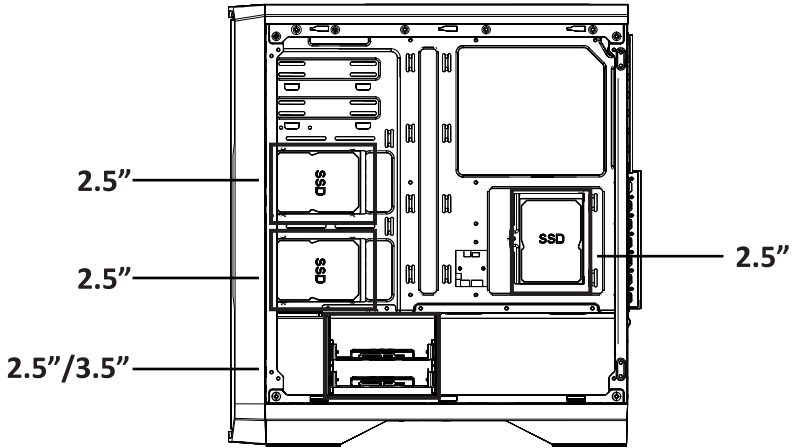


PSU Filter

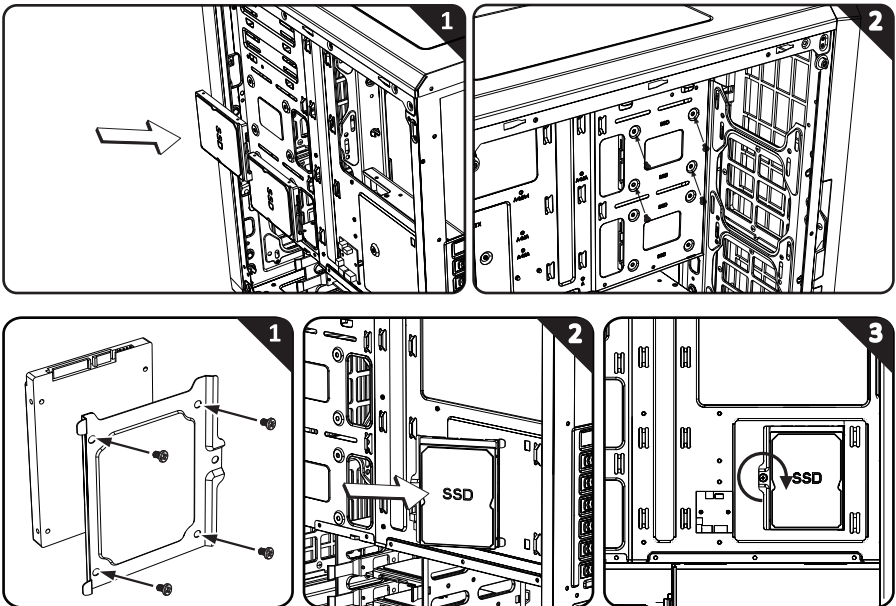
Pull out the PSU filter from the side of the feet



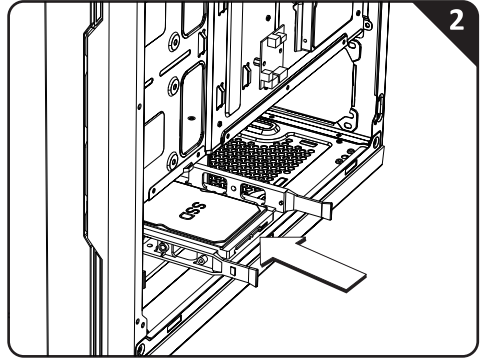
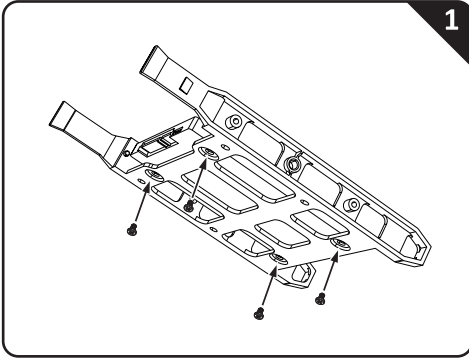
Drive Locations



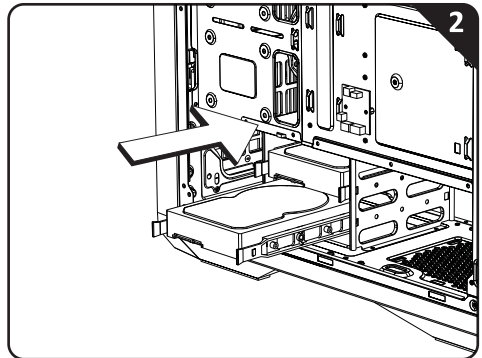
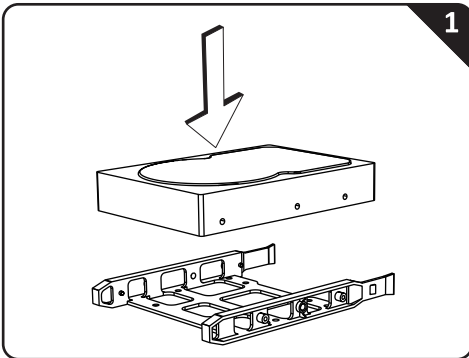
Installing 2.5" Drives



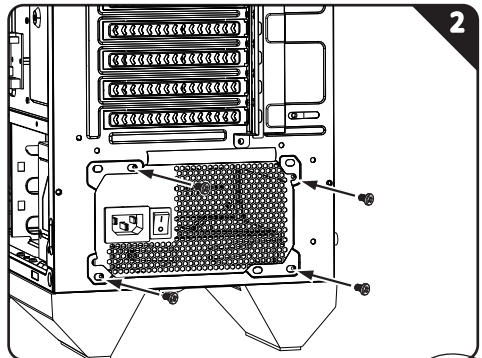
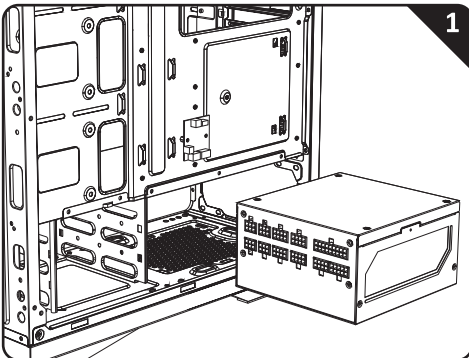
Installing 2.5" Drives



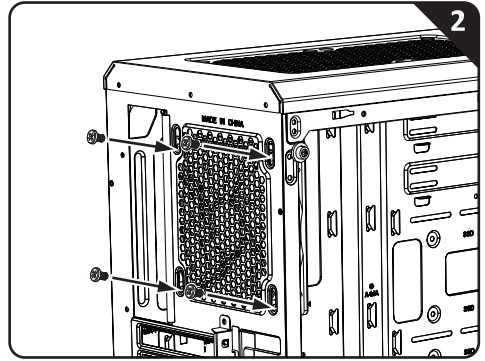
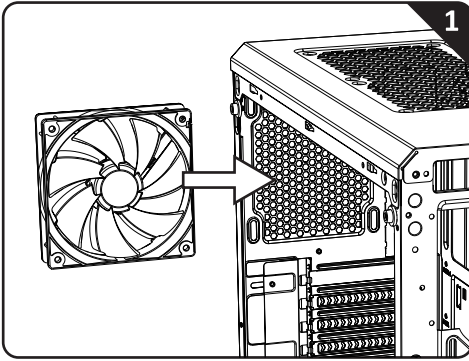
Installing 3.5" Drives



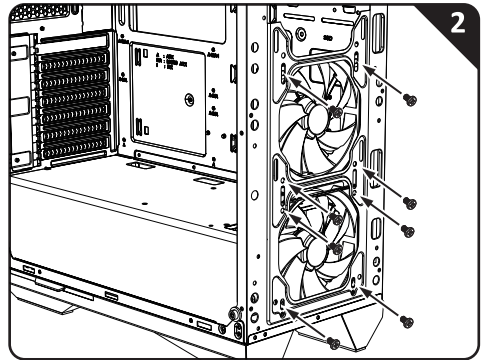
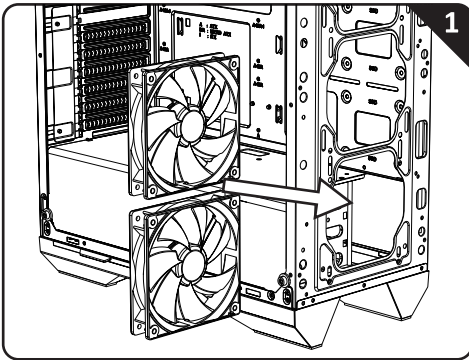
PSU Installation



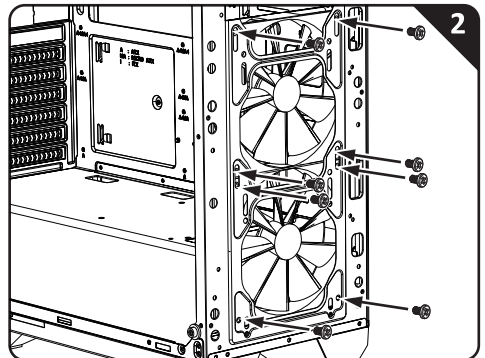
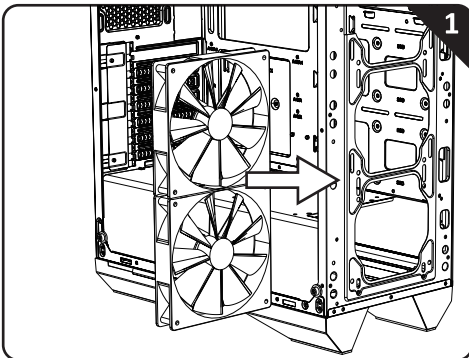
Back Fan Installation (120mm)



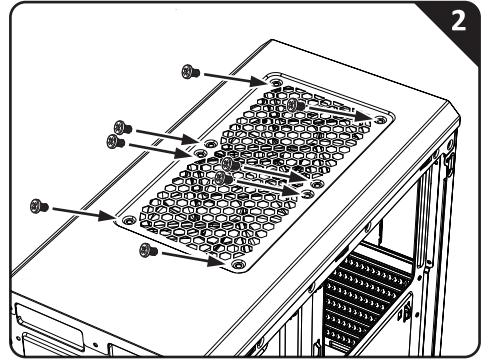
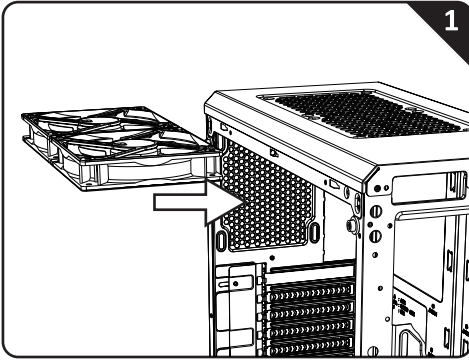
Front Fan Installation (120mm)



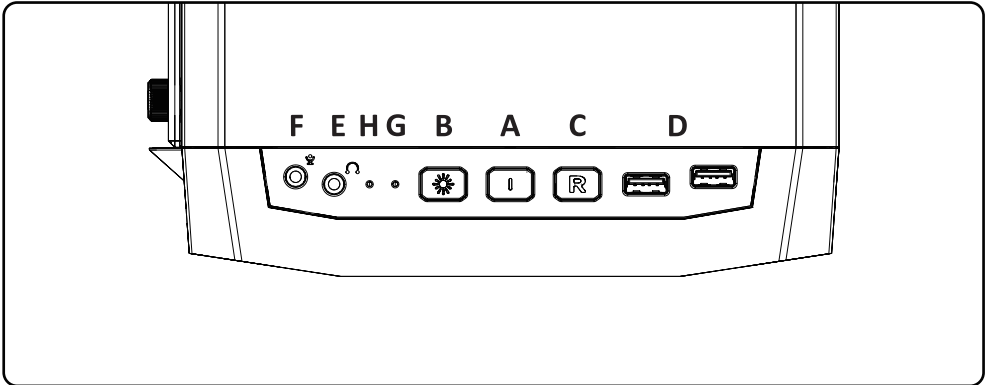
Front Fan Installation (140mm)



Top Fan Installation (120mm)



Control Panel



A. Power Button

E. Headphone Jack

B. LED Control Button

F. Microphone Jack

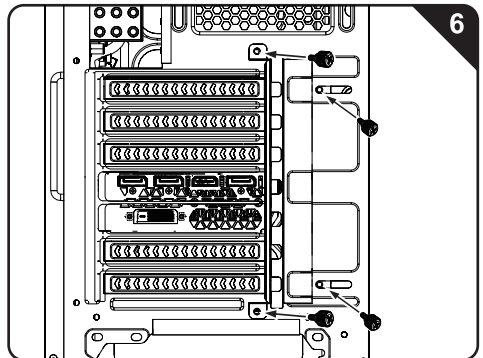
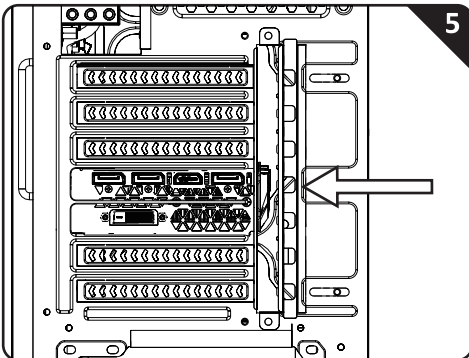
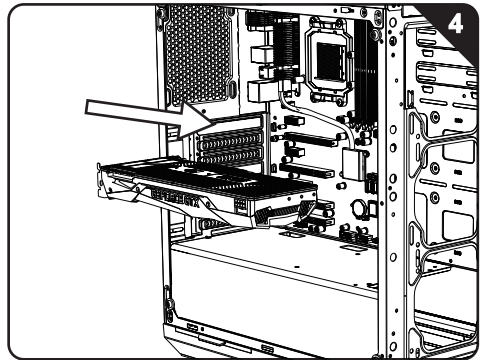
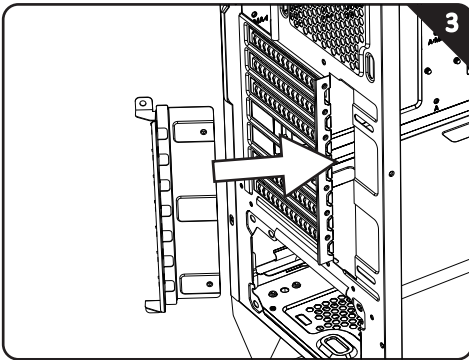
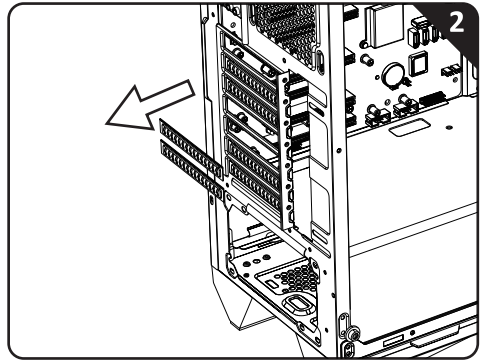
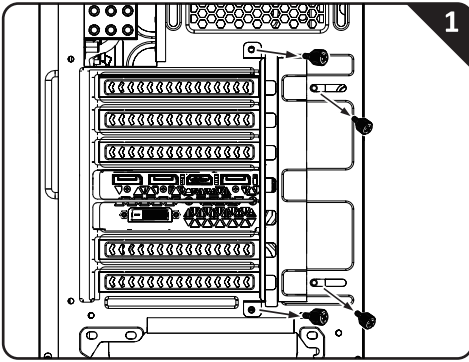
C. Reset Button

G. HDD LED

D. USB3.0 Port

H. Power LED

PCI-E Card Installation



BE INVINCIBLE

WWW.BITFENIX.COM



BitFenix Co., Ltd.

3F, No.79, Sec. 1, Xintai 5th Rd.,

BITFENIX Xi Zhi District, New Taipei City, Taiwan, R.O.C.

© 2017 BITFENIX Co., Ltd. All Rights Reserved. All trademarks are registered to their respective owners

For the most updated information, please visit our official website : <http://www.bitfenix.com> Ver 1.0 | 2017/09