



Combination SCHUKO[®] socket outlet, with rocker switch 1gang 2way

Functions at a glance

- For vertical installation.
- 2 P + E,
- Rated voltage: 250 V~
- Rated current: 16 A
- Rated current: 10 AX
- Protection class (device): IP 44
- Label holder 1763-53.
- Label holder of the switch illuminable with illumination insert 2152 NLI-53.
- For compatible lettering software, visit www.BUSCH-JAEGER-labelingtool.com.
- Terminals of the socket outlet suitable for loop connection in accordance with VDE 0620-1.
- Instead of the SCHUKO[®] socket outlets, switches, push-switches, light signals, or SCHUKO[®]-socket outlets with locks can be used.

Order details

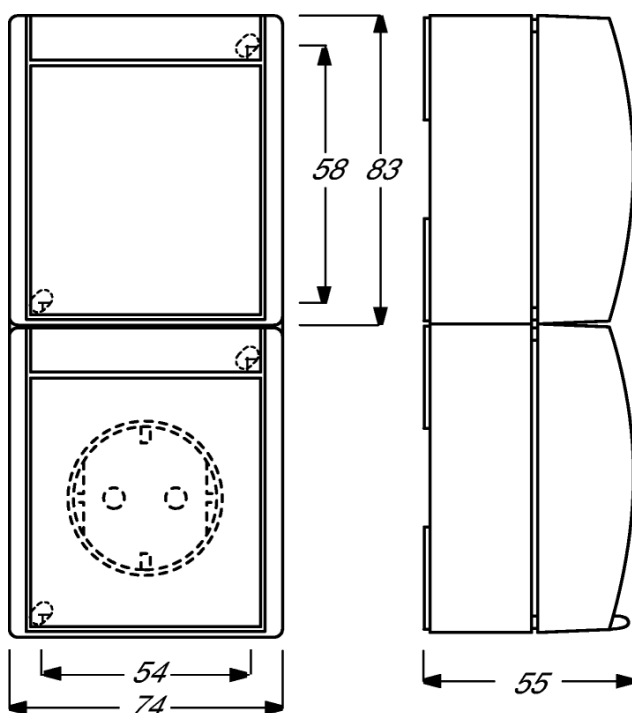
Article No.:	2601/6/20 EW-53
Order No.:	2CKA001684A0316
EAN:	4011395992913
Customs tariff number:	85365080
Preisgruppe:	13
Preis:	30,22 EUR plus VAT
Info sheet:	» Download PDF

Downloads

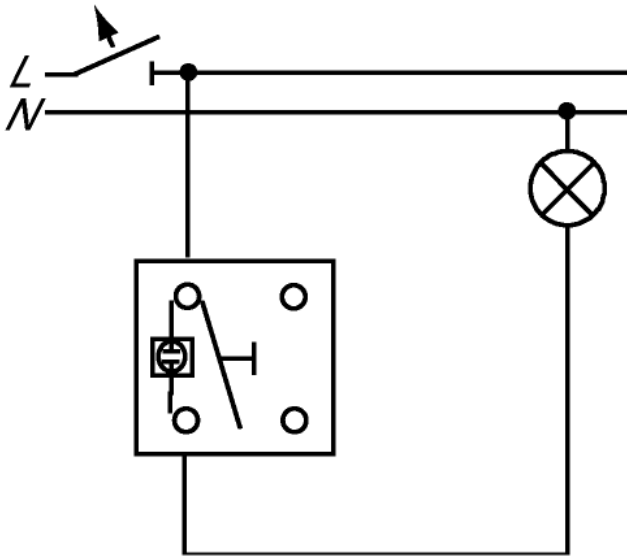
Certificates

- » [EU-declaration of conformity](#)
- » [ROHS product declaration](#)

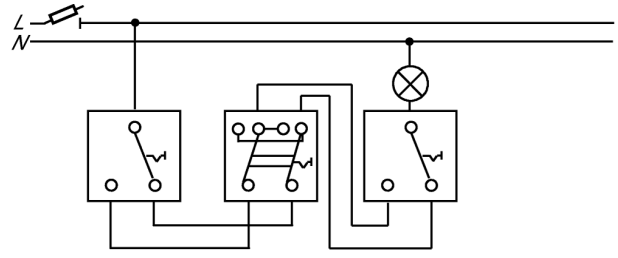
Dimensions



Wiring diagram



1gang 1way SP



1gang 2way with 1gang intermediate and 1gang 2way