

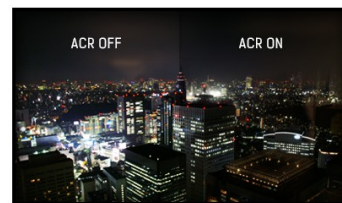


The ProLite E2280WSD is a 22" 1680x1050 LED-backlit monitor. It features 5msec black-to-black response time and 5 000 000 : 1 Advanced Contrast Ratio assuring very good picture quality. Analogue and DVI inputs ensure compatibility with the latest systems and associated graphics cards. The monitor is TCO and Energy Star Certified. A reliable solution for both home and office use.



### LED-BACKLIT

A typical CCFL LCD uses four backlight lamps. Using LED diodes considerably lowers the power consumption and reduces the CO2 emission into the environment making this LCD a true ECO-Friendly product.



### ACR

Contrast Ratio is a measurement of the difference between the darkest black and the brightest white your monitor can display. Advanced Contrast Ratio is a feature that automatically adjusts contrast and brightness of the screen to assure perfect picture quality while watching films and playing games.

## 1. DISPLAY CHARACTERISTICS

DIAGONAL	22"; 56cm
ASPECT RATIO	16 : 10

PANEL	TN LED, matte finish
NATIVE RESOLUTION	1680 x 1050 ( 1.8 megapixel)
BRIGHTNESS	250 cd/m <sup>2</sup> typical
CONTRAST	1000 : 1 typical
CONTRAST	12 000 000 : 1 ACR
RESPONSE TIME	5 ms
VIEWING ZONE	horizontal/vertical: 178° / 170° ; right/left: 89° / 89° ; up/down: 85° / 85°
DISPLAY COLOUR	16.7 million
DISPLAY AREA H X W	296.1 x 473.7 mm; 11.7" x 18.6"
VIEWING ZONE CR>5	horizontal/vertical: 178° / 175° ; right/left: 89° / 89° ; up/down: 90 / 85°
PIXEL PITCH H X V	0.282 x 0.282 mm
HORIZONTAL SYNC	24 - 83 KHz
VERTICAL SYNC	55 - 75 Hz
SYNCHRONIZATION	Separate Sync

## 2. INTERFACES & CONNECTORS

ANALOG INPUT CONNECTOR	VGA
DIGITAL INPUT CONNECTOR	DVI-D
HDPC	yes;

## 3. FEATURES

APPLE - MAC	All iiyama monitors are compatible with Apple-Macintosh computers.
CONTROLS	On-Screen-Display in 9 languages (EN, DE, FR, ES, IT, PT, Chinese, RU, JP) and 5 front controls (Power, Menu, +/- Volume, -/ ECO, Auto)
USER CONTROLS	luminance (contrast, brightness, ECO, i-Style Colour, Adv. Contrast), image setup (clock, phase, H. position, V. position, aspect), colour temperature (gamma, colour temperature), OSD setup (H. position, V. position, timeout, language), others (reset, signal select, information), volume, auto adjust
SPEAKERS	2 x 2 W (Stereo)
ANTI-THEFT-DEVICE	Kensington-lock™ prepared
REGULATIONS	CE, TUV-GS, TCO 6, CU
TILT ANGLE	21° up; 5° down
VESA MOUNTING	100 x 100 mm
COLOUR	Black

## 4. ACCESSORIES

INCLUDED ACCESSORIES	power cable, DVI-D cable, audio cable, stand, stand-base, cable holder, quick start guide, safety guide
----------------------	---

## 5. POWER MANAGEMENT

POWER SUPPLY	AC 100 - 240 V, 50 / 60 Hz
POWER SUPPLY UNIT	internal
POWER USAGE	21 W typical; max. 0.5 W in Power management mode
POWER MANAGEMENT	VESA DPMS, ENERGY STAR®

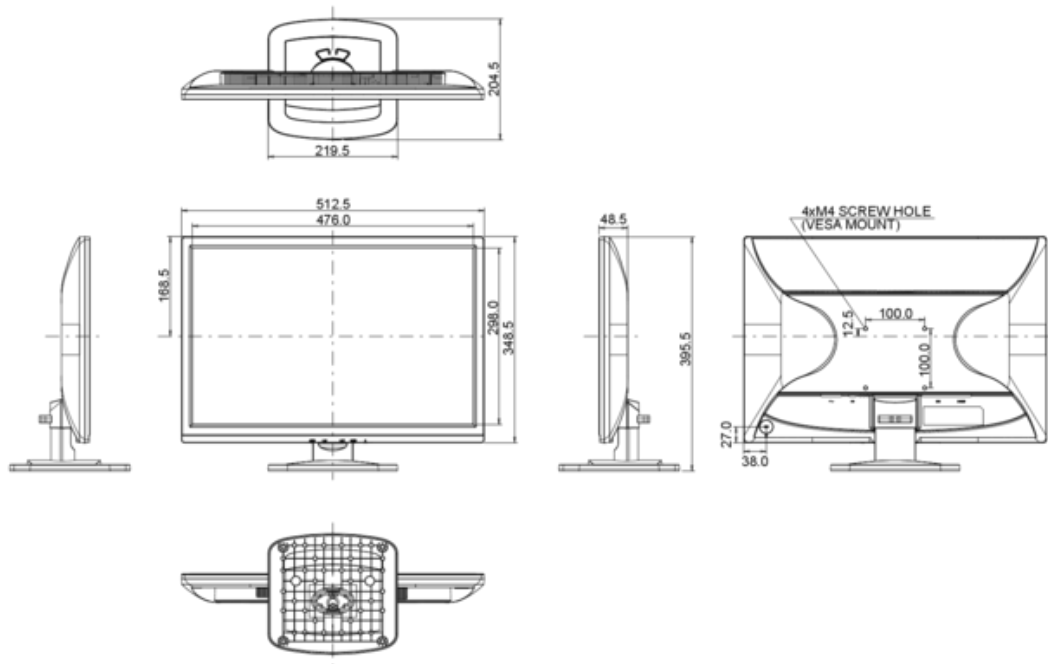
## 6. EPEAT SILVER

EPEAT

EPEAT is a comprehensive environmental rating that helps identify greener computers and other electronic equipment. The Silver certification means the monitor meets all required criteria plus at least 50% of the optional requirements. EPEAT Silver is valid in countries where iiyama registers the product. Please visit [www.epeat.net](http://www.epeat.net) for the registration status in your country.

## 7. DIMENSIONS & WEIGHT

DIMENSIONS W X H X D	512.5 x 395.5 x 204.5 mm
WEIGHT	3.6 kg



All trademarks and registered trademarks acknowledged. E & O E. Specification subject to change without notice. All LCD's comply with ISO-9241-307:2008 in connection with pixel defects.

© IIYAMA CORPORATION ( ). ALL RIGHTS RESERVED.