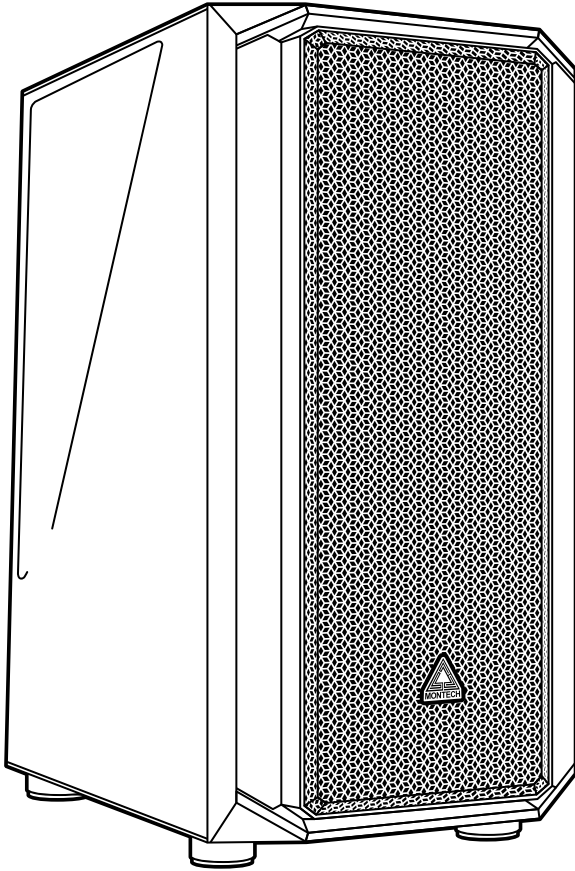
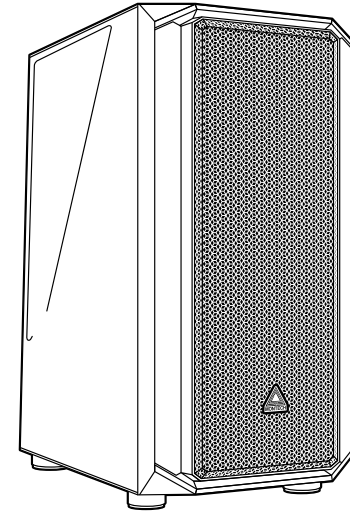




*With
Good Value!*

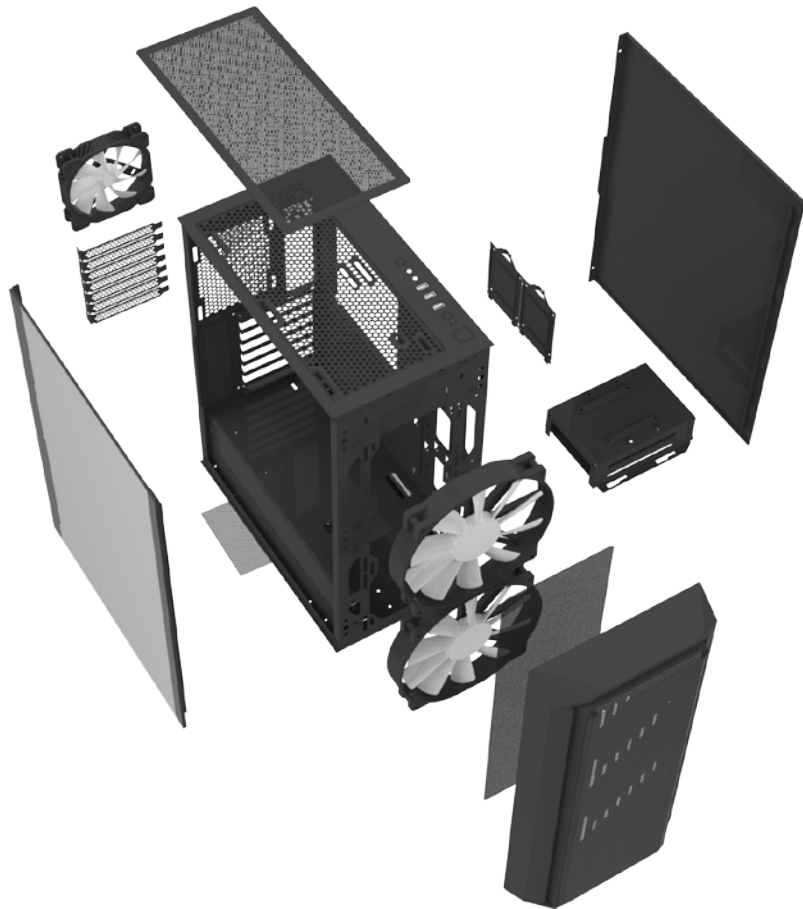


AIR X series



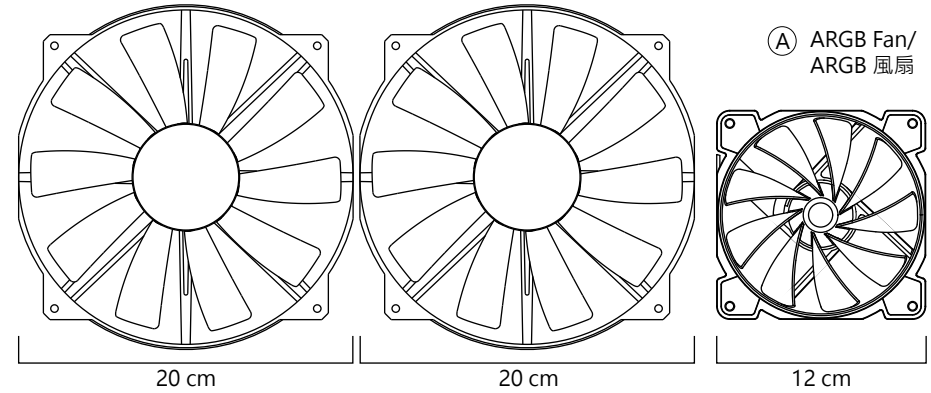
SPECIFICATIONS

Product Name/ 產品名稱		Air X ARGB
Available Color/ 顏色		Black/White
Dimensions (L*W*H)/ 尺寸		425*210*458mm
Motherboard Support/ 主板支援		ATX/Micro ATX/Mini ITX
Expansion Slots/PCI 擴充槽		7
Drive Bays/ 硬碟架	5.25"	0
	2.5"SSD	4
	3.5"HDD	2
I / O Port/I / O 介面		USB2.0*1, USB3.0*2, mic, headset, LED button
Pre-installed Fan(s)/ 預裝風扇	Front	200mm * 2 (ARGB fan)
	Rear	120mm * 1 (ARGB fan)
Fan Supportt/ 風扇支援	Front	120 /140 mm * 3 / 200mm * 2
	Rear	120mm * 1
	Top	120 / 140mm * 2
Radiator Support/ 水冷支援	Front	120 / 140 / 240 / 280 / 360mm
	Rear	120mm
	Top	240 / 280mm
Clearances/ 預留安裝空間	VGA/ 顯示卡	340mm
	CPU/ 散熱器	163mm
Dust Filters/ 防塵濾網		Front, Top, Bottom/ 前、上、下
Power Supply Support/ 電源供應器類型		Bottom mount, ATX/ 下置式 · ATX
Lighting support/ 燈光支援		

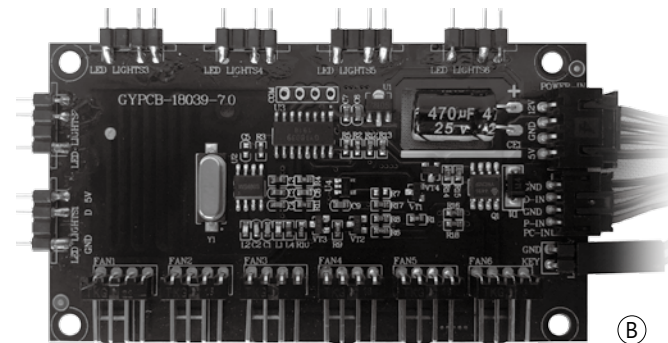


20cm ARGB FAN *2 + 12cm ARGB FAN *1 + CONTROL BOX

A	20cm ARGB Fan *2, 12cm ARGB Fan*1/20 公分 ARGB 風扇 *2,12 公分 ARGB 風扇 *1
B	Control Box- Support 6 Independent Fans / 控制板可連接 6 個風扇



Ⓐ ARGB Fan/
ARGB 風扇



Ⓑ Controller/ 控制板

ACCESSORY BAG

	Motherboard standoff tool/ 主板銅柱	主板銅柱	3		Standoff tool	桐柱套	1
	Motherboard screw	主板螺絲	9		Cable tie	束線帶	5
	Power supply screw	電源螺絲	8		Buzzer	蜂鳴器	1
	2.5" SSD disk screw	2.5" SSD 硬碟螺絲	16		3.5" HDD disk screw	3.5" HDD 硬碟螺絲	8

The ARGB fans can sync with motherboards.

Two ways to control the ARGB lighting.

1. Through the LED button on the front panel. (If you want to turn off the light, press the LED button for 6s).
2. Through motherboard (Press the LED button for 3s).

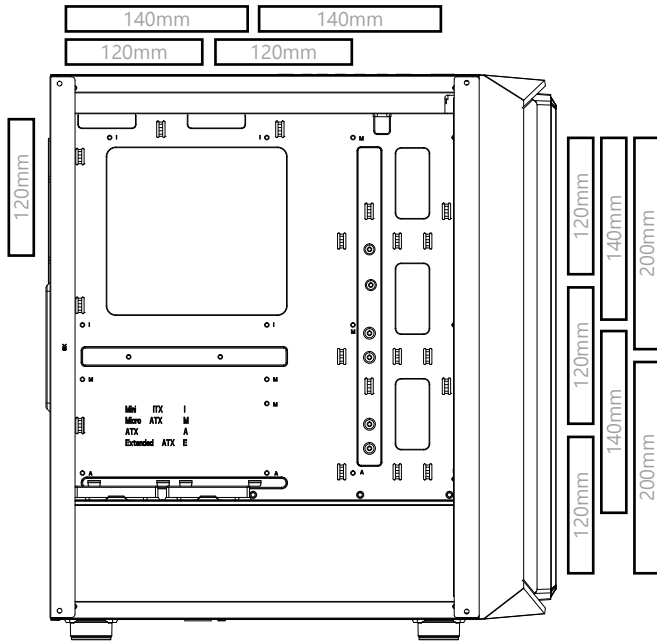
三顆風扇可以同步，也可以跟主板同步。

控制方式

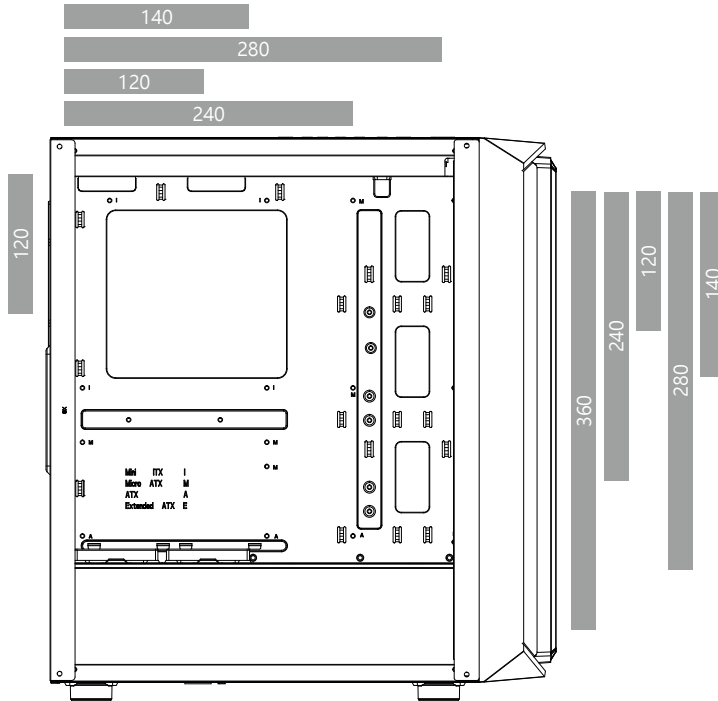
1. 透過機殼上的 LED 按鍵 (若想要將燈光關閉 · 只需長按 LED 按鍵 6 秒即可)
2. 透過主板 (長按 LED 按鍵 3 秒同步)

Caution 注意:
For motherboard sync, it can only work with 5V3PIN. It will NOT work with old motherboard 4-pin RGB or Standard RGB+12V.
若要主板同步需使用帶有 5V3PIN 的主板, 不支持 4PIN-RGB 或一般 +12V RGB

FAN & RADIATOR SUPPORT



Fan Support/ 風扇支援	
Front	120 mm *3 / 140mm *2/ 200mm *2
Rear	120mm * 1
Top	120 / 140mm * 2

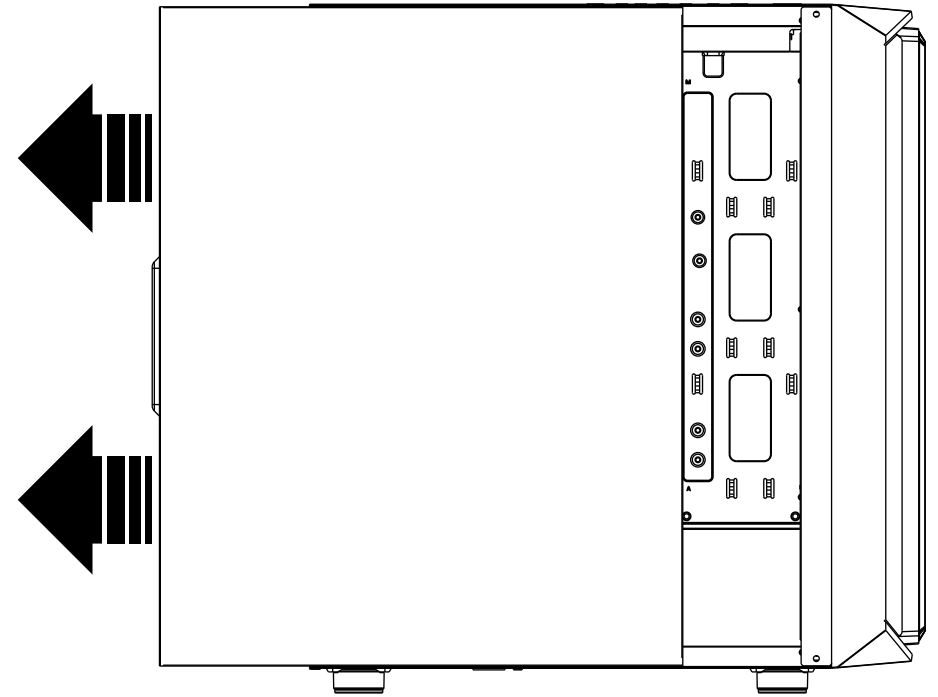


Radiator Support/ 水冷支援	
Front	120/140/240/280 /360mm
Rear	120mm
Top	120/140/240/ 280mm

REMOVING OF THE SIDE WINDOW

Lay the case down, remove the screws, and then move the glass backwards to reduce the glass breakage rate.

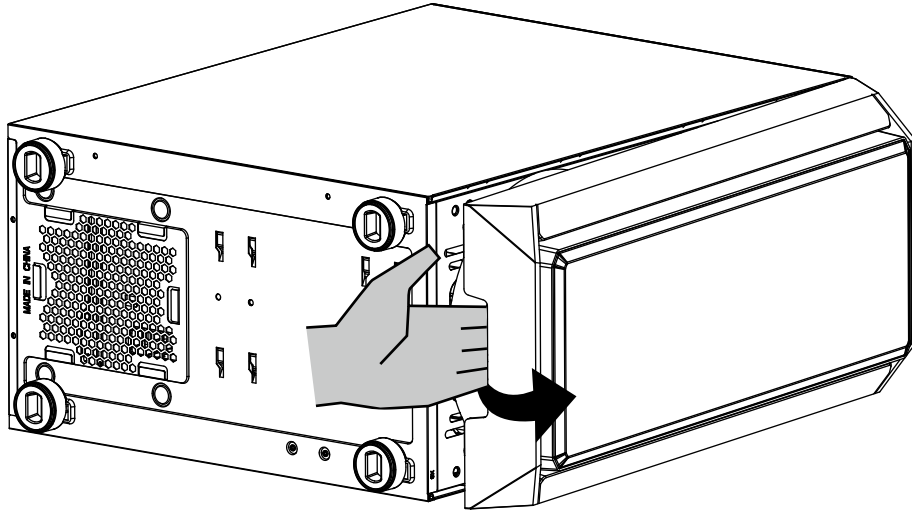
取下螺絲，然後水平往後移動卸下玻璃



REMOVING THE FRONT PANEL

1. Place the case side on the table or floor.
2. Hand into the bottom space between the front plate and the body.
3. Remove the panel by force from the case

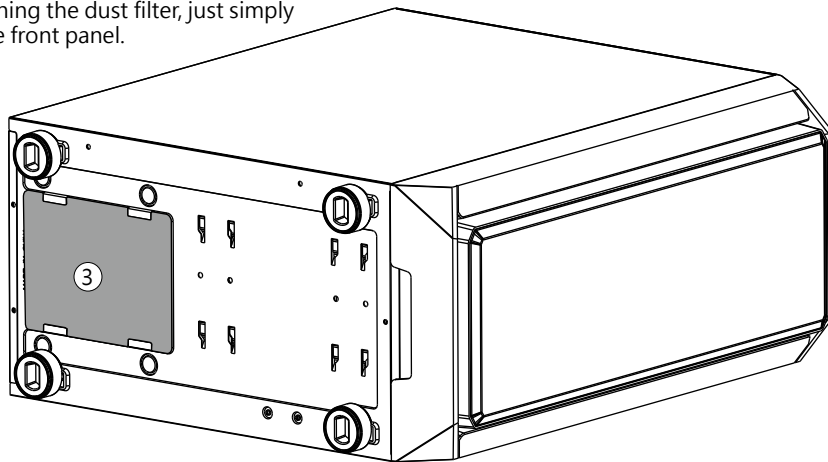
1. 先將機殼側放置桌面或地上
2. 手伸入前版和機身間的底部空隙
3. 施力將面板與機身撐開，即可卸下面板



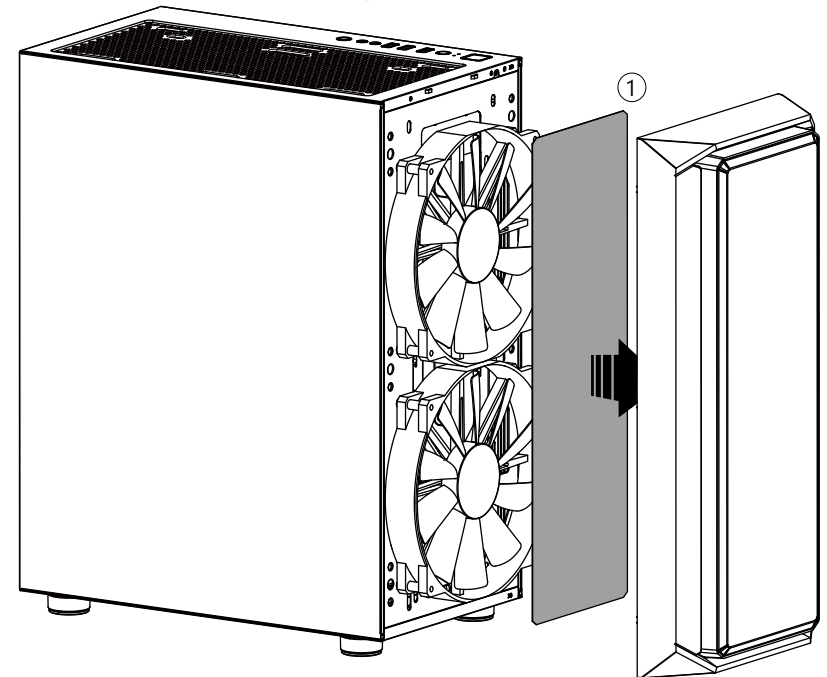
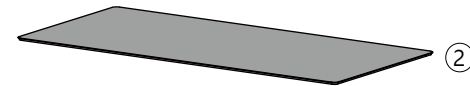
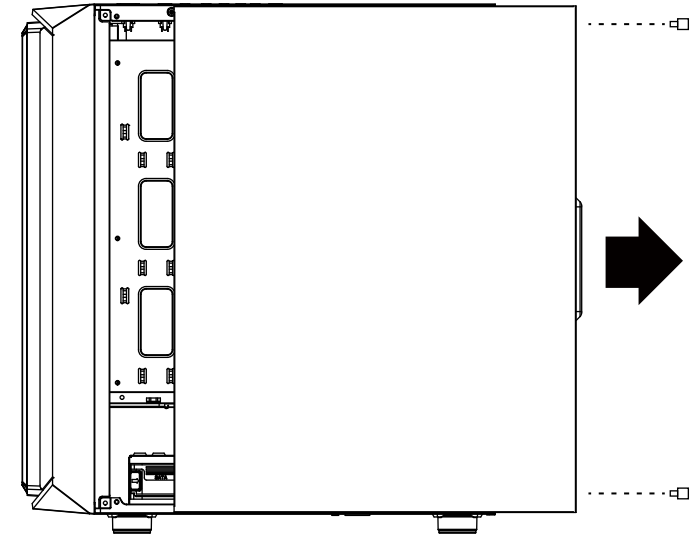
DUST FILTER

- 1 Fine mesh inside the front panel catches dusts effectively
 - 2 A magnetic dust filter on the top of the case
 - 3 A removable dust filter at bottom of the case
- When cleaning the dust filter, just simply remove the front panel.

- 1 細緻濾網 (Fine mesh) 附在面板裡
 - 2 機殼上方有一個防塵網
 - 3 機殼下方有一個防塵網
- 清洗時只需把面板拆開直接清洗面板即可

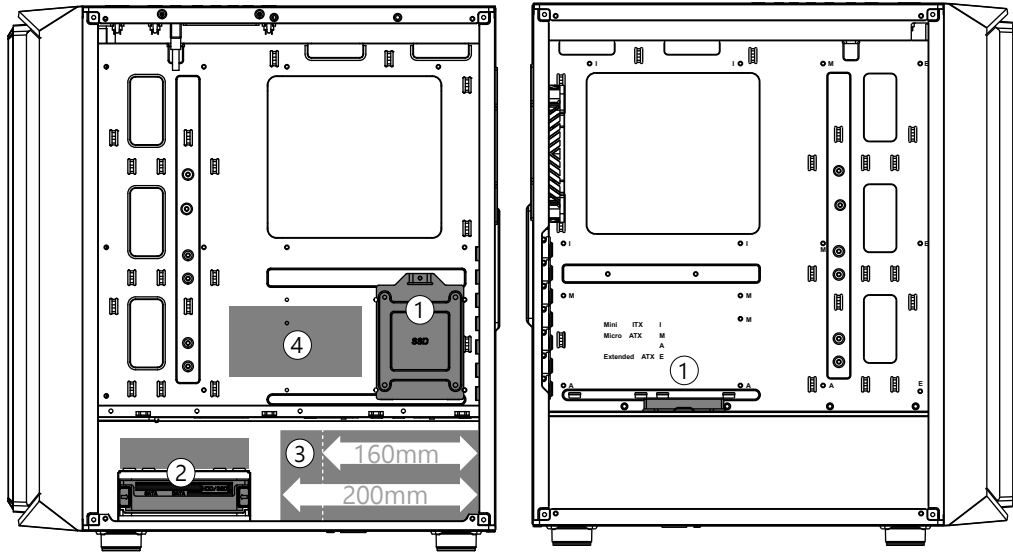


REMOVING THE SIDE PANEL



INSTALLATION OF SSD ON THE PANEL AND BRACKET / HDD CAGE POSITION & POWER SUPPLY SUPPORT

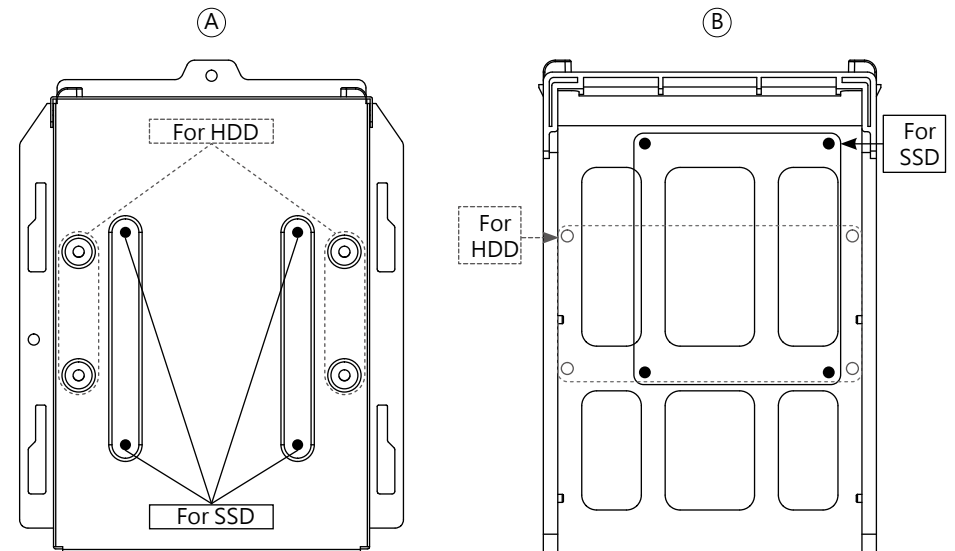
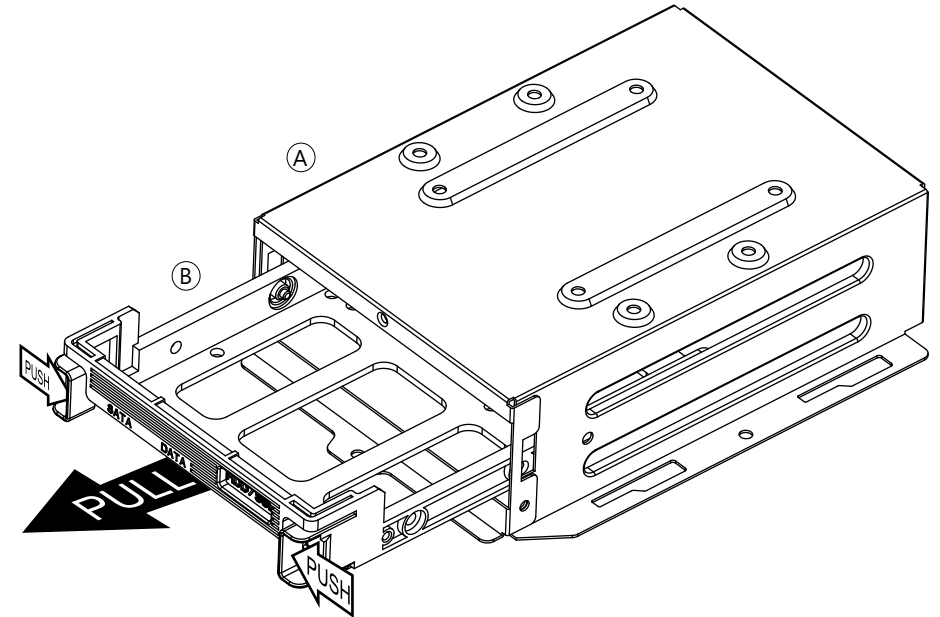
1	SSD * 2
2	SSD * 2 or HDD * 2
3	PSU 160~200mm
4	Controller/ 控制板



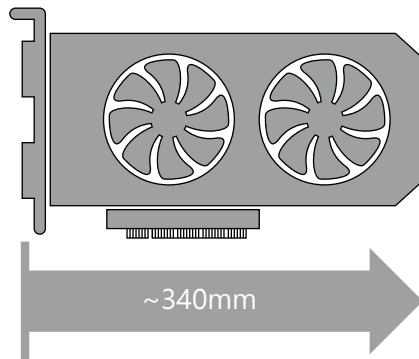
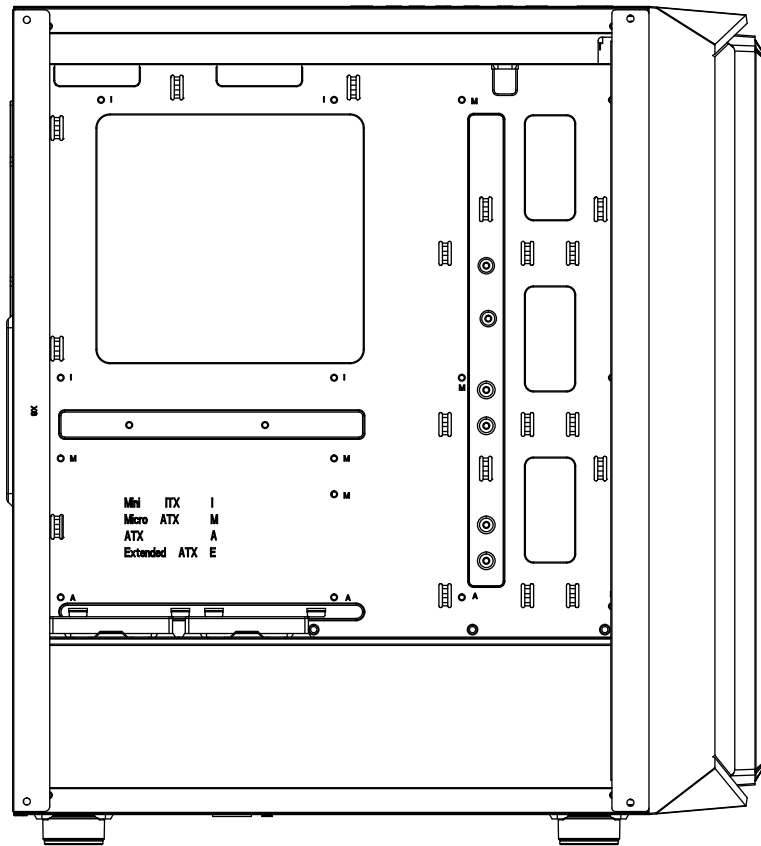
① Install on hard drive bracket/ 裝於硬碟架上

Pull out the hard drive holder, lock the screws at the screw holes, and then return the hard drive holder to the original position.

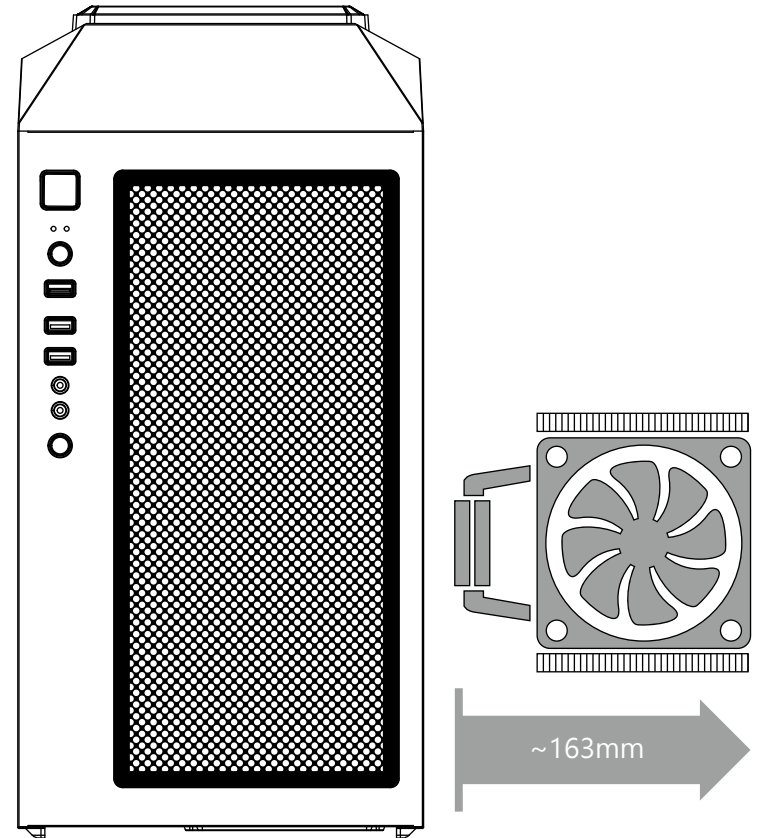
將硬碟架拉出，對準螺絲孔位鎖上螺絲後，再將硬碟架放回原位即可



GRAPHICS CARD COMPATIBILITY

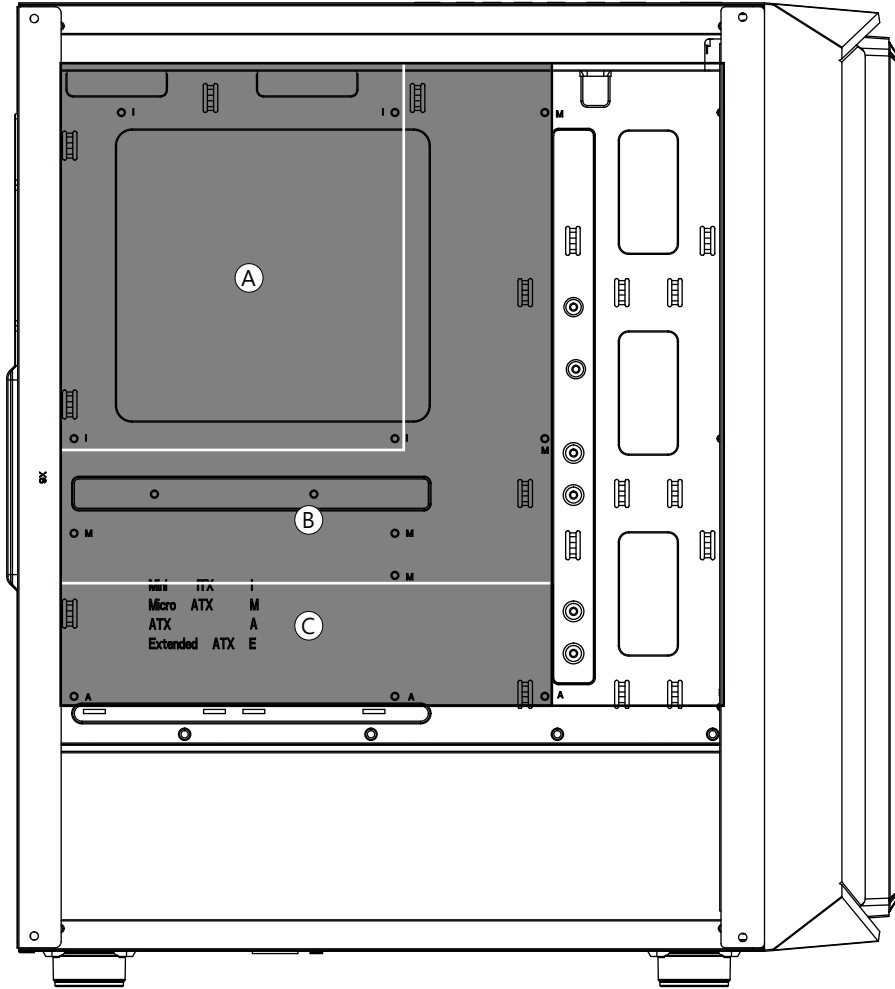


CPU COOLING COMPATIBILITY



MOTHERBOARD COMPATIBILITY

A	Mini-ITX
B	Micro-ATX
C	ATX





15F.No.136, Ln.39,Sec.1,Wenhua 3rd Rd., Linkou Dist.,
New Taipei City 244 , Taiwan (R.O.C).
TEL:+886 2-26091081
Email:headquarter@montechpc.com
Web:<https://montechpc.com/>