

## Time switch mechanism 16 A DP, break contact for staircases, exterior lighting, fans, etc.

### Functions at a glance

- Running time: 15 min
- For time-programmed switching of electrical consumers.
- Rated voltage: 230 V~, +10 % / -10 %
- Rated current: 16 A, cos  $\varphi$ 0.25
- Protection class (device): IP 20
- For screw-fixing only
- Only in conjunction with standard flush-mounting boxes according to DIN 49073, Part 1, erect or Busch-Jaeger No. 3040 wallbox stonework, 3050 wallbox cavity wall or 3060 wallbox concrete)

### Order details

<b>Article No.:</b>	1070 U
<b>Order No.:</b>	2CKA001043A0025
<b>EAN:</b>	4011395019405
<b>Customs tariff number:</b>	91070000
<b>Preisgruppe:</b>	19
<b>Preis:</b>	71,20 EUR plus VAT
<b>Info sheet:</b>	» Download PDF

### Downloads

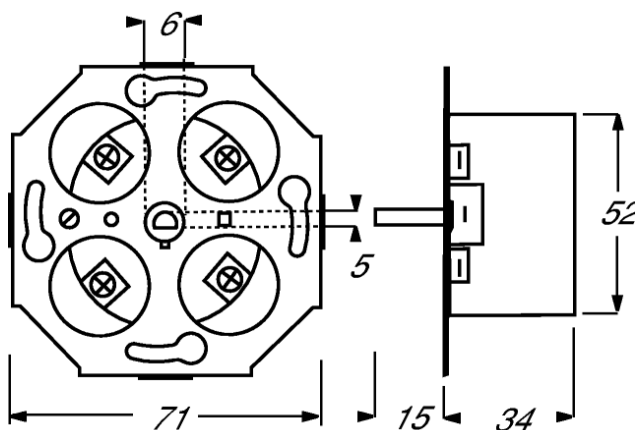
#### Certificates

- » [EU-declaration of conformity](#)
- » [ROHS product declaration](#)

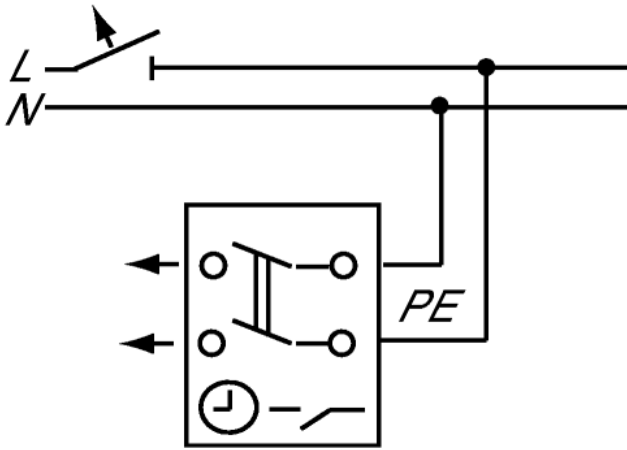
#### Tips / Tricks

- » [Installation instructions](#)

### Dimensions



Wiring diagram



Time switch mechanism DP, break contact, 1070 U/1071 U