



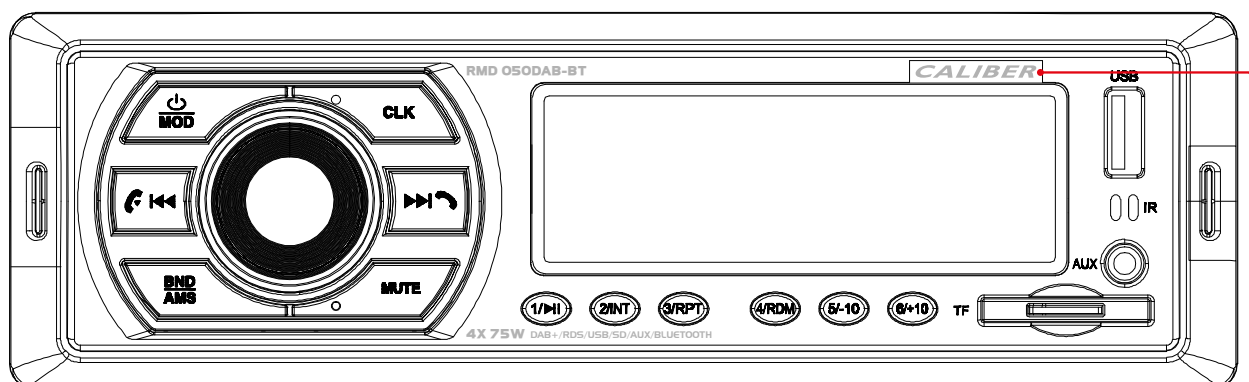
RMD 050DAB-BT

Manual

· **ENGLISH** ·

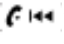

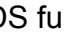

RMD050DAB-BT


Instruction Manual

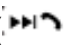


- FM Electronic tuning system
- Automatic storage of 18 broadcasting stations
- Support MP3/WMA format
- Support USB and TF card ports
- Support DAB function
- Super LCD display
- Digital electronic volume
- EQ Sound effect control
- Support external audio input
- Support RDS function

Basic operation:

1. Backward music selection/backward broadcasting station search button (⏮) 
 - 1) Long press this button for the backward broadcasting station search by step system under the reception state; short press this button for the backward broadcasting station search in a semi-automatic way, and Button 1-6 can be long pressed to preset the storage of broadcasting station after stopping.
 - 2) Short press this button for backward selection of single music under the MP3 playing state. Long press this button for rapid rewinding.
 - 3) Short press the button to hang up the incoming message or call after the phone bluetooth is connected.
2. Power switch/mode button (⏻/MOD) 
 - 1) Short press this button for startup and long press this button for shutdown after energizing.
 - 2) Short press this button for mode conversion after startup (reception/USB/SD/AUX/DAB/BT).
3. Volume knob/tone selection/RDS function control button (VOL/SEL) 
 - 1) Rotate the volume knob can regulate the volume under the condition of the reception or playback.
 - 2) Short press the volume repeatedly can enter into the following selection : (BASS, TRE, BAL, FAD, EQ, LOUD, STERO/MONO, DX/LOC, CLOCK 12/24 and AREA EUR/USA, namely: bass, treble, left-right balance, anterior-posterior balance, sound effect, equal loudness, radio stereo/mandatory mono, remote/local, 12/24-hour system and European system/American system) functions, which can be selected by regulating the volume knob.
 - 3) Short press this button after long pressing under the condition of the reception or playback, and (AF ON, TA OFF, TAVOL25, REG OFF, EON OFF and SEL PTY) functions will be entered, which can be selected by regulating the volume knob.
4. Bluetooth microphone placed in the CLK button 

The sound during the call with bluetooth will be entered from here.
5. Clock button (CLK) 

Short press this button once for checking the clock, and then, long press this button to enter into the time set (the clock will be flickered) under the state that the time is displayed, at this time, rotate the volume knob for hour regulation; Short press this button again, the minute will be flickered, at this time, rotate the volume knob for minute regulation; the system will make automatic confirmation after 2s upon the regulation is completed, and the time state will be exited.
6. Forward music selection/ forward broadcasting station search/answer button (⏭) 
 - 1) Long press this button for the forward broadcasting station search by step system under the reception state; short press this button for the forward broadcasting station search in a semi-automatic way, and Button 1-6 can be long pressed to preset the storage of broadcasting station after stopping.

incoming message; long press this button to dial the last phone number under the bluetooth state.

7. Display screen

Display the reception frequency and current display information.

8. USB Socket

Insert the USB flash disk, and the music in corresponding format can be displayed automatically.

9 panel control receiving window

It is used to receive the command sent from the panel control.

10. AUX-IN Jack (AUX)

It is used for external connection of audio signal.

11. Insert TF card

Insert the TF card, and the music in corresponding format can be displayed automatically.

12. Figure 6/forward+10 music button (6/+10)

- 1) Short press this button for playing the preset "6" radio station under the reception state, and long press this button for 2s to store the radio station played currently as "6" radio station.
- 2) Under the MP3 playing state, short press this button for selection play offoward +10 musics, and long press this button for forward selection of folder and playing.

13. Figure 5/ backward-10 music button (5/-10)

- 1) Short press this button for playing the preset "5" radio station under the reception state, and long press this button for 2s to store the radio station played currently as "5" radio station.
- 2) Under the MP3 playing state, short press this button for selection play of backward +10 musics, and long press this button for backward selection of folder and playing.

14. Figure 4/ random play button (4/RDM)

- 1) Short press this button for playing the preset "4" radio station under the reception state, and long press this button for 2s to store the radio station played currently as "4" radio station.
- 2) Short press this button for random playing under the MP3 playing state. Short press this button again, the sequential play will be recovered.

15. Figure 3/single repeat play button (3/RPT)

- 1) Short press this button for playing the preset "3" radio station under the reception state, and long press this button for 2s to store the radio station played currently as "3" radio station.
- 2) Short press this button for single repeat play under the MP3 playing state, and short press this button again, the single repeat function will be canceled.

16. Figure 2/browse and play button

- 1) Short press this button for playing the preset "2" radio station under the reception state, and long press this button for 2s to store the radio station played currently as "2" radio station.
- 2) Short press this button for browsing the MP3 music under MP3 playing state, and the next music will be played 10s after playing of each music; short press this button again, the sequential play will be recovered.

17. Figure 1/pause button (1/▶||)

- 1) Short press this button for playing the preset "1" radio station under the reception state, and

long press this button for 2s to store the radio station played currently as "1" radio station.

- 2) Short press this button for pause under MP3 playing state, and short press this button again for playing.

18. Mute button (MUTE)

Short press this button for mute and short press this button again for mute cancellation.

19. Reset button (RES)

In case the functions of host system are in disorder, short press this button for resetting the system, after which, the host needs to be restarted.

20. Band switching/automatic lock button (BND/AMS)

- 1) Short press this button for band switching (FM1-FM2-FM3/DAB1-DAB2-DAB3) under the state of reception or DAB mode, and long press this button for searching the broadcasting station automatically, and the searched broadcasting station will be stored as the Button 1-6 preset in order; After the broadcasting station is searched automatically for once, the program of the first broadcasting station stored will be played automatically. 6 broadcasting stations can be stored for each band, namely, 18 broadcasting stations can be stored.
- 2) Long press this button for music selection by figures under the playback state, at this time, the target music can be selected by "volume knob", "Move Previous" and "Move Next"; finally, short press "SEL" button for playback confirmation.

Bluetooth operation:

1. Matching of phone and host

Firstly, approach the phone to host and enable the bluetooth of the phone, then, find the bluetooth name of the host "RDM050DAB-BT" (password: 1234) with the phone for connection. When 2s "doduo" prompt tone is sent from the phone, it indicates that the successful connection between the host and phone bluetooth.

2. Dialing with bluetooth

After the bluetooth connection, press the "MODE" button to switch to the "BT" state, at this time, the phone number will be input by pressing the numeric key "0-9" after the "☎" button on the panel control is pressed, then, press "☎" button again to achieve the dialing.

3. Answering calls with bluetooth

After the bluetooth connection, short press "▶☎" button on the panel or "☎" button on the panel control in case of incoming message; when the volume needs to be regulated, long press "BND/AMS" button on the panel may realize the switching of the call between the phone and host, and the call can be hung up by pressing "☎" button on the panel or "☎" button on the panel control after the call.

4. Playing music with bluetooth

After the bluetooth connection, BT mode can be switched to by pressing "MODE" button; at this time, the music in the phone can be played by short pressing the "1/▶" button on the panel or panel control, which can be paused by short pressing such button again.

Basic RDS operation

1) AF Function

When starting the host for the first time, its system will default to be in the RDS (AF) tracking and station selection state automatically; In case the broadcasting station of FM band requires to be listened, RDS (AF) function must be closed at first, otherwise, FM band will not receive the broadcasting station.

Method for switching on/off AF: Long press "SEL" button to select AF ON at first, and select AF OFF by rotating volume knob.

2) REG Function

The "REG OFF" state will be entered by short pressing "SEL" button after long pressing such button under any condition of the opened host, then whether to open area selection will be selected by volume knob.

3) TA Function

The "TA OFF" state will be entered by short pressing "SEL" button after long pressing such button under any condition of the opened host, then select to open "TA ON" by regulating the volume knob, and the traffic information can be played automatically.

4) TA Volume selection function

The "TA VOL" state will be entered by short pressing "SEL" button after long pressing such button under any condition of the opened host, then the volume of TA function can be selected by volume knob.

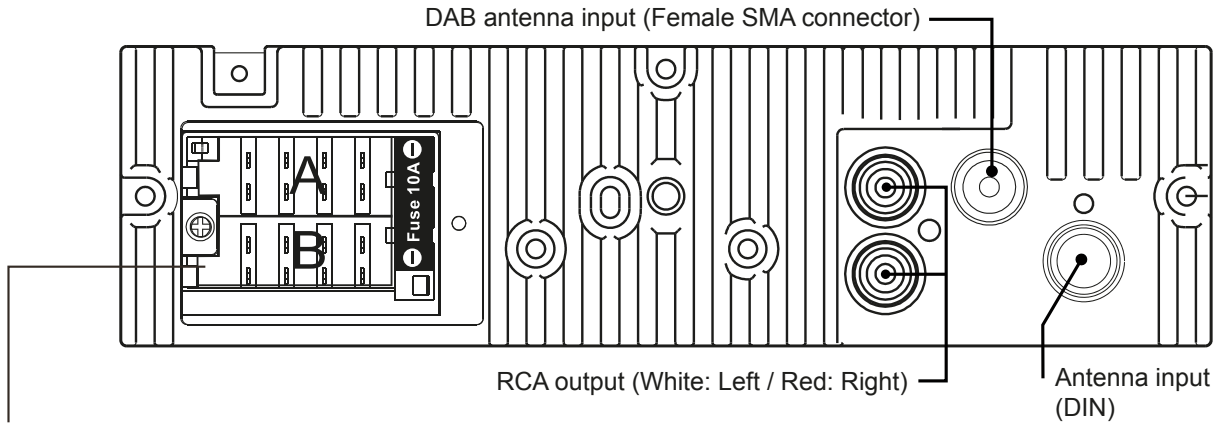
5) EON Function

The "EON" state will be entered by short pressing "SEL" button after long pressing such button under any condition of the opened host, then whether the to display the information of other broadcasting stations will be selected by volume knob.

6) PTY Function

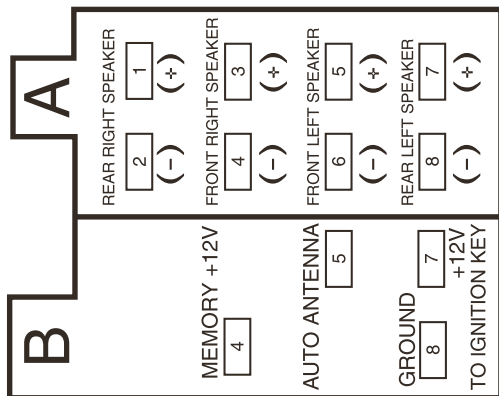
The "SEL PTY" selection state will be entered by short pressing "SEL" button after long pressing such button under reception condition of opened host, then, the type of broadcasting station program will be selected with "volume +" and "volume -" buttons.

Wiring diagram

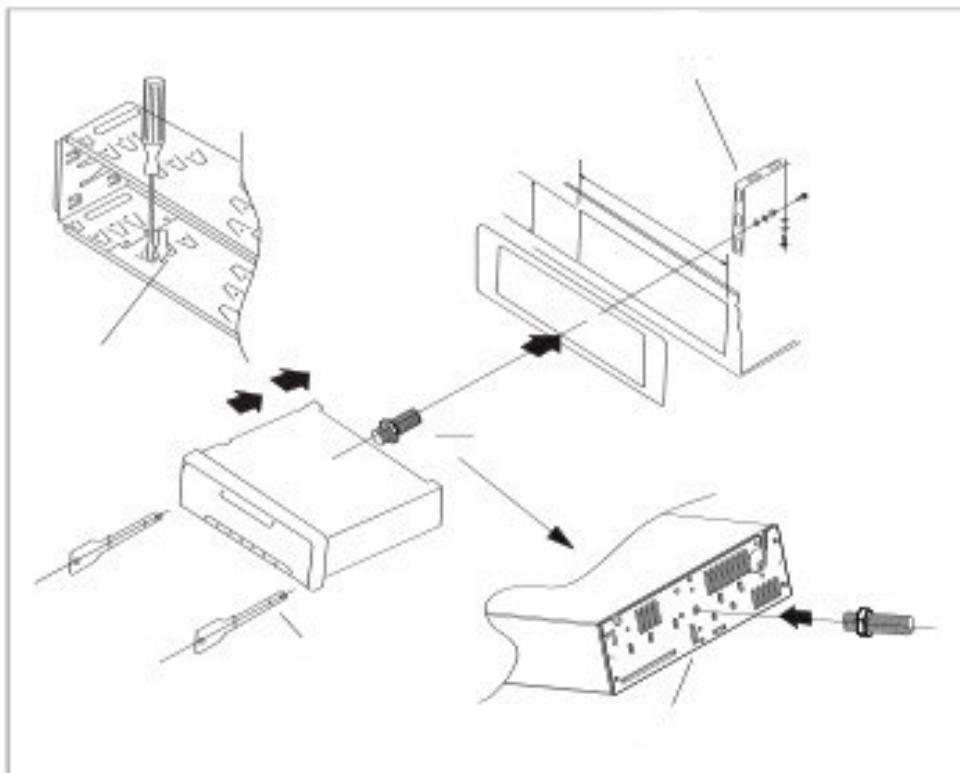


ISO connector:

- | | |
|--|--|
| A1. Rear right speaker(+) / Purple | B4. Battery 12V (+) / Yellow |
| A2. Rear right speaker(-) / Purple-Black | B5. Antenna power / Blue-White
(to DAB+ antenna power supply) |
| A3. Front right speaker(+) / Grey | B6. Panel light / Orange-White
(optional) |
| A4. Front right speaker(-) / Grey-Black | B7. ACC+ / Red |
| A5. Front left speaker(+) / White | B8. Ground / Black |
| A6. Front left speaker(-) / White-Black | |
| A7. Rear left speaker(+) / Green | |
| A8. Rear left speaker(-) / Green-Black | |



Schematic diagram of installation and dismantling:



Technical parameters

FM part

Frequency range -----87.5MHz-108MHz

Noise limit sensitivity ----- $\leq 37\text{dBf}$

Signal-to-noise ratio ----- $\geq 40\text{dB}$

Frequency stepping----- 0.05 MHz or 0.1MHz

MP3 playing part

Frequency response -----100Hz 1 Hz (5dB)

Signal-to-noise ratio ----- $\geq 45\text{dB}$

Channel separation ----- $\geq 30\text{dB}$

Voltage harmonic distortion (1kHz) ----- $\leq 5\%$

Balance of playback stereo channel ----- $\leq 3\text{dB}$

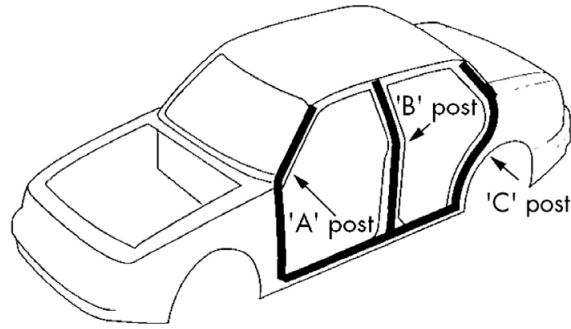
General index

Supply voltage -----DC12V

Horn impedance -----4-8 Ω

Rated output power -----45W $\times 4$ channels

Size -----178mm(width) \times 50mm(height) \times 100mm(depth)



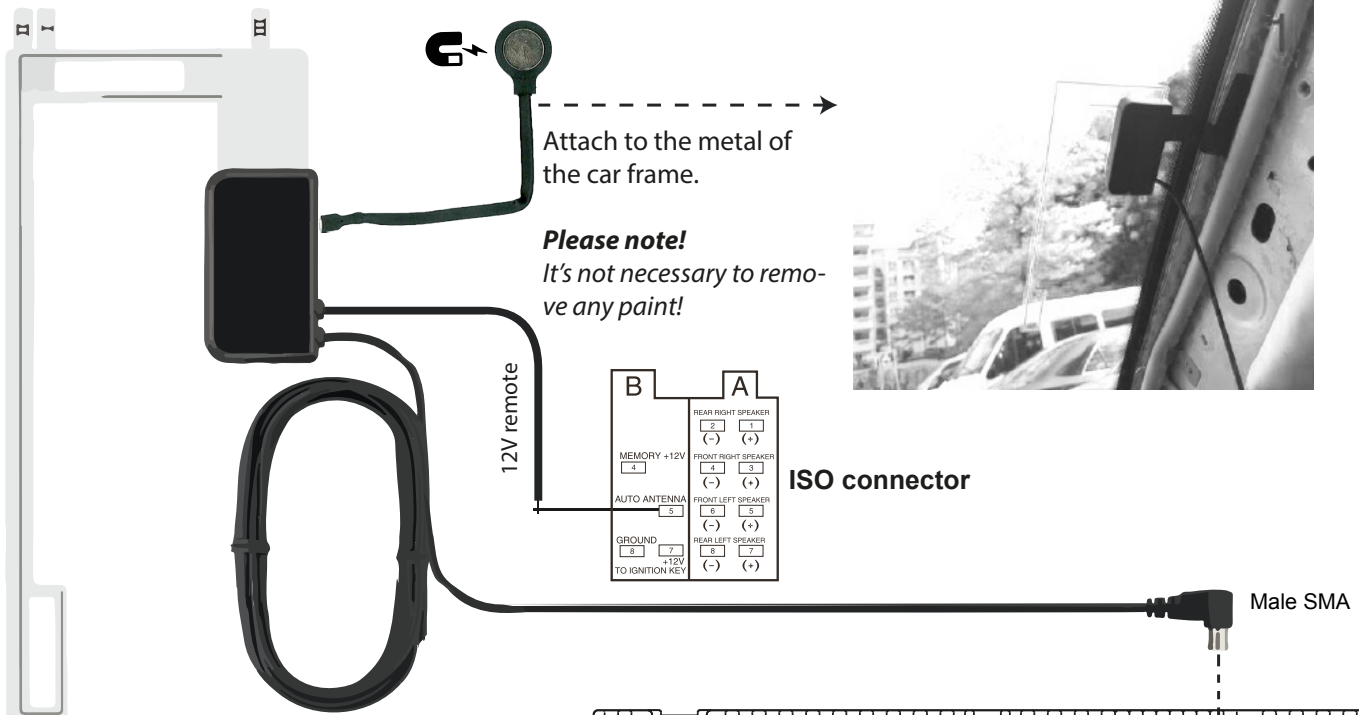
Place the antenna on the windshield near the 'A post'



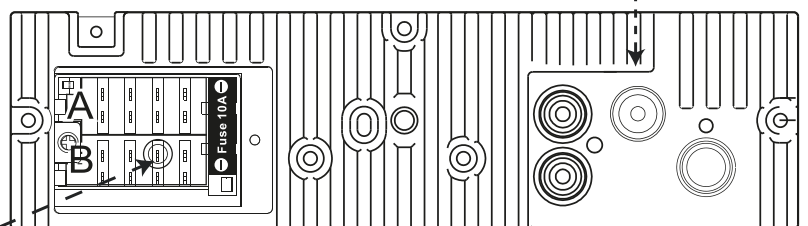
Remove the cover of the A-post



Stick the transparent part of the antenna on the windshield and put the black part on the metal frame.



Power the DAB Antenna with the blue/white cable (12V Remote)
Make sure to strip the wires before connecting them.



WWW.CALIBER.NL

CALIBER HEAD OFFICE · The Netherlands · Fax: +31 (0)416 69 90 01 · E-mail: info@caliber.nl