

## FAB10HRNE

### 50's Retro style

50's style home bar refrigerator in Black, Right hand hinge

Energy efficiency class A+

EAN13: 8017709148706



- Gross capacity: 135 litres
- Energy consumption: 123 Kw/h per year

#### Refrigerator

- Capacity: 130 litres
- Automatic defrost
- Adjustable thermostat
- 2 adjustable glass shelves
- Chrome wine rack
- Bottle and can separators

### Key to symbols



### Versions

- **FAB10HRP** - 50's Style Home Bar Refrigerator A+, Cream, RHH
- **FAB10HLP** - 50's Style Home Bar Refrigerator A+, Cream, LHH
- **FAB10HRB** - 50's Style Home Bar Refrigerator A+, White, RHH
- **FAB10HLB** - 50's Style Home Bar Refrigerator A+, White, LHH
- **FAB10HRR** - 50's Style Home Bar Refrigerator A+, Red, RHH
- **FAB10HLR** - 50's Style Home Bar Refrigerator A+, Red, LHH
- **FAB10HRNE** - 50's Style Home Bar Refrigerator A+, Black, RHH
- **FAB10HLNE** - 50's Style Home Bar Refrigerator A+, Black, LHH





**A+:**

Smeg products with A+ or A++ energy rating are highlighted with one of the following Symbols



**Automatic defrost:**

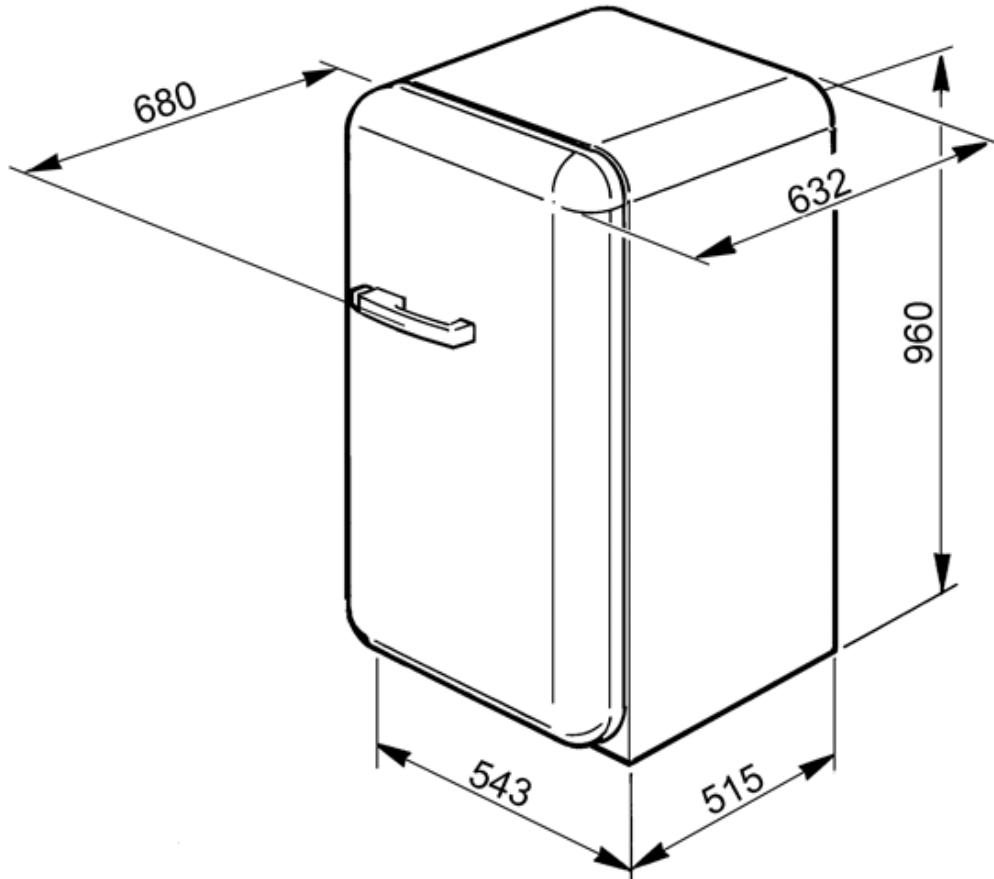
The automatic defrost system works by automatically defrosting at regular intervals eradicating the need to defrost altogether.



## FAB10HRNE

50's Retro style

fridge  
free standing  
single door  
black  
60 cm  
energy rating A+



Smeg (UK) Ltd  
The Magna Building, Wyndyke Furlong, Abingdon  
OX14 1DZ  
Tel. +44 (0)844 557 9907  
Fax +44 (0)844 557 9337