

A5銅板紙或模糙紙100P單色雙面印刷摺1摺成A6

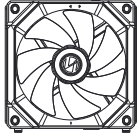
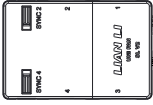







INSTALLATION GUIDE / 安裝指南

UNI FAN SL120 V2 RGB

UF-SL120V2-3B / UF-SL120V2-3W

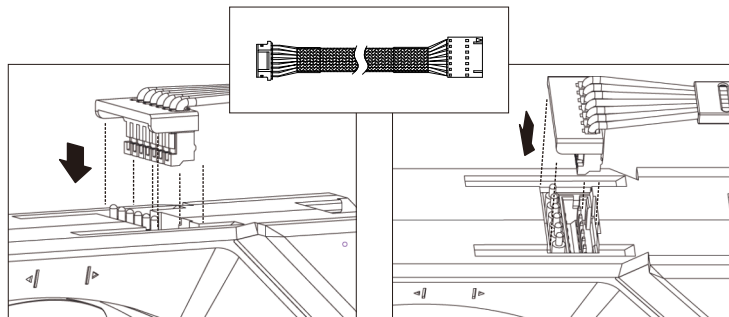
Package Contents / 包裝內容物

	x 3 pcs		x 1 pc
	x 4 pcs		x 1 pc
	x 2 pcs	 M5x10	x 12 pcs
			x 1 pc

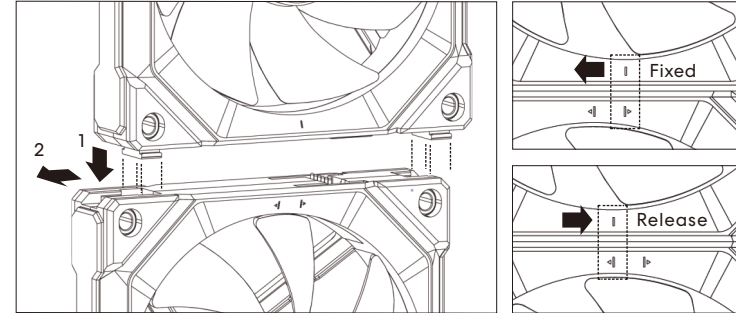
Power Cable Installation / 電源線安裝

Note 1! The socket for the power cable modular is directional, which shall connect the male-female plug and cover the pins.
 注意1! 電源線插頭有方向性，公母插針對接，擋板蓋住彈簧端子。

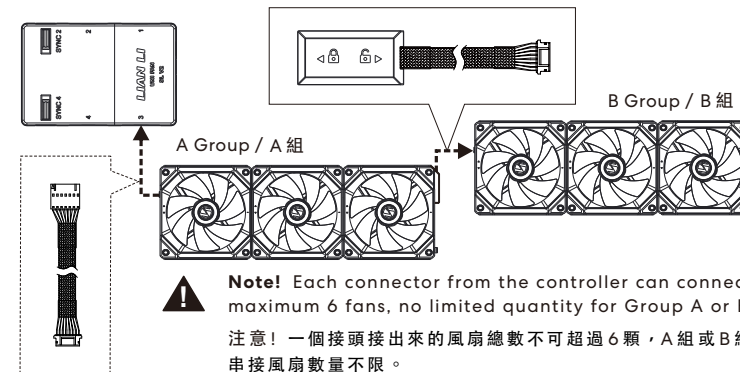
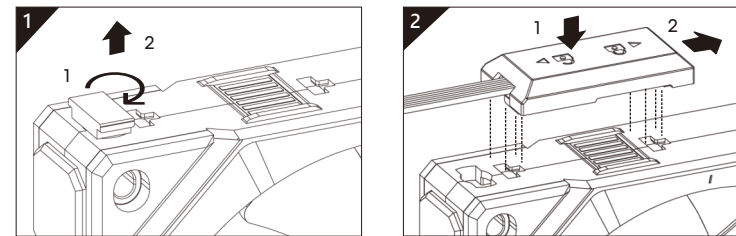
Note 2! The pulling connector mechanism is designed to not loosen easily.
 注意2! 拉拔端子接頭具有卡扣設計，因此不必擔心容易鬆脫。



Fan to Fan Connection / 風扇連接風扇

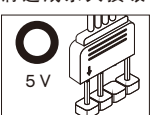


Daisy Chain Extension Cable Connection / 使用串接延長線



Controller Cable Connection / 控制器線材連接

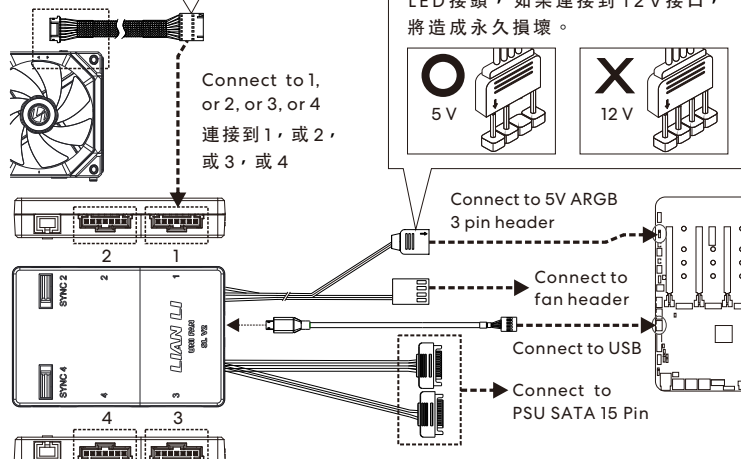
Warning! Do not connect the wrong type of LED connector. If it is connected to the 12 V connector, permanent damage will occur.
警告! 請不要連接錯誤類型的 LED 接頭, 如果連接到 12 V 接口, 將造成永久損壞。



5 V 12 V

Note! The header is designed with a clamp, please press the clamp to release the header from the controller.
注意! 此接頭設有卡扣, 請向下按壓卡扣再將接頭拔出控制器。

Connect to 1, or 2, or 3, or 4
連接到 1, 或 2, 或 3, 或 4



Connect to 5V ARGB 3 pin header

Connect to fan header

Connect to USB

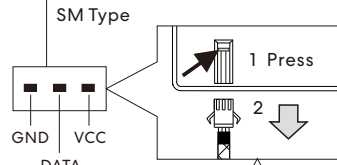
Connect to PSU SATA 15 Pin

Note! Merge lighting effects will be affected by the installation direction, please refer to link below for details.
注意! 某些燈效會因為風扇擺放位置而受到影響, 請先掃碼或輸入網址參考詳細圖解。

Merge Effect Fan Installation Advice

<https://lian-li.com/L3-manual#merge>

Note! Press and pull out the connector to release the cable.
注意! 按下再拉出線材接頭。



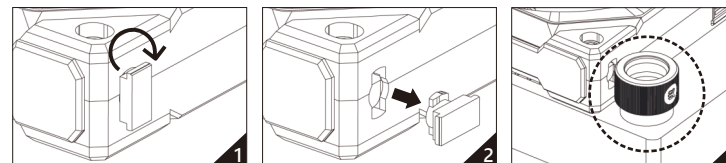
SM Type

1 Press

2 ↓

GND VCC DATA

Fan Mounting on Raditor / 水冷排上的風扇安裝

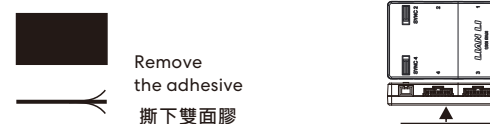


Warning! Note 1! The fan interlocking key is removable if it is affected by the radiator inlet and outlet.
注意! 若遇到水冷排水位置影響風扇扣鎖, 可將風扇卡扣鎖移除。

Note 2! Implementing counterbore screw holes to fit standard long screws, do not use gaskets when mounting with long screws.
注意 2! 本風扇為 28 mm 厚度, 採下沉式螺絲孔設計, 適用一般常規長螺絲(具有隱藏螺絲頭的功能), 無法使用墊片+長螺絲。

Note 3! Only use the screws(M5x10) that is included in the box, other screws may not hold the fan properly.
注意 3! 請使用附件裡的 M5x10 螺絲來安裝風扇, 以確保風扇牢固。

Use of Magnetic Adhesive Pad / 磁性膠墊使用



Restriction of Controller / 控制器的限制

Maximum output of controller when connected BOTH SATA 15 PIN cable:

1. The maximum total output of the controller supports up to 29 W, do not connect more than 16 fans to the controller.
2. Use L-Connect 3 to set static white, please lower the brightness.
3. When sync to motherboard and set as 100% brightness of static white, the controller supports up to 8 UNI FAN SL V2.
4. Each SM type port supports up to 5 W.(SYNC 2 port syncs to the lighting effect of port 2; SYNC 4 port syncs to the lighting effect of port 4).

控制器 2 個 SATA 15 PIN 線材電源全接情況下, 最大輸出如下:

1. 控制器最大輸出為 29 W, 請勿串接超過 16 顆風扇至控制器。
2. 採用 L-Connect 3 軟體控制風扇設為定色白光, 請將白光亮度降低。
3. 同步主機板亮度開至 100% 的定色白光時, 最多支援 8 顆 UNI FAN SL V2。
4. 控制器上的 SM type 輸出口最大支援 5 W (SYNC 2 接口同步 2 號接口燈效; SYNC 4 接口同步 4 號接口燈效)。