



Dear customer,

Thank you very much for choosing a Noctua cooler for your TR5/SP6 system. This manual will guide you through the installation process step by step using an NH-U14S DX-3647 heatsink as an example. Please note that the installation procedure is identical for all models. Enjoy your Noctua cooler on NM-TR5/SP6!

Yours sincerely,

R. Mosig
Roland Mossig, Noctua CEO

This manual will guide you through the installation process of the SecuFirm2™ mounting system step by step.

Prior to installing the cooler, please consult the compatibility centre on our website (ncc.noctua.at) and verify that the cooler is fully compatible with your motherboard.

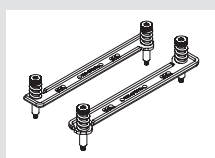
Please also make sure that your PC case offers sufficient clearance for the cooler and that there are no compatibility issues with any other components (e.g. tall RAM modules).

Double check that the heatsink and fan clips do not make contact with the VGA card, other PCIe cards, motherboard heatsinks or any other components.

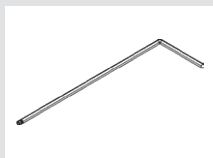
Noctua cannot be held responsible for any damage or losses caused by compatibility issues.

Should you encounter any difficulties, please check the FAQs on our website (faq.noctua.at) and don't hesitate to contact our support team at support@noctua.at.

Required mounting parts:



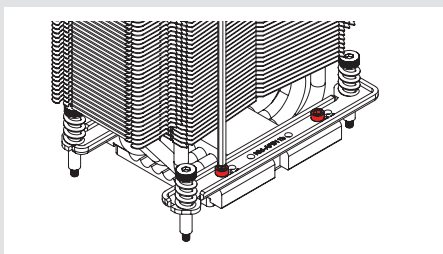
NM-AFB11 fastening brackets



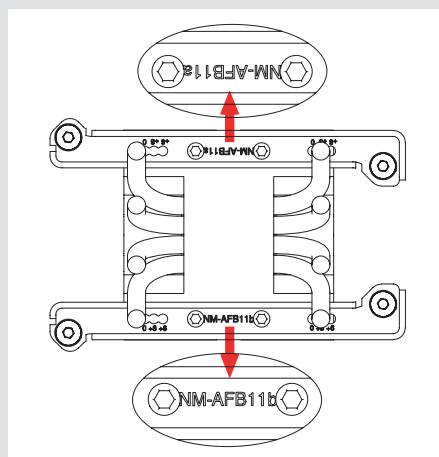
NM-SMT4 mounting tool

1 Installing/replacing the mounting brackets

Take the fan(s) off the cooler. If the original mounting brackets are already installed on the cooler, please take them off first. Then install the NM-AFB11 brackets for TR5/SP6.



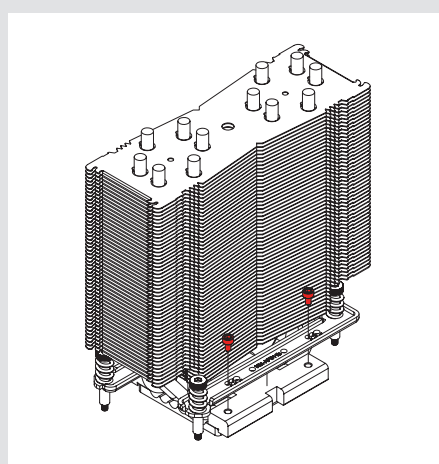
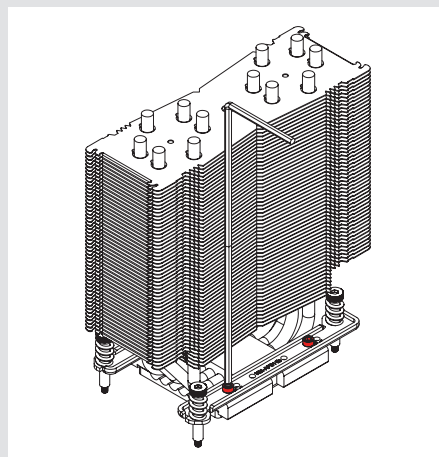
Caution: Gently tighten the screws until they stop, but do not use excessive force (max. torque 0.6 Nm).



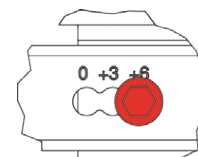
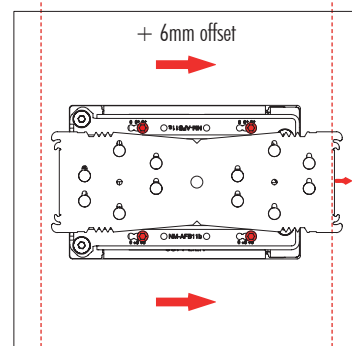
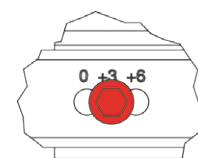
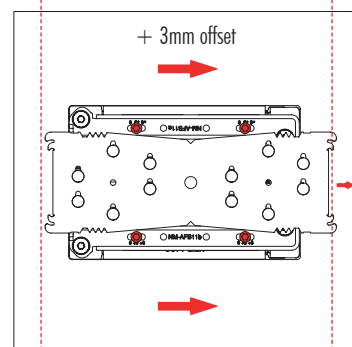
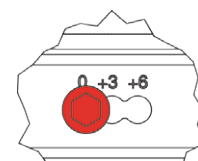
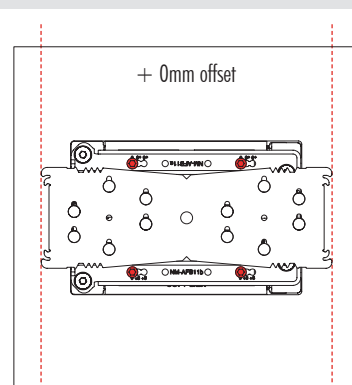
Ensure that the name of the mounting bars is oriented towards the CPU, as shown in the image above.

2 Offsetting the cooler

The SecuFirm2™ mounting for TR5/SP6 makes it possible to offset the cooler by 3 or 6mm. On motherboards with east-to-west socket orientation, this can be used to offset the compatible NH-U14S, NH-U12S and NH-U9 series coolers towards the right, increasing clearance towards the I/O panel. On boards that use a north-to-south orientation of the CPU socket(s), this allows offsetting the cooler towards the upper edge of the motherboard in order to increase PCIe clearance.



In order to offset the cooler, please unscrew the NM-AFB11 fastening brackets and reinstall them in the +3 (3mm offset) or +6 (6mm offset) position.



Caution: Gently tighten the screws until they stop, but don't use excessive force (max. torque 0.6 Nm).



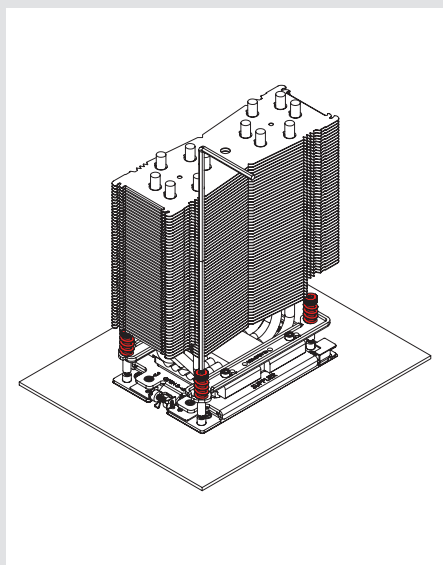
3 Fastening the heatsink to the CPU

If you are using a new heatsink, first remove the plastic protection cover from the base of the heatsink.

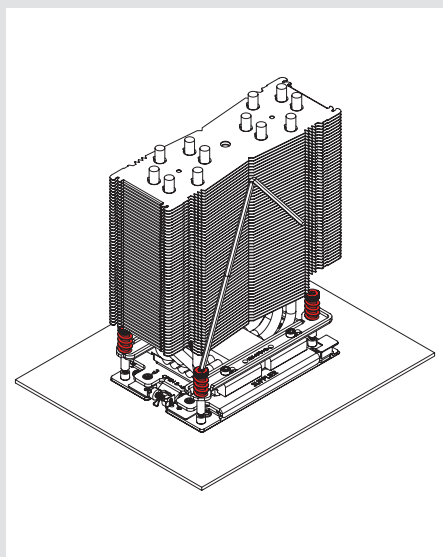
If your heatsink has thermal compound pre-applied, be careful not to damage the layer of paste.

If you are not using the heatsink for the first time or it doesn't have thermal compound pre-applied, you need to apply a thin layer of thermal compound to the CPU yourself as shown below.

If there are residual traces of previous thermal paste or thermal pads on your CPU or on the heatsink, please clean them off first.



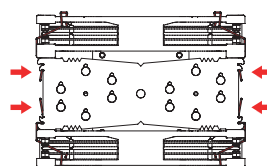
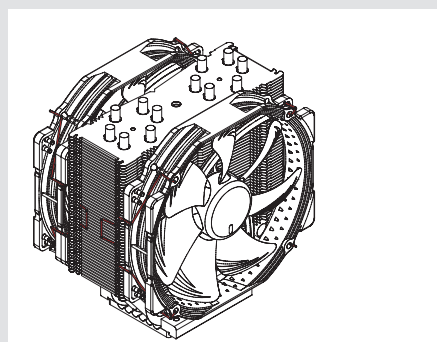
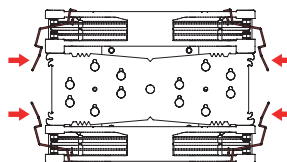
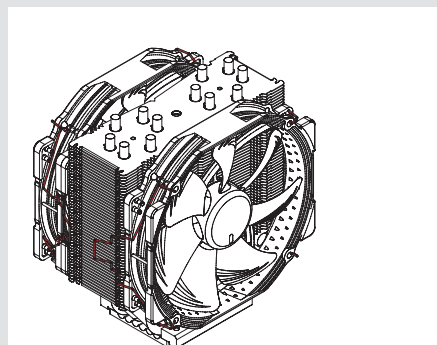
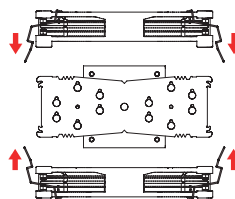
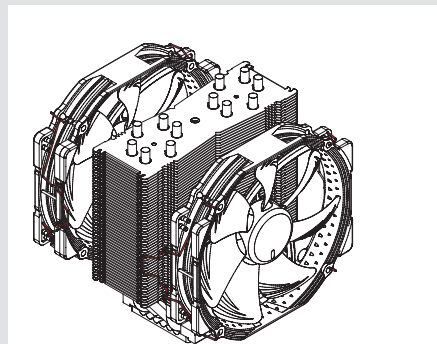
Caution: Gently tighten the screws until they stop, but don't use excessive force (max. torque 0.6 Nm).



Note that you can tilt the mounting tool for reaching the screws in case they are blocked by the heatsink fins.

4 Installing the fans

Reattach the fans to the heatsink using the supplied fan clips:



Connect the fan(s) to the motherboard's CPU fan header(s). If necessary, use the supplied NA-YC1 splitter cable to connect both fans to one fan header.

! Transporting your system

As it is not possible to reliably calculate or control the forces that act upon a system during transport (e.g. in shipping), we generally recommend, for safety reasons, taking the cooler off.

Noctua cannot be held responsible for any damage that may arise due to excessive stress during transport if you keep the heatsink installed.

! Warranty, support and FAQs

Even with high-grade products and strict quality control, the possibility of defects cannot be eliminated entirely. Therefore, we aim at providing the highest possible level of reliability and convenience by offering a warranty period of 6 years and direct, fast and straightforward RMA service.

Should you encounter any problems with your NM-TR5-SP6, please don't hesitate to contact our support team at support@noctua.at.

Please also consult the FAQ section on our website: faqs.noctua.at