



User Manual

HOME



NOCTUA NV-AA1-12
Airflow amplifier for boosting NF-A12x25 120mm fans

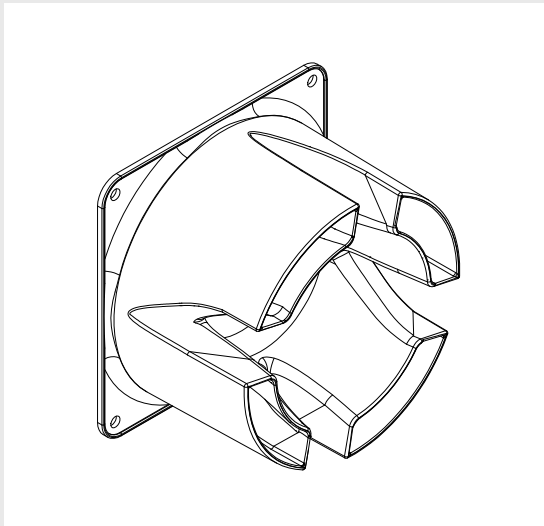
NOCTUA NV-AA1-12

Airflow amplifier for boosting NF-A12x25 120mm fans

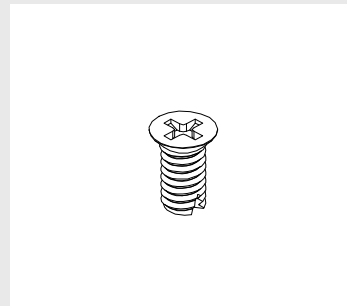
The NV-AA1-12 is an airflow amplifier for NF-A12x25 120mm fans that is ideal for boosting their performance in desk and room ventilation applications.

Thanks to a three-way airflow amplification system that combines helix energy recovery, progressive flow acceleration, and Venturi-effect volume enhancement, the NV-AA1 enables these fans to create a strong, focused beam of air while maintaining exceptional quietness of operation.

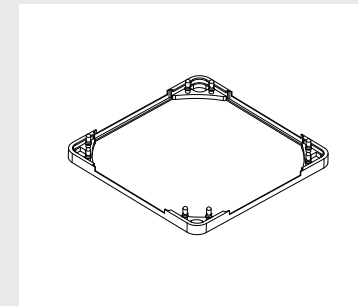
Required parts



NV-AA1-12
airflow amplifier



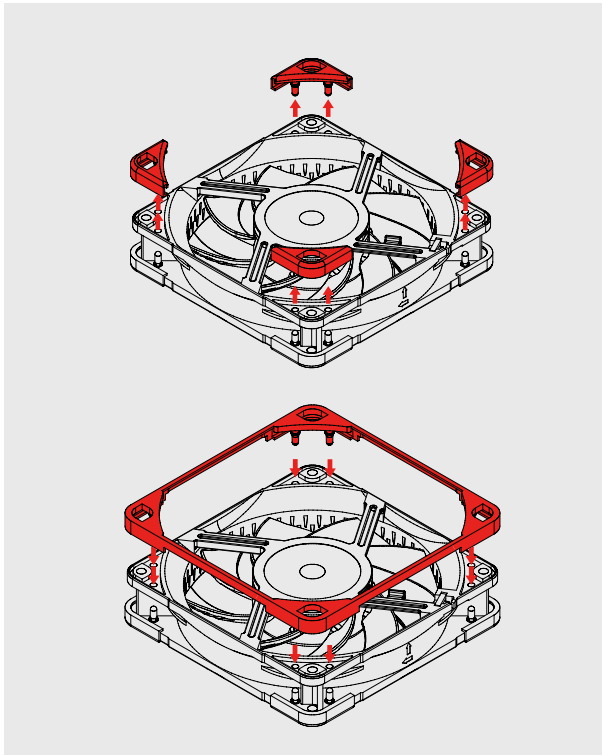
4x fan screws



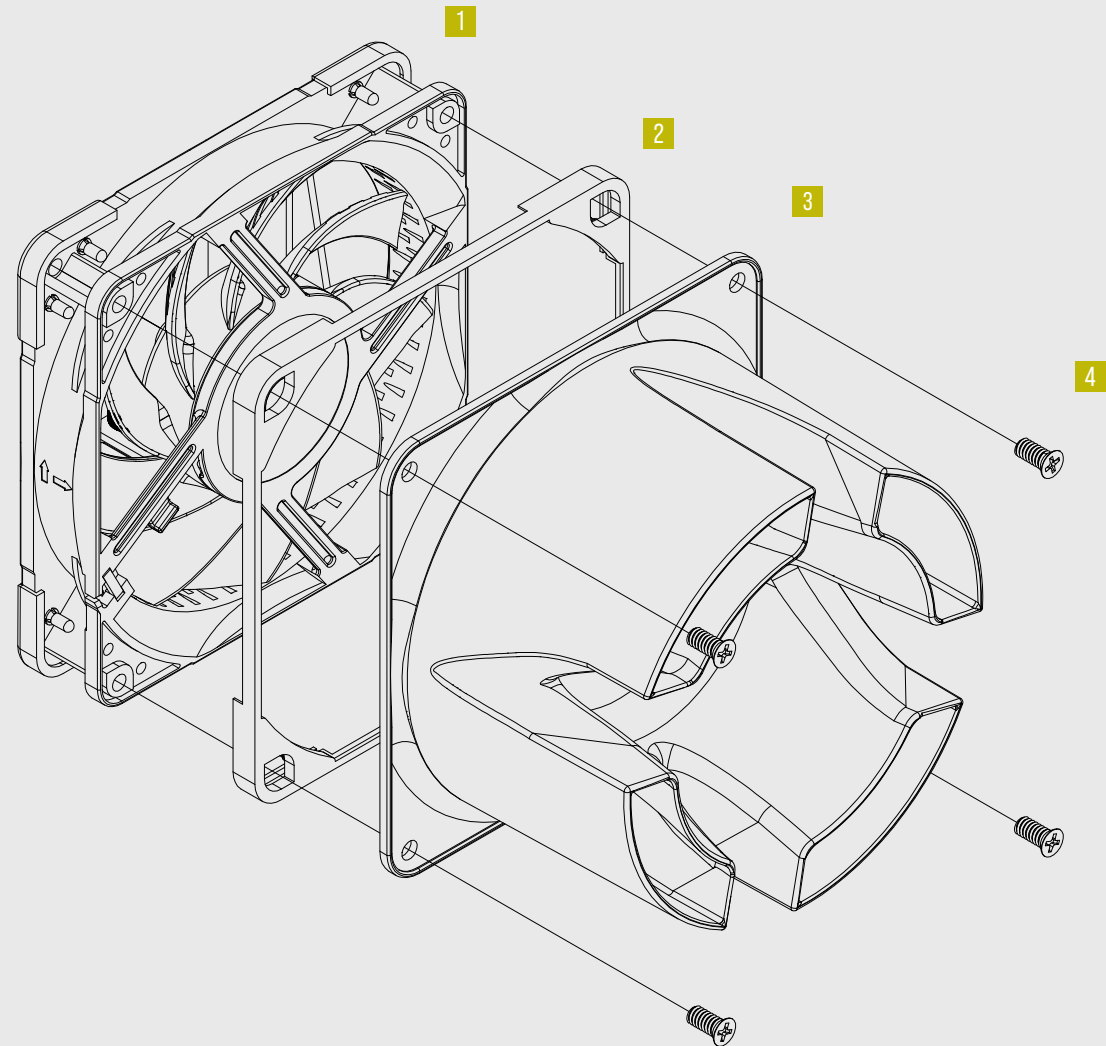
NA-SAVG1
anti-vibration gasket
(included with NF-A12x25 fan)

Attaching the NV-AA1-12 airflow amplifier

First, remove the fan's pre-installed anti-vibration pads on the outlet side of the fan and replace them with the NV-AVG1 anti-vibration gasket that came with the fan so that there will be no gap between the fan and the NV-AA1.



Then, screw-fix the NV-AA1 to the fan's mounting holes using the supplied screws.



- 1 NF-A12x25 PWM chromax.black premium fan
- 2 NA-SAVG1 anti-vibration gasket
- 3 NA-AA1-12 airflow amplifier
- 4 Fan screws

Warranty & support

Even with high-grade products and strict quality control, the possibility of defects cannot be eliminated entirely. Therefore, we aim at providing the highest possible level of reliability and convenience by offering a warranty period of 6 years and direct, fast and straightforward RMA service.

Should you encounter any problems with your NV-AA1-12, please don't hesitate to contact our support team at support@noctua.at.

Please also consult the FAQ section on our website: [faq.noctua.at](https://www.noctua.at/faq)