

perixx

PERIPAD-202

User Manual



V VALUE
CREATOR



Perixx's warranty obligations are limited to the terms set forth below. Perixx warrants this hardware product against defects in materials and workmanship for a period of one (1) year from the date of original invoice.

If you discover a defect, Perixx will either repair or replace the product free of charge. You must contact Perixx for a Return Merchandise Authorization number (RMA) prior to returning any product. For each product returned for warranty service, please include your name, shipping address (no P.O. Box), telephone number, copy of the bill of sale as proof of purchase and make sure that the package is clearly marked with your RMA number.

THE WARRANTY AND REMEDIES SET FORTH ABOVE ARE EXCLUSIVE AND IN LIEU OF ALL OTHERS, WHETHER WRITTEN, ORAL, EXPRESS OR IMPLIED. PERIXX SPECIFICALLY DISCLAIMS ANY AND ALL IMPLIED WARRANTIES, INCLUDING AND WITHOUT LIMITATION, WARRANTIES OF MERCHANTABILITY AND FITNESS FOR A PARTICULAR PURPOSE. NO PERIXX DEALER, AGENT, OR EMPLOYEE IS AUTHORIZED TO MAKE ANY MODIFICATION, EXTENTION OR ADDITION TO THIS WARRANTY. PERIXX IS NOT RESPONSIBLE FOR SPECIAL, INCIDENTAL OR CONSEQUENTIAL DAMAGES RESULTING FROM ANY BREACH OF WARRANTY, OR UNDER ANY LEGAL THEORY, INCLUDING BUT NOT LIMITED TO LOST PROFITS, DOWNTIME, GOODWILL, DAMAGE TO OR REPLACEMENT OF EQUIPMENT OR PROPERTY AND ANY COST OF RECOVERING, REPROGRAMMING OR REPLRODUCING ANY PROGRAM OR DATA STORED IN OR USED WITH PERIXX PRODUCTS. PERIXX'S MAXIMUM LIABILITY FOR ANY AND ALL DAMAGES ARISING OUT OF USE OF THE PRODUCT SHALL BE LIMITED TO THE AMOUNTS PAID BY PURCHASER FOR SUCH PRODUCT.



Caution

- The manufacturer and re-resellers are not responsible for any malfunctions, damage, or personal injury incurred by:
 - ▶ A misuse of the product
 - ▶ Any attempt to dismantle, change or modify the product in any manner
- You are cautioned that changes or modifications not expressly approved by the party responsible for the compliance could void your authority to operate the equipment.
- Mandatory repair charges are required for the following conditions, within the guarantee period:
 - ▶ Malfunction or damage is due to misuse or improper alteration or repair.
 - ▶ Malfunction or damage caused by the falling after the purchase.
 - ▶ Malfunction or damage is caused by a fire, salt, gas, earthquake, lightning, wind, water, or other natural calamities, or abnormal voltage.
 - ▶ Malfunction or damage is caused by other devices connected to the keyboard.
- All brand names, trademarks and logos are the properties of their respective owners.

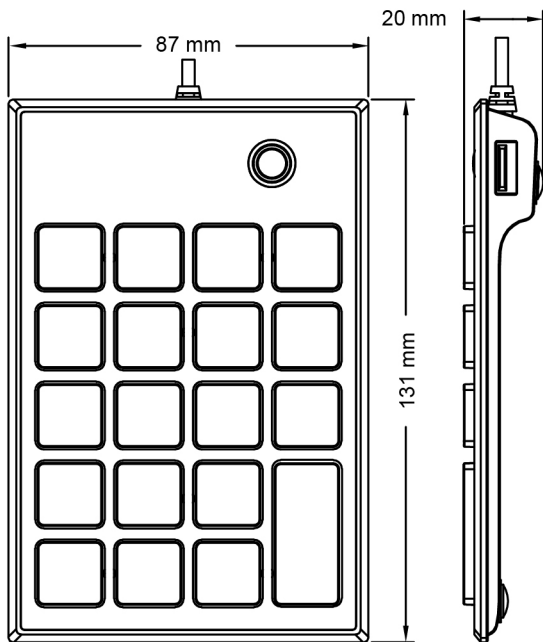
Please Note:

Long-term repetitive use of any product could cause injury to user. Perixx recommends users avoid excessive use of this or any keyboard.

perixx

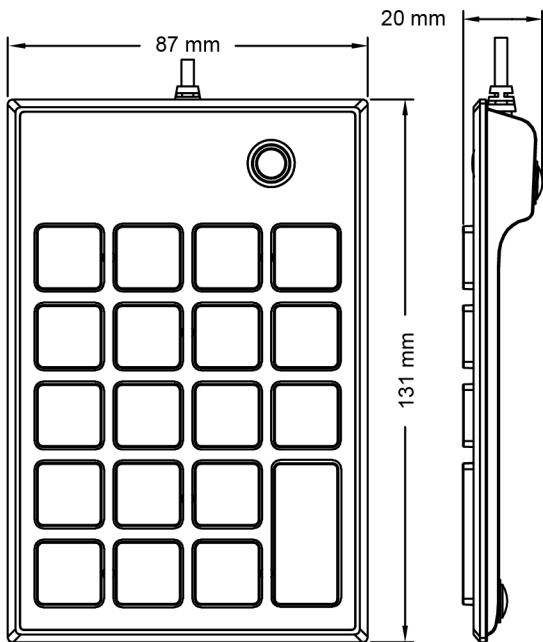
Product Illustration

PERIPAD-202 H



perixx

PERIPAD-202 U

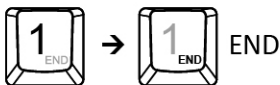
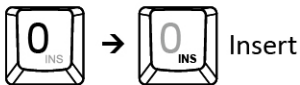
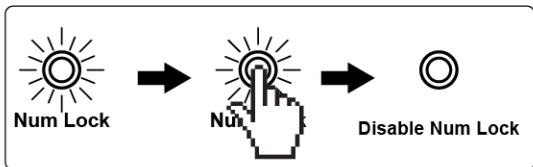


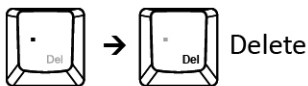
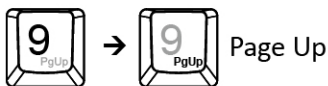


Product Specification

Color	Black or White
Electrical Rating	10mA
Operating Voltage	3.3VDC
Interface	USB2.0/1.1
Size	131*87*20mm
Cable Length	800mm
Weight	125g
Material	ABS
OS requirement	Win XP and above
Key number	19Keys

Disable Num Lock







English(US/UK)

Introduction

PERIPAD is an ideal solution for home and office needs. It is easy to install and use with Digital Multimedia Applications such as Media Center PC, Home Theater PC, Internet TV, and Car PC.

System Requirements

- Operating System:
Microsoft Windows XP/Vista/7/8/10
- 1 x Free USB Port

Deutsch (DE)

Einleitung

Das PERIPAD ist eine ideale Lösung für Heim und Mobile Anwendungen. Es lässt sich einfach installieren und kann mit Digitale Multimedia Anwendungen, Media Center PCs, Heim-Kino PCs, Internet TV, und Car PCs genutzt werden.

System Voraussetzungen

- Betriebssysteme:
Microsoft Windows XP/Vista/7/8/10
- 1 x freier USB Port



Español (ES)

Introducción

PERIPAD es la solución ideal para redes móviles y domésticas. Es fácil de instalar y de usar con conectividad inalámbrica para aplicaciones digitales multimedia, centros multimedia en ordenador, ordenadores Home Theater, televisión por Internet y ordenadores para automóvil.

Requisitos del sistema

- Sistema operativo:
Microsoft Windows XP/Vista/7/8/10
- 1 puerto USB libre

Français (FR)

Introduction

PERIPAD est une solution idéale pour les besoins de réseau à domicile et mobile. Facile à installer, il utilise la connectivité sans fil pour les applications numériques multimédia, les médiathèques, les home cinéma, la TV par Internet et les cars PC.

Configuration requise

- Systèmes d'exploitation :
Microsoft Windows XP/Vista/7/8/10
- 1 x Port USB libre

Italiano (IT)

Introduzione

PERIPAD è una soluzione ideale per le necessità delle reti domestiche e di medie dimensioni. È facile da installare e utilizzare con connettività wireless per applicazioni multimediali digitali, PC media center, PC home theater, TV via Internet e PC portatili per auto.

Requisiti di sistema

- Sistema operativo:
Microsoft Windows XP/Vista/7/8/10
- 1 porta USB libera

Nederlands (NL)

Inleiding

PERIPAD is een ideale oplossing voor thuis en kantoor. Het is eenvoudig te installeren en te gebruiken met digitale multimedietoepassingen als Media Center PC, Home Theater PC, Internet TV en Car PC.

Systeemvereisten

- Besturingssysteem:
Microsoft Windows XP/Vista/7/8/10
- 1 x vrije USB-poort



PORTUGUÊS (PT)

Introdução

PERIPAD é a solução ideal para as necessidades das redes domésticas e móveis. É de fácil instalação e pode ser usado com ligações sem fios para Aplicações Multimédia Digitais, Media Center PC's, Home Theater PC's, Internet TV e Car PC's.

Requisitos de Sistema

- Sistema Operativo:
Microsoft Windows XP/Vista/7/8/10
- 1x Porta USB livre

日本語 (JP)

製品紹介

PERIPADは家庭及びモバイル式のネットワークのニーズにとって理想的な解決策です。簡単に装置しワイヤレスでデジタルマルチメディアアプリケーション、メディアセンターパソコン、ホームシアターパソコン、インターネットテレビ、そして車載パソコンと接続することができる。

必要な環境

- OS環境: Microsoft Windows XP/Vista/7/8/10
- 1 x Free USBポート



简中 (SC)

簡介

PERIPAD為公司和家庭使用者提供一個完美的解決方案。安裝簡單，讓使用者可以立即搭配數位多媒體使用，如：多媒體電腦、家庭電影院、網路電視和車用電腦。

系統需求

- 作業系統：微軟 XP/Vista/7/8/10
- 1個USB埠

繁中 (TC)

簡介

PERIPAD為公司和家庭使用者提供一個完美的解決方案。安裝簡單，讓使用者可以立即搭配數位多媒體使用，如：多媒體電腦、家庭電影院、網路電視和車用電腦

系統需求

- 作業系統：微軟 Windows XP/Vista/7/8/10
- 1 個USB 埠

Heerdter Landstrasse 189e,
40549 Düsseldorf, Germany
Tel: +49211-56948800
Fax: +49211-569488-22

Declaration of Conformity

Manufacturer's Name: Perixx Computer GmbH
Manufacturer's Address: Heerdter Landstrasse 189e,
40549 Düsseldorf, Germany

Declares that the product:

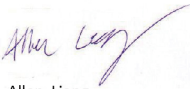
Product Name: Numeric Keypad
Model Name: PERIPAD-202

Conforms to the following standards:

EN 55022: 2006 + A1: 2007,
EN 55024: 1998 + A1: 2001 + A2: 2003,
EN 61000-3-2: 2006 + A1: 2009 + A2: 2009,
EN 61000-3-3: 2008

**The product is in conformity with the requirements of the
Low-Voltage Directive (73 / 23 / EEC) and the EMC Directive (89 / 336 /
EEC)**

Perixx Computer GmbH



Allen Liang

Date: 04. July, 2014

Perixx Computer GmbH

Heerdter Landstrasse 189 e
40549 Düsseldorf
Germany

Tel.: +49 - 211 - 56 94 88 - 0
Fax: +49 - 211 - 56 94 88 22

petiXX

VALUE
CREATOR