



OfficePal C30/C30M

Manual

Specifications

General:	OfficePal C30	OfficePal C30M
■ Foam Type:	High-Density Mould Shaping Foam (Seat Base)	
■ Foam Density:	45 kg/m ³	
■ Frame Construction:	Nylon	Nylon
■ Seat Cover Material:	Mesh (Backrest) & Fabric (Seat Base)	Mesh
■ Color Versions:	Black	Grey
■ Adjustable Armrests:	3D	3D
■ Armrest Pad Size (L x W):	25 x 9 cm	25 x 9 cm
■ Mechanism:	Wireline Control Mechanism	Wireline Control Mechanism
■ Tilt Lock:	✓	✓
■ Tilt Angle Lock:	✓	✓
■ Adjustable Tilt Angle:	0° - 35°	0° - 35°
■ Gas Lift Piston:	Class 4	Class 4
■ Seat Back Style:	High-Back	High-Back
■ Adjustable Headrest:	3D	3D
■ Adjustable Backrest :	5 Heights	5 Heights
■ Base Type:	Nylon Five-Star Base	Nylon Five-Star Base
■ Wheel Size:	60 mm	60 mm
■ Assembly Required:	✓	✓

Safety Certifications:

■ Chair (General):	DIN EN 1335-1/2	DIN EN 1335-1/2
■ Gas Lift Piston:	DIN EN 16955	DIN EN 16955

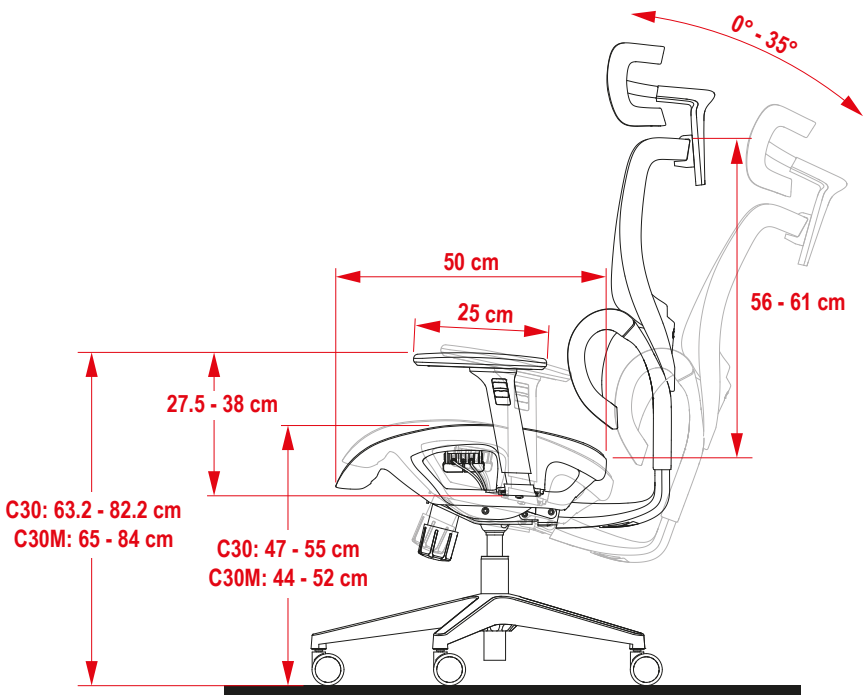
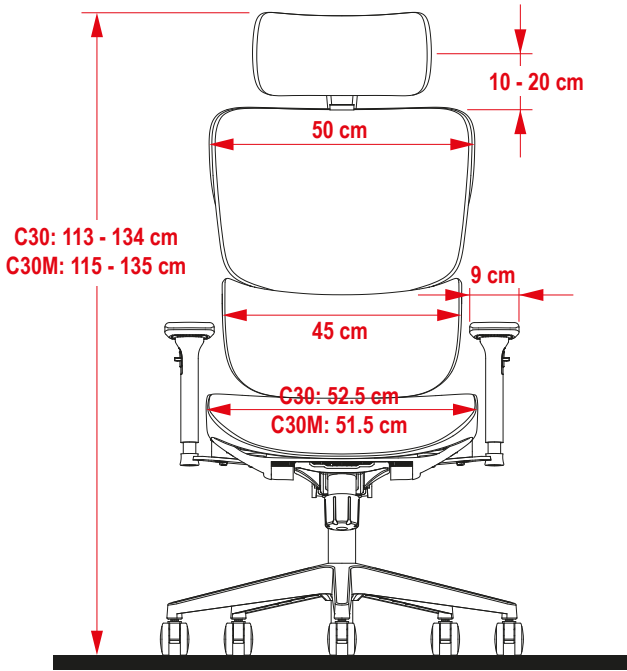
Weight & Dimensions:

■ Seating Size (W x D):	52.5 x 50 cm	51.5 x 50 cm
■ Maximum Seating Height:	55 cm	52 cm
■ Minimum Seating Height:	47 cm	44 cm
■ Max. Armrest Height from Floor:	82.2 cm	84 cm
■ Min. Armrest Height from Floor:	63.2 cm	65 cm
■ Backrest Height:	56 - 61 cm	56 - 61 cm
■ Backrest Shoulder Width:	50 cm	50 cm
■ Weight:	16.7 kg	16.1 kg
■ Max. Height of Recommended User:	190 cm	190 cm
■ Max. Weight Capacity:	120 kg	120 kg

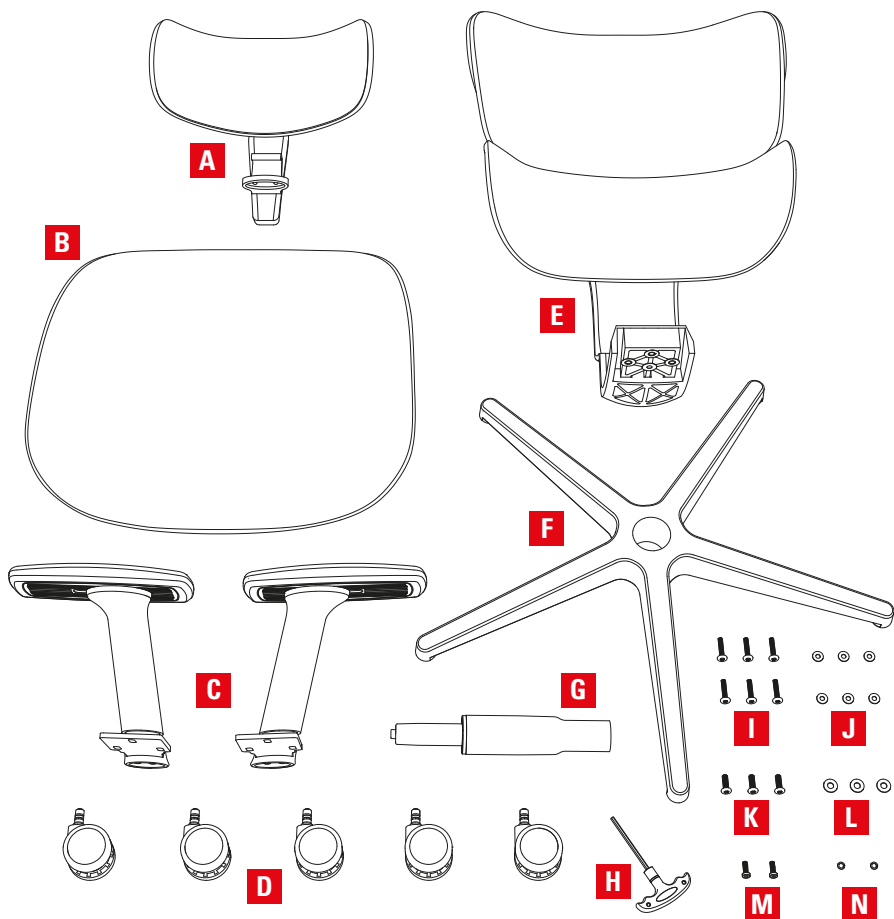
Package Contents:

■ OfficePal C30 / OfficePal C30M, Accessory Set	
---	--

Dimensions



Package Contents



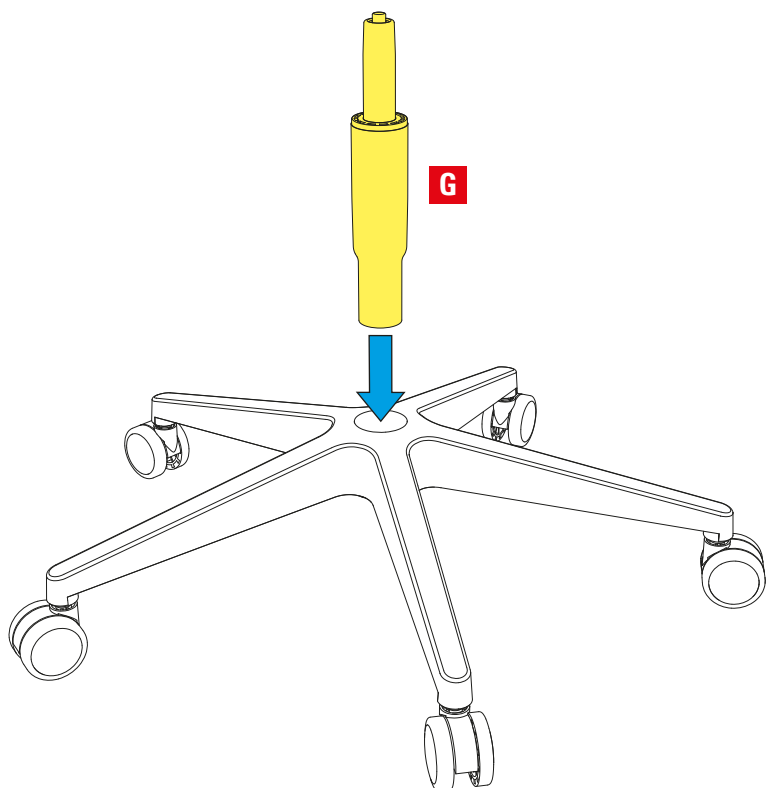
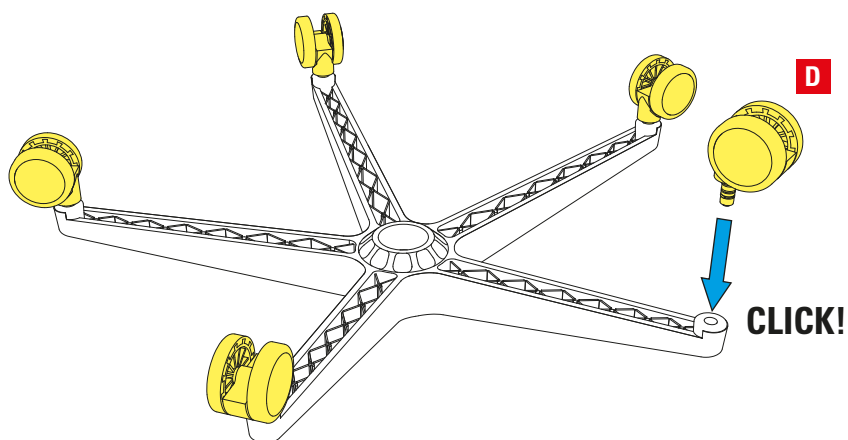
- A** 1x Headrest
- B** 1x Seat base
- C** 2x Armrest
- D** 5x 60 mm wheel
- E** 1x Backrest
- F** 1x Five-star base
- G** 1x Gas lift piston

- H** 1x Hex key
- I** 6x M6 x 30 mm screw
- J** 6x Washer
- K** 3x M8 x 20 mm screw
- L** 3x Washer
- M** 2x M6 x 17 mm screw
- N** 2x Spring washer

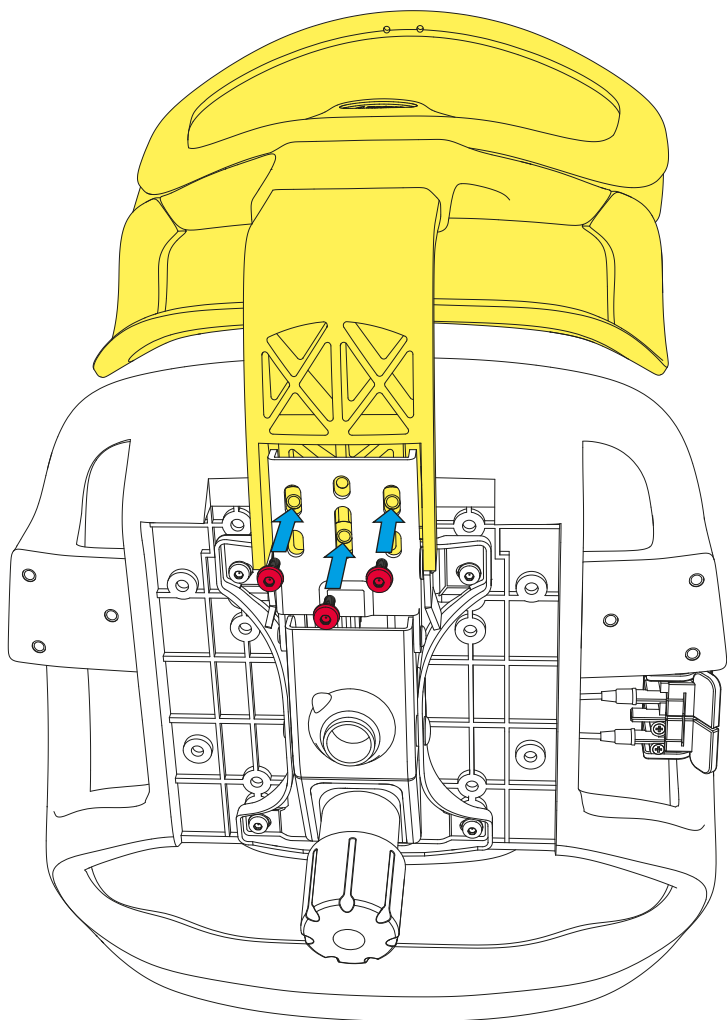
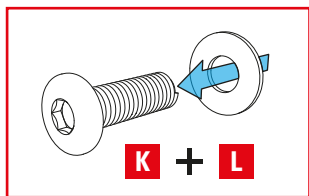
Safety Instructions

1. We recommend that the chair be assembled with the help of a second person.
2. To avoid any possibility of the chair tipping over, ensure that the weight on the chair is evenly distributed.
3. Ensure you keep your feet on the ground at all times.
Do not sit on the armrests.
4. Do not place heavy objects on the chair and do not use it as a ladder.
5. Avoid direct sunlight to ensure plastic components do not become brittle.
6. Do not use aggressive cleaning agents to clean the chair.
7. The chair is classified as a type-C office work chair.
8. Attention! Only instructed personnel should exchange or work on the chair adjustment elements.
9. We recommend using the chair only on standard, even floor surfaces and only indoors.
10. Ensure that all parts are intact and properly installed. Incorrect installation may result in injury. Damaged parts can affect safety and function.
11. Do not use the chair when parts are damaged or missing.
Damaged parts can affect safety and function.
12. Never stand on the chair, use as a ladder, climbing aid or the like.
13. Keep small parts and packaging away from children.
There is a risk of suffocation!
14. The chair is not a children's toy. Keep babies and toddlers away from the swivel chair.
15. With sensitive hard floors (e.g. laminate, cork, parquet), use a commercially available floor protection mat.
16. The manufacturer assumes no liability for direct damage or consequential damage resulting from improper use or non-observance of the instructions.
17. The chair is durable up to 120 kg.

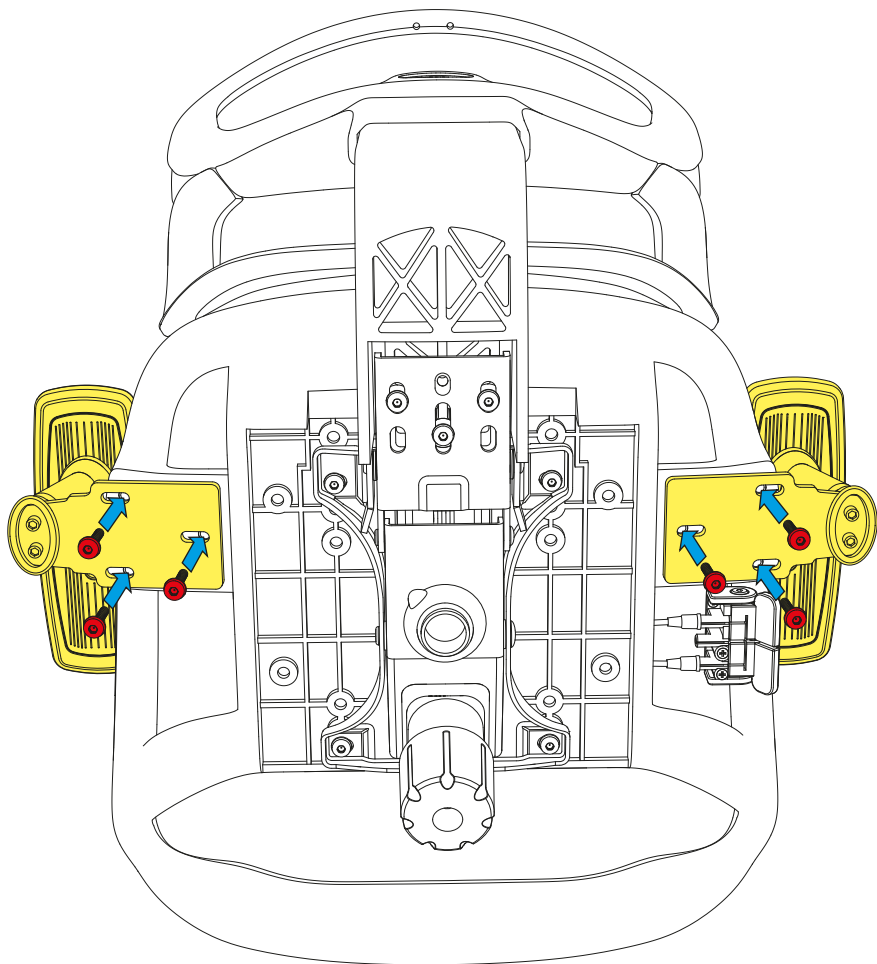
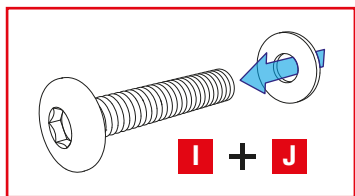
Five-Star Base and Gas Lift Piston



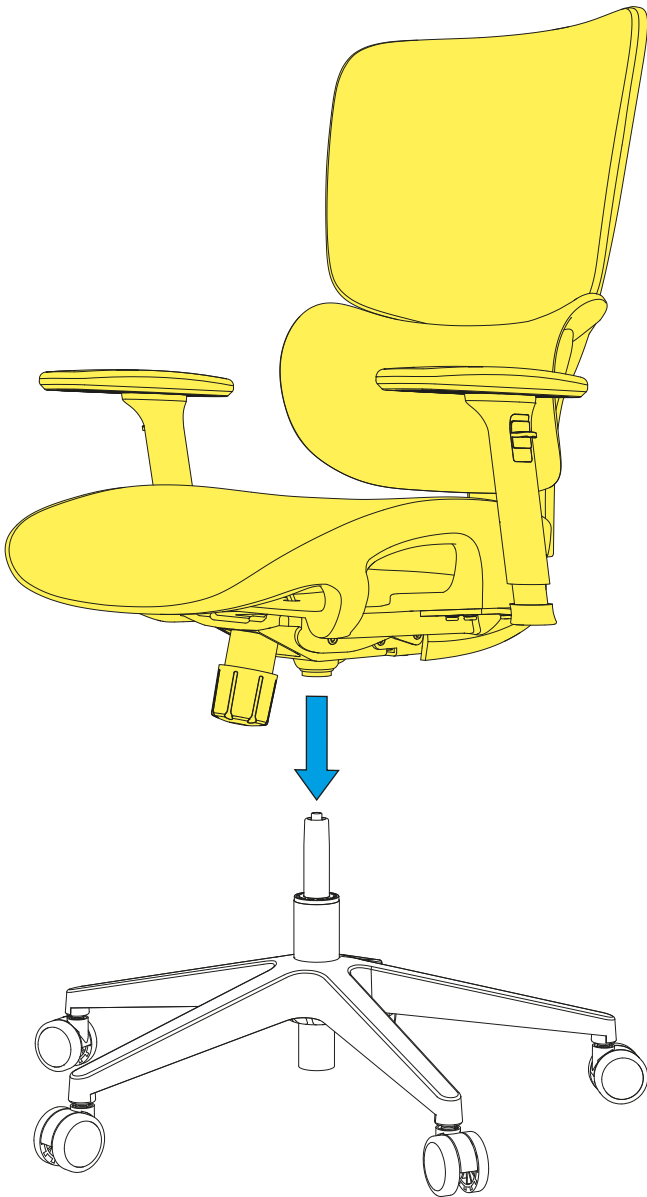
Connect Backrest with Seat Base



Connect Armrests with Seat Base

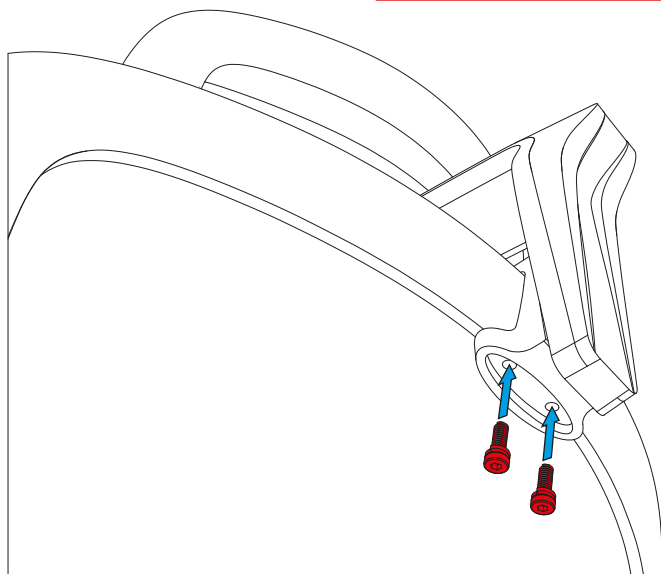
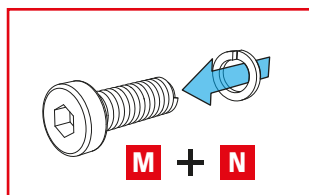
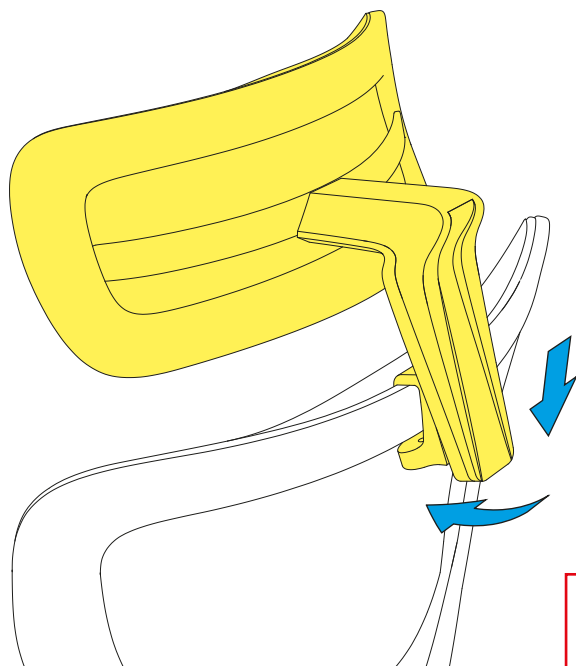


Linking the Parts

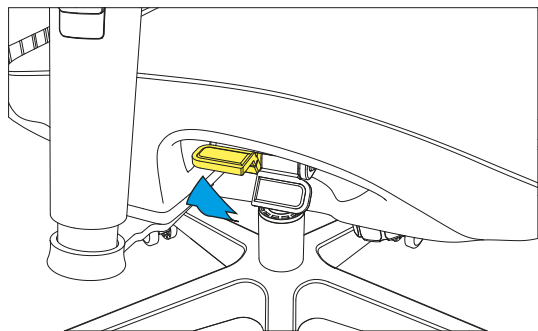
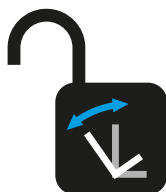
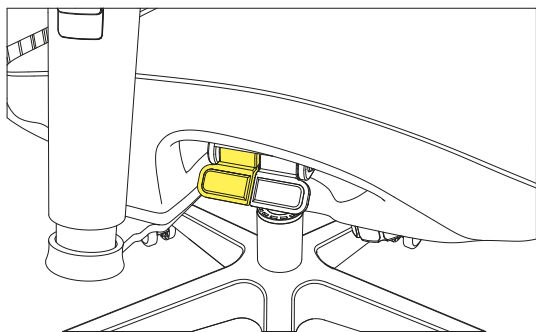
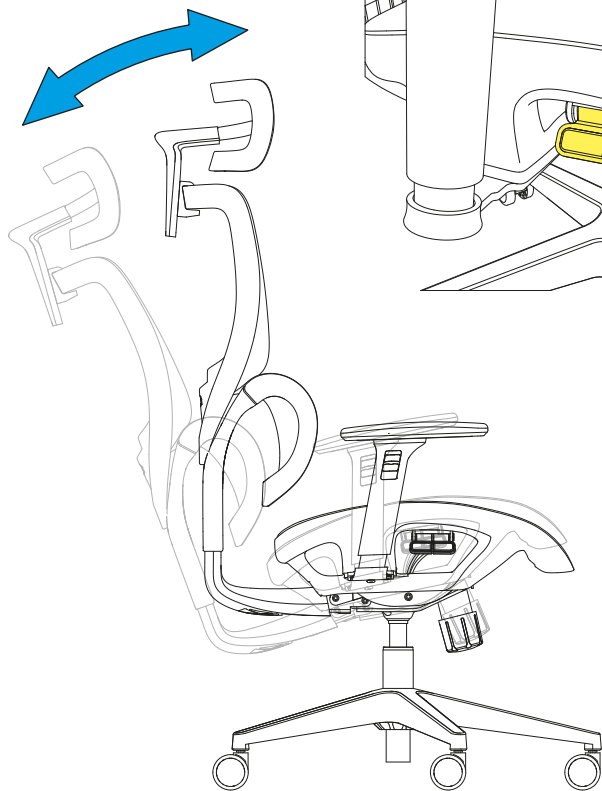


Attention! To avoid damage to property or personal injury, ensure that the gas lift piston and chair mechanism are mounted correctly!

Connect Headrest with Backrest

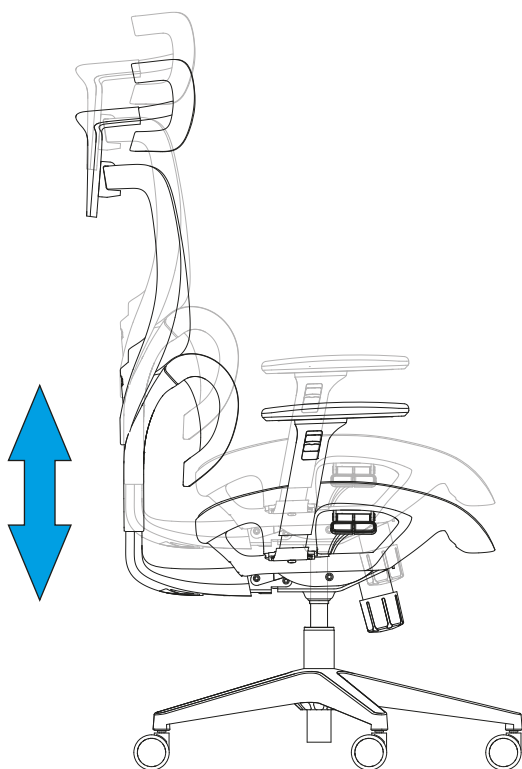
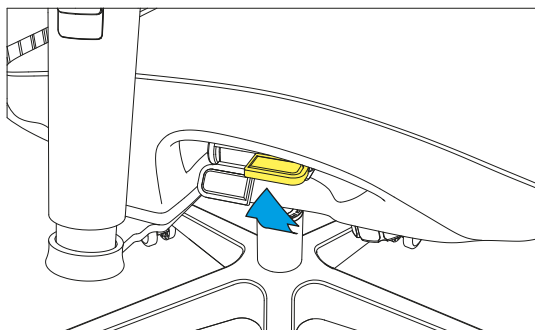


Adjust Tilt



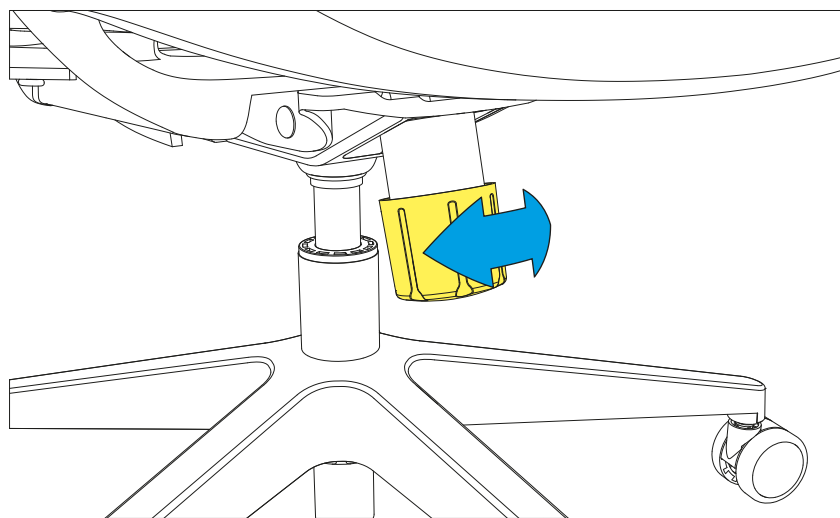
Once unlocked, slight pressure must first be applied to the backrest before the chair is released from the currently locked angle.

Adjust Chair Height

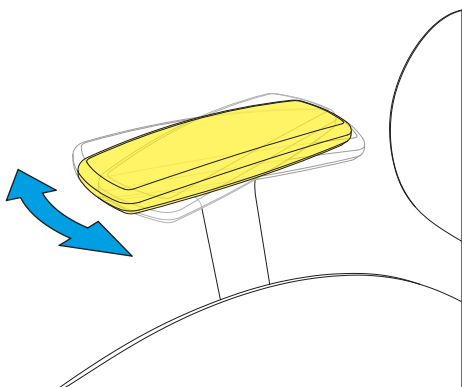
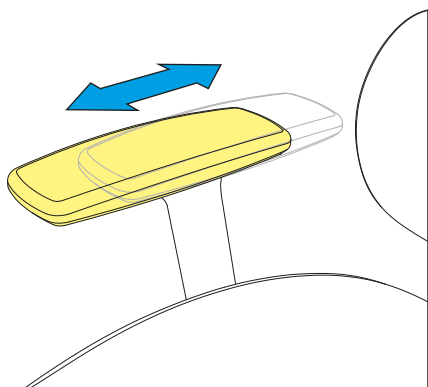
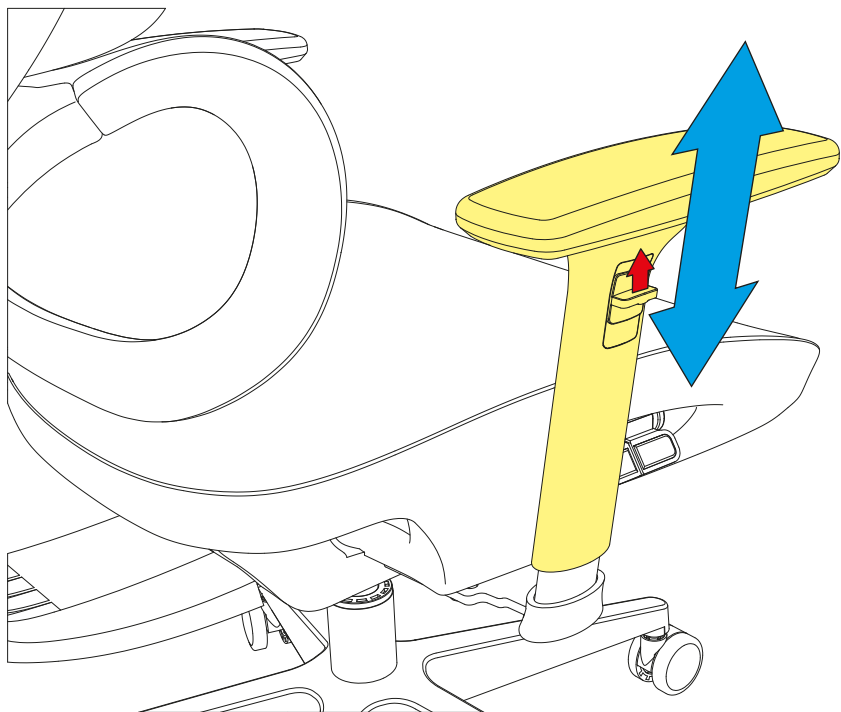


The chair can only be lowered when there is pressure on the seat base.
The chair can only be raised when there is no pressure on the seat base.

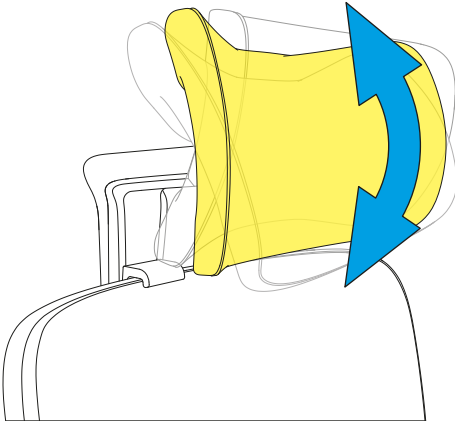
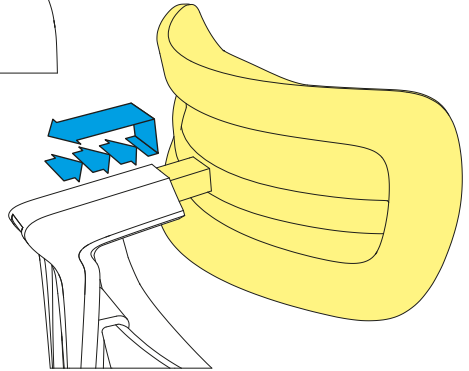
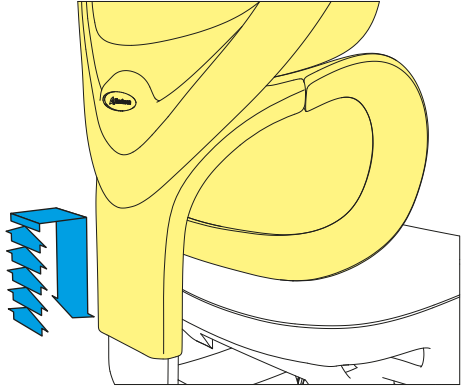
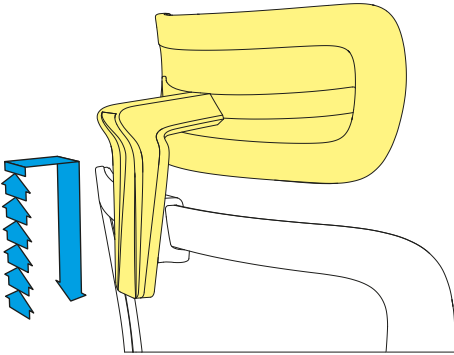
Adjust Tilt Tension



Adjustment of Armrests



Fine Adjustments



Follow us on



Facebook



Instagram



YouTube



TikTok



Twitter

Sharkoon Technologies GmbH

Grüninger Weg 48

35415 Pohlheim

Germany

© **Sharkoon Technologies 2023**

ERC