



User Manual

HOME



NOCTUA NV-FM1
Pivoting multi-purpose fan mount
for 120 & 140mm fans

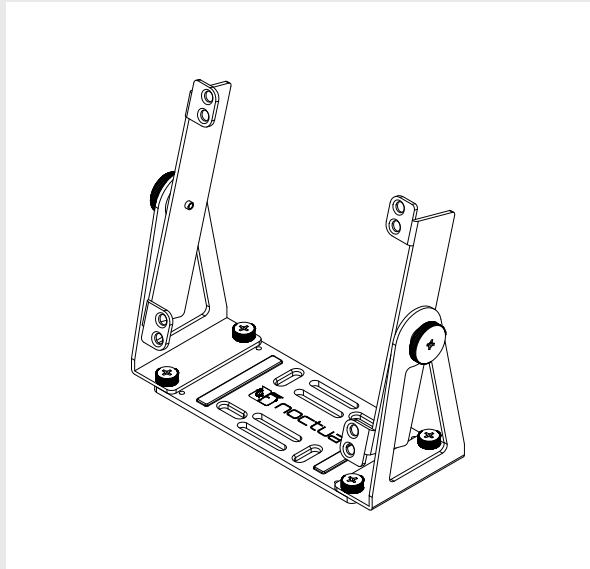
NOCTUA NV-FM1

Pivoting multi-purpose fan mount for 120 & 140mm fans

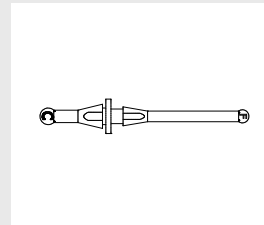
The NV-FM1 is a highly versatile, pivoting multi-purpose mount for 120 and 140mm fans. It cannot only be used as a simple stand on desks or other level surfaces, but can also be fixed to walls, ceilings, furniture, or other objects using the screw-mounting holes and zip-tie slits at the base.

From desk and ceiling fans to cabinet ventilation and parts cooling in 3D printing, and from providing extra airflow to heating appliances such as convection heaters or ovens for improved energy efficiency, to cooling off devices such as routers or switches, anything is possible!

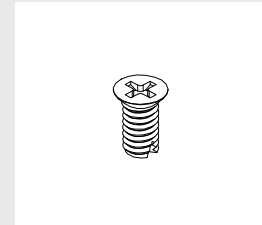
Included parts



NV-FM1
multi-purpose fan mount



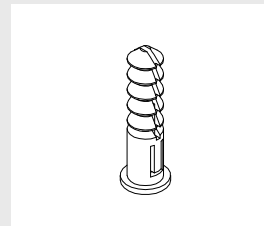
4x NA-AV2



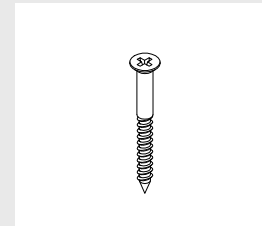
4x fan screws



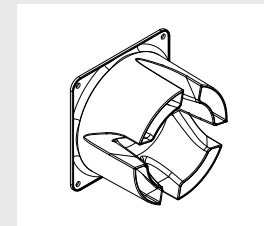
4x zip ties



4x wall plugs



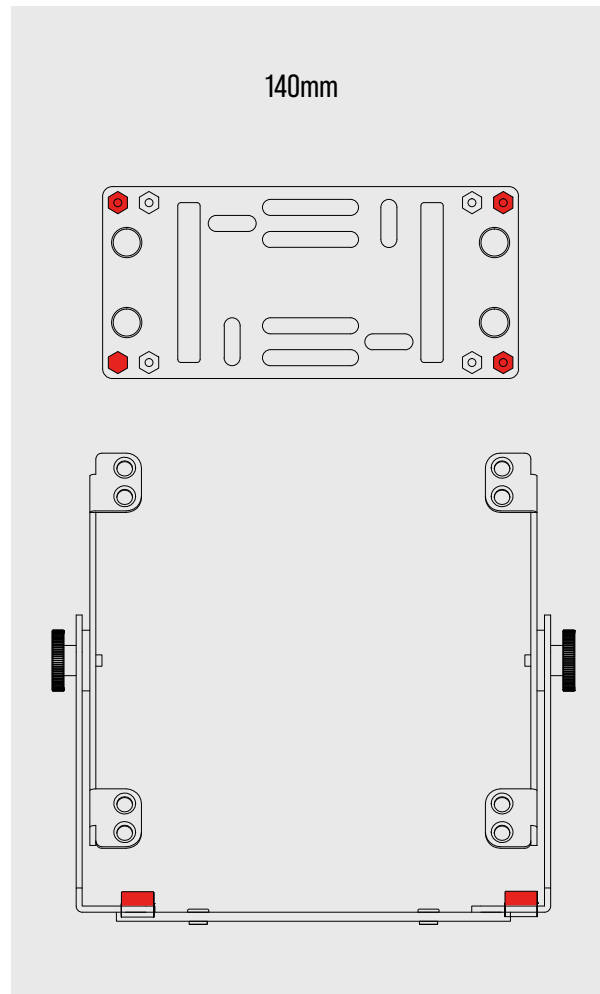
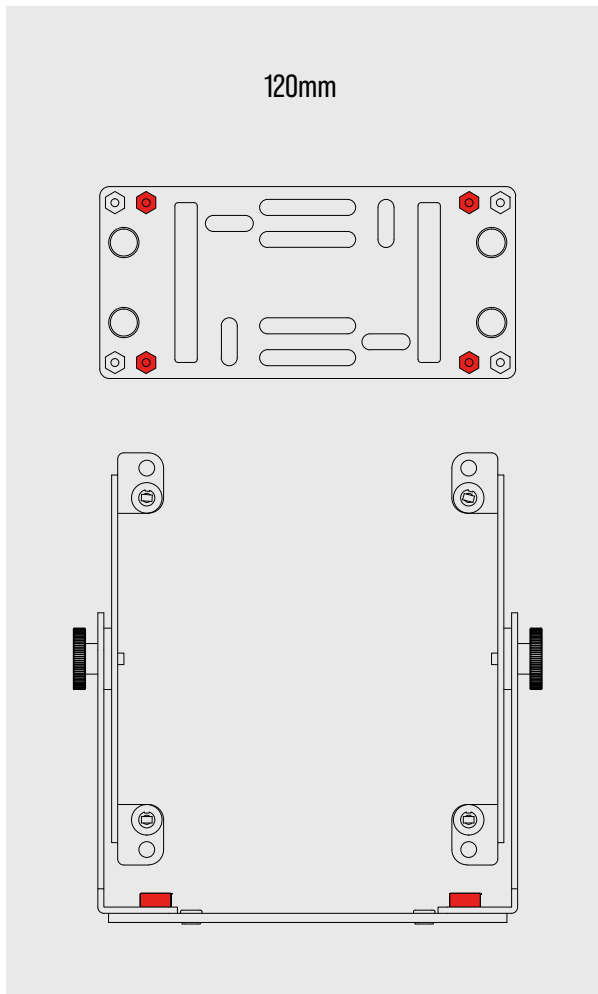
4x mounting screws



NA-AA1-12 airflow amplifier
(available separately)

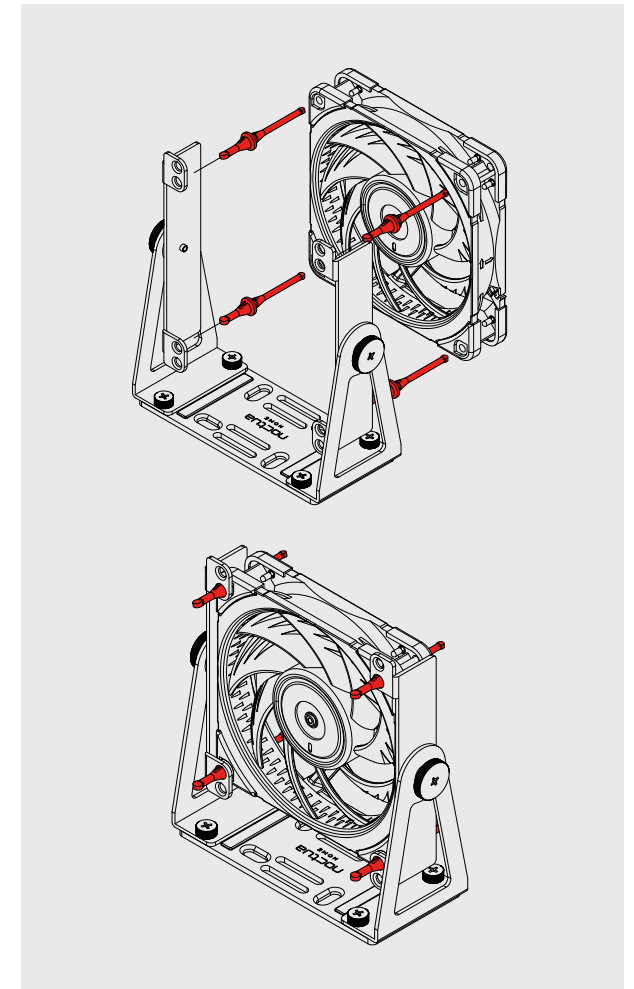
Adjusting the NV-FM1 for 140/120mm fans

The NV-FM1 comes pre-configured for use with 120mm fans. To adjust it for 140mm models, loosen the 4 thumbscrews on the base, adjust the position of the two side brackets so that their mounting holes align with the holes in the base marked "140mm", and then re-screw the brackets to the base.



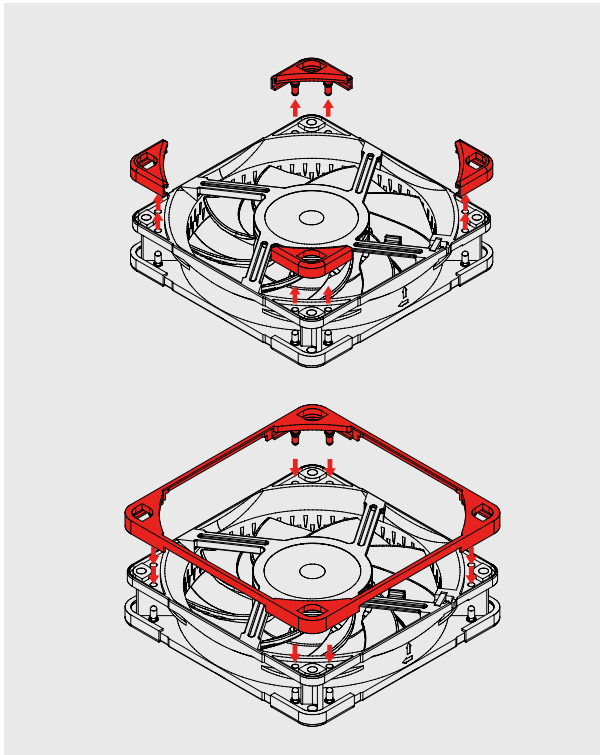
Fan installation

Use the supplied NA-AV2 anti-vibration mounts or screws for installing a fan. The fan can be installed on either side of the mounting bracket, depending on your preferences.

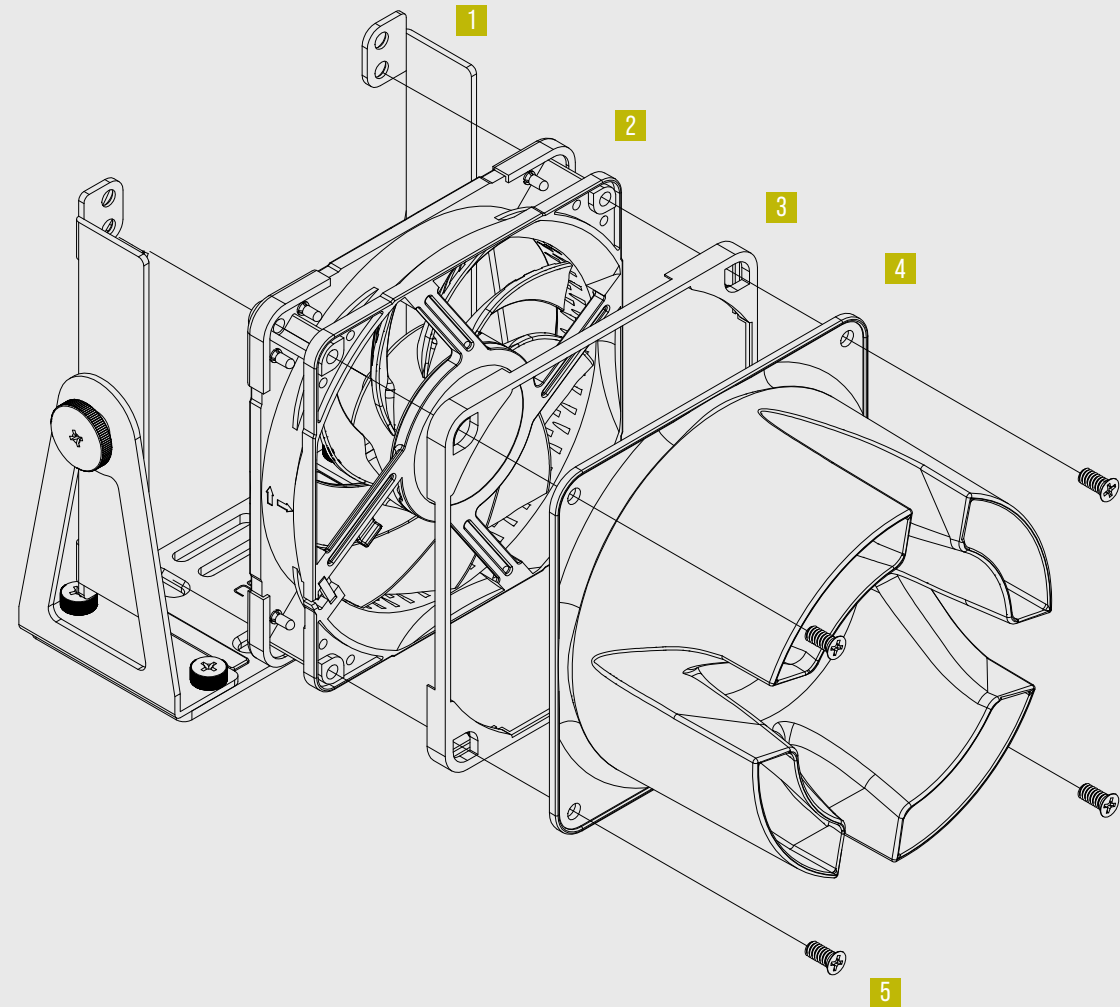


Attaching the NV-AA1-12 airflow amplifier

For installing an NF-A12x25 fan with the optional NV-AA1-12 airflow amplifier, please first replace the anti-vibration pads on the outlet side of the fan with the anti-vibration gasket that came with the fan.



Then, screw the NV-AA1-12 to the fan, and the entire assembly to the NV-FM1.

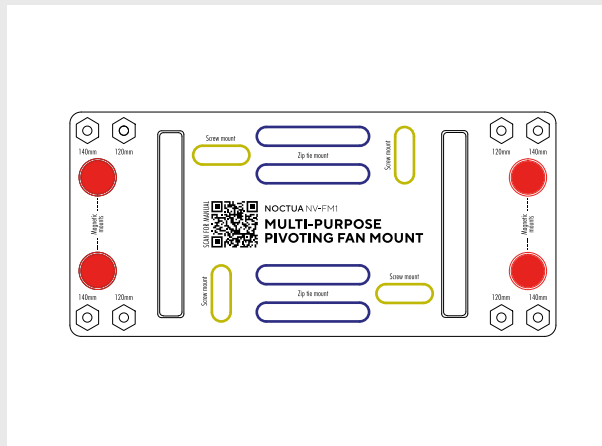


- 1 NV-FM1 multi-purpose fan mount
- 2 NF-A12x25 premium fan
- 3 NA-SAVG1 anti-vibration gasket
- 4 NA-AA1-12 airflow amplifier
- 5 Fan screws

Fixing the NV-FM1

The NV-FM1 can be fixed using the integrated magnets, screws or zip ties.

Please note that it is the sole responsibility of the customer to ensure that the NV-FM1 is properly fixed. Always choose a way of fixing that is suitable for the particular application and environment! Be extra careful when fixing the NV-FM1 in positions where improper fixation may cause it to fall down (e.g. ceilings, walls).



1 Screw mounting holes **3** Magnets

2 Zip tie mounting slots

Magnetic mounting

Simply put the NV-FM1 onto any flat, magnetic surface (e.g. flat steel panels, etc.) for it to be held in place by the magnets that are integrated into the base.

Do not use the magnetic mounting on surfaces warmer than 90°C or if the NV-FM1 has been exposed to temperatures of 90°C or higher as this can reduce the strength of the magnets.

Make sure that the surface the NV-FM1 is fixed to is flat. The holding power of the magnets may not be sufficient on non-level surfaces.

Zip tie mounting

The zip tie mounting option is particularly useful when installing the NV-FM1 to round objects such as posts, rods or pipes as well as to grills of various types.

Insert the supplied zip ties through the zip tie mounting slots, and wrap them around or through the object you want to install the NV-FM1 to. Then tighten the zip ties.

Screw mounting

Screw-fix the NV-FM1 to your mounting surface through the screw mounting holes.

The NV-FM1 includes standard universal screws and wall plugs that work well with many common wall and ceiling types such as typical brick, concrete or plasterboard setups. The screws can also be used with wood. However, please always double check suitability for your mounting situation and verify that the screws sit firmly after installation. Use custom screws and/or plugs if necessary.

Use 6mm diameter drills when drilling holes for the supplied wall plugs.

Adjust the position of the screws in the slotted mounting holes if you want to turn the NV-FM1 slightly.

Warranty & support

Even with high-grade products and strict quality control, the possibility of defects cannot be eliminated entirely. Therefore, we aim at providing the highest possible level of reliability and convenience by offering a warranty period of 6 years and direct, fast and straightforward RMA service.

Should you encounter any problems with your NV-FM1, please don't hesitate to contact our support team at support@noctua.at.

Please also consult the FAQ section on our website: [faq.noctua.at](https://www.noctua.at/faq)