



# CorePro LEDspot LV

## CorePro LED spot ND 5-35W MR16 827 36D

CorePro LEDspots are a perfect fit for spot lighting and deliver warm halogen-like light. They are compatible with most existing fixtures with MR16 GU5.3 holders and are designed as a retrofit replacement for halogen or incandescent spots. LEDlamps deliver huge energy savings and minimize maintenance cost.

### Product data

General Information	
Cap base	GU5.3 [ GU5.3]
Nominal lifetime (nom.)	15000 h
Switching cycle	50000X
Technical type	5-35W
Light Technical	
Colour code	827 [ CCT of 2700K]
Beam Angle (Nom)	36 °
Luminous flux (nom.)	345 lm
Luminous flux (rated) (nom.)	345 lm
Luminous intensity (nom.)	650 cd
Colour designation	Warm white (WW)
Rated beam angle	36 °
Correlated colour temperature (nom.)	2700 K
Luminous efficacy (rated) (nom.)	69.00 lm/W
Colour consistency	<6
Color rendering index (nom.)	80
LLMF at end of nominal lifetime (nom.)	70 %
Luminous Flux in 90° Cone (Rated)	345 lm
Operating and Electrical	
Power (Rated) (Nom)	5 W

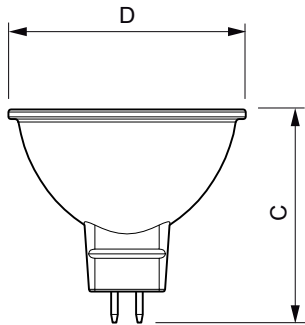
Lamp current (nom.)	575 mA
Wattage equivalent	35 W
Starting time (nom.)	0.5 s
Warm-up time to 60% light (nom.)	0.5 s
Power factor (nom.)	0.6
Voltage (Nom)	12 V
Temperature	
T-Case maximum (nom.)	82 °C
Controls and Dimming	
Dimmable	No
Approval and Application	
Suitable for accent lighting	Yes
Energy efficiency label (EEL)	A+
Energy Consumption kWh/1000 h	6 kWh
Product Data	
Full product code	871869671063000
Order product name	CorePro LED spot ND 5-35W MR16 827 36D
EAN/UPC – product	8718696710630
Order code	71063000

# CorePro LEDspot LV

Numerator – quantity per pack	1
Numerator – packs per outer box	10
Material no. (12NC)	929001344302

Net weight (piece)	0.045 kg
--------------------	----------

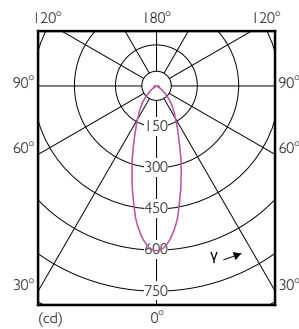
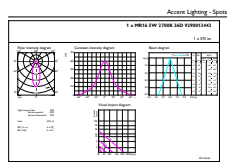
## Dimensional drawing



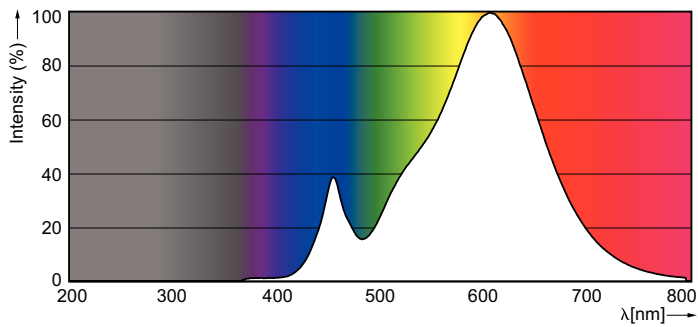
MR16 12V ACV 4.7-35W 390lm 36D 2700K ND

Product	D	C
CorePro LED spot ND 5-35W MR16 827 36D	51 mm	46 mm

## Photometric data

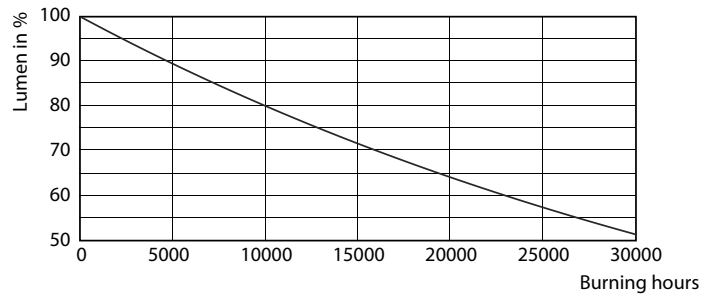
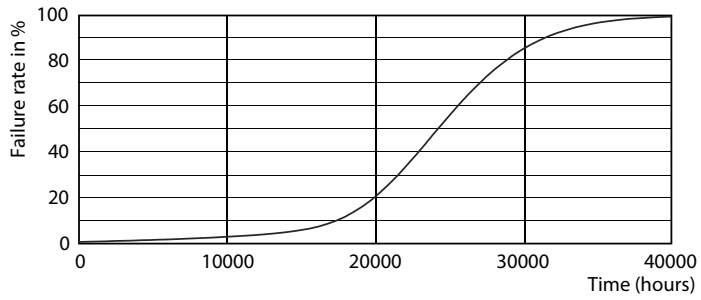


CorePro LEDspot LV 35W GU5-3 827 36D



# CorePro LEDspot LV

## Lifetime



CorePro LEDspotLV 20W GU5-3 827 36D

CorePro LEDspotLV 20W GU5-3 827 36D

