

## PGF32C

### classic

31cm "Domino" Ultra Low Profile Ceramic Hob

EAN13: 8017709138035

- 2 High-light zones
- Front: Ø 1 x 140mm, 1.20 kW
- Rear: Ø 1 x 180mm, 1.80 kW
- 9 power levels
- Residual heat indicators
- St/steel ultra low profile base
- St/steel controls

STANDARD ACCESSORY:

Linea controls

Nominal power: 3.00 kW

13 Amp power supply required

NB: Please note that an extra deep worktop is required should this hob be fitted directly above an oven.

### Options

- LGPGF - Connecting strip

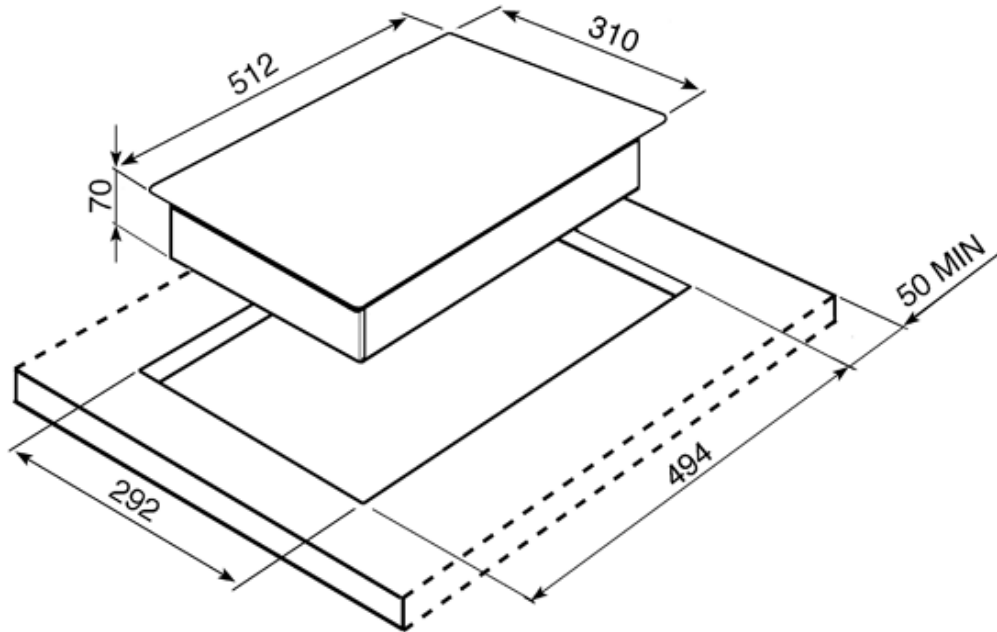




# PGF32C

classic

Domino  
30 cm  
stainless steel  
front controls  
ultra low profile



Smeg (UK) Ltd  
The Magna Building, Wyndyke Furlong, Abingdon  
OX14 1DZ  
Tel. +44 (0)844 557 9907  
Fax +44 (0)844 557 9337