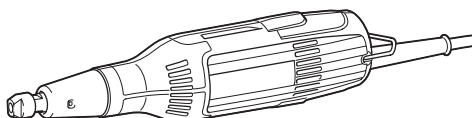




EN	Die Grinder	INSTRUCTION MANUAL	3
FR	Meuleuse droite	MANUEL D'INSTRUCTIONS	7
DE	Geradschleifer	BETRIEBSANLEITUNG	11
IT	Smerigliatrice diritta	ISTRUZIONI PER L'USO	16
NL	Stempelslijpmachine	GEBRUIKSAANWIJZING	20
ES	Rectificador	MANUAL DE INSTRUCCIONES	25
PT	Retificadeira	MANUAL DE INSTRUÇÕES	30
DA	Ligesliber	BRUGSANVISNING	34
EL	Λειαντής	ΕΓΧΕΙΡΙΔΙΟ ΟΔΗΓΙΩΝ	38
TR	Kalıpçı taşlama makinası	KULLANMA KILAVUZU	43

GD0603



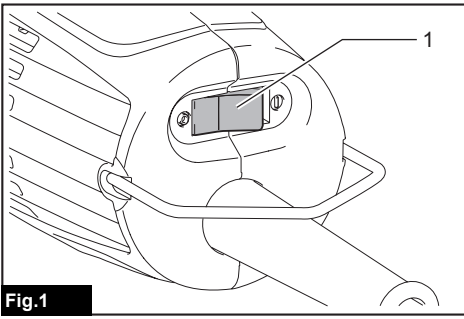


Fig.1

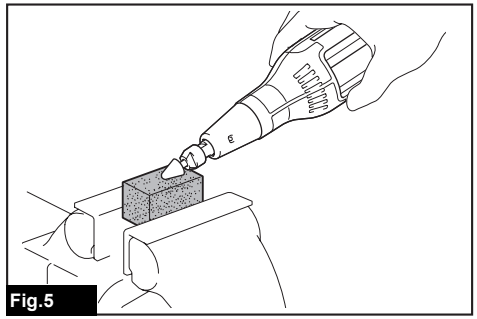


Fig.5

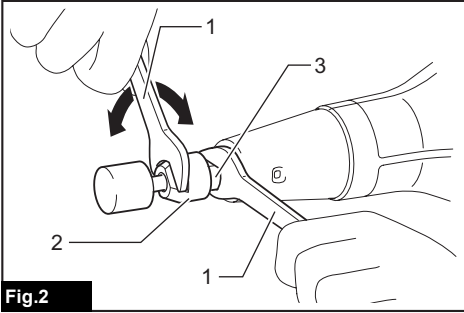


Fig.2

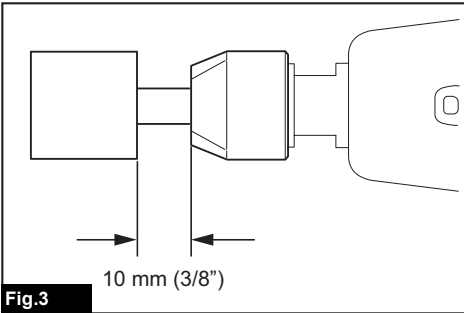


Fig.3

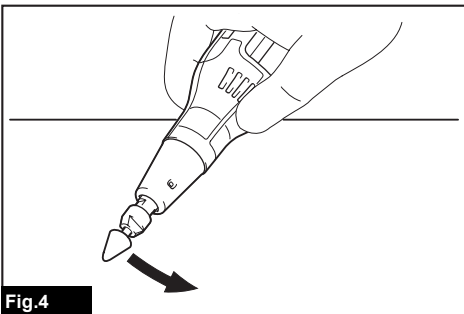


Fig.4

SPECIFICATIONS

Model:		GD0603
Collet size (country specific)		6 mm or 1/4"
Max. wheel point size	Max. wheel diameter	19 mm
	Max. mandrel (shank) length	38 mm
Rated speed (n)/No load speed (n ₀)		28,000 min ⁻¹
Overall length		289 mm
Net weight		0.97 kg
Safety class		□/II

- Due to our continuing program of research and development, the specifications herein are subject to change without notice.
- Specifications may differ from country to country.
- Weight according to EPTA-Procedure 01/2003

Intended use

The tool is intended for grinding ferrous materials or deburring castings.

Power supply

The tool should be connected only to a power supply of the same voltage as indicated on the nameplate, and can only be operated on single-phase AC supply. They are double-insulated and can, therefore, also be used from sockets without earth wire.

Noise

The typical A-weighted noise level determined according to EN60745:

Sound pressure level (L_{pA}) : 76 dB(A)

Uncertainty (K) : 3 dB(A)

The noise level under working may exceed 80 dB (A).

⚠ WARNING: Wear ear protection.

Vibration

The vibration total value (tri-axial vector sum) determined according to EN60745:

Work mode: surface grinding

Vibration emission (a_w) : 2.5 m/s² or less

Uncertainty (K) : 1.5 m/s²

NOTE: The declared vibration emission value has been measured in accordance with the standard test method and may be used for comparing one tool with another.

NOTE: The declared vibration emission value may also be used in a preliminary assessment of exposure.

EC Declaration of Conformity

For European countries only

Makita declares that the following Machine(s):

Designation of Machine: Die Grinder

Model No./ Type: GD0603

Conforms to the following European Directives:

2006/42/EC

They are manufactured in accordance with the following standard or standardized documents: EN60745

The technical file in accordance with 2006/42/EC is available from:

Makita, Jan-Baptist Vinkstraat 2, 3070, Belgium
25.2.2015



Yasushi Fukaya

Director

Makita, Jan-Baptist Vinkstraat 2, 3070, Belgium

General power tool safety warnings

⚠ WARNING: Read all safety warnings and all instructions. Failure to follow the warnings and instructions may result in electric shock, fire and/or serious injury.

Save all warnings and instructions for future reference.

The term "power tool" in the warnings refers to your mains-operated (corded) power tool or battery-operated (cordless) power tool.

Die grinder safety warnings

Safety Warnings Common for Grinding Operation:

1. **This power tool is intended to function as a grinder. Read all safety warnings, instructions, illustrations and specifications provided with this power tool.** Failure to follow all instructions listed below may result in electric shock, fire and/

or serious injury.

2. **Operations such as sanding, wire brushing, polishing or cutting-off are not recommended to be performed with this power tool.** Operations for which the power tool was not designed may create a hazard and cause personal injury.
3. **Do not use accessories which are not specifically designed and recommended by the tool manufacturer.** Just because the accessory can be attached to your power tool, it does not assure safe operation.
4. **The rated speed of the accessory must be at least equal to the maximum speed marked on the power tool.** Accessories running faster than their rated speed can break and fly apart.
5. **The outside diameter and the thickness of your accessory must be within the capacity rating of your power tool.** Incorrectly sized accessories cannot be adequately controlled.
6. **The arbour size of accessories must properly fit the collet of the power tool.** Accessories that do not match the mounting hardware of the power tool will run out of balance, vibrate excessively and may cause loss of control.
7. **Mandrel mounted accessories must be fully inserted into the collet or chuck.** If the mandrel is insufficiently held and/or the overhang of the wheel is too long, the mounted accessory may become loose and be ejected at high velocity.
8. **Do not use a damaged accessory. Before each use inspect the accessory such as abrasive wheels for chips and cracks. If power tool or accessory is dropped, inspect for damage or install an undamaged accessory. After inspecting and installing an accessory, position yourself and bystanders away from the plane of the rotating accessory and run the power tool at maximum no-load speed for one minute.** Damaged accessories will normally break apart during this test time.
9. **Wear personal protective equipment. Depending on application, use face shield, safety goggles or safety glasses. As appropriate, wear dust mask, hearing protectors, gloves and workshop apron capable of stopping small abrasive or workpiece fragments.** The eye protection must be capable of stopping flying debris generated by various operations. The dust mask or respirator must be capable of filtering particles generated by your operation. Prolonged exposure to high intensity noise may cause hearing loss.
10. **Keep bystanders a safe distance away from work area. Anyone entering the work area must wear personal protective equipment.** Fragments of workpiece or of a broken accessory may fly away and cause injury beyond immediate area of operation.
11. **Hold power tool by insulated gripping surfaces only, when performing an operation where the cutting accessory may contact hidden wiring or its own cord.** Cutting accessory contacting a "live" wire may make exposed metal parts of the power tool "live" and could give the operator an electric shock.
12. **Always hold the tool firmly in your hand(s) during the start-up.** The reaction torque of the motor, as it accelerates to full speed, can cause the tool to twist.
13. **Use clamps to support workpiece whenever practical. Never hold a small workpiece in one hand and the tool in the other hand while in use.** Clamping a small workpiece allows you to use your hand(s) to control the tool. Round material such as dowel rods, pipes or tubing have a tendency to roll while being cut, and may cause the bit to bind or jump toward you.
14. **Position the cord clear of the spinning accessory.** If you lose control, the cord may be cut or snagged and your hand or arm may be pulled into the spinning accessory.
15. **Never lay the power tool down until the accessory has come to a complete stop.** The spinning accessory may grab the surface and pull the power tool out of your control.
16. **After changing the bits or making any adjustments, make sure the collet nut, chuck or any other adjustment devices are securely tightened.** Loose adjustment devices can unexpectedly shift, causing loss of control, loose rotating components will be violently thrown.
17. **Do not run the power tool while carrying it at your side.** Accidental contact with the spinning accessory could snag your clothing, pulling the accessory into your body.
18. **Regularly clean the power tool's air vents.** The motor's fan will draw the dust inside the housing and excessive accumulation of powdered metal may cause electrical hazards.
19. **Do not operate the power tool near flammable materials.** Sparks could ignite these materials.
20. **Do not use accessories that require liquid coolants.** Using water or other liquid coolants may result in electrocution or shock.

Kickback and Related Warnings

Kickback is a sudden reaction to a pinched or snagged rotating accessory. Pinching or snagging causes rapid stalling of the rotating accessory which in turn causes the uncontrolled power tool to be forced in the direction opposite of the accessory's rotation.

For example, if an abrasive wheel is snagged or pinched by the workpiece, the edge of the wheel that is entering into the pinch point can dig into the surface of the material causing the wheel to climb out or kick out. The wheel may either jump toward or away from the operator, depending on direction of the wheel's movement at the point of pinching. Abrasive wheels may also break under these conditions.

Kickback is the result of power tool misuse and/or incorrect operating procedures or conditions and can be avoided by taking proper precautions as given below.

1. **Maintain a firm grip on the power tool and position your body and arm to allow you to resist kickback forces.** The operator can control kickback forces, if proper precautions are taken.
2. **Use special care when working corners, sharp edges etc. Avoid bouncing and snagging the accessory.** Corners, sharp edges or bouncing have a tendency to snag the rotating accessory and cause loss of control or kickback.

3. **Do not attach a toothed saw blade.** Such blades create frequent kickback and loss of control.
4. **Always feed the bit into the material in the same direction as the cutting edge is exiting from the material (which is the same direction as the chips are thrown).** Feeding the tool in the wrong direction causes the cutting edge of the bit to climb out of the work and pull the tool in the direction of this feed.

Safety Warnings Specific for Grinding:

1. **Use only wheel types that are recommended for your power tool and only for recommended applications.**
2. **Do not position your hand in line with and behind the rotating wheel. When the wheel, at the point of operation, is moving away from your hand, the possible kickback may propel the spinning wheel and the power tool directly at you.**

Additional Safety Warnings:

1. **The tool is intended for use with bonded abrasive wheel points (grinding stones) permanently mounted on plain, unthreaded mandrel (shanks).**
2. **Make sure the wheel is not contacting the workpiece before the switch is turned on.**
3. **Before using the tool on an actual workpiece, let it run for a while. Watch for vibration or wobbling that could indicate poor installation or a poorly balanced wheel.**
4. **Use the specified surface of the wheel to perform the grinding.**
5. **Watch out for flying sparks. Hold the tool so that sparks fly away from you and other persons or flammable materials.**
6. **Do not leave the tool running. Operate the tool only when hand-held.**
7. **Do not touch the workpiece immediately after operation; it may be extremely hot and could burn your skin.**
8. **Observe the instructions of the manufacturer for correct mounting and use of wheels. Handle and store wheels with care.**
9. **Check that the workpiece is properly supported.**
10. **If working place is extremely hot and humid, or badly polluted by conductive dust, use a short-circuit breaker (30 mA) to assure operator safety.**
11. **Do not use the tool on any materials containing asbestos.**
12. **Always be sure you have a firm footing. Be sure no one is below when using the tool in high locations.**

SAVE THESE INSTRUCTIONS.

⚠WARNING: DO NOT let comfort or familiarity with product (gained from repeated use) replace strict adherence to safety rules for the subject product. **MISUSE** or failure to follow the safety rules stated in this instruction manual may cause serious personal injury.

FUNCTIONAL DESCRIPTION

⚠CAUTION: Always be sure that the tool is switched off and unplugged before adjusting or checking function on the tool.

Switch action

⚠CAUTION: Before plugging in the tool, always check to see that the tool is switched off.

To start the tool, move the switch to the "I" (on) position. To stop, move the switch to the "O" (off) position.

► Fig.1: 1. Switch

ASSEMBLY

⚠CAUTION: Always be sure that the tool is switched off and unplugged before carrying out any work on the tool.

Installing or removing wheel point

Optional accessory

⚠CAUTION: Use the correct size collet cone for the wheel point which you intend to use.

NOTICE: Do not tighten the collet nut without inserting a wheel point. Otherwise it can lead to breakage of the collet cone.

Loosen the collet nut counterclockwise and insert the wheel point into the collet nut. Use one wrench to hold the spindle. With using another wrench, turn the collet nut clockwise to tighten securely.

► Fig.2: 1. Wrench 2. Collet nut 3. Spindle

The wheel point should not be mounted more than 10 mm from the collet nut. Exceeding this distance could cause vibration or a broken shaft.

► Fig.3

OPERATION

⚠CAUTION: Apply light pressure on the tool. Excessive pressure on the tool will only cause a poor finish and overloading of the motor.

⚠CAUTION: The wheel point continues to rotate after the tool is switched off.

► Fig.4

Turn the tool on without the wheel point making any contact with the workpiece and wait until the wheel point attains full speed. Then apply the wheel point to the workpiece gently. To obtain a good finish, move the tool in the leftward direction slowly.

MAINTENANCE

⚠ CAUTION: Always be sure that the tool is switched off and unplugged before attempting to perform inspection or maintenance.

NOTICE: Never use gasoline, benzine, thinner, alcohol or the like. Discoloration, deformation or cracks may result.

Dressing wheel point

Optional accessory

When the wheel point becomes "loaded" with various bits and particles, you should dress the wheel point with the dressing stone.

► Fig.5

To maintain product SAFETY and RELIABILITY, repairs, any other maintenance or adjustment should be performed by Makita Authorized or Factory Service Centers, always using Makita replacement parts.

OPTIONAL ACCESSORIES

⚠ CAUTION: These accessories or attachments are recommended for use with your Makita tool specified in this manual. The use of any other accessories or attachments might present a risk of injury to persons. Only use accessory or attachment for its stated purpose.

If you need any assistance for more details regarding these accessories, ask your local Makita Service Center.

- Wheel points
- Collet cone set (3 mm, 6 mm, 1/4", 1/8")
- Wrench 10
- Dressing stone

NOTE: Some items in the list may be included in the tool package as standard accessories. They may differ from country to country.

SPÉCIFICATIONS

Modèle :		GD0603
Taille du mandrin (propre au pays)		6 mm ou 1/4"
Taille max. de la meule sur tige	Diamètre max. de la meule	19 mm
	Longueur max. du mandrin (tige)	38 mm
Vitesse nominale (n)/Vitesse à vide (n ₀)		28 000 min ⁻¹
Longueur totale		289 mm
Poids net		0,97 kg
Catégorie de sécurité		II

- Étant donné l'évolution constante de notre programme de recherche et de développement, les spécifications contenues dans ce manuel sont sujettes à modification sans préavis.
- Les spécifications peuvent varier suivant les pays.
- Poids selon la procédure EPTA 01/2003

Utilisations

L'outil est conçu pour le meulage des matériaux ferreux et pour l'ébavurage des pièces moulées.

Alimentation

L'outil ne devra être raccordé qu'à une alimentation de la même tension que celle qui figure sur la plaque signalétique, et il ne pourra fonctionner que sur un courant secteur monophasé. Réalisé avec une double isolation, il peut de ce fait être alimenté par une prise sans mise à la terre.

Bruit

Niveau de bruit pondéré A typique, déterminé selon EN60745 :
 Niveau de pression sonore (L_{pA}) : 76 dB (A)
 Incertitude (K) : 3 dB (A)
 Le niveau de bruit en fonctionnement peut dépasser 80 dB (A).

AVERTISSEMENT : Portez un serre-tête antibruit.

Vibrations

Valeur totale de vibrations (somme de vecteur triaxial) déterminée selon EN60745 :
 Mode de travail : meulage de surface
 Émission de vibrations (a_h) : 2,5 m/s² ou moins
 Incertitude (K) : 1,5 m/s²

NOTE : La valeur d'émission de vibrations déclarée a été mesurée conformément à la méthode de test standard et peut être utilisée pour comparer les outils entre eux.

NOTE : La valeur d'émission de vibrations déclarée peut aussi être utilisée pour l'évaluation préliminaire de l'exposition.

Déclaration de conformité CE

Pour les pays européens uniquement

Makita déclare que la ou les machines suivantes :
 Désignation de la machine : Meuleuse droite
 N° de modèle/Type : GD0603
 sont conformes aux Directives européennes suivantes : 2006/42/CE
 et sont fabriquées conformément aux normes ou aux documents normalisés suivants : EN60745
 La documentation technique conforme à la norme 2006/42/CE est disponible auprès de :
 Makita, Jan-Baptist Vinkstraat 2, 3070, Belgique
 22,1,2015

Yasushi Fukaya

Yasushi Fukaya
 Directeur
 Makita, Jan-Baptist Vinkstraat 2, 3070, Belgique

Consignes de sécurité générales pour outils électriques

AVERTISSEMENT : Lisez toutes les consignes de sécurité et toutes les instructions. Il y a risque d'électrocution, d'incendie et/ou de graves blessures si les mises en garde et les instructions ne sont pas respectées.

Conservez toutes les mises en garde et instructions pour référence ultérieure.

Le terme « outil électrique » dans les avertissements fait référence à l'outil électrique alimenté par le secteur (avec cordon d'alimentation) ou à l'outil électrique fonctionnant sur batterie (sans cordon d'alimentation).

Consignes de sécurité pour meuleuse droite

Consignes de sécurité courantes pour les opérations de meulage :

- 1. Cet outil électrique est conçu pour l'utilisation en tant que meuleuse. Veuillez consulter les consignes de sécurité, les instructions, les illustrations et les spécifications fournies avec cet outil électrique.** Le non-respect de toutes les instructions indiquées ci-dessous peut entraîner une électrocution, un incendie et/ou de graves blessures.
- 2. Il n'est pas recommandé d'effectuer des opérations telles que le ponçage, le brossage métallique, le polissage ou le tronçonnage à l'aide de cet outil électrique.** L'exécution d'opérations pour lesquelles l'outil électrique n'a pas été conçu est dangereuse et peut entraîner des blessures.
- 3. N'utilisez pas d'accessoires qui n'ont pas été conçus spécifiquement et recommandés par le fabricant de l'outil.** Même si un accessoire peut être fixé sur l'outil électrique, cela ne garantit pas qu'il fonctionnera de manière sûre.
- 4. La vitesse nominale de l'accessoire doit être au moins égale à la vitesse maximale indiquée sur l'outil électrique.** Les accessoires peuvent se casser et voler en éclats s'ils tournent plus vite que leur vitesse nominale.
- 5. Le diamètre externe et l'épaisseur de l'accessoire ne doivent pas dépasser la capacité nominale de l'outil électrique.** La maîtrise d'accessoires de format incorrect ne peut être garantie.
- 6. L'orifice des accessoires doit s'insérer parfaitement sur le mandrin de l'outil électrique.** Des accessoires inadaptés au matériel de montage de l'outil électrique présenteront un déséquilibre et des vibrations excessives, et risquent d'entraîner une perte de contrôle de l'outil.
- 7. Les accessoires montés sur mandrin doivent être complètement insérés dans le mandrin ou le porte-outil.** Si le mandrin n'est pas assez retenu et/ou le porte-à-faux de la meule est trop long, l'accessoire fixé peut se détacher et être éjecté à grande vitesse.
- 8. N'utilisez pas d'accessoire endommagé. Avant chaque utilisation, assurez-vous qu'il n'y a pas de copeaux, de fissures ou autres anomalies sur les accessoires tels que les meules abrasives.** Si vous lâchez l'outil électrique ou un accessoire, vérifiez qu'il n'est pas endommagé ou posez un accessoire en bon état. Après avoir vérifié et posé un accessoire, assurez-vous que personne, y compris vous-même, ne se trouve dans la trajectoire de l'accessoire en rotation, et faites tourner l'outil électrique à vitesse maximale sans charge pendant une minute. Si l'accessoire est endommagé, il devrait se rompre lors de ce test.
- 9. Portez un équipement de protection individuelle. Suivant le type de travail à effectuer, portez une visière, des lunettes à coques ou des lunettes de sécurité. Au besoin, portez un masque antipoussières, des protections d'oreilles, des gants et un tablier de travail capable de protéger contre les petits fragments abrasifs ou les fragments de pièce.** Les lunettes de sécurité doivent pouvoir arrêter les débris volants produits par les diverses opérations de la meule. Le masque antipoussières ou le masque filtrant doit pouvoir filtrer les particules générées lors de la tâche. Une exposition prolongée à un bruit d'intensité élevée peut entraîner une perte auditive.
- 10. Les personnes présentes doivent se trouver à une distance sûre de la zone de travail. Toute personne pénétrant dans la zone de travail doit porter un équipement de protection individuelle.** Des fragments de pièce ou un accessoire cassé peuvent être projetés et blesser quelqu'un dans la zone de travail.
- 11. Tenez l'outil électrique par une surface de prise isolée uniquement, lorsque vous effectuez une tâche où l'accessoire de découpe pourrait toucher un câblage caché ou son propre cordon d'alimentation.** Le contact de l'accessoire de coupe avec un fil sous tension peut transmettre du courant dans les pièces métalliques exposées de l'outil électrique et électrocuter l'utilisateur.
- 12. Tenez toujours fermement l'outil dans votre ou vos mains au démarrage.** Le couple de réaction du moteur à mesure qu'il atteint sa pleine vitesse peut faire se tordre l'outil.
- 13. Utilisez des attaches pour soutenir la pièce si possible. Ne tenez jamais une petite pièce d'une main et l'outil de l'autre main en cours d'utilisation.** En attachant une petite pièce, vous pouvez utiliser vos deux mains pour maîtriser l'outil. Les matériaux cylindriques comme les tiges de gouppile, les tuyaux ou les tubes ont tendance à rouler pendant la découpe et peuvent provoquer le coincement de l'embout ou sa projection dans votre direction.
- 14. Placez le cordon d'alimentation à l'écart de l'accessoire en rotation.** En cas de perte de maîtrise, vous risquez, en coupant ou en accrochant le cordon, d'avoir la main ou le bras attiré vers l'accessoire en rotation.
- 15. Ne déposez jamais l'outil électrique avant que l'accessoire ne se soit parfaitement arrêté.** L'accessoire en rotation peut accrocher la surface et projeter l'outil électrique de telle sorte que vous en perdiez la maîtrise.
- 16. Après avoir changé les embouts ou procédé à des réglages, assurez-vous que l'écrou de mandrin, le porte-outil ou tout autre dispositif de réglage est solidement serré.** Des dispositifs de réglage mal serrés peuvent bouger brusquement, provoquant une perte de maîtrise et la projection violente des pièces rotatives détachées.
- 17. Ne laissez pas l'outil électrique tourner en le transportant le long de votre corps.** En cas de contact accidentel avec l'accessoire en rotation, ce dernier risque d'accrocher vos vêtements et d'être entraîné vers votre corps.
- 18. Nettoyez régulièrement les orifices de ventilation de l'outil électrique.** Le ventilateur du moteur aspire les poussières dans le carter ; une accumulation excessive de poussière métallique

- peut entraîner un risque de danger électrique.
19. **N'utilisez pas l'outil électrique près de matériaux inflammables.** Les étincelles risqueraient d'enflammer ces matériaux.
 20. **N'utilisez pas d'accessoires qui requièrent un liquide de refroidissement.** L'utilisation d'eau ou de tout autre liquide de refroidissement peut entraîner l'électrocution ou un choc électrique.

Mises en garde concernant le choc en retour et autres dangers

Le choc en retour est une réaction soudaine qui survient lorsque l'accessoire en rotation se coince ou accroche. Lorsque l'accessoire en rotation se coince ou accroche, il s'arrête soudainement et l'utilisateur perd alors la maîtrise de l'outil électrique qui est projeté dans le sens contraire de sa rotation.

Par exemple, si une meule abrasive est tirée ou coincée par la pièce, le rebord de la meule entrant dans le point de pincement peut accrocher la surface du matériau, entraînant la sortie ou le déchaussement de la meule. La meule peut alors bondir vers l'utilisateur ou en sens opposé, suivant son sens de rotation là où elle s'est coincée. Il y a aussi risque de rupture de la meule abrasive dans ces conditions.

Le choc en retour est le résultat d'une utilisation abusive de l'outil électrique et/ou de l'inobservation des procédures d'utilisation. Il peut être évité en prenant les précautions nécessaires comme indiqué ci-dessous.

1. **Maintenez une poigne ferme sur l'outil électrique et placez votre corps et votre bras de manière à pouvoir résister à la force du choc en retour.** L'utilisateur peut maîtriser la force exercée par le choc en retour s'il prend les précautions nécessaires.
2. **Soyez tout particulièrement prudent lorsque vous travaillez dans les coins, sur des arêtes vives, etc. Évitez de laisser l'accessoire sautiller ou accrocher.** L'accessoire en rotation a tendance à accrocher dans les coins, sur les arêtes vives et lorsqu'il sautille, ce qui comporte un risque de perte de maîtrise ou de choc en retour.
3. **Ne fixez pas une lame de scie dentée.** De telles lames causent fréquemment des chocs en retour et la perte du contrôle.
4. **Faites toujours avancer l'embout dans le matériau dans le même sens que l'arête tranchante qui sort du matériau (qui est le même sens de projection des copeaux).** Faire avancer l'outil dans le mauvais sens fait que l'arête tranchante de l'embout remonte de la pièce et entraîne l'outil dans le sens de cet avancement.

Consignes de sécurité spécifiques au meulage :

1. **Utilisez uniquement les meules recommandées pour votre outil électrique et uniquement pour les applications recommandées.**
2. **Ne placez pas votre main dans l'axe et derrière la meule rotative.** Lorsque la meule, en cours de fonctionnement, s'écarte de votre main, le choc en retour potentiel risque de propulser la meule en rotation et l'outil électrique dans votre direction.

Consignes de sécurité supplémentaires :

1. **L'outil est conçu pour être utilisé avec des meules sur tige abrasives à agglomérant (pierre de meulage) montées en permanence sur un mandrin non fileté lisse (tiges).**

2. **Assurez-vous que la meule n'entre pas en contact avec la pièce avant de mettre l'outil sous tension.**
3. **Avant d'utiliser l'outil sur la pièce à travailler, faites-le tourner un instant à vide.** Surveillez les vibrations ou le sautellement, qui peuvent indiquer que la meule n'est pas bien installée ou qu'elle est mal équilibrée.
4. **Utilisez la face spécifiée de la meule pour meuler.**
5. **Prenez garde aux étincelles qui jaillissent.** Tenez l'outil de sorte que les étincelles ne jaillissent pas vers vous, vers une autre personne présente ou vers un matériau inflammable.
6. **N'abandonnez pas l'outil alors qu'il tourne.** Ne faites fonctionner l'outil qu'une fois que vous l'avez bien en main.
7. **Ne touchez jamais la pièce juste après l'exécution du travail ;** elle peut être extrêmement chaude et risque de vous brûler.
8. **Pour installer et utiliser correctement les meules, veuillez suivre les instructions du fabricant.** Manipulez les meules avec soin et rangez-les en lieu sûr.
9. **Assurez-vous que la pièce à travailler est correctement soutenue.**
10. **Si le site de travail est extrêmement chaud et humide ou s'il y a beaucoup de poussières conductrices dans l'air, utilisez un coupe-circuit (30 mA) pour assurer votre sécurité.**
11. **N'utilisez l'outil sur aucun matériau contenant de l'amiante.**
12. **Assurez-vous toujours d'avoir une bonne assise.** Assurez-vous que personne ne se trouve dessous lorsque vous utilisez l'outil en position élevée.

CONSERVEZ CES INSTRUCTIONS.

⚠ AVERTISSEMENT : NE vous laissez PAS tromper (au fil d'une utilisation répétée) par un sentiment d'aisance et de familiarité avec le produit, en négligeant le respect rigoureux des consignes de sécurité qui accompagnent le produit en question. La MAUVAISE UTILISATION de l'outil ou l'ignorance des consignes de sécurité indiquées dans ce mode d'emploi peut entraîner de graves blessures.

DESCRIPTION DU FONCTIONNEMENT

⚠ ATTENTION : Assurez-vous toujours que l'outil est hors tension et débranché avant de l'ajuster ou de vérifier son fonctionnement.

Interrupteur

⚠ ATTENTION : Avant de brancher l'outil, assurez-vous toujours que son interrupteur est en position d'arrêt.

Pour démarrer l'outil, placez l'interrupteur sur la position « I » (marche). Pour l'arrêter, déplacez-le sur la position « O » (arrêt).

► Fig.1: 1. Interrupteur

ASSEMBLAGE

⚠ ATTENTION : Avant d'effectuer toute intervention sur l'outil, assurez-vous toujours qu'il est hors tension et débranché.

Pose et dépose de la meule sur tige

Accessoire en option

⚠ ATTENTION : Utilisez un cône de mandrin dont la taille correspond à celle de la meule sur tige que vous prévoyez d'utiliser.

REMARQUE : Ne serrez pas l'écrou de mandrin sans insérer une meule sur tige. Le cône de mandrin risquerait de se rompre.

Desserrez l'écrou du mandrin dans le sens inverse des aiguilles d'une montre et insérez la meule sur tige à l'intérieur. Utilisez une clé pour tenir l'axe. En utilisant une autre clé, tournez l'écrou de mandrin dans le sens des aiguilles d'une montre pour serrer solidement.

► Fig.2: 1. Clé 2. Écrou de mandrin 3. Axe

La meule sur tige ne doit pas être montée à plus de 10 mm de l'écrou de mandrin. Si vous dépassez cette distance, vous risquez de provoquer des vibrations ou de rompre l'arbre.

► Fig.3

UTILISATION

⚠ ATTENTION : N'exercez qu'une pression légère sur l'outil. Si vous appuyez trop, vous aurez une finition défectueuse et une surcharge du moteur.

⚠ ATTENTION : La meule sur tige continue à tourner quand l'outil est éteint.

► Fig.4

Mettez l'outil sous tension sans que la meule sur tige touche la pièce à travailler et attendez qu'elle ait atteint sa pleine vitesse. Appliquez alors doucement la meule sur tige sur la pièce. Pour obtenir une finition parfaite, déplacez votre outil lentement vers la gauche.

ENTRETIEN

⚠ ATTENTION : Assurez-vous toujours que l'outil est hors tension et débranché avant d'y effectuer tout travail d'inspection ou d'entretien.

REMARQUE : N'utilisez jamais d'essence, benzine, diluant, alcool ou autre produit similaire. Cela risquerait de provoquer la décoloration, la déformation ou la fissuration de l'outil.

Affûtage de la meule sur tige

Accessoire en option

Lorsque la meule sur tige se trouve encrassée de diverses particules et poussières, il faut l'affûter à l'aide de la pierre d'affûtage.

► Fig.5

Pour assurer la SÉCURITÉ et la FIABILITÉ du produit, toute réparation, tout travail d'entretien ou de réglage doivent être effectués par un centre d'entretien Makita agréé, avec des pièces de rechange Makita.

ACCESSOIRES EN OPTION

⚠ ATTENTION : Ces accessoires ou pièces complémentaires sont recommandés pour l'utilisation avec l'outil Makita spécifié dans ce mode d'emploi. L'utilisation de tout autre accessoire ou pièce complémentaire peut comporter un risque de blessure. N'utilisez les accessoires ou pièces complémentaires qu'aux fins auxquelles ils ont été conçus.

Pour obtenir plus de détails sur ces accessoires, contactez votre centre d'entretien local Makita.

- Meules sur tige
- Jeu de cônes de mandrin (3 mm, 6 mm, 1/4", 1/8")
- Clé 10
- Pierre d'affûtage

NOTE : Il se peut que certains éléments de la liste soient compris dans l'emballage de l'outil en tant qu'accessoires standard. Ils peuvent varier d'un pays à l'autre.

TECHNISCHE DATEN

Modell:		GD0603
Spannzangengröße (länderspezifisch)		6 mm oder 1/4"
Max. Schleifspitzengröße	Max. Schleifraddurchmesser	19 mm
	Max. Spindel-(Schaft)-länge	38 mm
Nenn Drehzahl (n)/Leerlaufdrehzahl (n ₀)		28.000 min ⁻¹
Gesamtlänge		289 mm
Nettogewicht		0,97 kg
Sicherheitsklasse		□/II

- Wir behalten uns vor, Änderungen der technischen Daten im Zuge der Entwicklung und des technischen Fortschritts ohne vorherige Ankündigung vorzunehmen.
- Die technischen Daten können von Land zu Land unterschiedlich sein.
- Gewicht nach EPTA-Verfahren 01/2003

Vorgesehene Verwendung

Das Werkzeug ist für das Schleifen von Eisenmaterial oder das Entgraten von Gussmaterial vorgesehen.

Stromversorgung

Das Werkzeug sollte nur an eine Stromquelle angeschlossen werden, deren Spannung mit der Angabe auf dem Typenschild übereinstimmt, und kann nur mit Einphasen-Wechselstrom betrieben werden. Diese sind doppelt geschützt isoliert und können daher auch an Steckdosen ohne Erdleiter verwendet werden.

Geräusch

Typischer A-bewerteter Geräuschpegel ermittelt gemäß EN60745:

Schalldruckpegel (L_{pA}): 76 dB (A)

Messunsicherheit (K): 3 dB (A)

Der Geräuschpegel kann während des Betriebs 80 dB (A) überschreiten.

⚠️ WARNUNG: Einen Gehörschutz tragen.

Schwingungen

Schwingungsgesamtwert (Drei-Achsen-Vektorsumme) ermittelt gemäß EN60745:

Arbeitsmodus: Oberflächenschleifen

Schwingungsemission (a_w): 2,5 m/s² oder weniger

Messunsicherheit (K): 1,5 m/s²

HINWEIS: Der angegebene

Schwingungsemissionswert wurde im Einklang mit der Standardprüfmethode gemessen und kann für den Vergleich zwischen Werkzeugen herangezogen werden.

HINWEIS: Der angegebene

Schwingungsemissionswert kann auch für eine Vorbewertung des Gefährdungsgrads verwendet werden.

EG-Konformitätserklärung

Nur für europäische Länder

Makita erklärt, dass die folgende(n) Maschine(n):

Bezeichnung der Maschine: Geradschleifer

Modell-Nr./Typ: GD0603

Entspricht den folgenden europäischen Richtlinien:

2006/42/EG

Sie werden gemäß den folgenden Standards oder standardisierten Dokumenten hergestellt: EN60745

Die technische Akte in Übereinstimmung mit 2006/42/

EG ist erhältlich von:

Makita, Jan-Baptist Vinkstraat 2, 3070, Belgien
22,1,2015



Yasushi Fukaya

Direktor

Makita, Jan-Baptist Vinkstraat 2, 3070, Belgien

Allgemeine Sicherheitswarnungen für Elektrowerkzeuge

⚠️ WARNUNG: Lesen Sie alle Sicherheitswarnungen und Anweisungen durch. Eine Missachtung der unten aufgeführten Warnungen und Anweisungen kann zu einem elektrischen Schlag, Brand und/oder schweren Verletzungen führen.

Bewahren Sie alle Warnungen und Anweisungen für spätere Bezugnahme auf.

Der Ausdruck „Elektrowerkzeug“ in den Warnhinweisen bezieht sich auf Ihr mit Netzstrom (mit Kabel) oder Akku (ohne Kabel) betriebenes Elektrowerkzeug.

Sicherheitswarnungen für Geradschleifer

Allgemeine Sicherheitswarnungen für Schleifbetrieb:

- 1. Dieses Elektrowerkzeug ist für den Einsatz als Schleifer vorgesehen. Lesen Sie alle mit diesem Elektrowerkzeug gelieferten Sicherheitswarnungen, Anweisungen, Abbildungen und technischen Daten durch.** Eine Missachtung der unten aufgeführten Anweisungen kann zu einem elektrischen Schlag, Brand und/oder schweren Verletzungen führen.
 - 2. Arbeiten, wie Schleifen, Drahtbürsten, Polieren oder Abschneiden mit diesem Elektrowerkzeug, sind nicht zu empfehlen.** Benutzungsweisen, für die das Elektrowerkzeug nicht ausgelegt ist, können Gefahren erzeugen und Verletzungen verursachen.
 - 3. Verwenden Sie kein Zubehör, das nicht speziell vom Werkzeughersteller vorgesehen ist und empfohlen wird.** Die bloße Tatsache, dass ein Zubehörteil an Ihrem Elektrowerkzeug angebracht werden kann, gewährleistet noch keinen sicheren Betrieb.
 - 4. Die Nenndrehzahl des Zubehörteils muss mindestens der am Elektrowerkzeug angegebenen Maximaldrehzahl entsprechen.** Zubehörteile, die schneller als ihre Nenndrehzahl rotieren, können bersten und auseinander fliegen.
 - 5. Außendurchmesser und Dicke des Zubehörteils müssen innerhalb der Kapazitätsgrenzen Ihres Elektrowerkzeugs liegen.** Zubehörteile der falschen Größe können nicht angemessen kontrolliert werden.
 - 6. Die Spindel von Zubehörteilen muss genau in die Spannzange des Elektrowerkzeugs passen.** Zubehörteile, die nicht genau an den Montageflansch des Elektrowerkzeugs angepasst sind, laufen unruhig, vibrieren übermäßig und können einen Verlust der Kontrolle verursachen.
 - 7. Spindelmontierte Zubehörteile müssen vollständig in die Spannzange oder das Spannfutter eingeführt werden.** Falls die Spindel nicht sicher genug gehalten wird und/oder der Überhang des Schleifrads zu lang ist, kann sich das montierte Zubehörteil lockern und mit hoher Geschwindigkeit weggeschleudert werden.
 - 8. Verwenden Sie keine beschädigten Zubehörteile. Untersuchen Sie das Zubehörteil, wie z. B. eine Schleifscheibe, vor jedem Gebrauch auf Absplinterungen und Risse. Falls das Elektrowerkzeug oder das Zubehörteil herunterfällt, überprüfen Sie es auf Beschädigung, oder montieren Sie ein unbeschädigtes Zubehörteil. Achten Sie nach der Überprüfung und Installation eines Zubehörteils darauf, dass Sie selbst und Umstehende nicht in der Rotationsebene des Zubehörteils stehen, und lassen Sie das Elektrowerkzeug eine Minute lang mit maximaler Leerlaufdrehzahl laufen.** Ein beschädigtes Zubehörteil bricht normalerweise während dieses Probelaufs auseinander.
 - 9. Tragen Sie persönliche Schutzausrüstung.**
- Benutzen Sie je nach der Arbeit einen Gesichtsschutz bzw. eine Sicherheits- oder Schutzbrille. Tragen Sie bei Bedarf eine Staubmaske, Ohrschützer, Handschuhe und eine Arbeitsschürze, die in der Lage ist, kleine Schleifpartikel oder Werkstücksplitter abzuwehren. Der Augenschutz muss in der Lage sein, den bei verschiedenen Arbeiten anfallenden Flugstaub abzuwehren. Die Staubmaske oder Atemschutzmaske muss in der Lage sein, durch die Arbeit erzeugte Partikel herauszufiltern. Lang anhaltende Lärmbelastung kann zu Gehörschäden führen.
- 10. Halten Sie Umstehende in sicherem Abstand vom Arbeitsbereich. Jeder, der den Arbeitsbereich betritt, muss persönliche Schutzausrüstung tragen.** Bruchstücke des Werkstücks oder eines beschädigten Zubehörteils können weggeschleudert werden und Verletzungen über den unmittelbaren Arbeitsbereich hinaus verursachen.
 - 11. Halten Sie das Elektrowerkzeug nur an den isolierten Griffflächen, wenn Sie Arbeiten ausführen, bei denen die Gefahr besteht, dass das Schneidzubehör verborgene Kabel oder das eigene Kabel kontaktiert werden.** Bei Kontakt mit einem Strom führenden Kabel können die freiliegenden Metallteile des Elektrowerkzeugs ebenfalls Strom führend werden, so dass der Benutzer einen elektrischen Schlag erleiden kann.
 - 12. Halten Sie das Werkzeug während des Anlaufs immer mit beiden Händen fest.** Während der Motor auf volle Drehzahl beschleunigt, kann das Reaktionsdrehmoment eine Verdrehung des Werkzeugs verursachen.
 - 13. Stützen Sie das Werkstück mit Klemmen ab, wenn dies durchführbar ist. Halten Sie während des Betriebs niemals ein kleines Werkstück in der einen, und das Werkzeug in der anderen Hand.** Spannen Sie kleine Werkstücke ein, damit Sie das Werkzeug mit beiden Händen unter Kontrolle halten können. Rundmaterial, wie z. B. Dübelstangen, Leitungen oder Rohre, neigt beim Schneiden zum Rollen, was dazu führen kann, dass der Einsatz klemmt oder auf den Bediener zu springt.
 - 14. Halten Sie das Kabel vom rotierenden Zubehörteil fern.** Falls Sie die Kontrolle verlieren, kann das Kabel durchgetrennt oder erfasst werden, so dass Ihre Hand oder Ihr Arm in das rotierende Zubehörteil hineingezogen wird.
 - 15. Legen Sie das Elektrowerkzeug erst ab, nachdem das Zubehörteil zum vollständigen Stillstand gekommen ist.** Anderenfalls kann das rotierende Zubehörteil die Oberfläche erfassen und das Elektrowerkzeug aus Ihren Händen reißen.
 - 16. Nachdem Sie den Einsatz gewechselt oder Einstellungen vorgenommen haben, sollten Sie sich vergewissern, dass die Spannzangmutter, das Spannfutter oder andere Einstellvorrichtungen einwandfrei festgezogen sind.** Lockere Einstellvorrichtungen können unerwartet verrutschen, was zum Verlust der Kontrolle führen kann, und lockere rotierende Komponenten können heftig weggeschleudert werden.

17. **Lassen Sie das Elektrowerkzeug nicht laufen, während Sie es an Ihrer Seite tragen.** Das rotierende Zubehörteil könnte sonst bei versehentlichem Kontakt Ihre Kleidung erfassen und auf Ihren Körper zu gezogen werden.
18. **Reinigen Sie die Ventilationsöffnungen des Elektrowerkzeugs regelmäßig.** Der Lüfter des Motors saugt Staub in das Gehäuse an, und starke Ablagerungen von Metallstaub können elektrische Gefahren verursachen.
19. **Betreiben Sie das Elektrowerkzeug nicht in der Nähe von brennbaren Materialien.** Funken könnten diese Materialien entzünden.
20. **Verwenden Sie keine Zubehörteile, die Kühlfüssigkeiten erfordern.** Die Verwendung von Wasser oder anderen Kühlfüssigkeiten kann zu einem Stromschlag führen.

Warnungen vor Rückschlag und damit zusammenhängenden Gefahren

Rückstoß ist eine plötzliche Reaktion auf ein eingeklemmtes oder stockendes Zubehör. Klemmen oder Hängenbleiben verursacht ruckartiges Stocken des rotierenden Zubehörteils, was wiederum dazu führt, dass das außer Kontrolle geratene Elektrowerkzeug am Stockpunkt in die entgegengesetzte Drehrichtung des Zubehörs geschleudert wird.

Wenn beispielsweise eine Schleifscheibe vom Werkstück erfasst oder eingeklemmt wird, kann sich die in den Klemmpunkt eindringende Schleifscheibenkante in die Materialoberfläche bohren, so dass sie herauspringt oder zurückschlägt. Je nach der Drehrichtung der Schleifscheibe am Klemmpunkt kann die Schleifscheibe auf die Bedienungsperson zu oder von ihr weg springen. Schleifscheiben können unter solchen Bedingungen auch brechen.

Rückschlag ist das Resultat falscher Handhabung des Elektrowerkzeugs und/oder falscher Arbeitsverfahren oder -bedingungen und kann durch Anwendung der nachstehenden Vorsichtsmaßnahmen vermieden werden.

1. **Halten Sie das Elektrowerkzeug mit festem Griff, und positionieren Sie Ihren Körper und Arm so, dass Sie die Rückschlagkräfte auffangen können.** Rückstoßkräfte können kontrolliert werden, wenn entsprechende Vorkehrungen getroffen werden.
2. **Lassen Sie beim Bearbeiten von Ecken und scharfen Kanten usw. besondere Vorsicht walten.** Ecken, scharfe Kanten oder Anstoßen führen leicht zu Hängenbleiben des rotierenden Zubehörteils und verursachen Verlust der Kontrolle oder Rückschlag.
3. **Montieren Sie keine gezahnten Sägeblätter.** Solche Zubehörteile verursachen häufige Rückschläge und Verlust der Kontrolle.
4. **Schieben Sie den Einsatz immer in derselben Richtung in das Material vor, da die Schneidkante aus dem Material austritt (in Flugrichtung der Späne).** Wird das Werkzeug in der falschen Richtung vorgeschoben, klettert die Schneidkante des Einsatzes aus dem Werkstück heraus und zieht das Werkzeug in die Richtung dieses Vorschubs.

Spezielle Sicherheitswarnungen für Schleifarbeiten:

1. **Verwenden Sie nur Schleifradtypen, die für Ihr Elektrowerkzeug empfohlen werden, und nur**

für die empfohlenen Anwendungen.

2. **Halten Sie Ihre Hand nicht so, dass sie sich in einer Linie mit der rotierenden Schleifscheibe oder hinter dieser befindet.** Wenn sich die Schleifscheibe am Arbeitspunkt von Ihrer Hand weg bewegt, kann ein möglicher Rückschlag die rotierende Schleifscheibe und das Elektrowerkzeug direkt auf Sie zu schleudern.

Zusätzliche Sicherheitswarnungen:

1. **Das Werkzeug ist für den Gebrauch mit gebundenen Schleifspitzen (Schleifsteinen) vorgesehen, die dauerhaft auf einer glatten Spindel (Schaft) ohne Gewinde montiert sind.**
2. **Vergewissern Sie sich vor dem Einschalten des Werkzeugs, dass die Schleifscheibe nicht das Werkstück berührt.**
3. **Lassen Sie das Werkzeug vor der eigentlichen Bearbeitung eines Werkstücks eine Weile laufen.** Achten Sie auf Vibrationen oder Taumelbewegungen, die Anzeichen für schlechte Montage oder eine schlecht ausgewuchtete Schleifscheibe sein können.
4. **Verwenden Sie nur die vorgeschriebene Fläche der Schleifscheibe für Schleifarbeiten.**
5. **Nehmen Sie sich vor Funkenflug in Acht.** Halten Sie das Werkzeug so, dass Sie und andere Personen oder leicht entzündliche Materialien nicht von den Funken getroffen werden.
6. **Lassen Sie das Werkzeug nicht unbeaufsichtigt laufen.** Benutzen Sie das Werkzeug nur mit Handhaltung.
7. **Vermeiden Sie eine Berührung des Werkstücks unmittelbar nach der Bearbeitung, weil es dann noch sehr heiß ist und Hautverbrennungen verursachen kann.**
8. **Befolgen Sie die Anweisungen des Herstellers für korrekte Montage und Verwendung von Schleifscheiben.** Behandeln und lagern Sie Schleifscheiben mit Sorgfalt.
9. **Vergewissern Sie sich, dass das Werkstück sicher abgestützt ist.**
10. **Falls der Arbeitsplatz sehr heiß, feucht oder durch leitfähigen Staub stark verschmutzt ist, verwenden Sie einen Kurzschlusschalter (30 mA) zum Schutz des Bedieners.**
11. **Verwenden Sie dieses Werkzeug nicht zur Bearbeitung von asbesthaltigen Materialien.**
12. **Achten Sie stets auf sicheren Stand.** Vergewissern Sie sich bei Einsatz des Werkzeugs an hochgelegenen Arbeitsplätzen, dass sich keine Personen darunter aufhalten.

DIESE ANWEISUNGEN AUFBEWAHREN.

⚠️ WARNUNG: Lassen Sie sich NICHT durch Bequemlichkeit oder Vertrautheit mit dem Produkt (durch wiederholten Gebrauch erworben) von der strikten Einhaltung der Sicherheitsregeln für das vorliegende Produkt abhalten. MISSBRAUCH oder Missachtung der Sicherheitsvorschriften in dieser Anleitung können schwere Personenschäden verursachen.

FUNKTIONSBESCHREIBUNG

⚠VORSICHT: Vergewissern Sie sich vor jeder Einstellung oder Funktionsprüfung des Werkzeugs stets, dass es ausgeschaltet und vom Stromnetz getrennt ist.

Schalterfunktion

⚠VORSICHT: Vergewissern Sie sich vor dem Anschließen des Werkzeugs an das Stromnetz stets, dass das Werkzeug ausgeschaltet ist.

Zum Einschalten des Werkzeugs den Schalter auf die Position „I“ (EIN) schieben. Zum Ausschalten des Werkzeugs den Schalter auf die Position „O“ (AUS) schieben.

► **Abb.1:** 1. Schalter

MONTAGE

⚠VORSICHT: Vergewissern Sie sich vor der Ausführung von Arbeiten am Werkzeug stets, dass es ausgeschaltet und vom Stromnetz getrennt ist.

Montieren und Demontieren der Schleifspitze

Sonderzubehör

⚠VORSICHT: Verwenden Sie einen Spannzangenkonus der korrekten Größe für die zu benutzende Schleifspitze.

ANMERKUNG: Ziehen Sie die Spannzangenmutter nicht ohne eingefügte Schleifspitze an. Anderenfalls kann es zu einer Beschädigung des Spannzangenkonus kommen.

Lösen Sie die Spannzangenmutter entgegen dem Uhrzeigersinn, und führen Sie die Schleifspitze in die Spannzangenmutter ein. Verwenden Sie einen Schraubenschlüssel zum Festhalten der Spindel. Drehen Sie mit einem anderen Schraubenschlüssel die Spannzangenmutter im Uhrzeigersinn einwandfrei fest.

► **Abb.2:** 1. Schraubenschlüssel
2. Spannzangenmutter 3. Spindel

Die Schleifspitze sollte nicht mehr als 10 mm von der Spannzangenmutter entfernt montiert werden. Wird dieser Abstand überschritten, kann es zu Vibrationen oder einem Schaftbruch der Schleifspitze kommen.

► **Abb.3**

BETRIEB

⚠VORSICHT: Üben Sie nur leichten Anpressdruck auf das Werkzeug aus. Übermäßige Druckausübung auf das Werkzeug führt nur zu schlechter Ausführung und Überlastung des Motors.

⚠VORSICHT: Die Schleifspitze dreht sich nach dem Ausschalten des Werkzeugs noch weiter.

► **Abb.4**

Achten Sie beim Einschalten des Werkzeugs darauf, dass die Schleifspitze keinen Kontakt mit dem Werkstück hat, und warten Sie, bis die Schleifspitze ihre volle Drehzahl erreicht. Setzen Sie dann die Schleifspitze sanft an das Werkstück an. Um eine gute Ausführung zu erhalten, bewegen Sie das Werkzeug langsam nach links.

WARTUNG

⚠VORSICHT: Vergewissern Sie sich vor der Durchführung von Überprüfungen oder Wartungsarbeiten des Werkzeugs stets, dass es ausgeschaltet und vom Stromnetz getrennt ist.

ANMERKUNG: Verwenden Sie auf keinen Fall Benzin, Waschbenzin, Verdünnern, Alkohol oder dergleichen. Solche Mittel können Verfärbung, Verformung oder Rissbildung verursachen.

Abrichten der Schleifspitze

Sonderzubehör

Wenn die Schleifspitze mit zahlreichen Teilchen und Partikeln zugesetzt wird, sollte sie mit einem Abziehstein abgerichtet werden.

► **Abb.5**

Um die SICHERHEIT und ZUVERLÄSSIGKEIT dieses Produkts zu gewährleisten, sollten Reparaturen und andere Wartungs- oder Einstellarbeiten nur von Makita-Vertragswerkstätten oder Makita-Kundendienstzentren unter ausschließlicher Verwendung von Makita-Originalersatzteilen ausgeführt werden.

SONDERZUBEHÖR

⚠VORSICHT: Die folgenden Zubehörteile oder Vorrichtungen werden für den Einsatz mit dem in dieser Anleitung beschriebenen Makita-Werkzeug empfohlen. Die Verwendung anderer Zubehörteile oder Vorrichtungen kann eine Verletzungsgefahr darstellen. Verwenden Sie Zubehörteile oder Vorrichtungen nur für ihren vorgesehenen Zweck.

Wenn Sie weitere Einzelheiten bezüglich dieser Zubehörteile benötigen, wenden Sie sich bitte an Ihre Makita-Kundendienststelle.

- Schleifspitzen
- Spannzangenkonussatz (3 mm, 6 mm, 1/4", 1/8")
- Schraubenschlüssel 10

- Abziehstein

HINWEIS: Manche Teile in der Liste können als Standardzubehör im Werkzeugsatz enthalten sein. Sie können von Land zu Land unterschiedlich sein.

Makita Jan-Baptist Vinkstraat 2, 3070, Belgium
Makita Corporation Anjo, Aichi, Japan

www.makita.com

885437-997

EN, FR, DE, IT,
NL, ES, PT, DA,
EL, TR
20150610