

# GROUND ZERO<sup>®</sup>

## GERMAN ENGINEERING

### Datasheet

GZPW 15NEO-SPL – Pure SPL Competition Subwoofer



**GROUND ZERO** GmbH – Erlenweg 25, 85658 Egmating, Germany

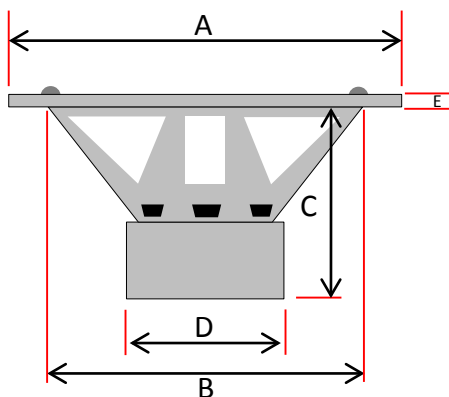
 GroundZeroAudioCom

[www.ground-zero-audio.com](http://www.ground-zero-audio.com)  
[info@ground-zero-audio.com](mailto:info@ground-zero-audio.com)

## TECHNICAL SPECIFICATIONS

Product name	GZPW 15NEO-SPL	Gasket material	Rubber
Product type	Pure Competition SPL Subwoofer	Terminal type	(2x)10 mm <sup>2</sup> speaker wire
Magnet type	Neodymium	Power handling	3000 W RMS
Magnet construction	(16x) 20 x 20 x 50 mm / (16x) 0.79 x 0.79 x 1.97" concentric arrangement	Impedance	2x 1 ohm
Total weight	37.5 kg	$R_{e(Serial)}$	1.9 ohms
Voice coil diameter	100 mm / 4"	$R_{es}$	735.6 ohms
Voice coil winding height	63 mm / 2.5"	$F_s$	41.2 Hz
Voice coil wire material	Aluminum (flat wire)	$Q_{ms}$	3.87
Voice coil former material	Aluminum	$Q_{es}$	0.20
Top plate / height	10 mm / 0.39"	$Q_{ts}$	0.19
Linear excursion (one direction)	30 mm / 1.18"	$R_{ms}$	37.500 g/s
Top Plate and T-Yoke color	Black	$C_{ms}$	0.03 mm/N
Basket material	Aluminum cast	$M_{ms}$	560.6 g
Basket color	Yellow	BL	37.4 N/A
Spider material	Nomex	SPL (1w/1m)	91.4 dB
Surround type	U-shape SPL foam	$V_{AS}$	25.6 L / 0.904 cu.ft
Cone material	Carbon composite fiber	$L_e$	0.61 mH
Dustcap material	Carbon fiber	$S_d$	829.58 cm <sup>2</sup> / 128.59 sq.in
		Recommended amplifier power	2000 – 4000 Watts RMS
		Max. amplifier power*	10000 Watts RMS* (competition use)

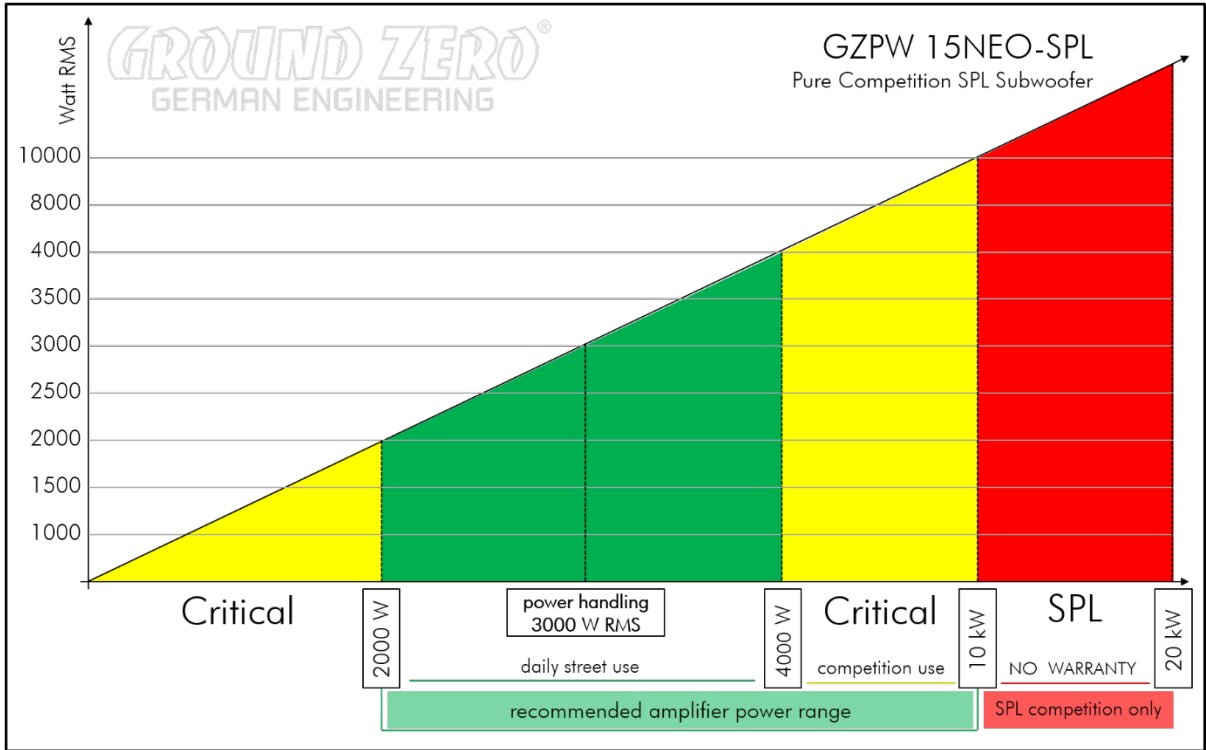
\* max. power handling is for correctly calculated enclosure applicable only



	Metric	Customary
A	391 mm	15.39"
B	358 mm	14.09"
C	307 mm	12.09"
D	240 mm	9.45"
E	11 mm	0.43"



## POWER RECOMMENDATION



## WIRING OPTIONS

