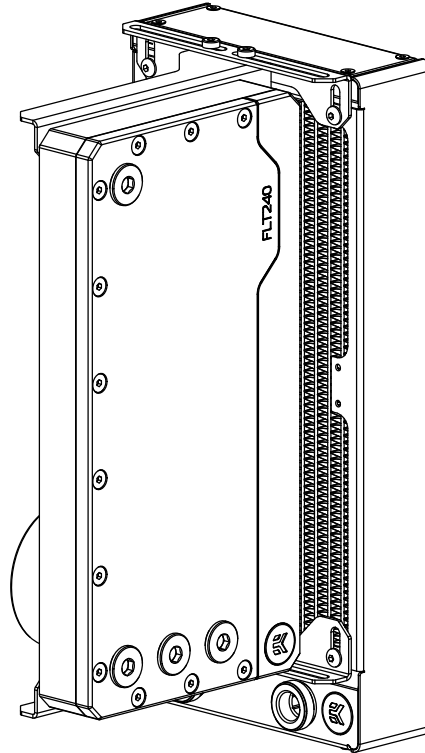


EK-Loop Angled Bracket - 120mm



This product is intended for installation by expert users only. Please consult with a qualified technician for installation. Improper installation may result in damage to your equipment. EK Water Blocks assumes no liability whatsoever, expressed or implied, for the use of these products, nor their installation. The following instructions are subject to change without notice. Please visit our web site at www.ekwb.com for updates. Before installation, please read important notice, disclosure, and warranty conditions printed on the back of the box.

Before you start using this product please follow these basic guidelines:

Please, read the manual carefully before you begin with the installation process!

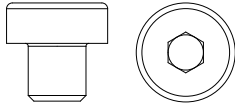
EK-Loop Angled Bracket 120mm is compatible with EK-Quantum Kinetic FLT and EK-Quantum Volume FLT units.

TABLE OF CONTENT

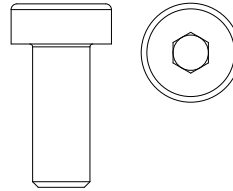
BOX CONTENTS	4
ASSEMBLING THE EK-LOOP ANGLED BRACKET	5
INSTALLING THE EK-LOOP ANGLED BRACKET DIRECTLY INTO THE CASE	6
INSTALLING THE EK-LOOP ANGLED BRACKET ONTO THE RADIATOR	7
ATTACHING THE FLT RESERVOIR TO THE EK-LOOP ANGLED BRACKET	8
ATTACHING THE FITTINGS	9
SUPPORT AND SERVICE	10
SOCIAL MEDIA	10

BOX CONTENTS

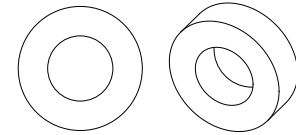
M4 X 4 Screws DIN 7984
(4 pcs)



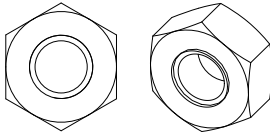
M4 X 10 Screws DIN 7984
(8 pcs)



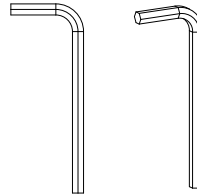
Acetal Standoffs
(4 pcs)



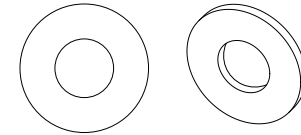
M4 Nuts
(4 pcs)



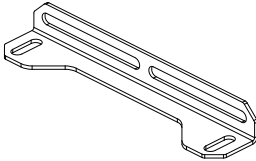
Allen Key 2.5mm



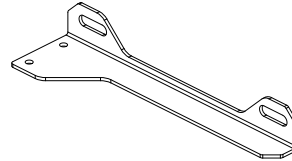
M4 Steel Washers
(4 pcs)



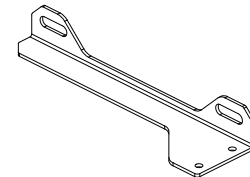
EK-Loop Angled Bracket Base
(2 pcs)



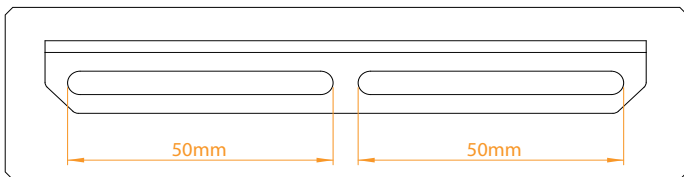
EK-Loop Angled Bracket - left part



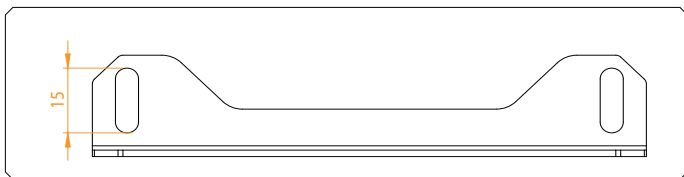
EK-Loop Angled Bracket - right part



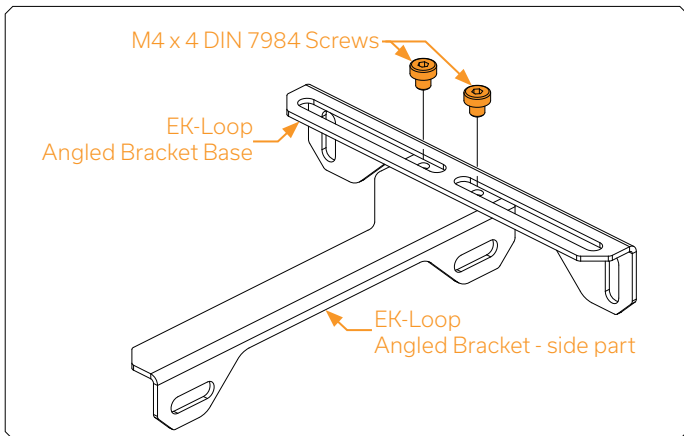
ASSEMBLING THE EK-LOOP ANGLED BRACKET



EK-Loop Angled Bracket base piece has four slot holes that allow adjustability. Larger slot holes will enable adjusting of the bracket's position (50mm on each side). Side pieces can be screwed into the base through one of the slots or both of them.

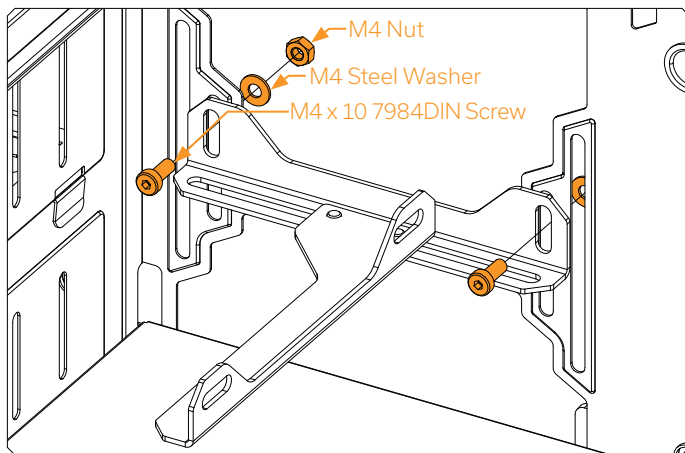


Smaller slot holes on the side allow for adjusting the position of the bracket on the radiator.



For the assembly of the EK-Loop Angled Bracket, use M4 X 4 DIN 7984 screws (as shown in the picture). Side parts already have threaded holes, so there is no need for additional washers and nuts.

INSTALLING THE EK-LOOP ANGLED BRACKET DIRECTLY INTO THE CASE

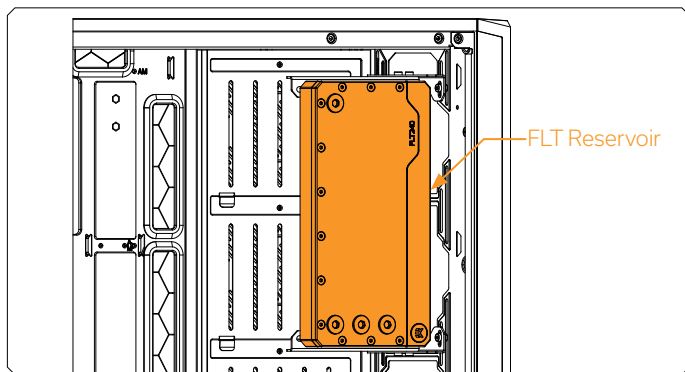


EK-Loop Angled Bracket can be mounted directly into the case when there is a place for a 120mm fan.

The FLT reservoir can also be mounted onto the EK-Loop Angled Bracket and secured together into the chassis.

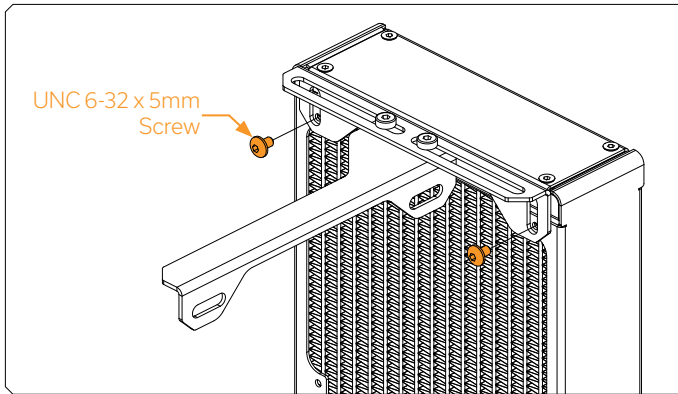
Alternatively, you can drill four Ø4.5mm holes in the most suitable place on the wall of your computer chassis, using the electric power drill.

EK-Loop Angled Bracket - 120mm can be installed directly into the chassis, using the enclosed M4 X 10 DIN7984 screws, M4 steel washers, and M4 nuts (as shown in the picture).

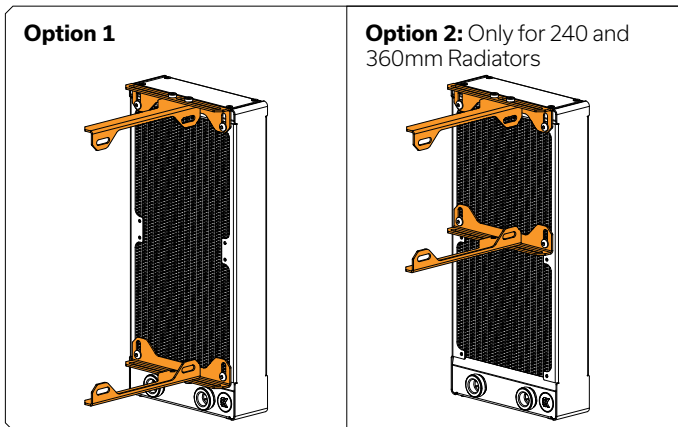


After securing the EK-Loop Angled Bracket into the chassis, you can attach the FLT reservoir. (See chapter: **Attaching the FLT Reservoir to the EK-Loop Angled Bracket**)

INSTALLING THE EK-LOOP ANGLED BRACKET ONTO THE RADIATOR

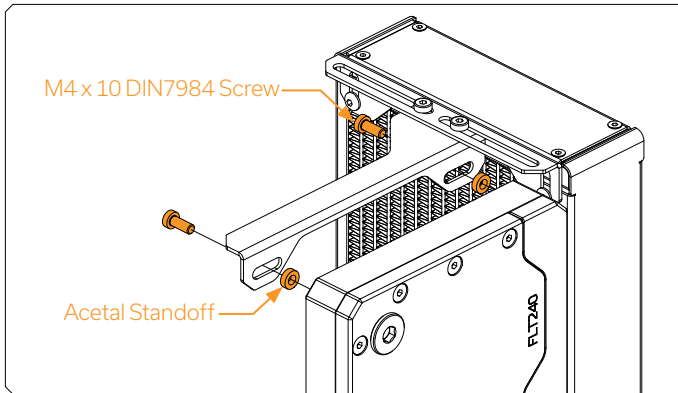


EK-Loop Angled Bracket can be mounted onto the radiator using the UNC 6-32 x 5mm radiator mounting screws (as shown in the picture). There is no need for additional nuts, just tighten the screws evenly and do not use excessive force.

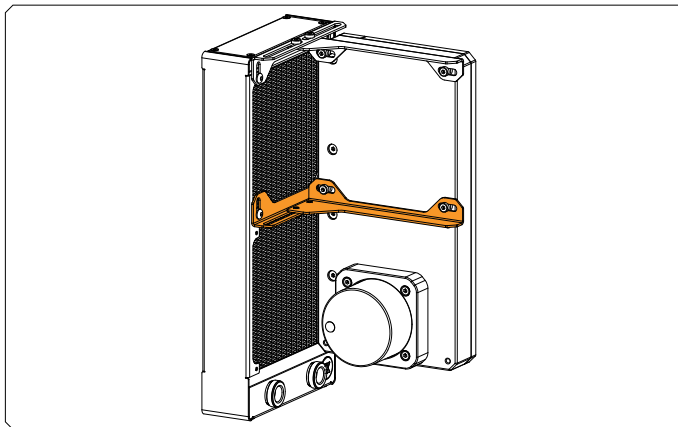


You can mount the bracket on each side of the radiator. On 240 and 360mm radiators, the bracket can also be attached to the middle holes.

ATTACHING THE FLT RESERVOIR TO THE EK-LOOP ANGLED BRACKET

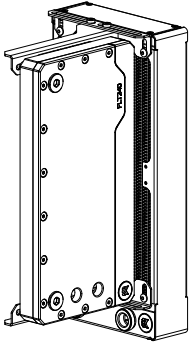


Carefully position the FLT reservoir onto the EK-Loop angled bracket and secure it with the enclosed M4 X 10 DIN 7984 screws and acetal standoffs (as shown in the picture). While tightening the screws, do not use excessive force. Make sure that all four (4) screws and standoffs are adequately secured!

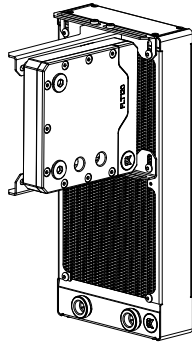


If you choose to use the holes in the middle, it is no longer possible to move the FLT reservoir from or toward the radiator!

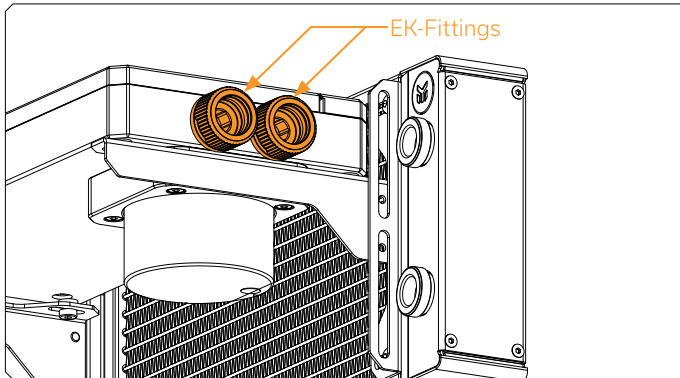
Option 1



Option 2: Only for 240 and 360mm Radiators



ATTACHING THE FITTINGS



When using the EK-Loop Angled Bracket with FLT products, we recommend you use EK-Fittings because of their compatibility, and there will be no reason to worry.

Before you attach the fittings, make sure the acetal standoffs are placed correctly. Otherwise, you risk the possibility of scratching your FLT product (especially when using EK-Torque HTC-16 Fittings).

SUPPORT AND SERVICE

For assistance please contact:


<http://support.ekwb.com/>

EKWB d.o.o.
Pod lipami 18
1218 Komenda
Slovenia - EU


SOCIAL MEDIA

 EKWaterBlocks

 @EKWaterBlocks

 ekwaterblocks

 EKWBofficial

 ekwaterblocks

