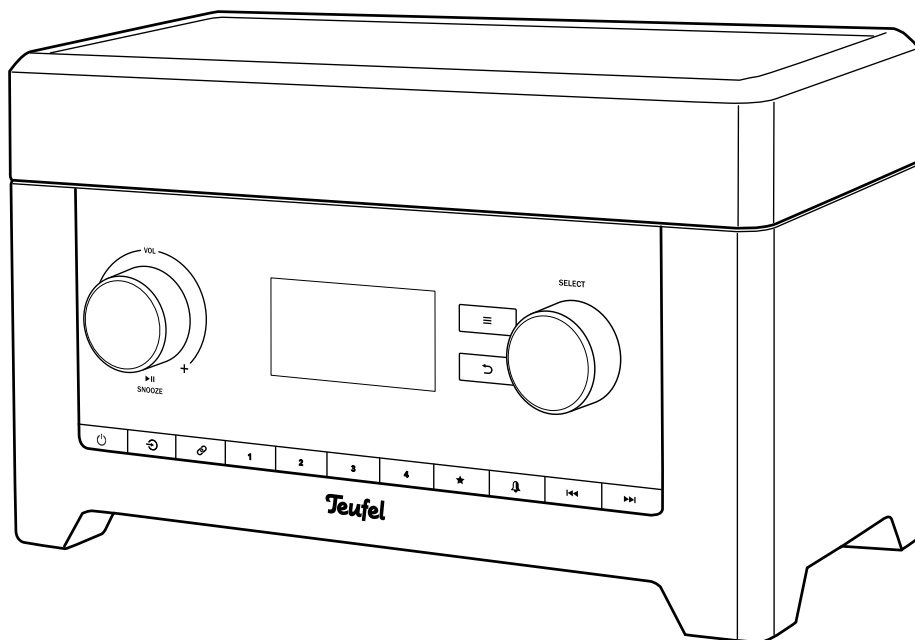


Technical Description And User Manual



Radio 3sixty

Radio with FM, DAB/DAB+, web radio, USB playback, Bluetooth®, Spotify® Connect, Amazon Music®, network streaming and app

Teufel

Contents

General Notes And Information	3	Software update.....	28
Trademarks	3	Software upgrade.....	28
Contact.....	4	Setup Assistant	28
For Your Safety	5	Info	28
Proper use.....	5	Data privacy.....	29
Safety notes	5	Backlight	29
Overview	10	The Radio 3sixty App	30
Package contents	10	Internet Radio	31
Operational Controls And Connections	11	Selecting stations	31
Remote control	14	Playback	33
Battery.....	15	Station memory.....	34
Set up/Connection	16	Station buttons.....	34
Location tips.....	16	The radio portal.....	35
Power supply	17	Radio Mode	36
Activating and deactivating.....	17	DAB/DAB+.....	36
Setup wizard	18	FM (USW).....	38
Operation	20	Saving and accessing stations ..	39
Selecting a source	20	USB/Network	40
Adjusting the volume	22	USB	40
Mute	22	Network	41
Sound	22	Playback	42
The Menu	23	DMR.....	43
Source menu.....	26	Bluetooth® Mode	44
Standby timer	26	Amazon Music	46
Alarms	26	Spotify Connect	47
System settings menu.....	27	AUX Input	47
Equalizer	27	Playback.....	47
Streaming audio quality	27	Care And Cleaning	48
Network.....	27	Troubleshooting	49
Time.....	28	Declaration Of Conformity	50
Language	28	Technical Data	51
Factory reset.....	28		

General Notes And Information

Notice

The information in this document may change without prior notice and in no way constitutes any liability on the part of Lautsprecher Teufel GmbH.



No part of this user manual may be reproduced in any form or be broadcasted in any way electronically, mechanically, by photocopy or recording without the written permission of Lautsprecher Teufel GmbH.

© Lautsprecher Teufel GmbH
Version 4.0, September 2020


Trademarks

® All trademarks are the property of their respective owners.

 **Bluetooth**® The Bluetooth® word mark and Bluetooth® symbol are registered trademarks of Bluetooth SIG, Inc. and any use by Lautsprecher Teufel is licensed.

 **Spotify** |  The Spotify software is subject to third-party licences, which are listed here:

www.spotify.com/connect/third-party-licenses

 Amazon, Echo, Alexa and all related logos and motion marks are trademarks of Amazon.com, Inc. or its affiliates.

Original packaging

If you wish to exercise your eight-week right of return, we ask that you be absolutely sure to hold onto the packaging. We can only accept product returns with the ORIGINAL PACKAGING.

Empty boxes are not available!

Complaints

In case of a complaint we will need the following information to process your enquiry:

1. Invoice number

Can be found on the sales slip (enclosed with the product) or on the order confirmation received as a PDF document, e.g. 4322543

2. Serial number or batch number

Located on the back of the device.

Thank you for your support!

Contact

Please contact our customer service department with any questions, suggestions, or complaints:

Lautsprecher Teufel GmbH

BIKINI Berlin

Budapester Str. 44

10787 Berlin (Germany)

Telephone:

00800 200 300 40 (toll- free)

Fax:

+49 (0)30 / 300 930 930

Online support:

www.teufelaudio.com/service

Contact form:

www.teufelaudio.com/contact



Before operating the product for the first time, please read the safety notes and user manual carefully. Only in this way, can you ensure that all functions are used in a safe and reliable manner. Store the user manual in a safe place and also be sure to pass it on to any subsequent owner.

NOTICE

Check that all items have been delivered and that nothing is damaged. If you find any damage, do not operate the device; instead contact our customer service department.

For Your Safety

Proper use

The device is designed for the playback of music and speech from radio and Internet stations.

Only use the device as described in this user manual. Any other use will be deemed as not in accordance with the instructions and may lead to damage of property or even persons.

The manufacturer accepts no liability for damage caused by improper use.

The device is intended for private use only.

Explanation of terms

You can find the following signal terms in this user manual:

WARNING

This signal term indicates a moderate risk, which, if not avoided, may result in severe injury.

CAUTION

This signal term indicates a low risk, which, if not avoided, may result in minor or moderate injury.

NOTICE

This signal term warns you of potential damage.

Safety notes

This chapter contains general safety notes which you should always observe to protect yourself and third parties. Also observe the warning notes in each chapter of this user manual.

⚠ WARNING

Touching live parts can result in severe injury or death.

- When connecting the mains adapter, make sure that the correct voltage is present. You can find more information about this on the rating plate.
- Regularly check the device and the mains adapter for damage. Disconnect the mains adapter immediately from the socket and do not use the device if its housing or the housing of the mains adapter is defective or if there is other visible damage.
- This device is disconnected from the mains by pulling the mains adapter. Therefore, make sure that the mains adapter is always easily accessible.
- If the device or the mains adapter emits smoke, smells burnt or produces unusual sounds, immediately disconnect it from the mains and do not operate it further.
- Never open the housing of the device or mains adapter. Repairs may only be carried out by an authorised specialist workshop. Only parts that match the original specifications may be used.
- Only use the accessory products specified by the manufacturer.
- Never modify the device. Unauthorised modifications may affect the safety and functionality.
- Never touch the mains adapter with wet hands.

⚠ WARNING

An unsuitable setup location may result in injury and damage.

- Never use the device unmounted in vehicles, in unstable locations, on wobbly tripods or furniture, on insufficiently dimensioned brackets etc. The device could tip or fall down and cause injury to persons or be damaged itself.
- Arrange the device so that it cannot be knocked over accidentally and make sure that the cables do not pose a tripping hazard.
- Do not place the device and the mains adapter near heat sources (e.g. heaters, ovens, other heat generating equipment such as amplifiers).
- Do not use the device in environments where there is a risk of explosion.
- Only use the wireless functions (Bluetooth®, Wi-Fi) in locations where wireless radio transmission is allowed.

⚠ WARNING

Children can become trapped in the plastic wrapping when playing and suffocate.

- Do not allow children to play with the device or the plastic wrapping. There is a danger of suffocation.
- Never allow children to operate electrical equipment unsupervised.

⚠ WARNING

Swallowing a product battery may result in severe internal injury or even death.

- Store both new and used batteries so that they are not accessible to children.
- If it is no longer possible to safely close the battery compartment, stop using the remote control and store it so that it is not accessible for children.
- If you suspect that a battery has been swallowed or otherwise incorporated, promptly consult a physician.

⚠ CAUTION

Leaking battery acid may lead to chemical burns.

- Do not allow battery acid to come into contact with skin, eyes or mucous membranes. In the event of contact with acid, immediately flush the applicable areas with plenty of clean water and consult a physician if necessary.

⚠ CAUTION

Extended listening at high volumes may lead to hearing loss.

To avoid damage to health, avoid extended listening at high volumes.

- When the volume is set high, always keep a certain distance from the device and never place your ears directly on the speaker.
- If your Radio 3sixty is set to full volume, it may produce very high sound pressure. This may have psychological consequences and also cause physical injury. Children and pets are particularly at risk. Set your signal source device volume to a low setting before turning on the power.

 **CAUTION**

This product contains magnetic material.

- If necessary, consult your physician and ask about effects on implants such as pacemakers or defibrillators.

 **CAUTION**

Improper use may lead to damage or fire.




- Do not place open flames such as burning candles or similar on the device.
- Ensure sufficient ventilation.
- Do not expose the device to direct sunlight.
- Only use the device indoors.
- Do not operate the device in wet rooms and protect it from dripping and splashing water.
Make sure that no vases or other liquid-filled objects are located on or near the device in order to prevent liquid from penetrating the housing. If water or other debris have infiltrated the device, immediately pull the mains adapter out of the socket. Then send the device to our service address.

NOTICE

The isolation pads can produce discolouration on sensitive surfaces.

- On parquet, varnished wood and similar surfaces, you should stick felt gliders to the rubber feet of the device or put a blanket under it. This will prevent discolouration of the floor over the long term.

Explanation of symbols

	Protection class II Dual insulation
	May only be used indoors
	Risk of electrical shock – do not open the housing. Disconnect the mains cord before changing a fuse.



Old devices must not be disposed of with household waste!

Electrical equipment contains harmful substances and valuable resources.

Every consumer is required by law to bring all old electrical devices to an authorised collection or return point so that they can be disposed of in a manner that is environmentally friendly and which preserves resources.

You can hand old electrical devices over to the local reusable materials/ recycling centre.

Please contact your vendor directly for more information about this topic.



Batteries and rechargeable batteries do not belong in the household garbage!

Every consumer is required by law to bring all batteries and rechargeable batteries, regardless whether they contain harmful substances* or not, to a collection point run by the communal authority/borough or to a retailer, so that they can be disposed of in an environmentally friendly manner.

Please only turn in batteries and rechargeable batteries which are empty!

*) labelled with:

Cd = cadmium, Hg = mercury,

Pb = lead

Overview

Unpacking

- Carefully open the box and lift the device out of the box.

Package contents

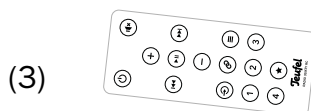
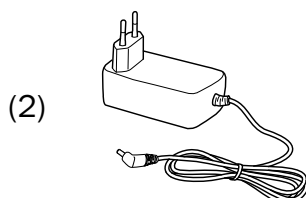
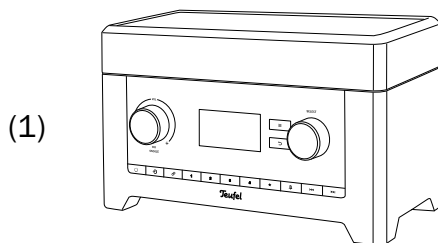
- (1) 1× Radio 3sixty
- (2) 1× mains adapter
- (3) 1× remote control
RADIO 3SIXTY RC

Optional

Teufel Remote App for Android and IOS (see page 30).

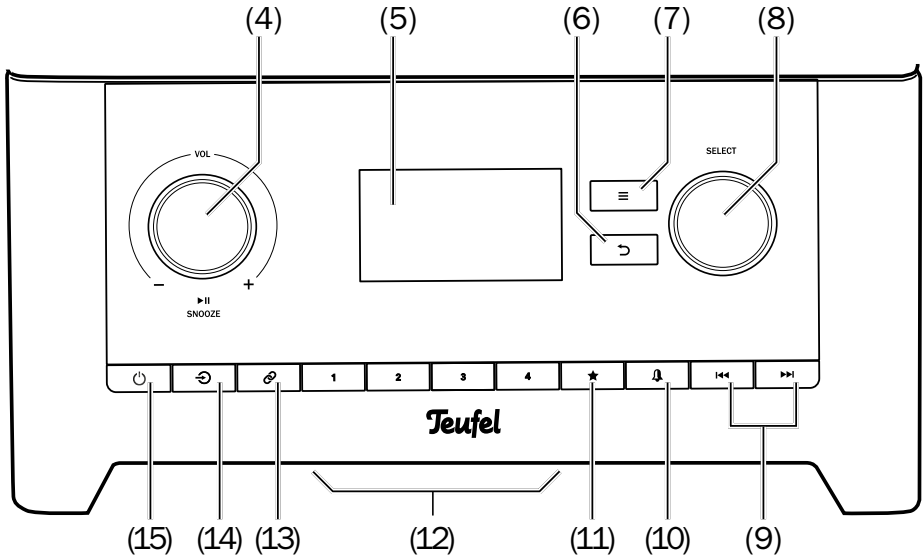
Checking the package contents

- Check that all items have been delivered and that nothing is damaged.
- If the delivery is incomplete or exhibits damage from transport, please contact our service team (see page 4).
- Do not in any case operate the device if it is damaged.



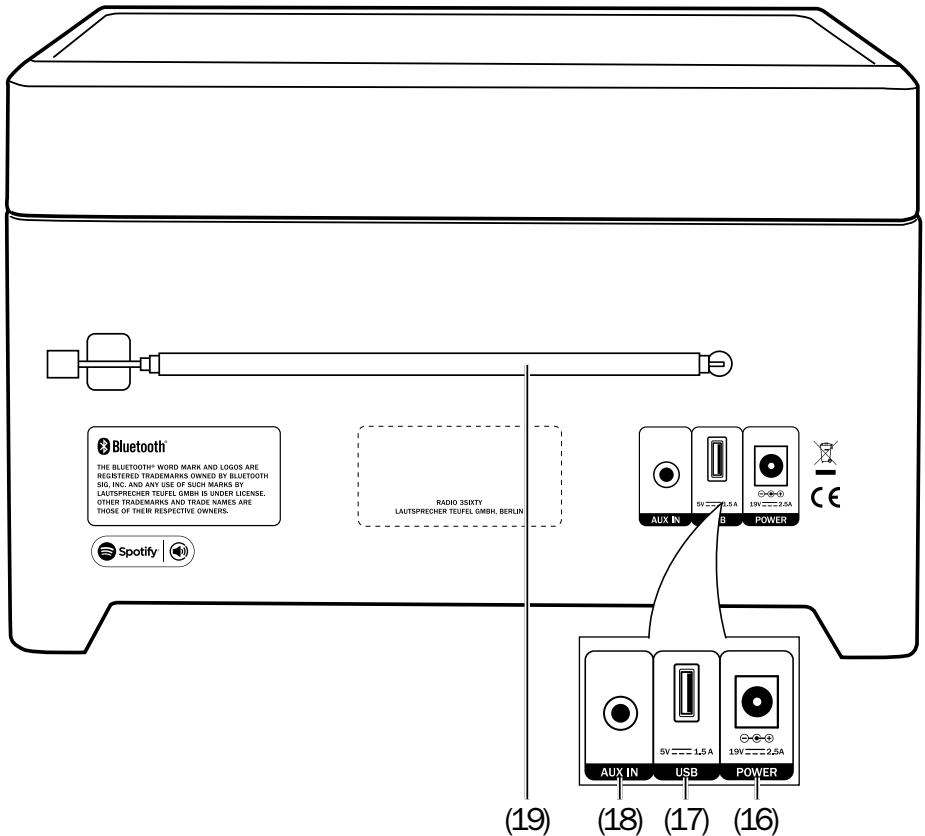
Operational Controls And Connections

Front side



- (4) VOL** – turn: adjust the volume, push: playback/pause, mute, snooze (alarm)
- (5)** Display panel
- (6)** ⏪ – show previous menu item, back
- (7)** ≡ – access the menu
- (8) SELECT** – turn: select push: confirm
- (9)** ⏮/⏭ – brief push: skip forward/backward, change radio station long push: fast forward/rewind, station scan
- (10)** 🕒 – set the alarm time and end the alarm
- (11)** ★ – brief push: access favourites, long push: save favourites
- (12)** 1-4 – favourite station memory
- (13)** 📶 – brief push: select Bluetooth® as the source and start pairing, terminate existing connection
- (14)** ↻ – select a source
- (15)** ⏻ – switch the device on and to standby mode

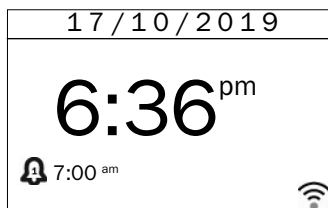
Back side



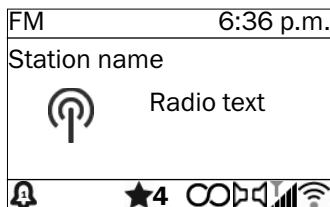
- (16) **POWER** – connector jack for the mains adapter (2)
- (17) **USB** port for playing back music files and for the power supply of playback devices (5 V, 1.5 A).
- (18) **AUX IN** – input jack for analogue audio source device
- (19) Telescopic antenna

The display panel







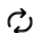
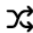




The date and time are displayed in standby. If enabled, the set alarm time(s) are also displayed here. The Wi-Fi symbol indicates that there is a connection to the local network.



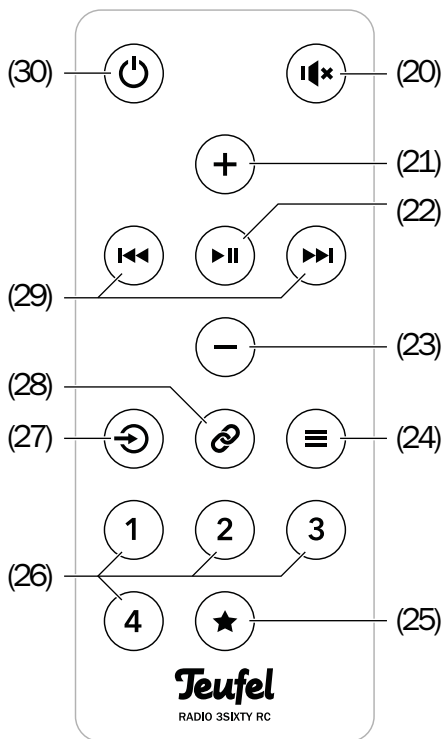
During playback, the display panel is divided into three sections: At the top, it shows the source and time, in the middle playback information and at the bottom, the status of the alarm times, source and wireless connections.



Symbols on the display panel

-  Radio: Stereo, signal strength
-  Wi-Fi active, flashing:
Connection being established
-  Bluetooth® active, flashing:
Connection being established
-  Mute
-  Playback: Stop
-  Playback: Pause
-  Repeat
-  Random playback
-  Alarm time active
-  Favourites 1-30
-  Sleep timer (15 min.)
-  Network error
(see page 49)

Remote control



- (20) – mute speaker
- (21) – increase the volume, navigate through the menu
- (22) – confirm menu, control Bluetooth® device and USB/network: start/pause playback, stop alarm
- (23) – decrease the volume, navigate through the menu
- (24) – access the menu
- (25) – brief push: access station memory, long push: save station
- (26) 1-4 – favourite station memory
- (27) – select a source
- (28) – start Bluetooth® pairing, terminate existing connection
- (29) – brief push: skip forward/backward, switch radio station, switch back one menu with , long push: fast forward/rewind, station scan
- (30) – switch the device on and to standby mode

 **CAUTION**

Leaking battery acid may lead to chemical burns.

- *Do not allow battery acid to come into contact with skin, eyes or mucous membranes. In the event of contact with acid, immediately flush the applicable areas with plenty of clean water and consult a physician if necessary.*

Batteries (particularly lithium batteries) can explode if used improperly.

- *Never attempt to recharge batteries.*
- *Only use batteries of the same or equivalent type.*
- *You must not heat or short circuit batteries and rechargeable batteries or dispose of them in fire.*
- *Do not expose batteries and rechargeable batteries to direct sunlight.*

Battery

In order to operate the remote control, you will need a battery of type CR 2032. When delivered, the battery has already been inserted.

- Pull the plastic strip out of the remote control. The remote control is now ready for use.

You should change the battery if the remote control stops working properly or after 2 years at the latest:

1. To open the battery compartment, use a thin, but not pointed object (such as a paper clip) to push into the small hole above the cover and push the lid down.
2. If applicable, remove the old battery and dispose of it in an environmentally-friendly manner (see page 9).
3. Place the new battery into the battery compartment so that the positive pole (+) is pointing up.
4. Push the cover back into a closed position – it will lock into place with an audible click.

Set up/Connection

NOTICE

If the device is subjected to warm temperatures after being cold (e.g. after transport), condensation may occur inside of it.

- *In this case, wait approx. 2 hours before you connect and activate it.*

Location tips

- Select a stable, level base.
- Make sure that the environment is clean and free from dust.
- Select a location away from heat sources and direct sunlight.
- Do not place any heavy objects on the cables or the device.

⚠ CAUTION

Risk of injury/damage!

- *Lay the cables so that they do not pose a tripping hazard.*

Protective film

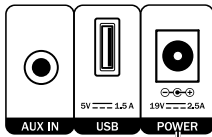
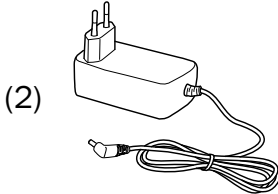
Upon delivery, the display panel is protected with a film, which also acts as a quick guide.

You can pull the protective film off:

1. Switch the Radio 3sixty off.
2. Take hold of the film by the red tab on the top left and slowly pull the film off diagonally downwards.

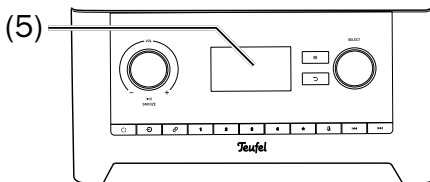
Power supply

1. Insert the small plug of the enclosed mains adapter (2) in the POWER jack (16).




(16)

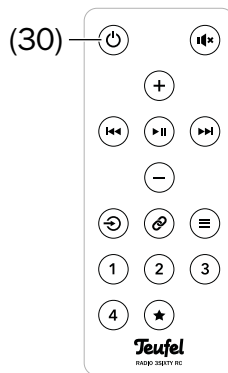
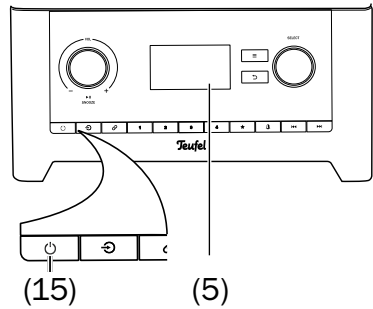
2. Connect the mains adapter to a mains power socket.
The lettering "TEUFEL" will appear briefly on the display panel (5).



3. The setup wizard will then start (see the next page).

Activating and deactivating

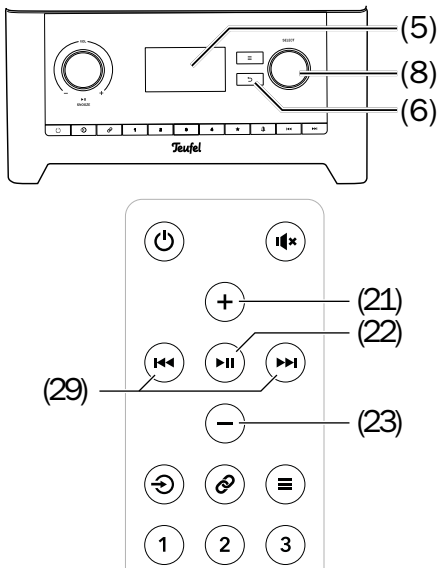
- Use the  button (15)/(30) to switch the Radio 3sixty on or to standby.
- After switching the device on, the last active audio source and volume will be set.
- If the Radio 3sixty does not receive an audio signal for 20 minutes, it will automatically switch to standby.



Setup wizard

The first time it is turned on or after being reset to the factory default settings, the Radio 3sixty requires some network information. You will provide this information in the Teufel Remote App (see page 30) or in the setup wizard:

- To select menu items and set the parameters, turn the SELECT control **(8)** or use the buttons **+** **(21)** and **-** **(23)**.
- To confirm, push the SELECT control **(8)** or the **▶||** button **(22)**.
- You can go back one step with the button **⏪** **(6)** or **◀◀** **(29)**.



1. When “Setup wizard – run now?” appears on the display panel **(5)**, use the SELECT control **(8)** to select “YES” and push the control.
2. Next, you decide whether to do the setup in the Teufel Remote App or with the device.
 - Select “APP” if you would like to do the setup conveniently with the Teufel Remote App on your smartphone or tablet. Follow the instructions on the screen and on page 30.
 - Otherwise, select “DEVICE” and proceed as follows:
3. Set the display format for the time: 12 hours (with AM/PM) or 24 hours.
4. Select how the time should be set:
 - via DAB radio;
 - via FM radio (RDS);
 - via the Internet – enter the time zone and summer/winter time here in the next step;
 - no update – enter the date and time here.
5. With the setting “Retain network connection”, you determine whether the Radio 3sixty switches Wi-Fi off (“NO”) or leaves it on (“YES”) in standby so that it can be switched on via the network. This function is also needed to be able to use network playback without interruption.

6. Select the region for your Wi-Fi now so that the correct standards are applied.

7. The Radio 3sixty will search for available Wi-Fi networks and display them as a list after a short time:

- **[WPS]** – displays networks with WiFi protected setup. It is very easy to establish a connection with them with the push of a button or by entering the PIN.
- **[New search]** – starts a new search.
- **[Manual config.]** – with this menu item, you enter all data yourself – only intended for special applications.

8. Select your Wi-Fi network from the list.

9. You can now select the type of connection to be established:

– **With password (WPA/WPA2):**

Key:												
0	1	2	3	4	5	6						
7	8	9	.	_	@							
,	a	b	c	d	e							
f	g	h	i	j	k	l						
m	n	o	p	q	r	s						

BKSP
OK
CANCEL

Enter the password:

- Use the SELECT control **(8)** or the buttons
+ (21) (up)
– (23) (down)
◀▶ (29) (left/right)
to select a symbol.

– By pushing the SELECT control **(8)** or the **▶▶** button **(22)**, you adopt the symbol at the top of the input line.

[BKSP] deletes the last symbol,
[OK] ends input,
[CANCEL] aborts the process.

– **With WPS:**

Here, you can choose from three options:


- Push a button – start establishing a connection for your Wi-Fi access (router) and push the SELECT control **(8)** within 2 minutes on the Radio 3sixty.
- PIN – the Radio 3sixty displays a code. Enter this code on your Wi-Fi access (router).
- Skip WPS – with this, you enter the password as described previously.

The Radio 3sixty will now connect to Wi-Fi and then briefly return the message “Connected”.

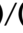
– Finish by pushing the SELECT control **(8)**.

The setup wizard is now complete. The Radio 3sixty displays the main menu.

Operation

 You can control all important functions of the Radio 3sixty with the Teufel Remote App (see page 30).

Selecting a source

- With the  button **(14)/(27)**, you can access the source menu: Here, the sources are shown as symbols on the display panel **(5)**.
- Select the desired source with the SELECT control **(8)** and briefly push the control.
- On the remote control, select the source with the buttons **+ (21)** and **- (23)**, access the source with the **▶|| (22)** button **(22)**.



Internet radio: Reception of global radio stations, only possible with an existing connection (see page 31)



Amazon Music: a music streaming service (see page 46)



Spotify: a music streaming service (see page 47)



USB/network: – playback from USB storage devices and UPnP/DLNA sources via the network (see page 40)



DAB+ radio: digital radio reception (see „DAB/DAB+“ on page 36)



FM radio: analogue radio reception (see „FM (USW)“ on page 38)



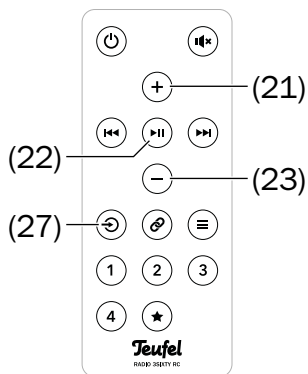
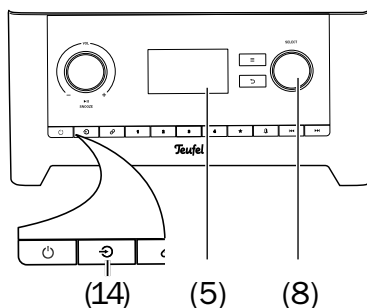
Bluetooth®: digital source via wireless connection (see page 44)



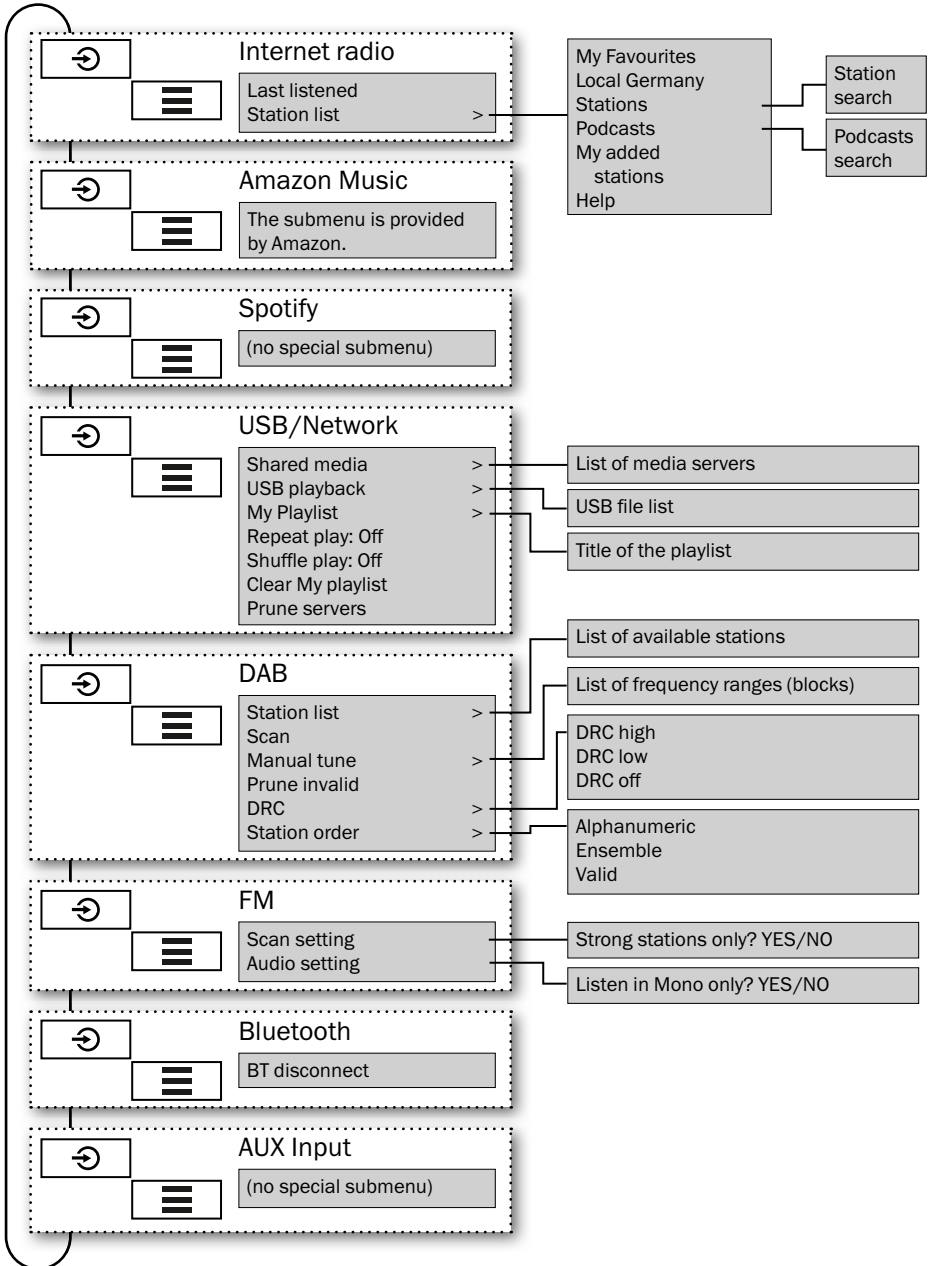
Aux In: analogue source via the AUX IN jack **(18)**

The selected source will appear on the display panel **(5)**.

- You can also select the source in the “Source” menu.



Overview of the source submenu

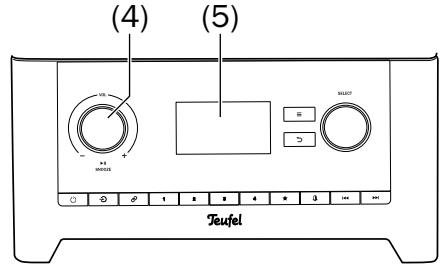


Adjusting the volume

- Increasing the volume: Turn the VOL control (4) clockwise or push the + button (21).
- Decreasing the volume: Turn the VOL control (4) anticlockwise or push the – button (23).

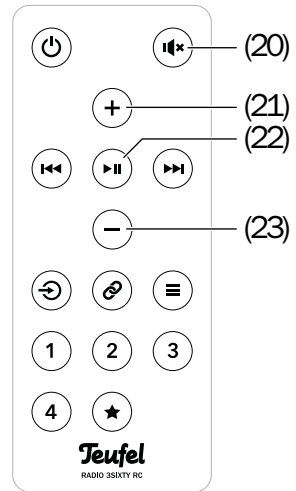
While making the setting, the current value will be displayed on the display panel (5) as a number and as a graphic.

i The volume setting of an external player often affects the volume of the Radio 3sixty.



Mute

- Use the **mute** button (20) to turn the sound off. The message “Muted” will appear briefly on the display panel (5) and the symbol M will appear in the status line.
- To turn the sound back on: Push the **mute** button (20) again or change the volume.
- You can also turn the sound on and off by pushing the VOL control (4). During Bluetooth® and USB playback, playback is stopped in the process. With all other sources, only the sound will be switched off.



Sound

Set the sound (bass and treble) in the “Equalizer” menu (see page 27).

The Menu

Use the menu to configure the functions of your Radio 3sixty.

You can also set numerous parameters in the Teufel Remote App (see page 30).

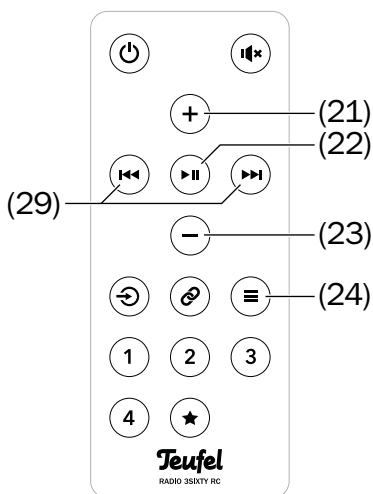
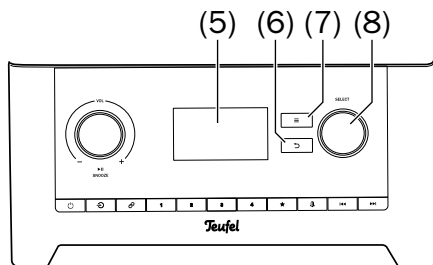
The menu is shown on the display panel (5).

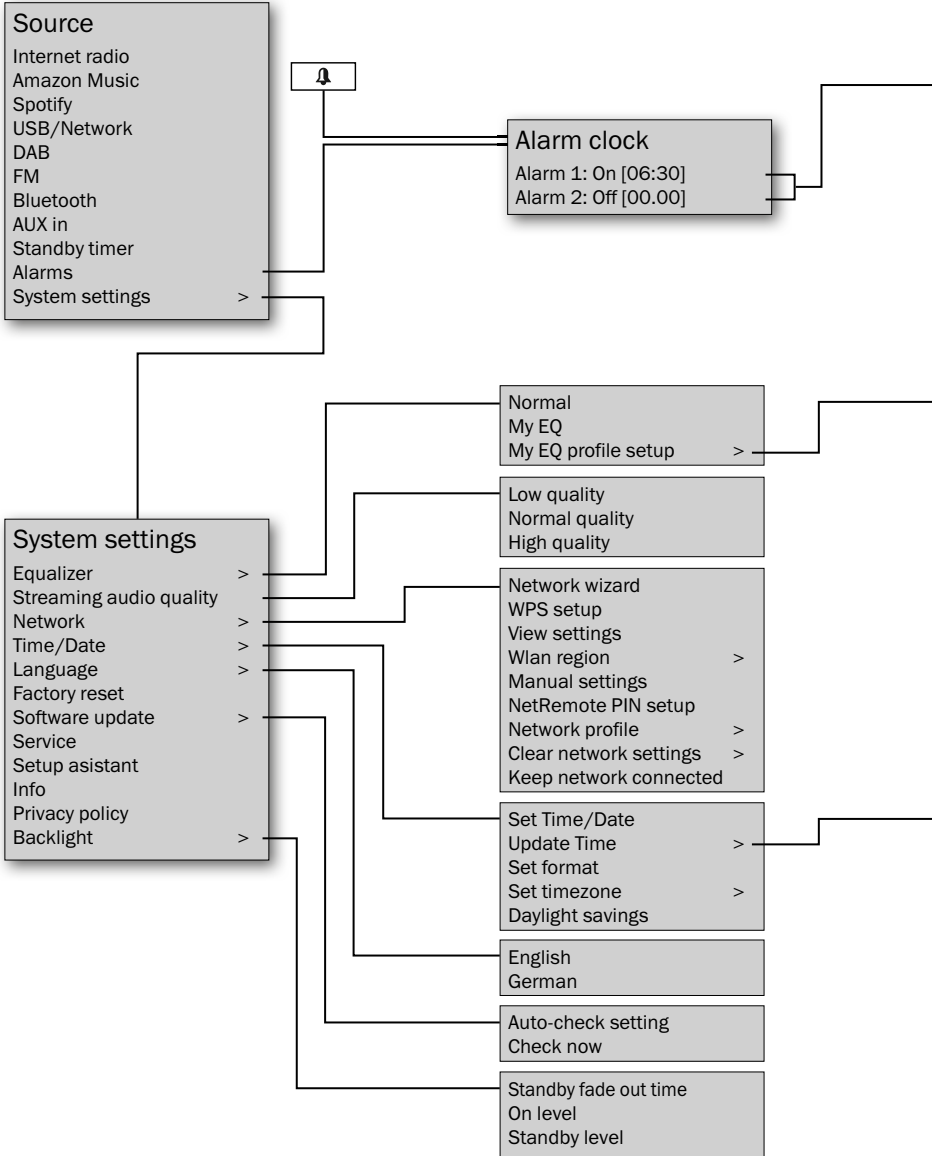
- To access the menu, tap the ☰ button (7)/(24). Thus, you will access the submenu of the active source.

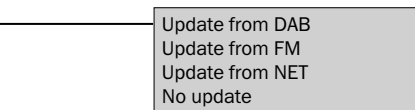
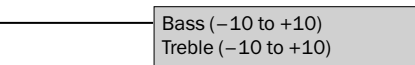
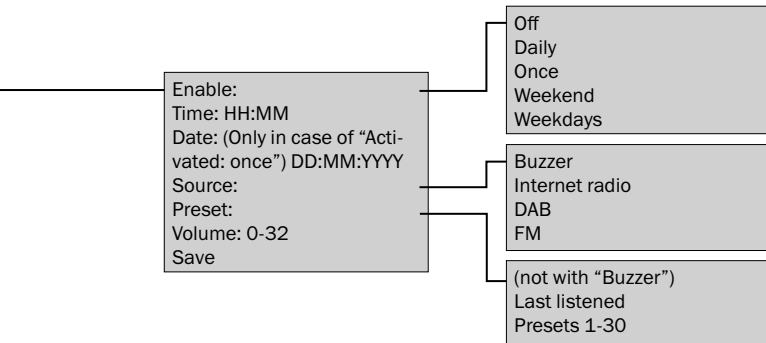
In each of these submenus, there are direct links to the menus “Source” and “System settings”.

- To select menu items and set the parameters, turn the SELECT control (8) or use the buttons + (21) and - (23).
- To confirm, push the SELECT control (8) or the buttons ▶|| (22) or ▶▶| (29).
- You can go back one step with the button ↶ (6) or |◀◀ (29).
- The Radio 3sixty will return to normal operation after 30 seconds of button inactivity.

On the next page, you will find an overview of the menu system. All menu items are described on the following pages.







Source menu

Select the sources according to their name in this menu.

You can also find the two following items in this menu:


Standby timer

This function allows the Radio 3sixty to switch itself off after a preset period of time.

1. In the “Source” menu, select the item “Standby timer”. The message “Sleep OFF” will appear on the display panel **(5)**.
2. With the SELECT control **(8)**, set the desired time to shut-off between 15 and 60 minutes in increments of 15 minutes. The setting “Sleep OFF” deactivates the function.
3. Start the desired playback.

The Radio 3sixty will switch to standby after the preset time has elapsed.

Alarms

If the device is on, you can access the “Alarm clock” menu directly by pushing the  button **(10)**.


The alarm function offers two alarm times with the following settings:


- Enable: off, daily, once, weekend, weekdays;
- Date/Time;
- Source: Buzzer, Internet radio, DAB, FM;

- Programme: (not with the “Buzzer” source) favourites 1–30;
- Volume.


For example, you can have the alarm wake you up on work days at 7:00 a.m. with the FM radio and the volume set to 9.

- After setting the alarm time, select the bottom menu item “Save” to activate it.

An active alarm clock is indicated with a bell symbol “

- In standby, switch the alarms on and off one after another by pushing the  button **(10)**.

When the alarm time has been reached, the Radio 3sixty will switch on and play back the desired source. The bell symbol will blink on the display panel.

- To sleep on, push the VOL control **(4)** – the snooze time on the display panel will increase from 5 to 30 minutes each time you push the control.
- To deactivate the alarm clock, push the  button **(10)** or the SELECT control **(8)**.

System settings menu

Equalizer

Here you can configure the sound:

- Normal: unchanged sound
- My EQ: Your sound setting
- My EQ profile setup: Here, you can set the bass and the high tones within a range from “-10 dB” (decrease) to “+10 dB” (increase). Once changed, you can confirm the new values with “Yes”.

Streaming audio quality

You can define the sound quality for transmissions from the Internet here. The better the quality, the greater the amount of data that is transferred. Possible settings: low, normal, high quality.

You should use the high quality to the extent possible. Only switch to one of the lower levels if there are glitches during playback or if you have to pay attention to data consumption.

Network

In this menu, you can manually set the parameters for the Wi-Fi connection. Only for experts.

Network wizard

The network wizard will show a list of the available Wi-Fi networks from which you select your network. It is part of the setup wizard and is described on page 18 from step 6 on.

WPS setup

Connects the Radio 3sixty to the network by pushing the WPS button on the router.

View settings

Shows the parameters for the current Wi-Fi connection.

Wlan region

Here, you can set the region in which you are operating the Radio 3sixty so that the correct standards are applied.

Manual settings

In this menu, you can manually enter all required data for a Wi-Fi connection.

NetRemote PIN setup

You can define the four-digit PIN here, which is required to access the web interface (see „The radio portal“ on page 35). Default setting: “1234”.

Network profile

The Radio 3sixty will save the last four Wi-Fi connections in order to automatically reconnect when changing the location. In this menu, you can display these Wi-Fi connections and delete them as desired.

Clear network settings

Here, you delete all saved Wi-Fi connection data.

Keep network connected?

With this setting, you can set whether the Radio 3sixty switches Wi-Fi off (“NO”) or leaves it switched on (“YES”) in standby. Select “YES” to be able to switch the device on via Wi-Fi. This function is a prerequisite for being able to use network playback without interruption.

Time

Set Time/date

Set the date and time manually here.

Update time

Here, you can set how the time should be automatically set:

- via DAB radio;
- via FM radio (using RDS);
- via the Internet – enter the time zone and Daylight savings here in the next step;
- No update – enter the date and time manually here.

set format

Set the display format for the time here: 12 hours (with AM/PM) or 24 hours.

Only for an update via the Internet:

- **Set timezone**
Select your time zone from the list.
- **Daylight savings**
Here you can switch summer time on and off.

Language

Select the language for the display: Deutsch or English.

Factory reset

This clears all modified settings: The Radio 3sixty will restart and restore the default settings in the process.

Software update

Auto-check setting

You can switch automatic updating of the firmware version on and off here.

Check now

The Radio 3sixty immediately checks whether there is a new firmware version available.

NOTICE

Risk of damage!

– *During an update, the Radio 3sixty must not be disconnected from the power supply!*

Service

Only for service: The Radio 3sixty is switched to DFU mode here.

To terminate the DFU mode, temporarily disconnect the Radio 3sixty from the mains.

Setup Assistant

You launch the setup assistant here (see page 18).

Info

Displays the versions of the system programmes and the ID of the Radio 3sixty.

Data privacy

Here, you can find the link to the data privacy declaration.

Backlight

Here, you set the brightness of the display panel.

Standby fade Out Time – duration of illumination in standby: Always on (“No fade out”) or switch off after 10–180 seconds.

On level – high, medium, low

Standby level – medium, low, off

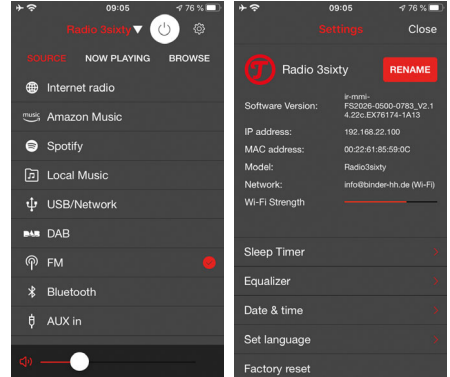
The Teufel Remote App

You can use the Teufel Remote App to conveniently control many functions of your Radio 3sixty via smartphone or tablet.

Load the app here:



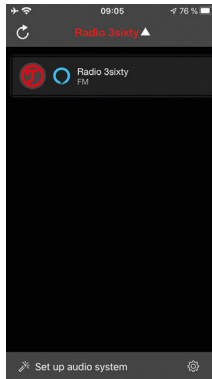
After setup, you can use the Teufel Remote App to select and control the playback source of the Radio 3sixty, to adjust the volume and to conveniently choose music.



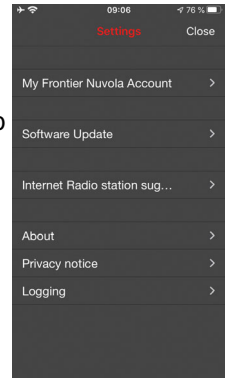
Select your device from the list to be able to access the sources and settings.

Alternatively, you can tap “Set up audio system” below to set up your device. Launch the setup wizard on the

Radio 3sixty and follow the instructions on the screen.



You can also configure settings for the Teufel Remote App and you can search for and install updates for the Radio 3sixty.



Under the following link, you can learn more about the Teufel Remote App:

<https://teufelaudio.com/remote-app>



Internet Radio

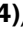

The Radio 3sixty can receive thousands of radio stations and podcasts from around the world via the Internet.

Prerequisite: Wi-Fi connection with Internet access.

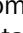
To receive Internet radio, the Radio 3sixty requests a list of the available stations from “Frontier NuvoLa Smart Radio”, which has already been broken down into different categories (e.g. Pop, Jazz, Country).

When you select a station, the Radio 3sixty will directly connect to the station via the Internet.

You can also register on this portal in order to compile an own list of your favourite stations and download it to your device or to multiple devices (see page 35).

- Push the  button **(14)/(27)** multiple times until “Internet radio” appears on the display panel **(5)** and push the SELECT control **(8)** or the  button **(22)**.
- Or select “Internet radio” in the “Source” menu.

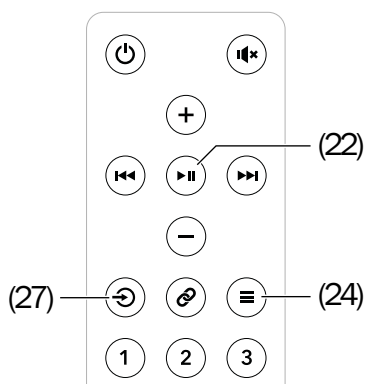
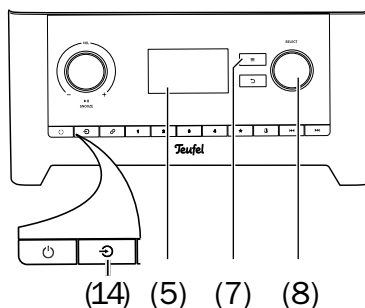
Selecting stations

- Push the  button **(7)/(24)** to select the submenu for Internet radio:

Last listened – the last stations heard are listed here.

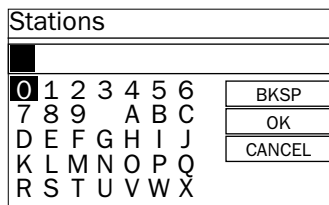
Station list – you can find different lists of the portal here, including your favourites.

The portal lists are regularly updated and can change as a result.

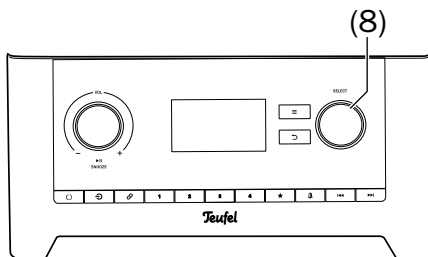


In the list of stations, there is a search function for “Stations” and “Podcasts”:

1. Select "Search ..." in the respective menu.

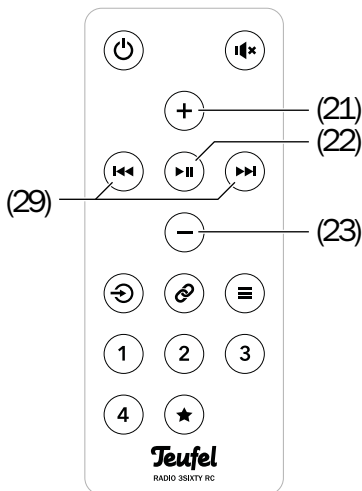


2. Use the SELECT control **(8)** or the buttons **+ (21) (up)** **– (23) (down)** **◀▶ (29) (left/right)** to select a symbol.



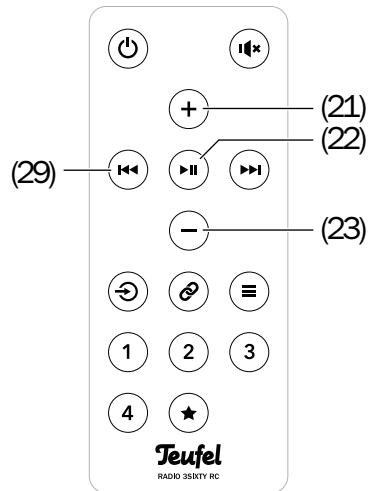
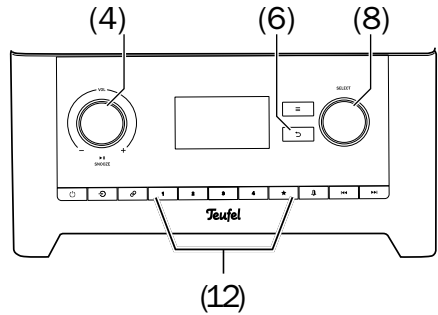
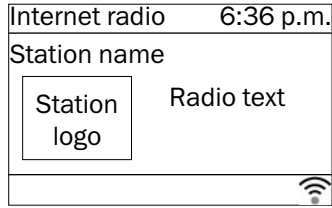
3. By pushing the SELECT control **(8)** or the **▶|| (22)** button, you adopt the symbol at the top of the input line. **[BKSP]** deletes the last symbol, **[OK]** ends input, **[CANCEL]** aborts the process. The Radio 3sixty will now scan for stations whose name contains the search term and it will display them in a list.

- If the station you searched for cannot be found in a list, you can add stations via the radio portal, which then appear in the list “My added radio stations” (see „The radio portal“ on page 35).



Playback

- From one of the lists, select the desired station with the SELECT control **(8)** or push the buttons + **(21)** and - **(23)**.
- Push the SELECT control **(8)** or the **▶||** button **(22)**. Playback will begin after a short loading time.
- By turning the SELECT control **(8)**, you return to the previous list where you can select another station.
- You can go back to the respective parent list by repeatedly pushing the button **↶** **(6)** or **⏪** **(29)**.



Station memory

In Internet radio mode, you have 30 station memory slots available, which you can save on the device independently from the radio portal (see page 35):

1. To save the station that you have currently set, push the ★ button **(11)/(25)** until the menu “Save preset” appears on the display panel.
2. Select the desired station memory with the SELECT control **(8)** or the buttons + **(21)** and – **(23)**.
3. Push the SELECT control **(8)** or the ►|| button **(22)**.

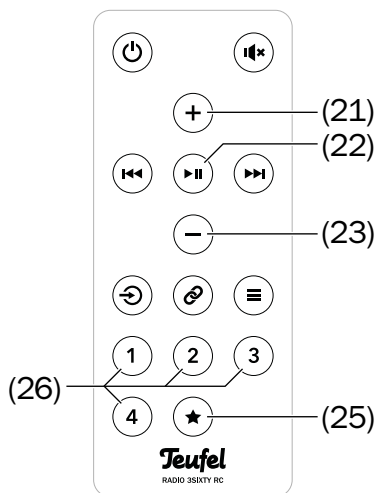
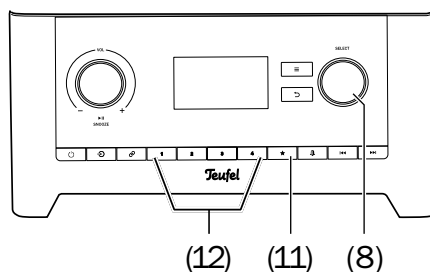
The station has now been saved.

1. To access it, tap the ★ button **(11)/(25)**. The menu “Access preset” will appear on the display panel.
2. Select the desired station memory with the SELECT control **(8)** or the buttons + **(21)** and – **(23)**.
3. To access the station, push the SELECT control **(8)** or the ►|| button **(22)**.

Station buttons

You can easily occupy and access the station memory slots 1-4 with the station buttons 1-4 **(12)/(26)**:

- To save the station that you have currently set, push the desired station button until the message “Station saved” appears on the display panel.
- To access it, tap the desired station button in Internet radio mode.



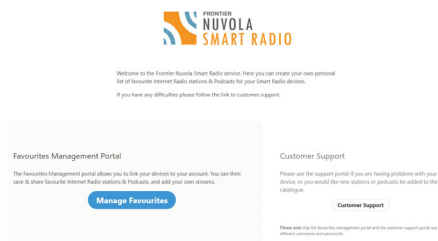
The radio portal

Via the “Frontier Nuvola Smart Radio” portal, you can organise your favourites, add new radio stations and play stations directly on your PC.

Prerequisite: Wi-Fi connection with Internet access.

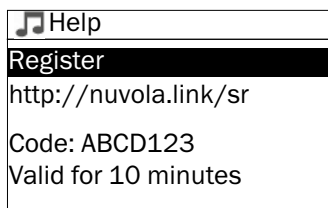
Access this address with your web browser:

<http://nuvola.link/sr>



To register on this page, you will need an access code, which is generated by your Radio 3sixty and is only valid for a few minutes:

1. In the “Internet radio” menu, select the items “Station list -> Help -> Get access code”.



2. Note the seven-digit code.

3. Register on the radio portal. For this, you will need:

- the access code
- your e-mail address
- a new password
- the model designation “Radio 3sixty”

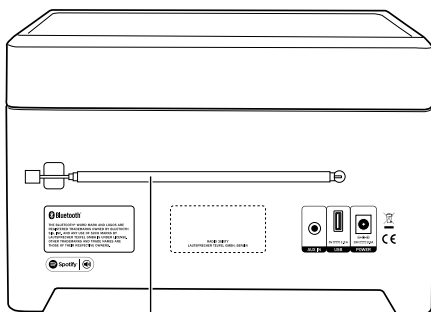
If you have already registered on the radio portal and would like to add this Radio 3sixty as an additional device, log on with your user data and access “Devices”. There you can add further devices, for which you will again need the access code of the device.

You can then synchronise your favourites on all registered devices.

Radio Mode

The Radio 3sixty is equipped with a radio for DAB/DAB+ and FM/USW.

- DAB: Reception of digital radio stations in band III from 174.928 to 239.200 MHz (block 5A to 13F).
- FM: Reception of analogue radio stations in the USW range from 87.5 to 108 MHz, RDS mode is possible.
- The integrated telescopic antenna **(19)** ensures good reception. To receive radio stations, always pull the antenna all the way out. If applicable, adjust its position for better reception later.



(19)

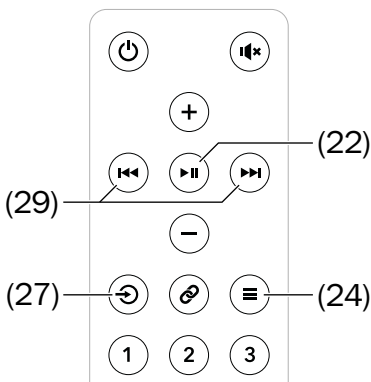
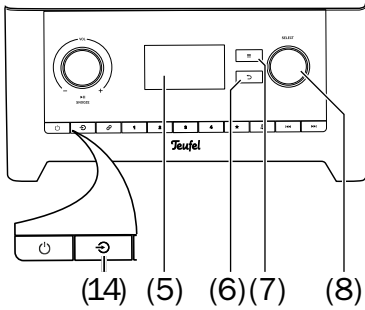
DAB/DAB+

- Push the **↻** button **(14)/(27)** multiple times until “DAB+ radio” appears on the display panel **(5)** and push the SELECT control **(8)** or the **▶||** button **(22)**.
Or select “DAB” in the “Source” menu.

If the list of stations is empty (e.g. at start-up), the Radio 3sixty will now search for radio stations in the DAB/DAB+ range. You can also start this search at any time via the menu with “Full search”.

Otherwise playback will start with the last station you heard.

- Use the buttons **◀◀/▶▶** **(29)** to skip to the previous/next station in the list.
- By turning the SELECT control **(8)**, you return to the previous list where you can select another station.
- You can go back to the respective parent list by repeatedly pushing the button **↶** **(6)** or **◀◀** **(29)**.



- Push the **≡** button **(7)/(24)** to access the submenu for DAB radio:

List of stations

All stations that are found are listed here.

Scan

Deletes the list of stations and reassembles it. This may be necessary after changing location.

Manual tune

You can manually add frequency ranges (blocks) to the list of stations here.

Prune invalid

With this function, you delete stations from the list of stations whose signal is too weak for clear reception. This may be necessary after changing location.

DRC



Some stations offer dynamic range compression. Thus, quiet passages are amplified while the volume of loud passages is decreased. This can be helpful when listening in loud surroundings. Possible settings: off, high, low.

Station order


You sort the list of stations here:

- Alphanumeric – by station name
- Ensemble – by groups of stations
- Valid – stations with a weak signal or which are not received at all are placed at the end of the list.

FM (USW)


- Push the  button **(14)/(27)** multiple times until “FM radio” appears on the display panel **(5)** and push the SELECT control **(8)** or the  button **(22)**.
Or select “FM” in the “Source” menu.

Setting stations

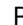
Use the SELECT control **(8)** and the buttons  **(29)** to set the stations manually:

- Each time you turn the control or tap the buttons, the receiving frequency on the display panel **(5)** will be decreased/increased by 50 kHz.

The automatic search run will find stations that can be received in sufficient quality.

- Start the automatic search run by pushing the buttons  **(9)/(29)** for a prolonged period.

The name of the set station appears on the display panel **(5)** after a short time.

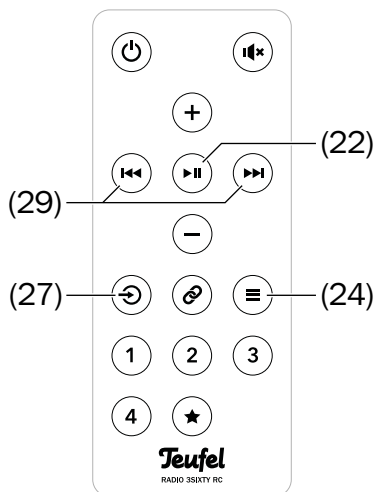
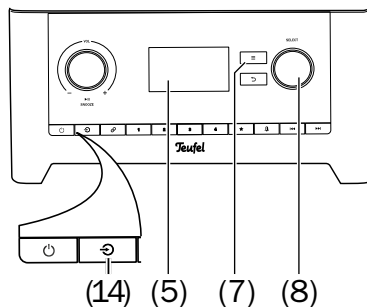
- Push the  button **(7)/(24)** to access the submenu for FM radio:

Search setting

Only find stations with a strong signal (Yes/No).

Stereo setting

In case of stations with severe noise, you can switch to mono mode here.



Saving and accessing stations

Station memory

30 station slots are available for DAB and FM each.

1. To save the station that you have currently set, push the ★ button **(11)/(25)** until the menu “Save preset” appears on the display panel.
2. Select the desired station memory with the SELECT control **(8)** or the buttons + **(21)** and – **(23)**.
3. Push the SELECT control **(8)** or the ►|| button **(22)**.

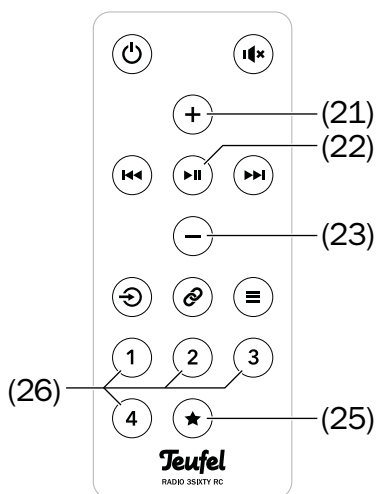
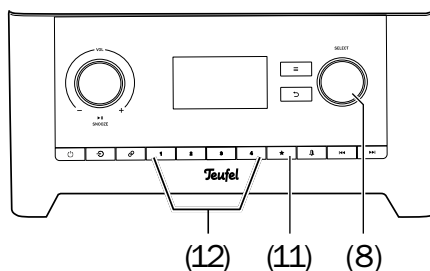
The station has now been saved.

1. To access it, tap the ★ button **(11)/(25)**. The menu “Access preset” will appear on the display panel.
2. Select the desired station memory with the SELECT control **(8)** or the buttons + **(21)** and – **(23)**.
3. To access the station, push the SELECT control **(8)** or the ►|| button **(22)**.

Station buttons

You can easily occupy and access the station memory slots 1-4 with the station buttons 1-4 **(12)/(26)**:

- To save the station that you have currently set, push the desired station button until the message “Station saved” appears on the display panel.
- To access it, tap the desired station button.

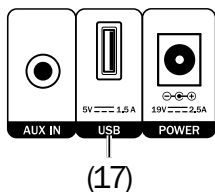


USB/Network

With this, you can play audio files of the formats MP3, MP4, WMA, WAVE and ALAC from USB storage devices and from the local network.

USB

You can connect conventional USB sticks and USB hard drives with the specifications USB 1.0 to 3.0, which are formatted to “FAT32” and have a maximum capacity of 128 GB, to the USB port **(17)**. Up to 5,000 files can be saved on it in up to 8 directory levels.



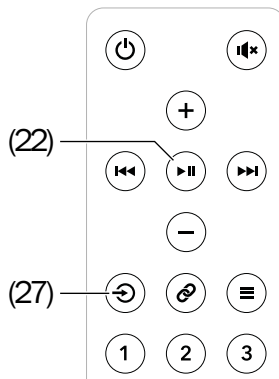
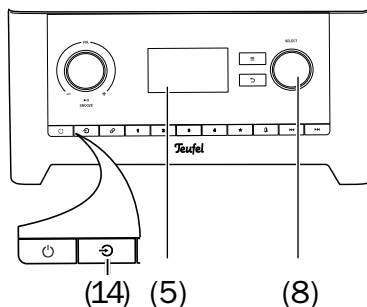
Insert the USB stick or the plug of your USB device in the USB jack. The plug only fits the jack in one orientation.

As soon as the Radio 3sixty recognises the storage device, the notice “USB disk connected. Open folder?” will appear on the display panel and “Yes” is selected.

- Push the SELECT control **(8)** or the **▶||** button **(22)**.
The file list for the USB storage device will now be shown.

If the USB storage device has been connected for a prolonged period, you can access the file list as follows:

1. Push the **⌂** button **(14)/(27)** multiple times until “USB/Network” appears on the display panel **(5)** and push the SELECT control **(8)** or the **▶||** button **(22)**. Or select “USB/Network” in the “Source” menu.
 2. In the menu, select the “USB” item. The file list for the USB storage device will appear after a short time.
- Proceed as described under “Play-back” further down.



Network

Prerequisites: Wi-Fi connection and option “Keep network connected?” are enabled (see page 28).

As a DMP (digital media player), the Radio 3sixty is able to connect to any local UPnP/DLNA digital media server (DMS) via the network and play back audio media provided there.

DMS are available as programmes for all phone and PC operating systems. Some network drives (NAS) and routers also have such functions.

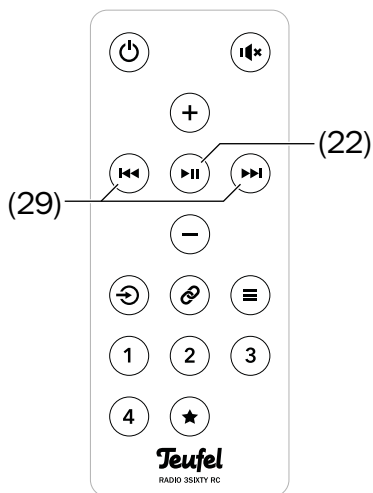
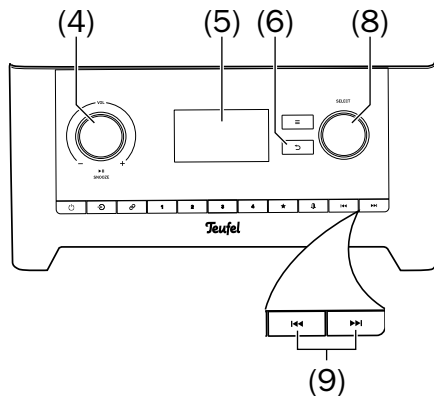
For DMP operation, you will need a corresponding server in your network.

1. Push the **↻** button **(14)/(27)** multiple times until “USB/Network” appears on the display panel **(5)** and push the SELECT control **(8)** or the **▶||** button **(22)**. Or select “USB/Network” in the “Source” menu.
2. In the menu, select the item “Shared media”. A list of the available servers will appear after a short time.
 - If your DLNA server is not shown, make sure that your server is online.
 - A question mark as the first character in the name means that this server is currently unavailable but may be switched on via “Wake on LAN”. As soon as you select such a server, the Radio 3sixty will attempt to activate it via the network.

3. Select the desired server. Now, the playlist for the server will be shown. In many cases this is a selection of media types at first. The Radio 3sixty can only play back audio data – in most cases, this list is referred to as “Music” or “Musik”. Other lists are often located behind it.

Playback

- Select the first track of your choice from the list and start playback by pushing the SELECT control **(8)** or the **▶||** button **(22)**.
- Pause playback: Push the VOL control **(4)** or the **▶||** button **(22)**.
- Continue playback: Push the VOL control **(4)** or the **▶||** button **(22)** again.
- Play next track: Tap the **▶▶** button **(9)/(29)**.
- Restart the current track: Tap the **◀◀** button **(9)/(29)**.
- Play previous track: Tap the **◀◀** button **(9)/(29)** twice.
- By turning the SELECT control **(8)**, you return to the previous list where you can select another track.
- You can go back to the respective parent list by repeatedly pushing the button **⏪** **(6)** or **◀◀** **(29)**.




My Playlist

You can find the playlist in the “USB/ Network” submenu. You can also add tracks from different servers to this list and play them.

- Pushing and holding the SELECT control **(8)** adds the current track to your playlist.
- To delete the playlist, access the menu item “Clear My playlist”.


Repeat play

With this menu item, you activate and deactivate the repeat function for the current list.

When the function is switched on, the symbol  appears in the status line.

Shuffle play

With this menu item, you switch the random playback of all tracks in the current list on and off.

When the function is switched on, the symbol  appears in the status line.

Prune servers


With this menu item, you delete servers that are not available (those that have a question mark as the first character in the name) from the list of servers. This may be necessary e.g. after changing location.

DMR

As UPnP/DLNA DMR (digital media renderer), the Radio 3sixty will provide its playback functions on the network and can be controlled by a digital media controller (DMC).

Prerequisites: Wi-Fi connection and option “Stay connected?” are enabled (see page 28).

Windows Media Player is one such DMC. You can specify a network playback device for this and other playback programmes – a DMR, for example – where playback is to occur. Specify the Radio 3sixty here and start playback.

- You control playback on your DMC.
- On the Radio 3sixty, you can continue or interrupt playback by pushing the VOL control **(4)** or the  button **(22)**.

Bluetooth® Mode

Via Bluetooth®, you can wirelessly connect a compatible external player with the Radio 3sixty. The audio output of the external player is then emitted by the Radio 3sixty.

The Bluetooth® wireless transmission system has a range of approximately 10 metres that is limited by walls and furnishings. If the connection is cut off, the Radio 3sixty will attempt to re-establish a connection until you select another source.

NOTICE


- *Only use the Bluetooth® function in locations where wireless radio transmission is allowed.*
- *Please keep in mind that the Bluetooth® behaviour may differ depending on the external player's operating system.*

Bluetooth® options

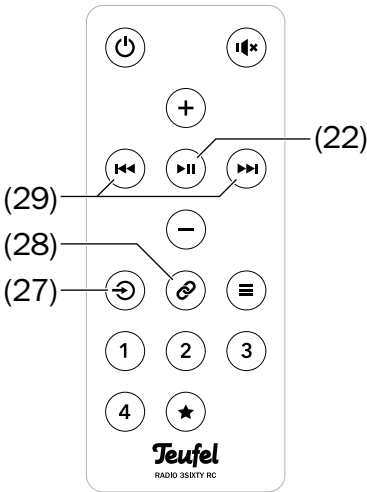
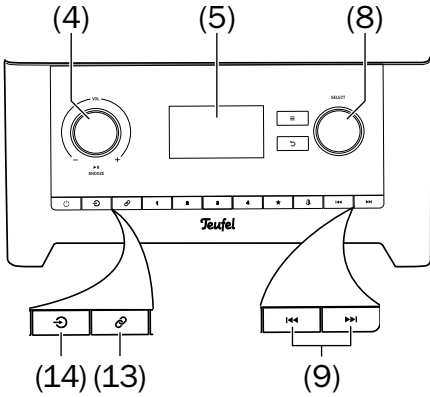
Depending on the device type, your external player/smartphone may also have a menu for Bluetooth® options such as media playback. You can find more information about the Bluetooth® options in the user manual for your external player/smartphone.

Pairing

To play the audio of your external player on your Radio 3sixty via Bluetooth®, connect the devices with each other. This is called “Pairing”.

1. Enable the Bluetooth® function on your external player (e.g. smartphone).
2. Tap the  button **(13)/(28)** to start pairing. The Bluetooth® symbol will blink on the display panel.
3. Let your external player/your smartphone search for Bluetooth® devices (see the user manual for the external player to do so). After the search run, the “Teufel Radio 3sixty” should also be present in the list of detected devices.
4. Select “Teufel Radio 3sixty” from the list of detected devices.
5. If your external player asks for a code, enter “0000” (four zeros).

Pairing is now complete. “Bluetooth” will appear on the display panel and all sounds that would otherwise be played by your external player/smartphone will now be played back by the Radio 3sixty.



Playback

i The volume setting of the external player affects the volume of the Radio 3sixty.

1. Push the **Bluetooth** button **(14)**/**(27)** multiple times until “Bluetooth” appears on the display panel **(5)** and push the **SELECT** control **(8)** or the **▶▶** button **(22)**.
Or select “USB/Network” in the “Source” menu.
2. Turn on the Bluetooth® function on your source device.
3. Start playback on your source device.

You can control playback on your source device. You can also control some functions on the Radio 3sixty:

- Pause playback: Push the **VOL** control **(4)** or the **▶▶** button **(22)**.
- Continue playback: Push the **VOL** control **(4)** or the **▶▶** button **(22)** again.
- Play next track: Tap the **▶▶** button **(9)**/**(29)**.
- Restart the current track: Tap the **◀◀** button **(9)**/**(29)**.
- Play previous track: Tap the **◀◀** button **(9)**/**(29)** twice.
- If your source device is a smartphone, the Bluetooth® connection will be interrupted in the event of an incoming call and you can make phone calls as usual. After finishing your phone call, the sounds will once again be diverted and played back by your Radio 3sixty.

Interruption of connection

If your source device moves out of the range of your Radio 3sixty, the Bluetooth® connection will be interrupted. If you are back within range within 120 seconds, the connection will be re-established automatically.

Terminating the connection

To terminate the Bluetooth® connection,

- deactivate the Bluetooth® function on your external player/smartphone or
- access the menu on the Radio 3sixty and select “Disconnect Bluetooth”.

Amazon Music

With the Teufel Remote App you can register your Radio 3sixty with Amazon Music®:

1. Start the app on your smartphone/tablet.
2. Select your Radio 3sixty from the list of devices.
3. Select “Amazon Music” as the source.
4. Tap “Browse”.
The Amazon® login screen will appear in the app.
5. Log on with your Amazon account or create a new account.
For this, follow the on-screen instructions.

Once you have logged on, you can, depending on your Amazon subscription, access Amazon Music.

You can also use a voice command to control the Radio 3sixty via an Alexa®-compatible loudspeaker (echo, echo dot, etc.). How to set this up, you can find out here:



<https://teufelaudio.com/remote-app>

Note: Due to possible interface updates and consequent changes in the setup process, we have provided the installation guide online.

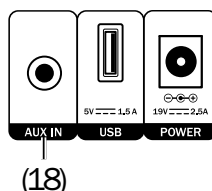
Spotify Connect

Use your smartphone, tablet or computer as a remote control for Spotify®.

For more information about this, visit “spotify.com/connect”.

AUX Input

You can connect a source device with an analogue line out jack or an earphone jack (e.g. a CD player or TV set) to the AUX IN jack **(18)**. You will need a stereo cable with a 3.5-mm jack plug to do so.



Playback

1. Select “Aux input” as the source.
2. Start playback on your external player.

i The volume setting of the external player affects the volume of the Radio 3sixty.

3. Control all playback functions via the external player.

Care And Cleaning

NOTICE


External influences may damage or destroy the device.

- *If the device is to be left unsupervised for a prolonged period of time (e.g. during a holiday), or if a thunder-storm is forecast, disconnect the mains adapter from the socket. Otherwise, sudden overvoltage could cause the device to become defective.*
- *If possible, only use plain water without any additives. In case of stubborn marks, a mild soap solution may be used.*
- *Do not use caustic cleaning products, white spirit, thinners, petrol or similar under any circumstances. Such cleaning agents may damage the delicate surface of the housing.*

- Ideally, you should remove dust or small amounts of dirt with a dry, smooth leather cloth.
- Use a damp cloth to rub off stubborn dirt. Make sure that no liquid penetrates the housing.
- Then immediately wipe the damp surfaces off with a soft cloth without applying pressure.


Troubleshooting

The following advice should help you to solve problems. If this does not help, you will find useful information in the detailed FAQs on our website. Otherwise, please contact our hotline (see page 3). Take note of the warranty instructions.

Problem	Possible cause	Solution
No function	No power supply	Check the function of the socket with another device.
	The small plug of the mains adapter has slipped out	Check the connection of the mains adapter (page 17).
The device doesn't emit any sound	The wrong source has been selected	Select the right source (page 20).
	The volume is set to "0"	Increase the volume.
	The volume of the external player has been set too low	Carefully increase the volume of the external player.
No sound in Bluetooth® mode	No Bluetooth® connection	Establish a connection (see page 44).
	Radio 3sixty has not been selected as the output device	On the external player, select "Teufel Radio 3sixty" as the Bluetooth® output device.
	Bluetooth® connection impaired by another radio system (e.g. cordless telephone, Wi-Fi)	Set up the Radio 3sixty and/or external player in another location. Move to another room to test.
No Wi-Fi connection,  appears on the display panel	Connection to Wi-Fi lost or incorrect parameters received.	Delete the network settings (see "Clear network settings" on page 27), and start the network wizard (see "Network wizard" on page 27).

Network playback (DLNA) cuts out.	Network option “Keep network connected?” is not enabled.	Set the option to “Yes” (see „Keep network connected?” on page 28).
Playback is noisy.	Generally speaking, the Radio 3sixty is a very low-noise system. In the high range area, very high-resolution speaker systems can expose the poor quality of a signal source (e.g. from MP3 files).	Ensure that the source is sending a clear signal to the Radio 3sixty.

Declaration Of Conformity

 Lautsprecher Teufel GmbH hereby declares that this product complies with the requirements of the directives 2014/30/EU, 2014/35/EU and 2014/53/EU to the extent they are installed and used in accordance with the instructions of the manufacturer. The full text of the EU declaration of conformity is available at the following Internet address:

www.teufelaudio.com/konformitaetserklaerungen.html

The following radio frequency bands and radio transmitting powers are used in this product:

Radio network	Frequency bands in GHz	Transmission power in mW/dBm
Bluetooth®	2.4–2.4835	2.5/4
Wi-Fi	2.3995-2.4845 5.150–5.350/5.470–5.725	50/17 50/17

Technical Data

Radio 3sixty

Dimensions (W × H × D):	280 × 170 × 135 mm
Weight:	2.5 kg

Mains adapter

Manufacturer's name:	Lautsprecher Teufel GmbH
Manufacturer's address:	Budapester Straße 44 D-10787 Berlin
Commercial registration number:	HRB198813B
Model identifier:	Dong Guan City GangQi Electronic Co., Ltd. G060-190250-AG
Input:	100–240 V~, 50/60 Hz
Output:	19.0 V DC / 2.5 A / 47.5 W
Average efficiency:	89.3 %
Efficiency at low load 10%:	84.9 %
No load power consumption:	0.06 W

You can find further technical data on our website. Technical changes reserved!

Teufel

Please contact our customer service department with any questions, suggestions, or complaints:

Lautsprecher Teufel GmbH

BIKINI Berlin

Budapester Str. 44

10787 Berlin (Germany)

Telephone: 00800 200 300 40 (toll-free)

Fax: +49 (0)30 / 300 930 930

Online support: www.teufelaudio.com/service

Contact form: www.teufelaudio.com/contact

No responsibility is assumed for the correctness of this information.
Technical changes, typographical errors and other errors reserved.