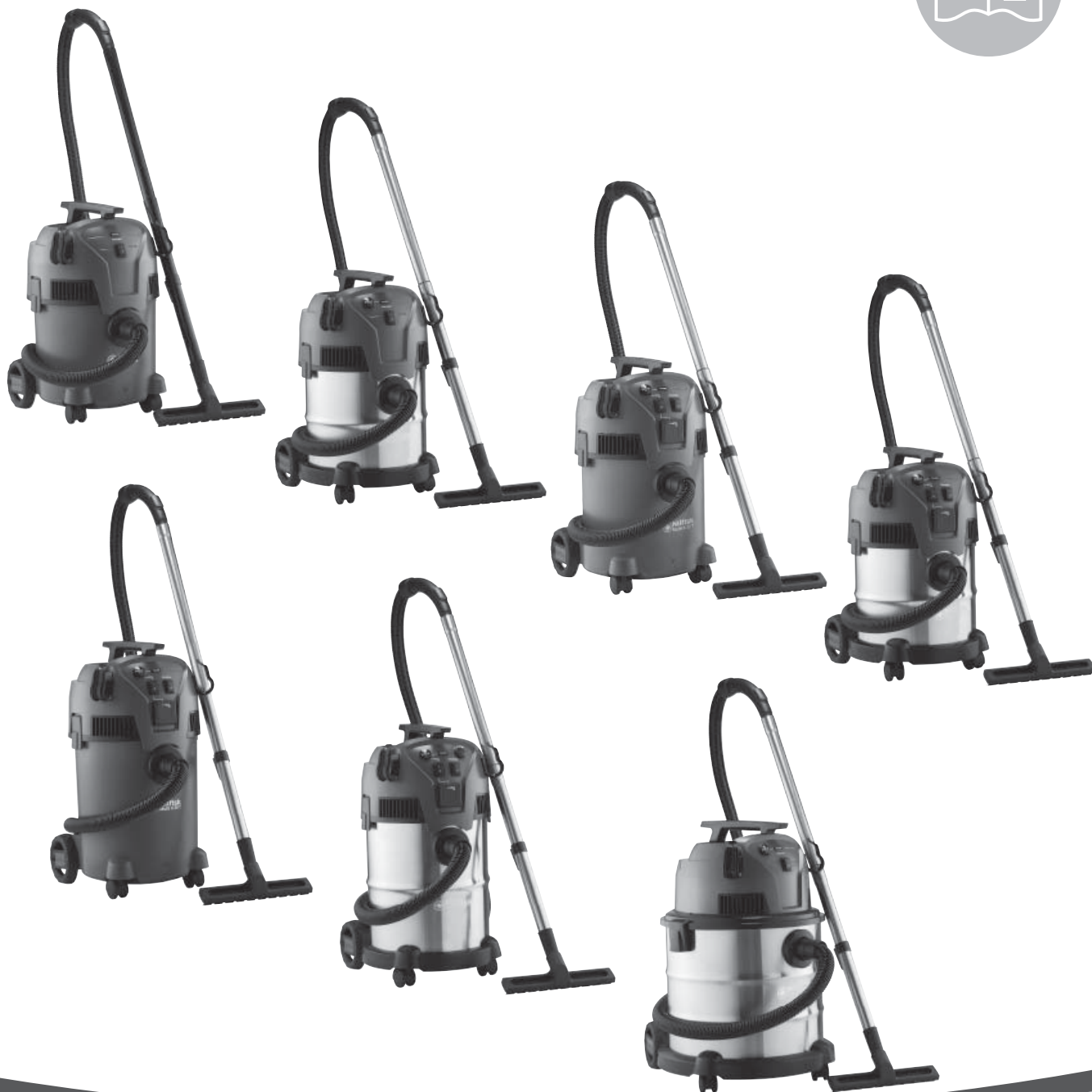




## Instructions for use





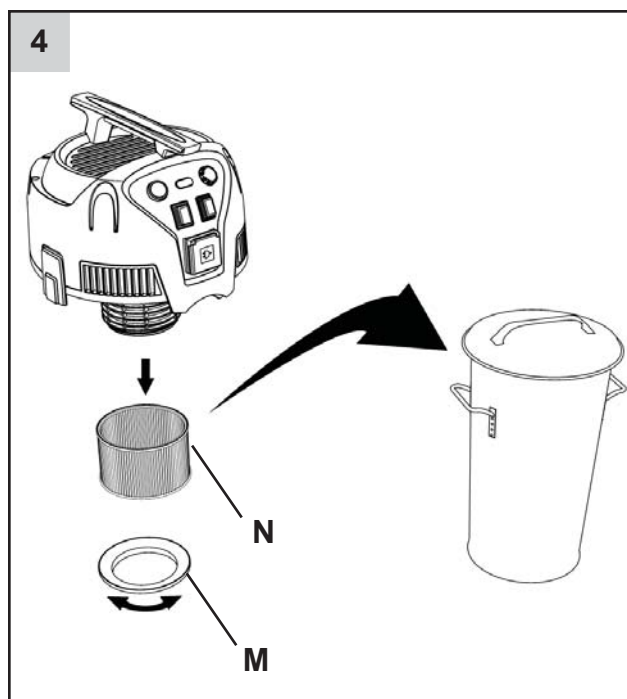
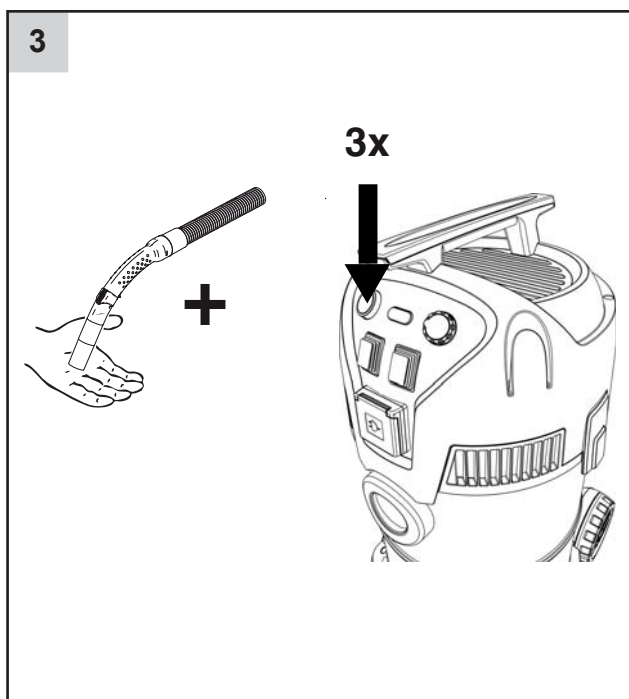
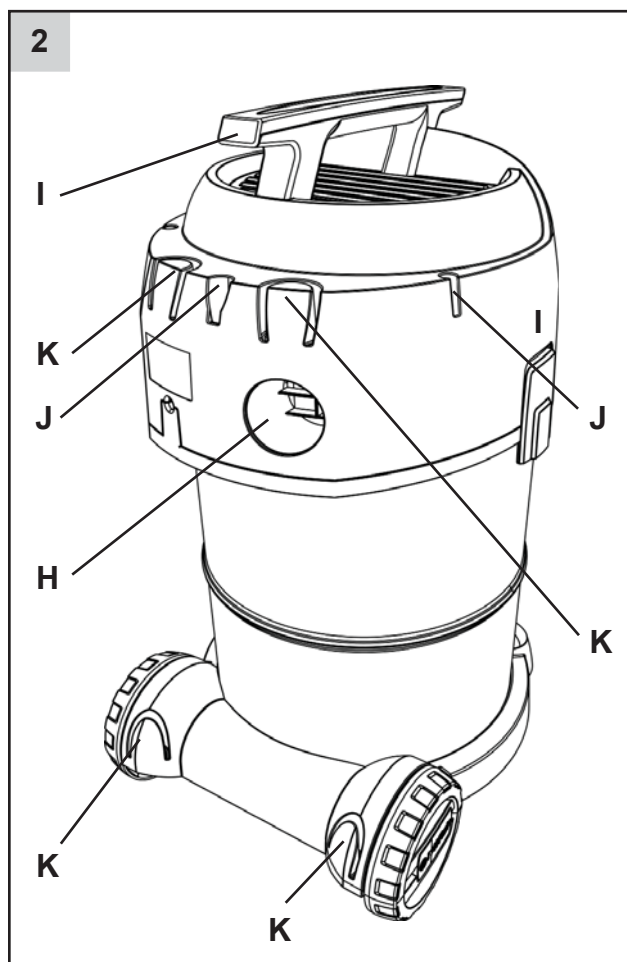
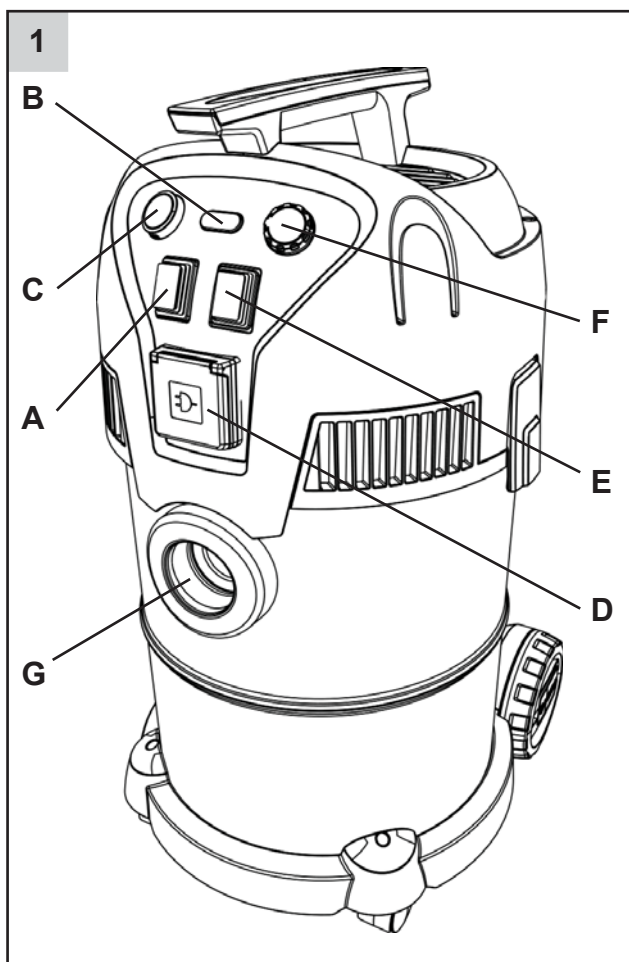


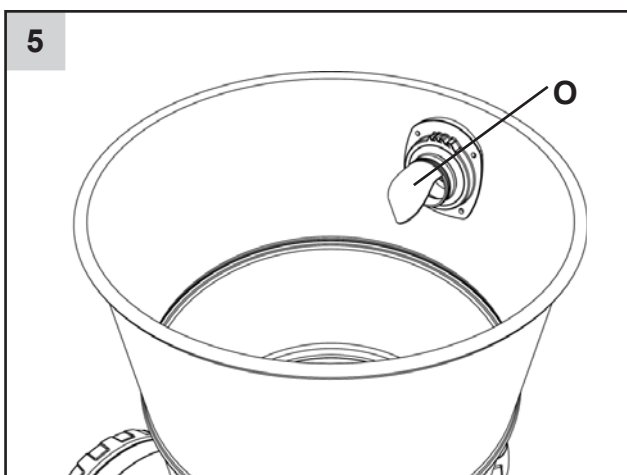
# Nilfisk

## Multi II

EN	Instructions for use .....	6 - 10
DE	Betriebsanleitung.....	11 - 16
FR	Instructions d'utilisation .....	17 - 22
NL	Gebruiksaanwijzing .....	23 - 28
IT	Istruzioni sull'uso .....	29 - 34
NO	Instruksjonsbok.....	35 - 39
SV	Bruksanvisning .....	40 - 44
DA	Brugsvejledning.....	45 - 49
FI	Käyttöohje.....	50 - 54
ES	Instrucciones de manejo.....	55 - 59
PT	Instruções de operação .....	60 - 65
EL	Οδηγίες χρήσης.....	66 - 71
TR	Kullanım Kılavuzu.....	72 - 79
SL	Priručnik za korisnike .....	80 - 84
HR	Navodila za uporabo.....	85 - 89
SK	Návod na používanie.....	90 - 94
CS	Návod k obsluze .....	95 - 99
PL	Instrukcja obsługi.....	100 - 105
HU	Használati útmutató.....	106 - 111
RO	Instrucțiuni de utilizare.....	112 - 117
BG	Инструкции за работа .....	118 - 123
RU	Руководство .....	124 - 129
ET	Kasutamishüend.....	130 - 134
LV	Lietošanas instrukcijas .....	135 - 139
LT	Naudojimosi instrukcija.....	140 - 144
JA	取扱説明書.....	145 - 150
AR	تعليمات الاستخدام .....	151 - 155

- EN
- DE
- FR
- NL
- IT
- NO
- SV
- DA
- FI
- ES
- PT
- EL
- TR
- SL
- HR
- SK
- CS
- PL
- HU
- RO
- BG
- RU
- ET
- LV
- LT
- JA
- AR





**Optional accessories - Optionales Zubehör - Accessoires en option - Optionele accessoires - Accessori opzionali - Valgfritt tilbehør - Valfria tillbehör - Ekstra tilbehør - Accesorios opcionales - Acessórios opcionais - Προαιρετικά εξαρτήματα - İsteğe bağlı aksesuarlar - Dodatna oprema - Opcijski pribor - Doplnkové príslušenstvo - Voliteľné príslušenství - Opcionális kiegészítők - Accesorii opționale - Acessórios opcionais - Lisävarusteet - Opcjonalne akcesoria - Допълнителни принадлежности - Дополнительные принадлежности - Valikulised tarvikud - Papildu piederumi - Atskirai užsakomi priedai - オプションアクセサリー - الملحقات الاختيارية**

107417190	Premium car kit Araç kiti	
107417191	Convenience kit Kolaylık kiti	
107417192	Suction hose 2.5 m, 1 pcs. Emme hortumu 2,5 m, 1 parça	
107417193	Suction hose 4 m, 1 pcs. Emme hortumu 4 m, 1 parça	
107417194	Filter kit, 1 pcs. Filtre kiti, 1 parça	
107417195	Dust bag fleece 22 l / 30 l, 4 pcs. Polar toz torbası. 22 l / 30 l, 4 parça	
107417196	Dust bag fleece 50 l, 4 pcs. Polar toz torbası. 50 l, 4 parça	
107417197	Floor nozzle D 36 W/D 1, 1 pcs. Zemin başlığı D 36 W/D 1, 1 parça	

EN

**Dear Nilfisk customer**

Congratulations on the purchase of your new Nilfisk vacuum cleaner.

Prior to using the appliance for the first time, be sure to read this document through and keep it ready to hand.

DE

FR

NL

IT

NO

SV

DA

FI

ES

PT

EL

TR

SL

HR

SK

CS

PL

HU

RO

BG

RU

ET

LV

LT

JA

AR

**Purpose and intended use**

The vacuum cleaner is suitable for private use, e.g. for household, hobby workshops, car cleaning - sucking up non-hazardous dust and non-flammable liquids.

**Symbols used to mark instructions****WARNING**

Danger that can lead to serious injuries and damage.

**Important warnings****WARNING**

- No changes to the mechanical, electrical or thermal safety devices must be made.
- This appliance can be used by children aged from 8 years and above and persons with reduced physical, sensory or mental capabilities or lack of experience and knowledge if they have been given supervision or instruction concerning use of the appliance in a safe way and understand the hazards involved.
- Children shall be supervised to make sure that

they do not play with the appliance.

- Cleaning and user maintenance shall not be made by children without supervision.
- Never spray water on the upper section of the vacuum cleaner. Danger for persons, risk or short-circuiting.
- Never use the vacuum cleaner if the filter is not installed or if damaged.
- The vacuum cleaner features a blow function. Do not blow the air out in the open space. Only use the blow function with a clean tube. Dust may be harmful to health.

**Hazardous materials****WARNING**

Vacuuming up hazardous materials can lead to serious or even fatal injuries. The following materials must not be picked up by the vacuum cleaner:

- hazardous dust
- hot materials (burning cigarettes, hot ashes etc.)
- flammable, explosive, aggressive liquids (e.g. petrol, solvents, acids, alkalis, etc.)

- flammable, explosive dust (e.g. magnesium or aluminium dust etc.)

## Electrical connection

### WARNING



- Before using the vacuum cleaner make sure that the voltage shown on the rating plate of the vacuum cleaner corresponds to the voltage of the local mains power supply.
- It is recommended that the vacuum cleaner should be connected via a residual current circuit breaker.
- The vacuum cleaner must not be used if the electrical cable or plug shows any sign of damage. Regularly inspect the cable and the plug for damage. If the power cord is damaged, it must be replaced by Nilfisk Service or an electrician to avoid danger before use of the vacuum cleaner is continued.
- Do not handle the electrical cable or plug with wet hands.
- Do not unplug by pulling on cable. To unplug, grasp the plug, not the cable. The plug must always be removed from the socket

outlet before starting any service or repair work of the machine or cable.

## Maintenance

Always remove the electric plug from the socket before carrying out maintenance work on the machine.

## Recycling the vacuum cleaner



The packaging materials can be recycled. Please recycle the components instead of throwing them in your household rubbish. You can also leave the packaging directly at your Nilfisk location to be properly recycled from there.

As specified in WEEE Directive 2012/19/EC on old electrical and electronic appliances, used electrical goods must be collected separately and recycled ecologically. Contact your local authorities or your nearest dealer for further information.

## Warranty

Nilfisk guarantees vacuum cleaners for domestic use for 2 years. If your vacuum cleaner or accessories is/are handed in for repair, a copy of the receipt must be enclosed.

Guarantee repairs are being made on the following conditions:

- that defects are attributable to flaws or defects in materials or workmanship. (wear and tear as well as misuse are not covered by the guarantee).
- that the directions of this instruction manual have been thoroughly observed.
- that repair has not been carried out or attempted by other than Nilfisk-trained service staff.
- that only original accessories have been applied.
- that the product has not been exposed to abuse such as knocks, bumps or frost.
- that the vacuum cleaner has not been used for rental nor used commercially in any other way.

Batteries, lamps and wearing parts are excluded from the warranty.

In the event of defects arising during the duration of the warranty and of which Nilfisk is given notice, Nilfisk will, of their own choice, either repair the defects, replace the unit or refund the purchase price upon return of the unit. Opening the unit housing causes the warranty to become void. Further claims may not be made on the basis of the warranty. The statutory

EN

DE

FR

NL

IT

NO

SV

DA

FI

ES

PT

EL

TR

SL

HR

SK

CS

PL

HU

RO

BG

RU

ET

LV

LT

JA

AR

EN

warranty rights of the customer remain unaffected. Manufacturer warranty claims shall be made to the manufacturer. Statutory warranty rights also remain unaffected in this case.

DE

FR

### Picking up liquids

Before liquids are picked up, always remove the dust bag. Make sure the machine is equipped with a filter appropriate for wet suction. Check that the float works properly. If foam develops or liquid emerges from the machine, stop work immediately and empty the dirt tank.

NL

IT

NO

SV

### Connecting electrical appliances

Use the socket on the vacuum cleaner for the purpose defined in the operating instructions only. Before plugging an appliance into the appliance socket:

1. Switch off the vacuum cleaner.
2. Switch off the appliance to be connected.

**CAUTION!** Follow the operating instructions and safety instructions for appliances connected to the power tool socket. Always unwind the cable of the vacuum cleaner completely before use.

DA

FI

ES

PT

EL

TR

The power consumption of the connected appliance

SL

### Technical specifications

Model	Multi 22	Multi 22 Inox	Multi 22 T	Multi 22 T Inox	Multi 30 T	Multi 30 T Inox VSC	Multi 50 Inox
Region/country	EU, UK, ZA, AUS	EU, UK, ZA, AUS	UK	AUS/NZ	EU, UK, FR/BE/PL/ CZ, ZA, AUS	EU, UK, FR/BE/PL/ CZ, ZA, AUS	EU, UK, ZA, AUS
Container material	PP	INOX	PP	INOX	PP	INOX	INOX
Voltage (V)	220 - 240	220 - 240	220 - 240	220 - 240	220 - 240	220 - 240	220 - 240
P <sub>NOM</sub> (W)	1130	1130	1130	1130	1260	1260	1260
P <sub>max</sub> (W)	1200	1200	1200	1200	1400	1400	1400
Max Vacuum, kPa/bar	20/200	20/200	20/200	20/200	21/210	21/210	21/210
Max Suction power - machine, W	270	270	270	270	292	292	292
Sound power (EN 60704-2-1), dB(A)	85	85	85	85	87	87	87
Tank size, L	22	22	22	22	30	30	50
Net filling dry, in bag, L	9	9	9	9	13	13	20
Net filling liquid, L	14	14	14	14	20	20	36
Filter indicator	yes	yes	yes	yes	yes	yes	yes
Push to Clean		yes			yes	yes	yes
Power out, max 1150 W			yes	yes	yes	yes	
Auto on/off			yes	yes	yes	yes	
Variable suction control						yes	

must never exceed the value stated on the type plate of the vacuum cleaner - power consumption max 1150 W.

The operating voltage shown on the rating plate must correspond to the voltage of the mains power supply.

### Parts identification (ref. illu. 1&2, page 4)

- A. Button for automatic on/off switch for attached power tool (auto on/off) \*
- B. Filter cleaning indicator
- C. Button for "Push to Clean"-function \*
- D. Power outlet
- E. On/off switch
- F. Variable suction controller \*
- G. Connection for hose when vacuuming
- H. Connection for hose when blowing
- I. Handle bar (& storage of power cord)
- J. Quick park position (female)
- K. Storage options for tubes, nozzles and accessories
- L. Storage option for tube and accessories
- M. Tensioning plate for filter
- N. Filter
- O. Dust bag mounting

\* Varies depending on model.

HR

SK

CS

PL

HU

RO

BG

RU

ET

LV

LT

JA

AR




## Operational instructions

### Using the vacuum cleaner


On/Off - position "E"

Switch "0-I"

	Switch position	Function
	I	On
	0	Off

Powertool Auto On/Off - position "A"

Switch "0-I"

	Switch position	Function
	I	On
	0	Off

The machine provides two modes of operation: vacuuming and blowing.

When using the machine for vacuuming, the hose is connected to "G". When using the machine for blowing, the hose is connected to "H".

The machine is turned on or off at switch "E".

When running and operational the light in "B" will not light. The light "B" will light when a drop in suction performance occurs due to a dirty filter.

### Cleaning the filter with Push to Clean\*)

If the light "B" is turned on, the filter may be clogged.

1. Hold one hand against the end of the hose to form a closed wall. Push the "Push to Clean" button "C" for 2-3 seconds to let the machine clean the filter. Wait for 3-5 seconds and repeat Step 1, max. 3 times.
2. If the indicator still lights, the cause may lie in a too heavily clogged filter. Occasionally a light rinse is sufficient. If not, then replace the filter by a new one.

### Filter change (ref. illu. 4, page 4)

1. Open the machine so the filter is accessible.
2. Unscrew the tensioning plate "M" to release the filter.
3. Remove the filter and replace it by a new one.
4. Tighten tensioning plate (turn right). Make sure the threads on the tensioning plate are aligned properly with the threads on the machine. Tighten the tensioning plate firmly so the filter seals make a closed connection to the machine. Beware not to over-tighten the tensioning plate.

5. Assemble the machine again making sure the motor head has a proper fit to the container.

### Dust bag change

1. Open the machine so the dust bag is accessible.
2. Remove the old dust bag.
3. Gently slide the new dust bag over the angled tube "O" and place the lip of the dust bag firmly in the groove.
4. Assemble the machine again making sure the motor head has a proper fit to the container.

### Using the machine to clean up liquids

#### Prepare for use

1. Open the machine so the dust bag is accessible.
2. Remove the dust bag.
3. Assemble the machine again making sure the motor head has a proper fit to the container.

#### Empty for liquids

1. Make sure the liquid in the hose has entered the container to avoid spilling dirty water.
2. Disconnect the hose from the machine.
3. Open the machine and make container accessible alone.
4. Empty the machine over the backside or the sides to prevent dirty water to slip out of the hose connection.
5. Assemble the machine again making sure the motor head has a proper fit to the container.

### Storage

1. Make sure the hose is emptied for dust or dirt and the material has entered the container.
2. Remove the electric cable from power supply.
3. The cable may be stored by rolling it around the handle bar.
4. Place tubes and nozzles in Accessory storage areas "K" or in quick park position "J".
5. Wind hose around machine and use hose hook to get a grip of the hose.

EN

DE

FR

NL

IT

NO

SV

DA

FI

ES

PT

EL

TR

SL

HR

SK

CS

PL

HU

RO

BG

RU

ET

LV

LT

JA

AR

EN

**Declaration of Conformity**

DE

We,  
Nilfisk A/S  
Kornmarksvej 1  
DK-2605 Broendby  
DENMARK

FR

NL

IT

Hereby declare that the

NO

Product: VAC - Consumer - Wet/Dry  
Description: 220-240V, 50/60 Hz, IP24  
Type: Multi II 22\*, 30\*, 50\*

SV

DA

Is in compliance with the following standards:

FI

EN 60335-1:2012+A11:2014  
EN 60335-2-2:2010+A11:2012+A1:2013  
EN 55014-1:2006+A1:2009+A2:2011  
EN 55014-2:2015  
EN 61000-3-2:2014  
EN 61000-3-3:2013  
EN 50581:2012

ES

PT

EL

Following the provisions of:

TR

2014/35/EU  
2014/30/EU  
2011/65/EC  
2009/125/EC

SL

HR

Hadsund, 02-09-2016

SK

CS



Anton Sørensen  
Senior VP, Global R&D

PL

HU

RO

BG

RU

ET

LV

LT

JA

AR



<http://www.nilfisk.com>

## HEAD QUARTER

### DENMARK

Nilfisk A/S  
Kornmarksvej 1  
DK-2605 Broendby  
Tel.: (+45) 4323 8100  
Website: [www.nilfisk.com](http://www.nilfisk.com)

## SALES COMPANIES

### ARGENTINA

Nilfisk srl.  
Edificio Central Park  
Herrera 1855, 6th floor/604  
Ciudad de Buenos Aires  
Tel.: (+54) 11 6091 1571  
Website: [www.nilfisk.com.ar](http://www.nilfisk.com.ar)

### AUSTRALIA

Nilfisk Pty Ltd  
Unit 1/13 Bessemer Street  
Blacktown NSW 2148  
Tel.: (+61) 2 98348100  
Website: [www.nilfisk.com.au](http://www.nilfisk.com.au)

### AUSTRIA

Nilfisk GmbH  
Metzgerstrasse 68  
5101 Bergheim bei Salzburg  
Tel.: (+43) 662 456 400 90  
Website: [www.nilfisk.at](http://www.nilfisk.at)

### BELGIUM

Nilfisk n.v.s.a.  
Riverside Business Park  
Boulevard Internationalelaan 55  
Bâtiment C3/C4 Gebouw  
Bruxelles 1070  
Tel.: (+32) 14 67 60 50  
Website: [www.nilfisk.be](http://www.nilfisk.be)

### BRAZIL

Nilfisk do Brasil  
Av. Eng. Luis Carlos Berrini, 550  
40 Andar, Sala 03  
SP - 04571-000 Sao Paulo  
Tel.: (+11) 3959-0300 / 3945-4744  
Website: [www.nilfisk.com.br](http://www.nilfisk.com.br)

### CANADA

Nilfisk Canada Company  
240 Superior Boulevard  
Mississauga, Ontario L5T 2L2  
Tel.: (+1) 800-668-8400  
Website: [www.nilfisk.ca](http://www.nilfisk.ca)

### CHILE

Nilfisk S.A. (Comercial KCS Ltda)  
Salar de Llamara 822  
8320000 Santiago  
Tel.: (+56) 2684 5000  
Website: [www.nilfisk.cl](http://www.nilfisk.cl)

### CHINA

Nilfisk  
4189 Yindu Road  
Xinzhuang Industrial Park  
201108 Shanghai  
Tel.: (+86) 21 3323 2000  
Website: [www.nilfisk.cn](http://www.nilfisk.cn)

### CZECH REPUBLIC

Nilfisk s.r.o.  
VGP Park Horní Počernice  
Do Čertous 1/2658  
193 00 Praha 9  
Tel.: (+420) 244 090 912  
Website: [www.nilfisk.cz](http://www.nilfisk.cz)

### DENMARK

Nilfisk Danmark A/S  
Industrivej 1  
Hadsund, DK-9560  
Tel.: 72 18 21 20  
Website: [www.nilfisk.dk](http://www.nilfisk.dk)

### FINLAND

Nilfisk Oy Ab  
Koskelontie 23 E  
02920 Espoo  
Tel.: (+358) 207 890 600  
Website: [www.nilfisk.fi](http://www.nilfisk.fi)

### FRANCE

Nilfisk SAS  
26 Avenue de la Baltique  
Villebon sur Yvette  
91978 Courtabouef Cedex  
Tel.: (+33) 169 59 87 24  
Website: [www.nilfisk.fr](http://www.nilfisk.fr)

### GERMANY

Nilfisk GmbH  
Guido-Oberdorfer-Straße 2-10  
89287 Bellenberg

Tel.: (+49) (0)7306/72-444  
Website: [www.nilfisk.de](http://www.nilfisk.de)

### GREECE

Nilfisk A.E.  
Ανταρσσεως 29  
Κορωπτι T.K. 194 00  
Tel.: (30) 210 9119 600  
Website: [www.nilfisk.gr](http://www.nilfisk.gr)

### HOLLAND

Nilfisk B.V.  
Versterkerstraat 5  
1322 AN Almere  
Tel.: (+31) 036 5460760  
Website: [www.nilfisk.nl](http://www.nilfisk.nl)

### HONG KONG

Nilfisk Ltd.  
2001 HK Worsted Mills  
Industrial Building  
31-39, Wo Tong Tsui St.  
Kwai Chung, N.T.  
Tel.: (+852) 2427 5951  
Website: [nilfisk.com](http://nilfisk.com)

### HUNGARY

Nilfisk Kft.  
II. Rákóczi Ferenc út 10  
2310 Szigetszentmiklós-Lakihegy  
Tel.: (+36) 24 475 550  
Website: [www.nilfisk.hu](http://www.nilfisk.hu)

### INDIA

Nilfisk India Limited  
Pramukh Plaza, 'B' Wing, 4th floor, Unit No. 403  
Cardinal Gracious Road, Chakala  
Andheri (East) Mumbai 400 099  
Tel.: (+91) 22 6118 8188  
Website: [www.nilfisk.in](http://www.nilfisk.in)

### IRELAND

Nilfisk  
1 Stokes Place  
St. Stephen's Green  
Dublin 2  
Tel.: (+35) 3 12 94 38 38  
Website: [www.nilfisk.ie](http://www.nilfisk.ie)

### ITALY

Nilfisk SpA  
Strada Comunale della Braglia, 18  
26862 Guardamiglio (LO)  
Tel.: (+39) (0) 377 414021  
Website: [www.nilfisk.it](http://www.nilfisk.it)

### JAPAN

Nilfisk Inc.  
1-6-6 Kita-shinyokohama, Kouhoku-ku  
Yokohama, 223-0059  
Tel.: (+81) 45548 2571  
Website: [www.nilfisk.com](http://www.nilfisk.com)

### MALAYSIA

Nilfisk Sdn Bhd  
Sd 33, Jalan KIP 10  
Taman Perindustrian KIP  
Sri Damansara  
52200 Kuala Lumpur  
Tel.: +603 6275 3120  
Website: [www.nilfisk.com](http://www.nilfisk.com)

### MEXICO

Nilfisk de Mexico, S. de R.L. de C.V.  
Pirineos 515, Int. 60-70  
Zona Industrial Benito Juárez  
Queretaro, QRO, CP 76120  
Tel.: (+52) 442 427 77 00  
Website: [www.nilfisk.com](http://www.nilfisk.com)

### NEW ZEALAND

Nilfisk Limited  
Suite F, Building E  
42 Tawa Drive  
0632 Albany Auckland  
Tel.: (+64) 9 414 1996  
Website: [www.nilfisk.com](http://www.nilfisk.com)

### NORWAY

Nilfisk AS  
Bjørnerudveien 24  
1266 Oslo  
Tel.: (+47) 22 75 17 80  
Website: [www.nilfisk.no](http://www.nilfisk.no)

### PERU

Nilfisk S.A.C.  
Calle Boulevard 162, Of. 703, Lima 33- Peru  
Lima  
Tel.: (511) 435-6840  
Website: [www.nilfisk.com](http://www.nilfisk.com)

### POLAND

Nilfisk Sp. Z.O.O.  
Millenium Logistic Park  
ul. 3 Maja 8, Bud. B4  
05-800 Pruszków  
Tel.: (+48) 22 738 3750  
Website: [www.nilfisk.pl](http://www.nilfisk.pl)

### PORTUGAL

Nilfisk Lda.  
Sintra Business Park  
Zona Industrial Da Abrunheira  
Edificio 1, 1° A  
P2710-089 Sintra

Tel.: (+351) 21 911 2670  
Website: [www.nilfisk.pt](http://www.nilfisk.pt)

### RUSSIA

Nilfisk LLC  
Vyatskaya str. 27, bld. 7/1st  
127015 Moscow  
Tel.: (+7) 495 783 9602  
Website: [www.nilfisk.ru](http://www.nilfisk.ru)

### SINGAPORE

Den-Sin  
22 Tuas Avenue 2  
639453 Singapore  
Tel.: (+65) 6268 1006  
Website: [www.densin.com](http://www.densin.com)

### SLOVAKIA

Nilfisk s.r.o.  
Bancíkovej 1/A  
SK-821 03 Bratislava  
Tel.: (+421) 910 222 928  
Website: [www.nilfisk.sk](http://www.nilfisk.sk)

### SOUTH AFRICA

Nilfisk (Pty) Ltd  
Kimbult Office Park, 9 Zeiss Road  
Laser Park, Honeydew  
Johannesburg  
Tel.: (+27) 118014600  
Website: [www.nilfisk.co.za](http://www.nilfisk.co.za)

### SOUTH KOREA

Nilfisk Korea  
3F Duksoo B/D, 317-15  
Sungsoo-Dong 2Ga  
Sungdong-Gu, Seoul  
Tel.: (+82) 2497 8636  
Website: [www.nilfisk.co.kr](http://www.nilfisk.co.kr)

### SPAIN

Nilfisk S.A.U  
Paseu del Rengle, 5 Planta. 9-10  
08302 Mataró  
Tel.: (34) 93 741 2400

Website: [www.nilfisk.es](http://www.nilfisk.es)

### SWEDEN

Nilfisk AB  
Taljegårdsgatan 4  
431 53 Mölndal  
Tel.: (+46) 31 706 73 00  
Website: [www.nilfisk.se](http://www.nilfisk.se)

### SWITZERLAND

Nilfisk AG  
Ringstrasse 19  
Kircheberg/Industri Stelz  
9500 Wil  
Tel.: (+41) 71 92 38 444  
Website: [www.nilfisk.ch](http://www.nilfisk.ch)

### TAIWAN

Nilfisk Ltd  
Taiwan Branch (H.K.)  
No. 5, Wan Fang Road  
Taipei  
Tel.: (+88) 6227 00 22 68  
Website: [www.nilfisk.tw](http://www.nilfisk.tw)

### THAILAND

Nilfisk Co. Ltd.  
89 Soi Chokechai-Ruammitr  
Viphavadee-Rangsit Road  
Ladyao, Jatuchak, Bangkok 10900  
Tel.: (+66) 2275 5630  
Website: [www.nilfisk.co.th](http://www.nilfisk.co.th)

### TURKEY

Nilfisk A.S.  
Serifali Mh. Bayraktar Bulv. Sehit Sk. No:7  
Ümraniye, 34775 Istanbul  
Tel.: +90 216 466 94 94  
Website: [www.nilfisk.com.tr](http://www.nilfisk.com.tr)

### UNITED ARAB EMIRATES

Nilfisk Middle East Branch  
SAIF-Zone  
P.O. Box 122298  
Sharjah  
Tel.: (+971) (0) 655-78813  
Website: [www.nilfisk.com](http://www.nilfisk.com)

### UNITED KINGDOM

Nilfisk Ltd.  
Nilfisk House, Bowerbank Way  
Gilwilly Industrial Estate, Penrith  
Cumbria CA11 9BQ  
Tel.: (+44) (0) 1768 868995  
Website: [www.nilfisk.co.uk](http://www.nilfisk.co.uk)

### UNITED STATES

Nilfisk Inc.  
14600 21st Avenue North  
Plymouth, MN-55447  
Tel.: (+1) 800-989-2235  
Website: [www.nilfisk.com](http://www.nilfisk.com)

### VIETNAM

Nilfisk Vietnam  
No. 51 Doc Ngu Str.  
P. Vinh Phuc, Q.Ba Dinh  
Hanoi  
Tel.: (+84) 761 5642  
Website: [www.nilfisk.com](http://www.nilfisk.com)