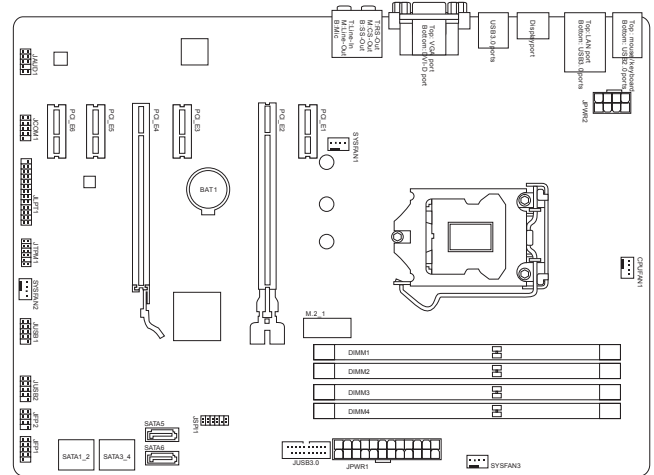
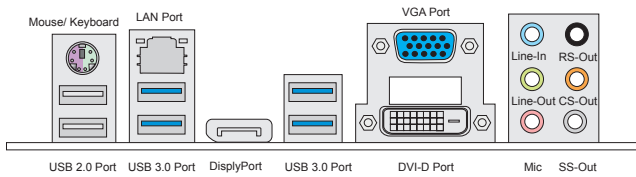


Z97 GUARD-PRO

(MS-7923v1.0)

ATX Motherboard

Supports 4th and 5th Generation Intel® Core™ Processors, and Intel® Pentium® and Celeron® Processors for Socket LGA1150



Motherboard Specification

<p>Processor Support</p> <ul style="list-style-type: none"> Supports 4th and 5th Generation Intel® Core™ Processors, and Intel® Pentium® and Celeron® Processors for Socket LGA1150 <p>Base Clock</p> <ul style="list-style-type: none"> 100 MHz/125 MHz/167 MHz <p>Chipset</p> <ul style="list-style-type: none"> Intel® Z97 chipset <p>Memory Support</p> <ul style="list-style-type: none"> Support 4 DDR3 DIMMs 1066/ 1333/ 1600/ 1866(OC)/ 2133(OC)/ 2400(OC)/ 2666(OC)/ 2800(OC)/ 3000(OC) or Higher with 22nm Haswell processors up to 32GB max Supports Dual-Channel mode <p>LAN</p> <ul style="list-style-type: none"> Supports LAN 10/100/1000 Fast Ethernet by Realtek® RTL8111G <p>Audio</p> <ul style="list-style-type: none"> Chip integrated by Realtek® ALC892 Flexible 8-channel audio with jack sensing Compliant with Azalia 1.0 Spec <p>SATA</p> <ul style="list-style-type: none"> 6 SATA 6Gb/s (SATA1~SATA6) ports by Intel® Z97 <p>M.2 Slot</p> <ul style="list-style-type: none"> Support PCIe M.2 Storage by Intel® Z97 (switch from SATA5~SATA6) <p>USB 3.0</p> <ul style="list-style-type: none"> 6 USB 3.0 ports by Intel® Z97 (rear x 4, front x 2) 	<p>Connectors</p> <ul style="list-style-type: none"> Back panel <ul style="list-style-type: none"> 1 PS/2 mouse/ keyboard combo port 2 USB 2.0 ports 4 USB 3.0 ports 1 VGA port 1 DVI port 1 Display port 1 LAN port 6 flexible audio ports On-Board <ul style="list-style-type: none"> 2 USB 2.0 connectors 1 USB 3.0 connector 1 Chassis Intrusion connector 1 Serial port connector 1 Front Panel Audio connector 1 TPM Module connector 1 Parallel port connector <p>Slots</p> <ul style="list-style-type: none"> 2 PCIe x16 slots 4 PCIe x1 slots <p>Form Factor</p> <ul style="list-style-type: none"> ATX (30.4 cm x 22.0 cm) <p>Feature on Focus</p> <ul style="list-style-type: none"> Click BIOS II M-Flash OC Genie 4 PCIe 3.0 SATA 6Gb/s Super Charger PCIe M.2 Storage Support USB 3.0 USB Safeguard <p>Mounting</p> <ul style="list-style-type: none"> 6 mounting holes
---	--

These specification is subject to change without prior notice.