

Freezer A35 RGB

Tower CPU Cooler for AMD® with RGB



General Specifications

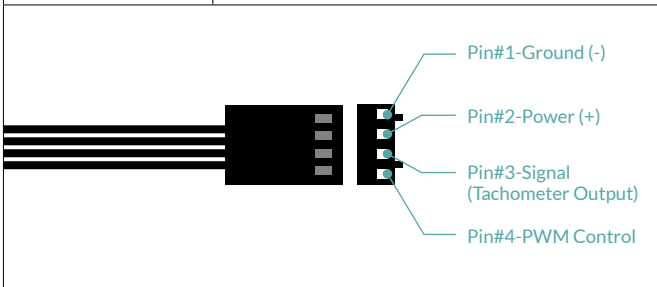
| | |
|---------------|---------------------------------|
| Compatibility | AMD® AM5, AM4 |
| Heatsink | Single Tower |
| TIM | MX-5 (0.8g) |
| Noise Level | 0.35 Sone |
| Warranty | 6 Years |
| Dimensions | 133 (W) x 91 (L) x 158.5 (H) mm |
| Weight | 734 g |

Heatsink Specifications

| | |
|---------------------|----------|
| Number of Heatpipes | 4 |
| Heatpipe Diameter | 6 mm |
| Number of Fins | 54 |
| Fin Thickness | 0.4 mm |
| Fin Material | Aluminum |

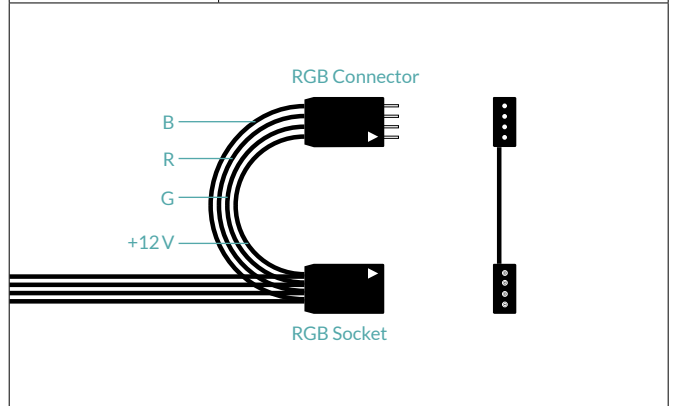
Fan Specifications

| | |
|-----------------|-------------------------------|
| Speed | 200-1700 rpm |
| Fan Diameter | 112 mm |
| Fan Dimensions | 133 (W) x 91 (L) x 135 (H) mm |
| Speed Control | Pulse Width Modulation - PWM |
| Connector | 4-Pin Connector |
| Bearing | Fluid Dynamic Bearing |
| Current/Voltage | 0.12 A/12 V |
| Cable | 200 mm fan cable, black |



RGB Specifications

| | |
|-----------------|--|
| LEDs | 12 RGB LEDs |
| Connector | 4-Pin 12V-G-R-B |
| Current/Voltage | 0.2 A/12 V |
| Cable | 450 mm cable with 80 mm sharing cable, black |

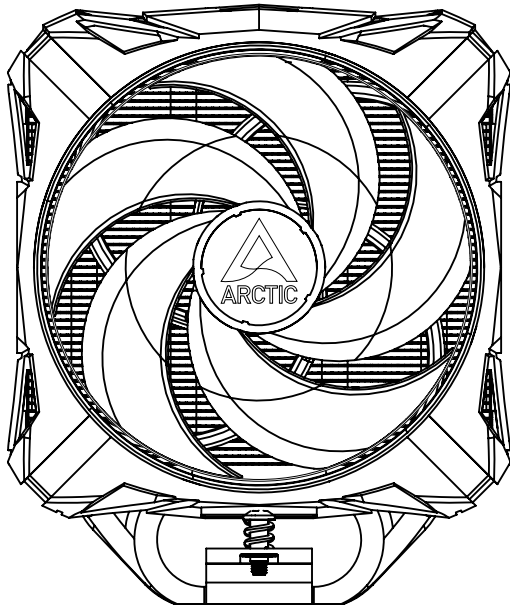


Shipping Information

| | |
|----------------|--------------------------------|
| Box Dimensions | 113 (L) x 144 (W) x 168 (H) mm |
| Gross Weight | 893.75 g |
| SKU | ACFRE00114A |
| EAN | 4895213703451 |
| UPC | 840033401265 |

Freezer A35 RGB

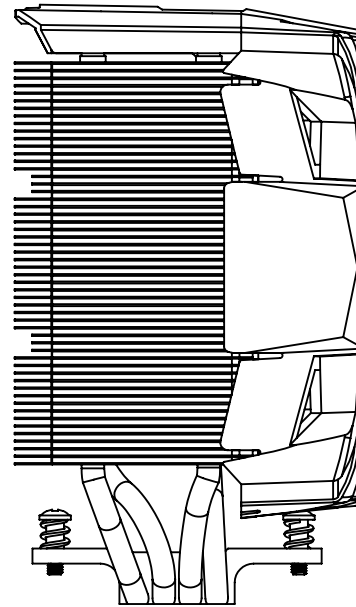
Tower CPU Cooler for AMD® with RGB



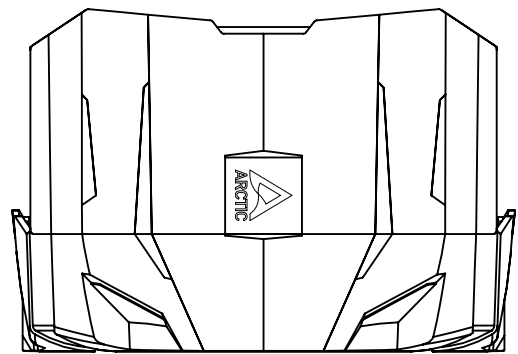
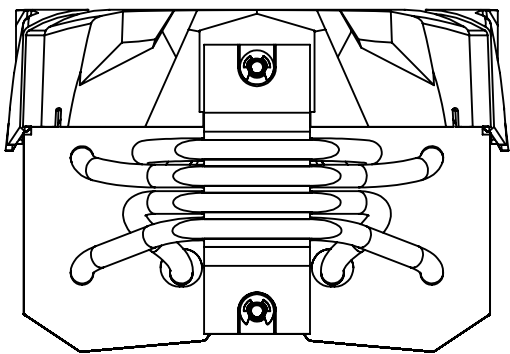
133mm



158.5mm



91mm



All materials are compatible with RoHS requirements

MORE INFORMATION



MANUALS

