

## Data sheet

### C6<sub>A</sub>modul K 180° jack - Keystone style

Page 1/8

P/N  
130B21-E

EAN 4250184133483

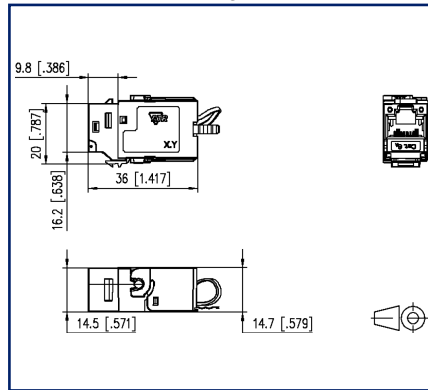
2021/03/18

Version: AM

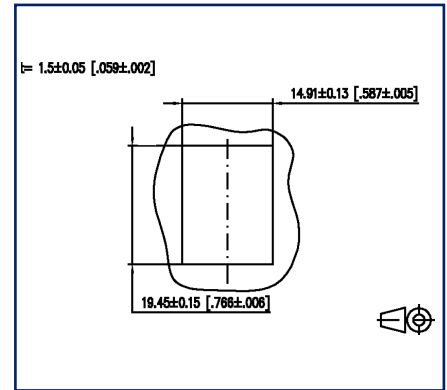
## Illustrations



Dimensional drawing



Cut-out



See enlarged drawings at the end of document

## Product specification

- modular Cat.6<sub>A</sub> termination unit RJ45
- mounting version: Keystone, 180° cable feed
- solid, one-piece and reusable module housing refined with zinc die-casting
- mounting without special tools, strain relief directly snapped on to stuffer cap
- migration to 25G-systems without special tools
- easy to install connection of data lines AWG 26/1 to 22/1 (solid wire) and AWG 26/7 to 22/7 (stranded wire) to insulation displacement connectors (IDC)
- intelligent cable management in stuffer cap - also suitable for heavily twisted cables
- conductor assignment to T568A and T568B is directly printed on the stuffer cap
- certified to GHMT Cat.6<sub>A</sub> re-embedded PVP
- component testing for Cat.6<sub>A</sub> to ISO/IEC 11801 Ed.2.2:2011-06, DIN EN 50173-1:2011-09, TIA/EIA-568-C.2 (2009-08) and IEC 60603-7-51 Ed.1 (12/2008), certified to GHMT
- compliance with class E<sub>A</sub> up to 500 MHz to ISO/IEC 11801 Ed.2.2:2011-06, DIN EN 50173-1:2011-09
- tested: component up to 600 MHz, link up to 800 MHz
- suitable for 10 GBit Ethernet (IEEE 802.3an), Remote Powering (PoE, PoE plus, UPoE and 4PPoE) and HDBaseT

# P | Cabling

Data sheet

Page 2/8

## C6<sub>A</sub>modul K 180° jack - Keystone style

P/N

130B21-E

EAN 4250184133483

2021/03/18

Version: AM

### Technical Data

#### General Data

Fields of application	Office
Design	Jack
Shielding	shielded
Transmission technology	Copper
Wiring	T568A, T568B
Color	metallike
Dimensions	
Dimension (L x W x H)	36 mm x 14.7 mm x 20 mm
Dimension (L x W x H)	1.417 in. x 0.579 in. x 0.787 in.
Modularity	yes
Field assembly ability	yes
Labeling option	on housing
Marking option	by latching clip

#### Transmission characteristics

Category (ISO)	6 <sub>A</sub>
Class (ISO/IEC)	E <sub>A</sub>
Category (TIA)	6A
Remote Powering	yes
PoE	IEEE 802.3af
PoE plus	IEEE 802.3at
UPoE	yes
4PPoE	IEEE 802.3bt
HDBaseT	yes
Transmission rate up to 10 GBit	IEEE 802.3an

#### Connections/interfaces

Connector technology interface 1	IDC-connection
Connector technology interface 2	RJ45-jack
Number of ports interface 2	1
Number of ports interface 2 equipped	1
Number of positions/contacts interface 1	8
Number of positions/contacts interface 2	8P/8C



# P | Cabling

Data sheet

Page 3/8

## C6<sub>A</sub>modul K 180° jack - Keystone style

P/N

130B21-E

EAN 4250184133483

2021/03/18

Version: AM

### Technical Data

#### Connections/interfaces

Termination data, solid wire (min. - max.)

Conductor cross section, solid wire AWG 26/1 - AWG 22/1

Conductor cross section, solid wire 0.128 mm<sup>2</sup> - 0.324 mm<sup>2</sup>

Conductor diameter, solid wire (bare copper) 0.409 mm - 0.643 mm

Conductor diameter, solid wire (bare copper) 0.016 in. - 0.025 in.

Termination data, stranded wire (min. - max.)

Conductor cross section, stranded wire AWG 26/7 - AWG 22/7

Conductor cross section, stranded wire 0.141 mm<sup>2</sup> - 0.355 mm<sup>2</sup>

Conductor diameter, stranded wire (bare copper) 0.483 mm - 0.762 mm

Conductor diameter, stranded wire (bare copper) 0.019 in. - 0.03 in.

Cable sheath diameter (min. - max.)

Cable sheath diameter mm 5.5 mm - 10.00 mm

Cable sheath diameter inch 0.217 in. - 0.394

Cable access/outlet

180°

#### Electrical characteristics

Current carrying capacity max. 1 A

Rated voltage max. 50 V

Contact resistance max. 20 mOhm

Through resistance max. 200 mOhm

Insulation resistance min. 500 MOhm

Dielectric strength conductor-conductor (secondary) max. 1000 V DC

#### Mechanical data

Cut-out Keystone

Mounting method snap-in function

Insertion and withdrawal force max. 30 N

Position/mounting of latch - standard installation position bottom

strain relief latching clip

# P | Cabling

Data sheet

Page 4/8

## C6<sub>A</sub>modul K 180° jack - Keystone style

P/N  
130B21-E

EAN 4250184133483

2021/03/18

Version: AM

### Technical Data

#### Materials and material properties

Material - Housing	GD-Zn (zinc die-cast)
Material - Contact	Spring steel
Material - Contact finish	Au (gold)
Material - Shield	GD-Zn (zinc die-cast)
Material - Stuffer cap	PA 6.6 UL94 V0
Material - Strain relief	PA 6.6 UL94 V0
Material - Finish	Ni (nickel)
RoHS	compliant
REACH - substance (SVHC)	none

#### Environmental conditions

Rapid change of temperature	-40°C / -40°F - +70°C / 158°F / 25 cycles t=30 min
Electromagnetic measurement	E2

#### Certifications

GHMT PVP	yes
----------	-----

#### Approvals

CE	compliant
UL listed (file no.)	DUXR.E178484



#### The product meets the following standards

Generic cabling systems	
General requirements	ANSI/TIA-568-C
Office buildings	ISO/IEC 11801 Ed.2.2: 2011-06   DIN EN 50173-2 ANSI/TIA-568-C
Living units	ISO/IEC 15018   DIN EN 50173-4 ANSI/TIA-570-B
Connectors for electronic equipment	
Free and fixed connectors	DIN EN 60603-7-51:2011-01

# P | Cabling

Data sheet

Page 5/8

## C6<sub>A</sub>modul K 180° jack - Keystone style

P/N

130B21-E

EAN 4250184133483

2021/03/18

Version: AM

### Technical Data

#### The product meets the following standards

Connectors for electronic equipment - Tests and measurements

Test schedule for connectors	DIN-EN 60512-99-001, DIN-EN 60512-99-002
------------------------------	--

Interference proof

Immunity for industrial environments	DIN EN 61000-6-2:2006-03
--------------------------------------	--------------------------

Emission proof

Electromagnetic emission for residential, commercial and light-indus	DIN EN 61000-6-3:2011-09
--	--------------------------

Climate tests	IEC 60512-11
---------------	--------------

#### Classifications

ETIM 5.0	EC001121
----------	----------

ETIM 6.0	EC001121
----------	----------

ETIM 7.0	EC001121
----------	----------

#### Packing details

Type of packaging	10 pc(s) / box
-------------------	----------------

Packaging unit - Weight (gram)	430 g
--------------------------------	-------

Packaging unit - Weight (pound)	0.95 lb
---------------------------------	---------

Packaging dimension	258 mm x 164 mm x 51 mm
---------------------	-------------------------

Packaging dimension	10.157 in. x 6.457 in. x 2.008 in.
---------------------	------------------------------------

# P | Cabling

Data sheet

Page 6/8

## C6<sub>A</sub>modul K 180° jack - Keystone style

P/N

130B21-E

EAN 4250184133483

2021/03/18

Version: AM

### Accessories

P/N	Designation
820032-0102-I	Dust protection cover for C6 <sub>A</sub> modul pure white
820032-0103-I	Dust protection cover for C6 <sub>A</sub> modul light gray
820032-0105-I	Dust protection cover for C6 <sub>A</sub> modul yellow
820032-0106-I	Dust protection cover for C6 <sub>A</sub> modul blue
820032-0107-I	Dust protection cover for C6 <sub>A</sub> modul green
820032-0108-I	Dust protection cover for C6 <sub>A</sub> modul red
820032-0129-I	Dust protection cover for C6 <sub>A</sub> modul black

# P | Cabling

Data sheet

Page 7/8

## C6<sub>A</sub>modul K 180° jack - Keystone style

P/N

130B21-E

EAN 4250184133483

2021/03/18

Version: AM

### Accessories from

P/N	Designation
130861-0202KE	Keystone surface mount housing 2 port pure white, unequipped
130861-0302KE	Keystone surface mount housing 3 port pure white, unequipped
130861-0402KE	Keystone surface mount housing 4 port pure white, unequipped
130861-0602KE	Keystone surface mount housing 6 port pure white, unequipped
130861-0802KE	Keystone surface mount housing 8 port pure white, unequipped
130861-0802KE85	AP Patchfeld unbestückt für 8xRJ45 RAL 9010 Keystone AP-Geh 8 Port ZATEC
130861-1202KE	Keystone surface mount housing 12 port pure white, unequipped
130861-1602KE	Keystone surface mount housing 16 port pure white, unequipped
130861-2402KE	Keystone surface mount housing 2x12 port pure white, unequipped
1309413103-E	E-DAT Industry IP67 V6 EbK
1309413303-E	E-DAT Industry IP67 V6 EbK with mounting kit
1309428103-E	Keystone REGplus IP20 light gray unequipped
130B20E2E-E	Keystone module frame 3RU, 7HP 6 port stainless steel unequipped



# P | Cabling

Data sheet

## C6<sub>A</sub>modul K 180° jack - Keystone style

Page 8/8

P/N  
130B21-E

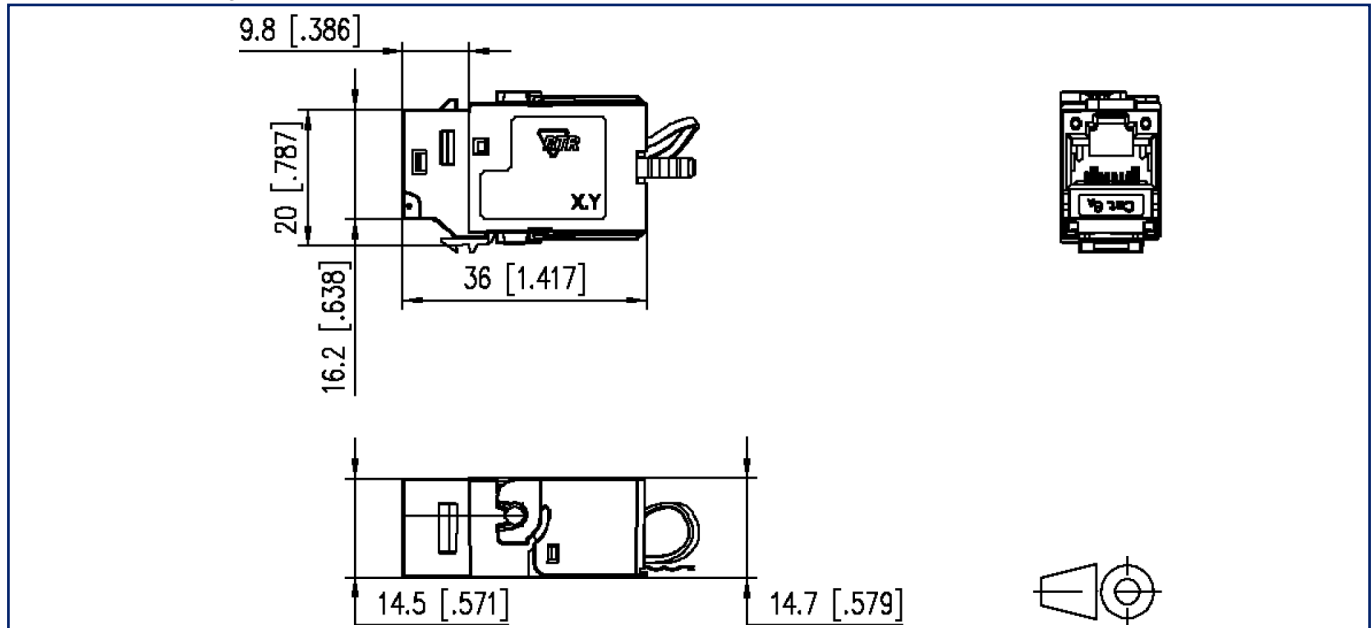
EAN 4250184133483

2021/03/18

Version: AM

### Illustrations

Dimensional drawing



Cut-out

