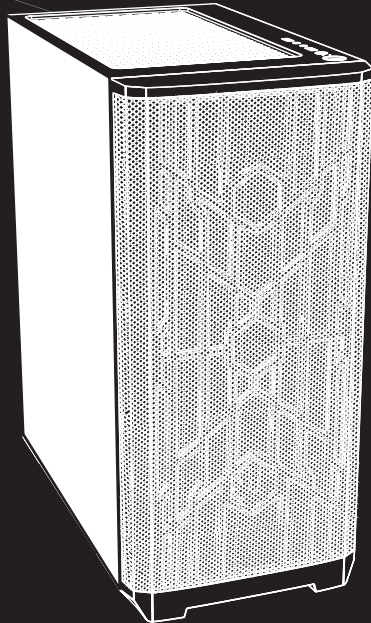


NOVA
MESH
SE TG
 4ARGB

Quick Installation Guide



BIOFENIX

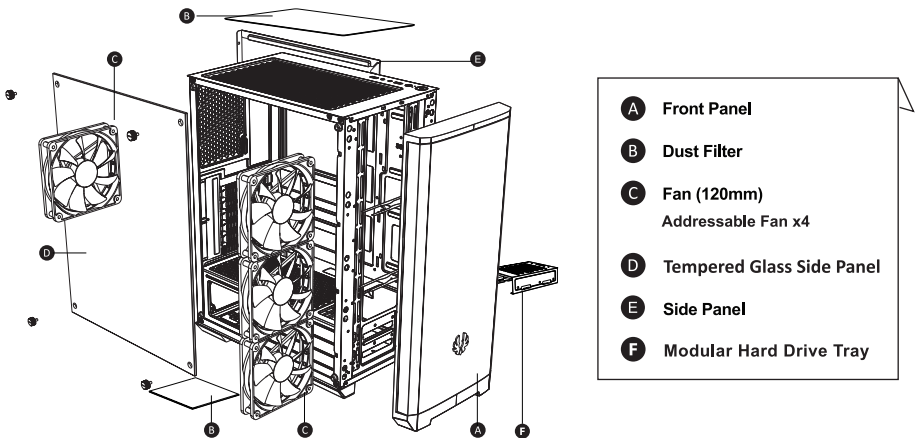
NOVA
MESH
SE

NOVA MESH SE -TG 4ARGB

Package Content:

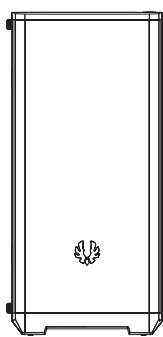
- ⊕ NOVA MESH SE TG Case 風魅影SE透測版(煥彩版)
- ⊕ NOVA MESH SE TG Quick Installation Guide 風魅影SE 簡易安裝說明書
- ⊕ Accessory Pack 配件包內容

3 X Motherboard standoff	銅柱(其餘已預裝)
8 X 3.5"HDD screw	3.5硬碟螺絲
6 X GPU / PSU screw	顯卡 / 電源供應器螺絲
20 X Motherboard Standard Screw	主板螺絲
1 X Speaker	蜂鳴器

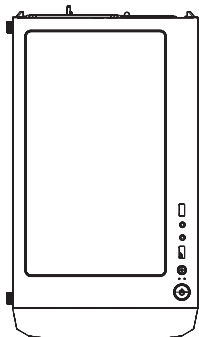


NOVA MESH SE TG -4ARGB

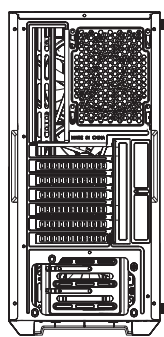
風魅影SE玻璃版 燦彩版

**Front**

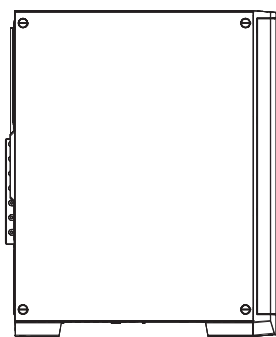
正視圖

**Top**

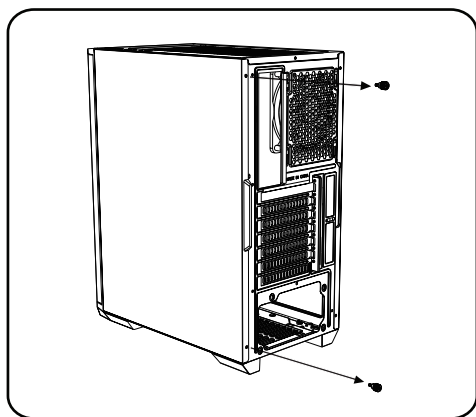
上視圖

**Back**

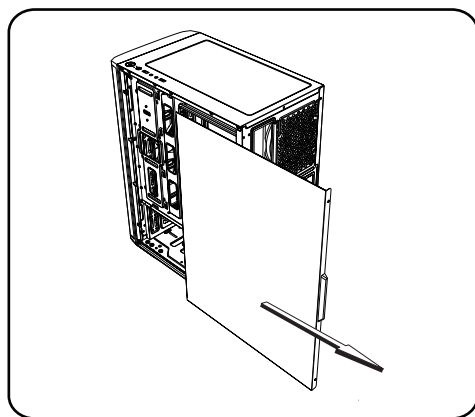
後視圖

**Side**

側視圖

Basic Installation 簡易安裝說明**How to remove the right side panel** 卸下鐵側板

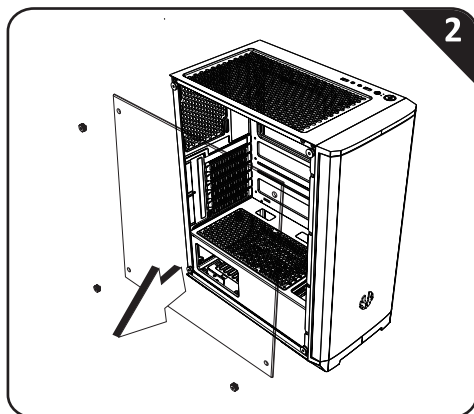
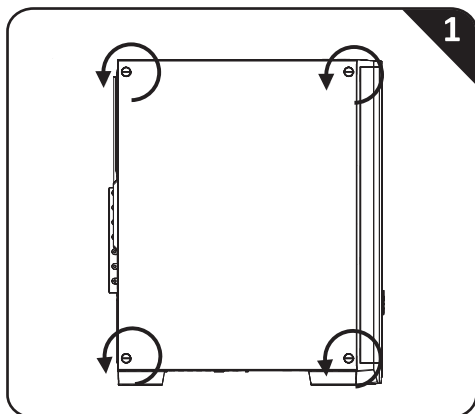
Remove both thumb screws
首先將螺絲旋轉後拿下



Slide the side panels towards the
back of the case
將鐵側板往後拉下

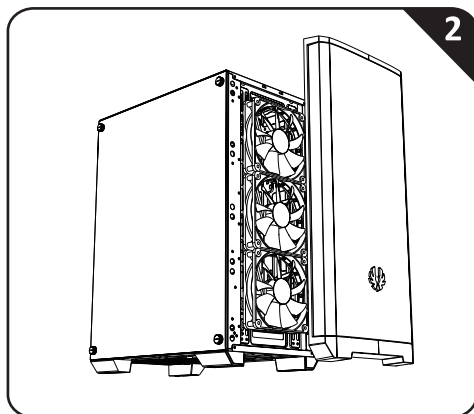
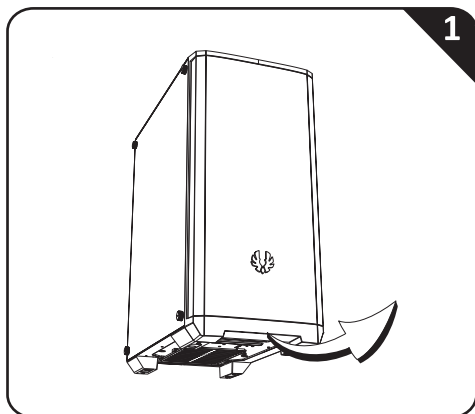
How to remove the tempered glass side panel

如何卸下左側鋼化玻璃



How to remove the front panel

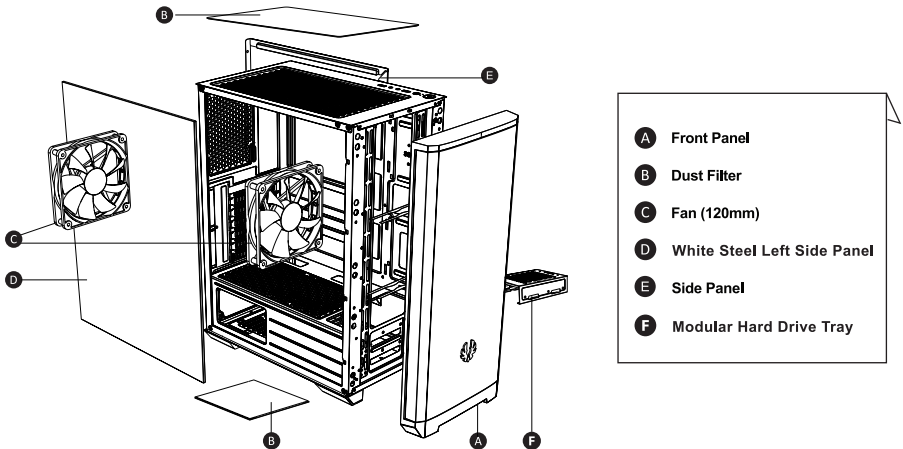
如何卸下前面板



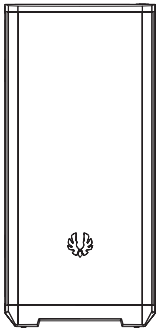
NOVA MESH SE Package Content:

- ⊕ NOVA MESH SE Case 風魅影SE(鐵側)機箱
- ⊕ NOVA MESH SE Quick Installation Guide 風魅影SE(鐵側)簡易安裝說明書
- ⊕ Accessory Pack 配件包內容

3 X Motherboard standoff	銅柱(其餘已預裝)
8 X 3.5"HDD screw	3.5硬碟螺絲
6 X GPU / PSU screw	顯卡 / 電源供應器螺絲
20 X Motherboard Standard Screw	主板螺絲
1 X Speaker	蜂鳴器

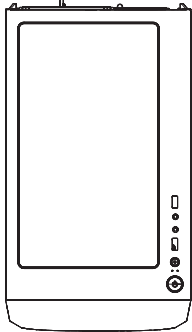


NOVA MESH SE 風魅影SE(鐵側)



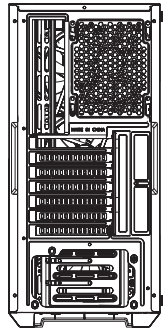
Front

正視圖



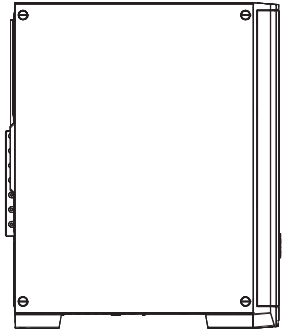
Top

上視圖



Back

後視圖

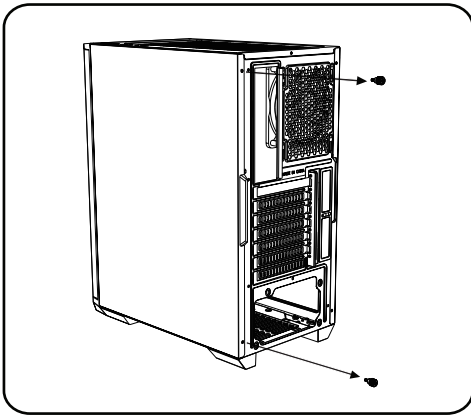


Side

側視圖

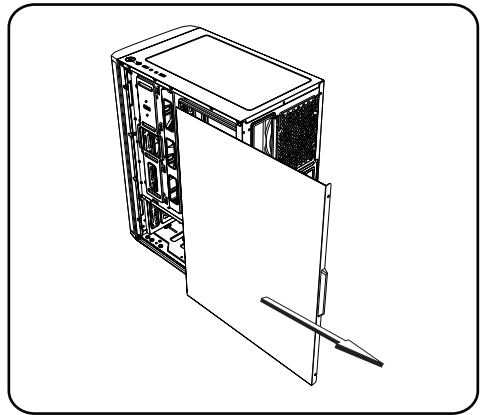
Basic Installation 簡易安裝說明

How to remove the right side panel 卸下鐵側板



Remove both thumb screws

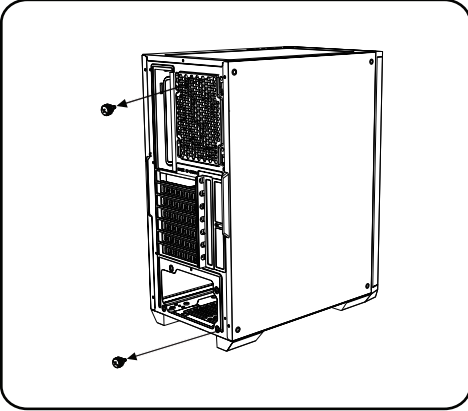
首先將螺絲旋轉後拿下



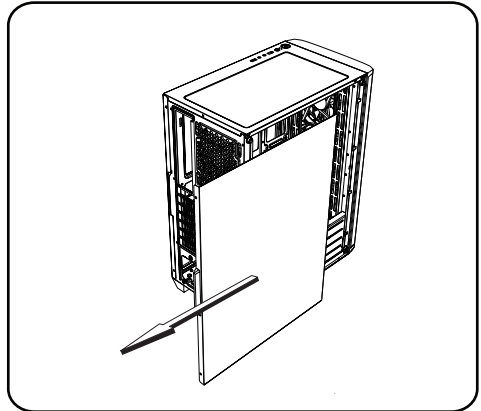
Slide the side panels towards the back of the case

將鐵側板往後拉下

How to remove the side panel 卸下鐵側板



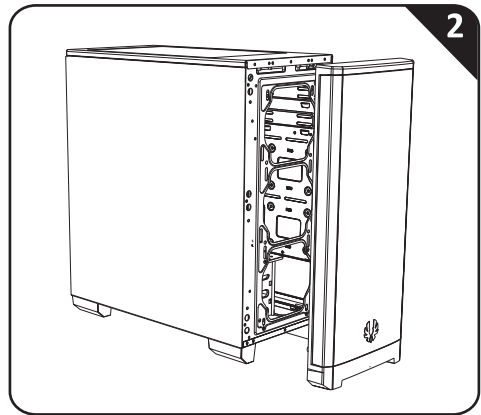
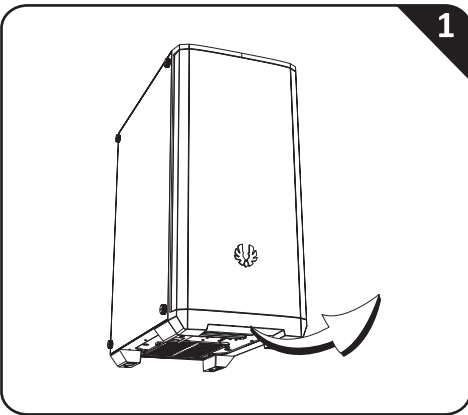
Remove both thumb screws
首先將螺絲旋轉後拿下



Slide the side panels towards the back of the case
將鐵側板往後拉下

How to remove the front panel

如何卸下前面板

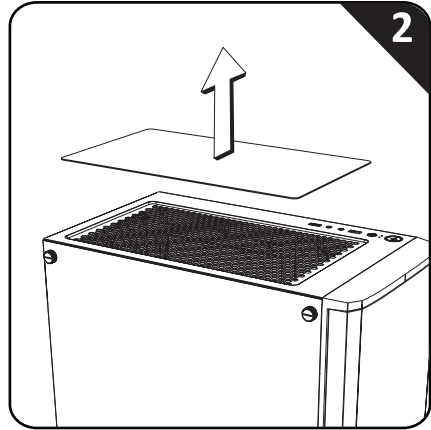
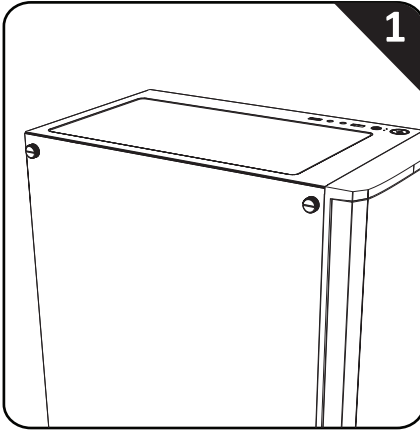


How to remove the dust filters

如何拿取濾網

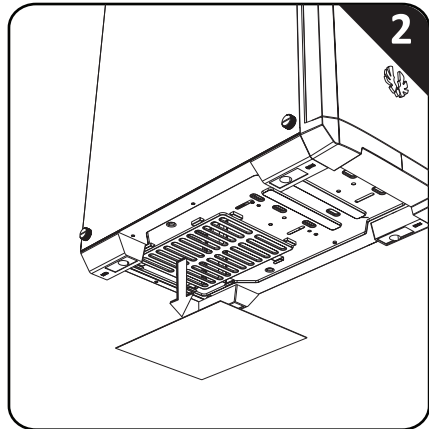
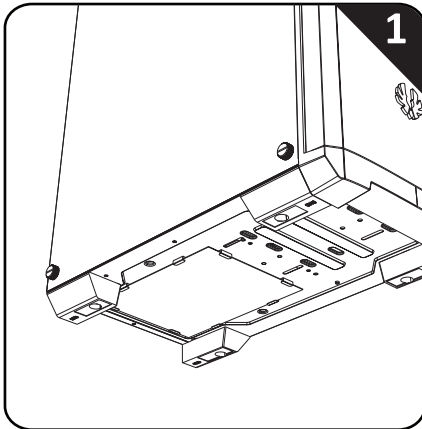
Top Filter 上方濾網

Pull off the magnetic dust filter 拉起磁吸式上蓋濾網

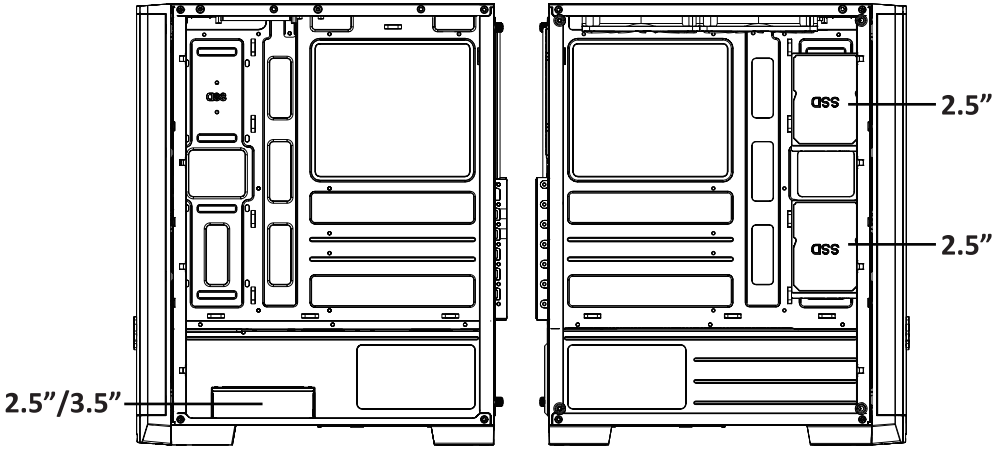


PSU Filter 電源供應器濾網

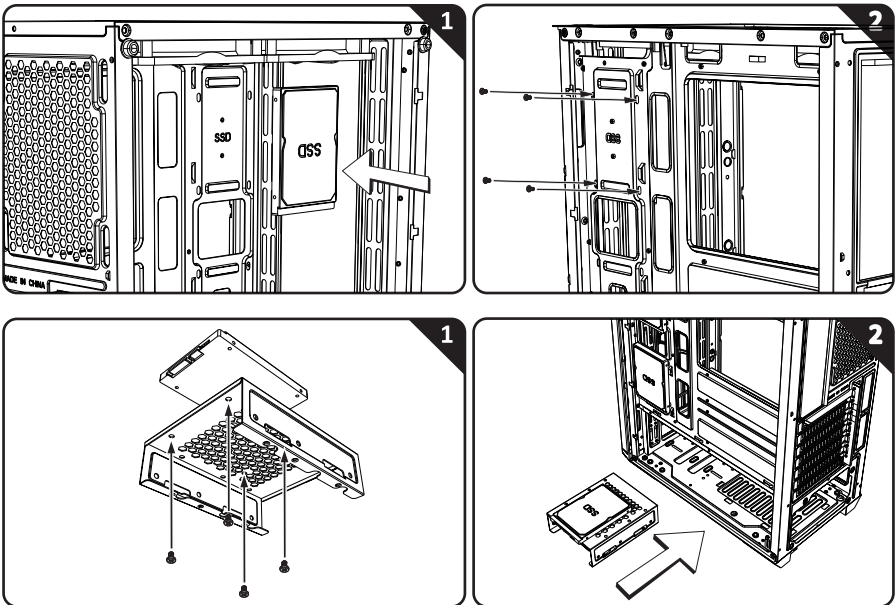
Pull out the PSU filter from the side of the feet 拉下磁吸式上蓋濾網



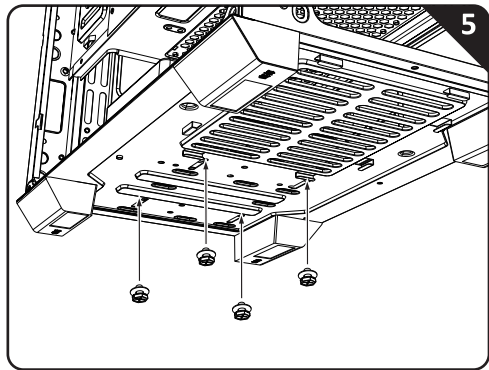
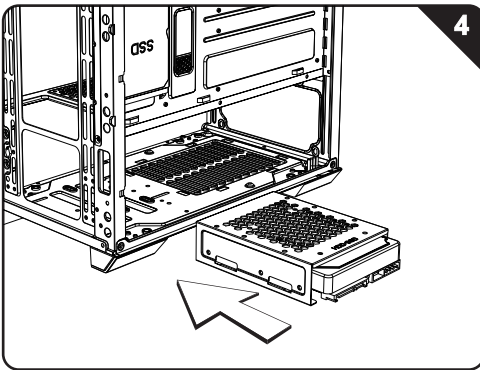
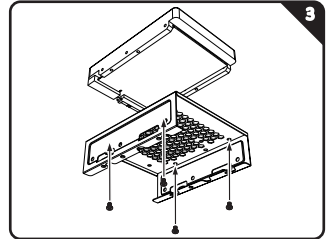
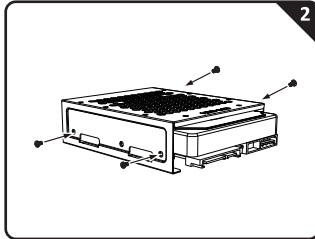
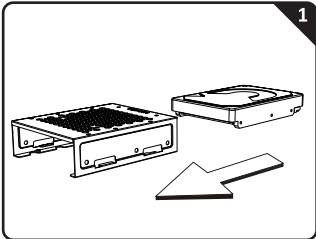
Drive Locations 3.5" /2.5" /SSD硬碟可安裝位置



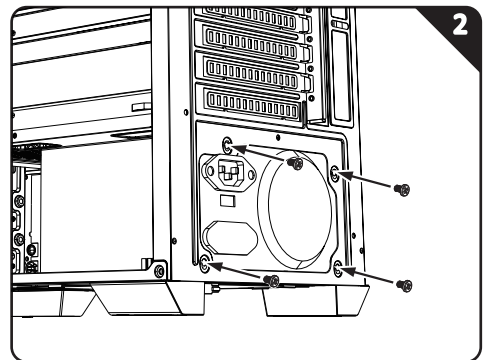
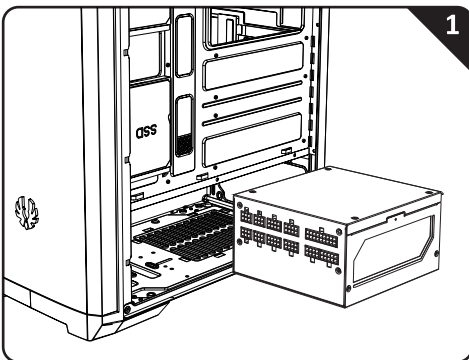
Installing 2.5" Drives 安裝 2.5" /SSD硬碟



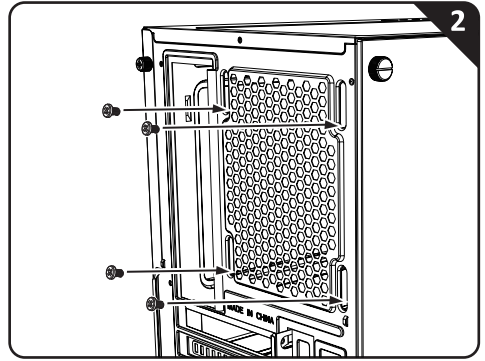
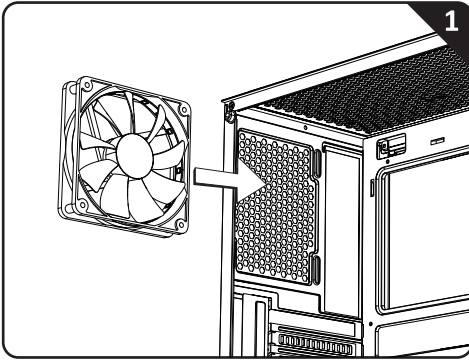
Installing 3.5" Drives 安裝 3.5" 硬碟



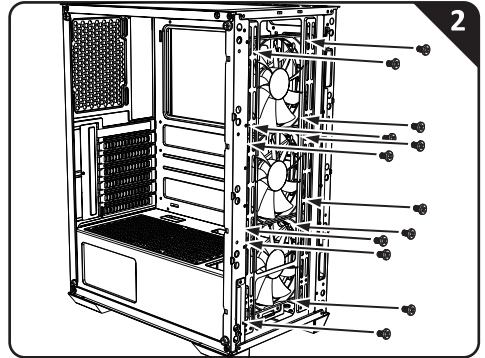
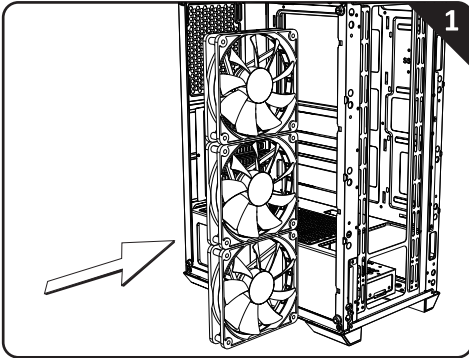
PSU Installation 安裝電源供應器



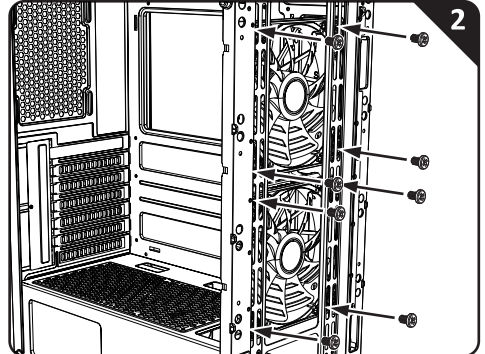
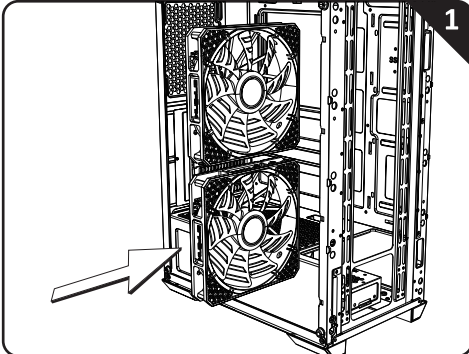
Back Fan Installation (120mm) 後板120mm 風扇安裝



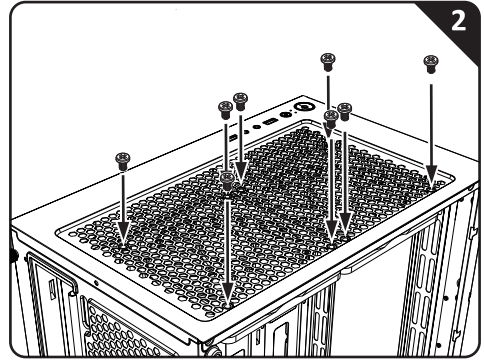
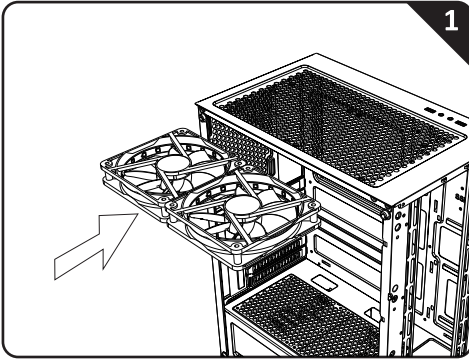
Front Fan Installation (120mm) 前板120mm 風扇安裝



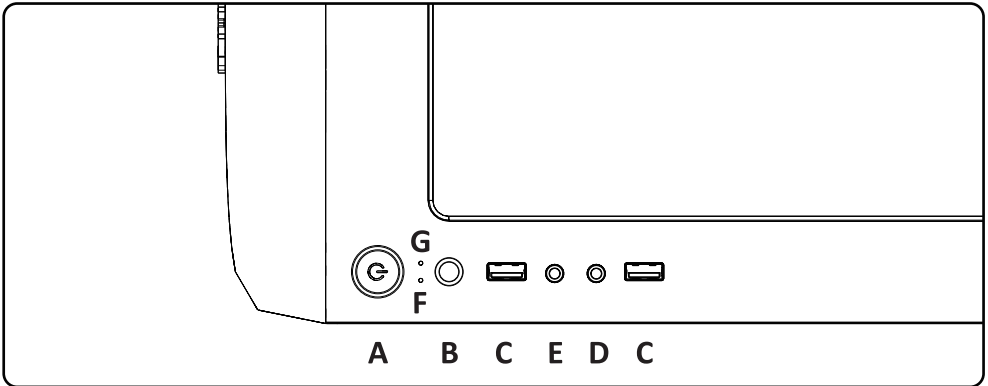
Front Fan Installation (140mm) 前板140mm 風扇安裝



Top Fan Installation (120mm) 上板120mm 風扇安裝



Control Panel 控制按鈕



A. Power Button

電源按鈕

D. Microphone Jack 麥克風孔

B. Reset Button / LED Button

重啟/燈光按鈕

E. Headphone Jack 耳機孔

C. USB3.0 Port

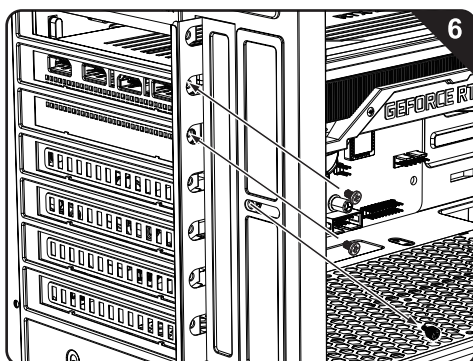
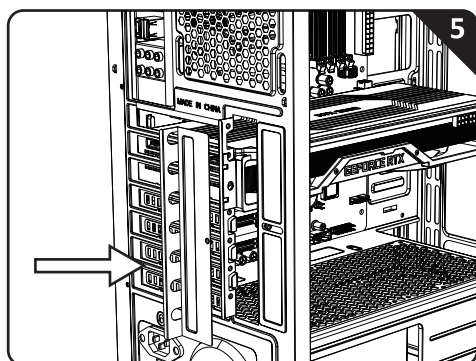
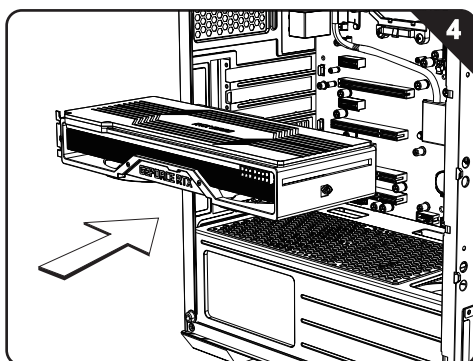
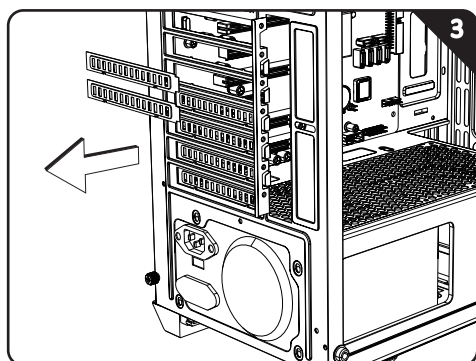
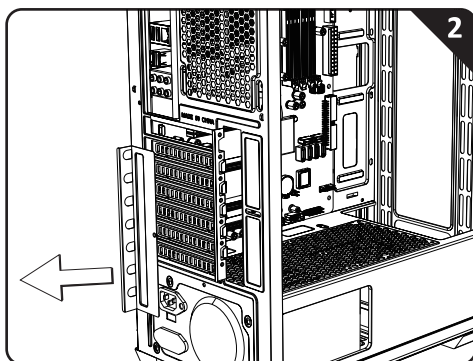
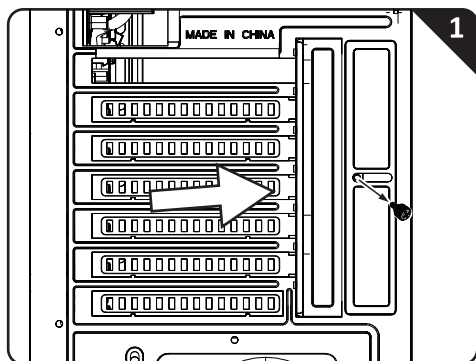
F. HDD LED

燈控按鈕

G. Power LED

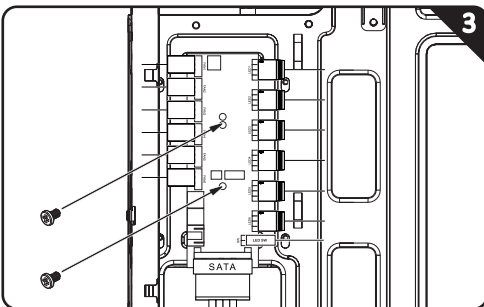
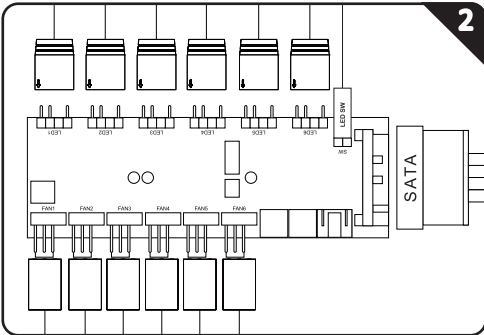
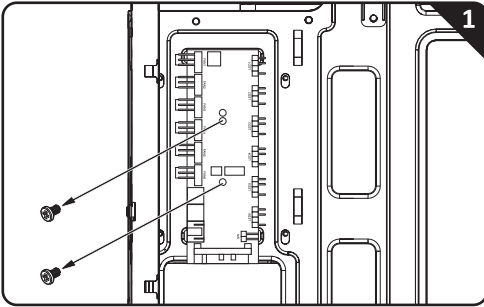
電源指示燈

VGA Card Installation 顯卡安裝方式



Remove the 6+6 controller from the case, before you connect the ARGB cable or fan.

請在接上ARGB以及風扇的電纜前先將6+6控制器卸下



BE INVINCIBLE

WWW.BITFENIX.COM



BitFenix Co., Ltd.

3F, No.79, Sec. 1, Xintai 5th Rd.,

BitFenix Xi Zhi District, New Taipei City, Chinese Taipei .

©2020 BITFENIX Co., Ltd. All Rights Reserved. All trademarks are registered to their respective owners

For the most updated information, please visit our official website : <http://www.bitfenix.com> Ver 1.0 | 2019/05