




Dear customer,

Congratulations on choosing the Noctua NH-U9 TR4-SP3.

Having received more than 300 awards and recommendations from international hardware websites and magazines, the NH-U9 line has become a benchmark for compact 92mm single tower coolers. The TR4-SP3 version is a tailored custom model for AMD's TR4/SP3 platform and features a larger contact surface as well as the latest SecuFirm2™ mounting system for socket TR4/SP3.

Enjoy your NH-U9 TR4-SP3!

Yours sincerely,


Roland Mossig, Noctua CEO

This manual will guide you through the installation process of the SecuFirm2™ mounting system step by step.

Prior to installing the cooler, please consult the compatibility list on our website (www.noctua.at/compatibility) and verify that the cooler is fully compatible with your motherboard.

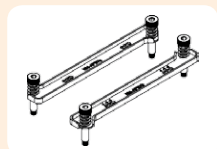
Please also make sure that your PC case offers sufficient clearance for the cooler and that there are no compatibility issues with any other components (e.g. tall RAM modules). Double check that the heatsink and fan clips do not make contact with the VGA card or other PCIe cards.

Noctua cannot be held responsible for any damage or losses caused by compatibility issues.

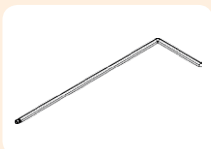
Should you encounter any difficulties, please check the FAQs on our website (www.noctua.at/faqs) and don't hesitate to contact our support team at support@noctua.at.

Multilingual versions of this manual are available on our website: www.noctua.at/manuals

Required mounting parts:



NM-AFB7 fastening brackets (pre-installed on the cooler)

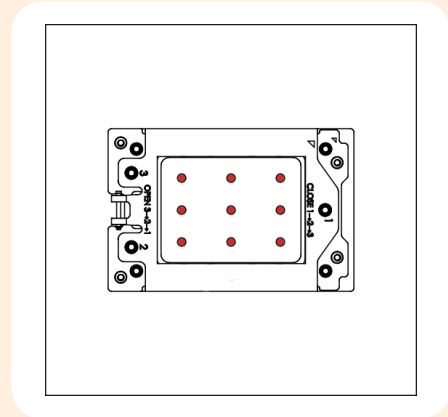


NM-SMT3 mounting tool

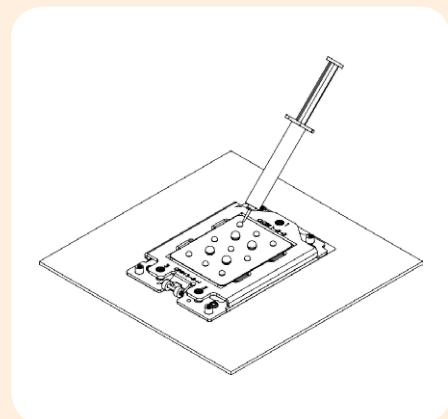
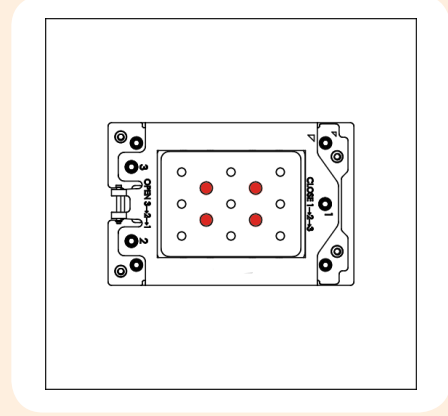
Step 1
Applying thermal paste

If there are residual traces of thermal paste or thermal pads on your CPU, please clean them off first.

Then press 9 small drops (3-4mm diameter) of NT-H1 onto the heatspreader in a square 3x3 pattern as shown below:



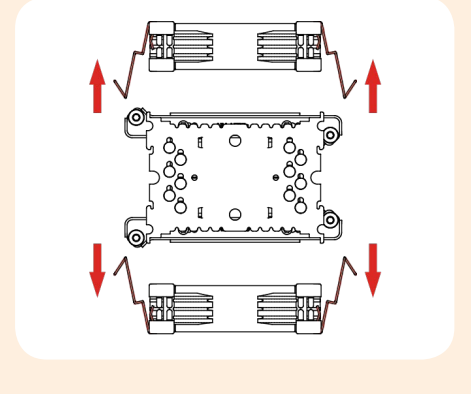
Continue by adding 4 larger drops (5-6mm diameter) of NT-H1 in a square pattern at the center as shown below:



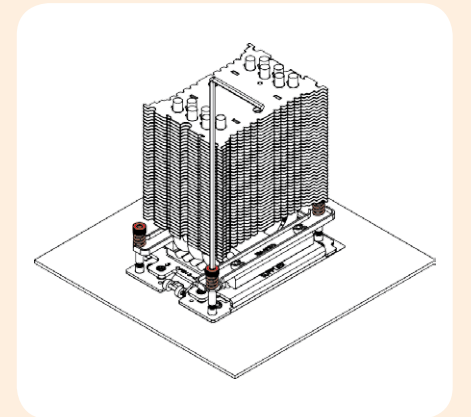
Caution: Applying too much thermal paste will lower heat conductivity and cooling performance!

Step 2
Fastening the heatsink to the CPU

Please first take off the fans as well as the protection cover at the bottom side of the heatsink.

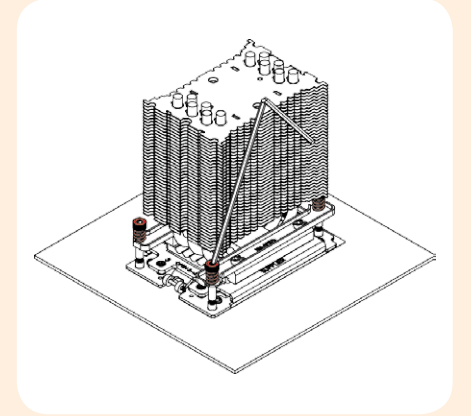


Then put the heatsink onto the CPU so that the four spring-loaded screws align with the threads of the CPU socket. Use the supplied mounting tool to tighten the screws. Perform 3 turns on each screw, then repeat until all are fully tightened.



Caution: Gently tighten the screws until they stop, but don't use excessive force (max. torque 0.6 Nm).

Note that you can tilt the mounting tool for reaching the screws in case they are blocked by the heatsink fins.

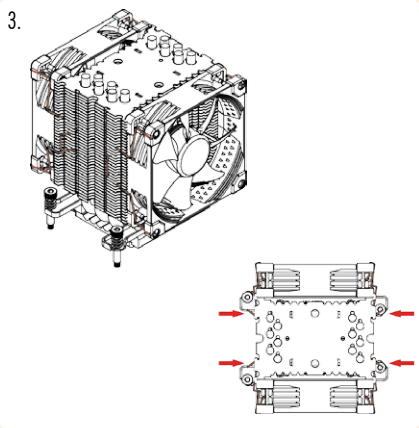
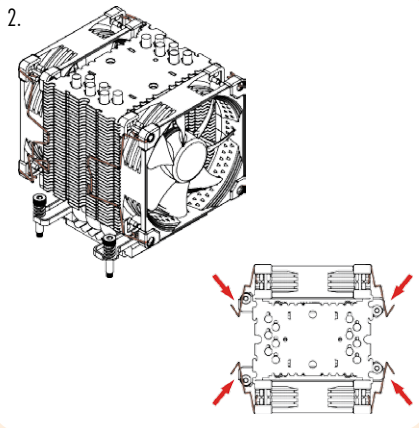
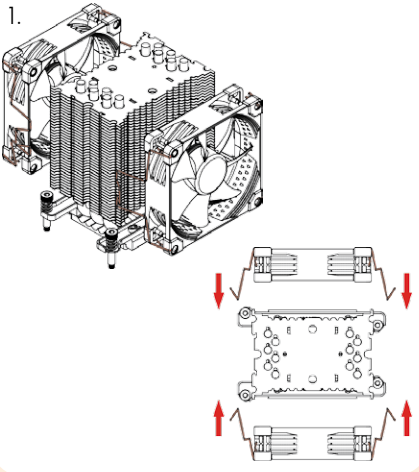




Step 3

Attaching the fan

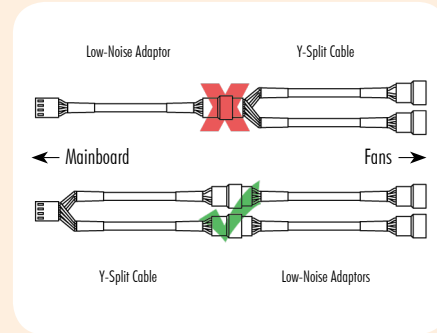
Reattach the fans using the steel clips:



Connect the fans to the motherboard's CPU fan header(s). If necessary, use the supplied NA-YC1 y-split cable to connect both fans to one fan header.

Depending on your CPU and the temperature inside the case, you may interconnect the supplied NA-RC7 Low-Noise Adaptors (L.N.A.) in order to further reduce the fans' operating noise. For optimal acoustics, it is generally recommended to always use the L.N.A. on the rear fan.

Caution: Never use one adaptor for both fans by putting it before the y-split cable.



Caution: When using the L.N.A., check the temperature of your CPU using appropriate software (e.g. the respective applications of your motherboard manufacturer), in order to evade automatic throttling of the CPU due to the increased temperature. If the cooling performance is insufficient, please increase case ventilation or remove the L.N.A.

Should I take the cooler off before transporting my system?

As it is not possible to reliably calculate or control the forces that act upon a system during transport (e.g. in shipping), we generally recommend, for safety reasons, taking the fans off the heat-sink in order to reduce the weight below 700g. Noctua cannot be held responsible for any damage that may arise due to excessive stress during transport if you keep the fan installed.

Warranty, Support and FAQs

Even with high-grade products and strict quality control, the possibility of defects cannot be eliminated entirely. Therefore, we aim at providing the highest possible level of reliability and convenience by offering a warranty period of 6 years and direct, fast and straightforward RMA service.

Should you encounter any problems with your NH-U9 TR4-SP3, please don't hesitate to contact our support team (support@noctua.at).

Please also consult the FAQ section on our website: www.noctua.at/faqs.