

WINDOW SIDE PANEL

for Silent Base 801/601 cases

IDEAL APPLICATIONS

Silent Base 801 series
Silent Base 601 series

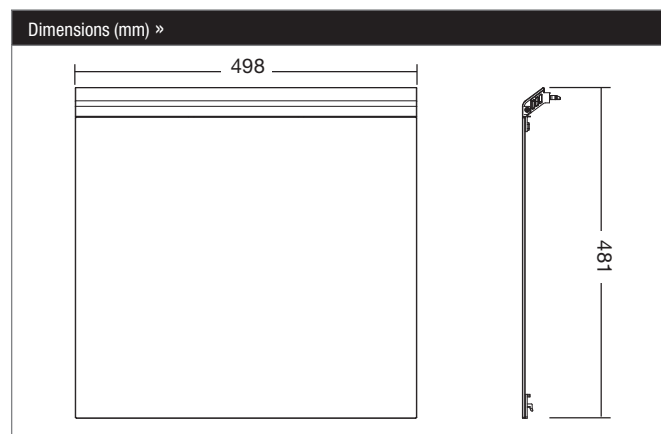
HIGHLIGHTS

Tinted and tempered glass
User-friendly mounting system
Black painted bars at all sides

Premium windowed side panel for Silent Base 801/601 cases

The elegant, windowed side panel for Silent Base 801 and Silent Base 601 cases is made of tinted and tempered glass and gives you a perfect view of the components inside your PC case. The window is made of 4mm tinted and tempered glass. All four sides of the window are painted black to hide screw holes underneath, enabling an unhindered view inside the case.

The side panel provides a mounting system with push-pins for secure and user-friendly detachment.



Technical Data »	
Article No.	BGA08
EAN code	4260052187203
Overall dimensions (L x W x H in mm)	498 x 481
Compatibility with be quiet! cases	Silent Base 801 series, Silent Base 601 series
Material	4mm tempered glass, steel

Contact »	
be quiet! Headquarters Listan GmbH Biedenkamp 3A 21509 Glinde Germany	Service hotline: +49 40 7367 686 44 (mon. - fri., 9am to 5.30pm CET) e-mail: service@bequiet.com Visit the contact section on bequiet.com for the right regional service information.