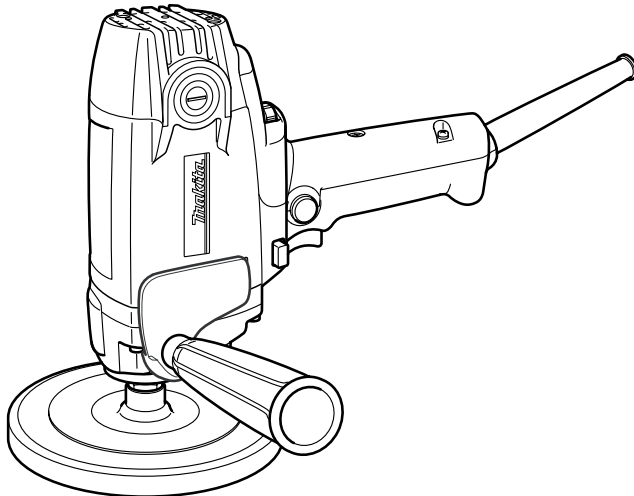
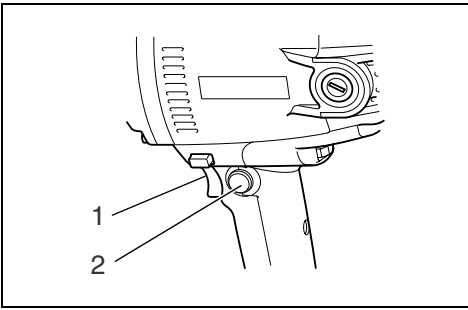




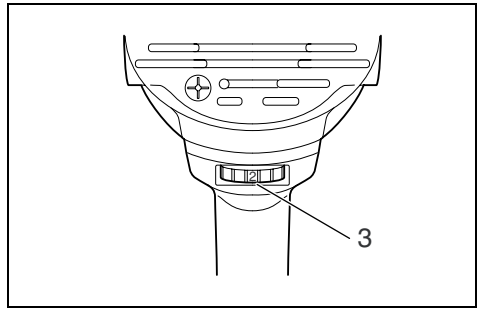
GB	Electronic Polisher	Instruction Manual
F	Polisseuse électronique	Manuel d'instructions
D	Elektronik-polierer	Betriebsanleitung
I	Lucidatrice elettronica	Istruzioni per l'uso
NL	Elektronische polijstmachine	Gebruiksaanwijzing
E	Pulidora	Manual de instrucciones
P	Polidora electrónica	Manual de instruções
DK	Elektronisk poleremaskine	Brugsanvisning
GR	Ηλεκτρονικός στιλβωτής	Οδηγίες χρήσεως

PV7000C

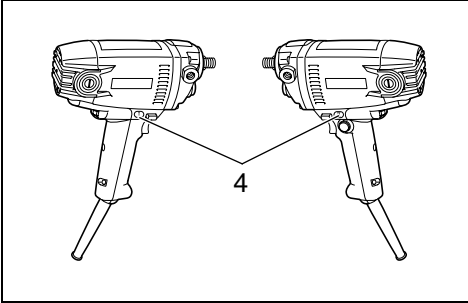




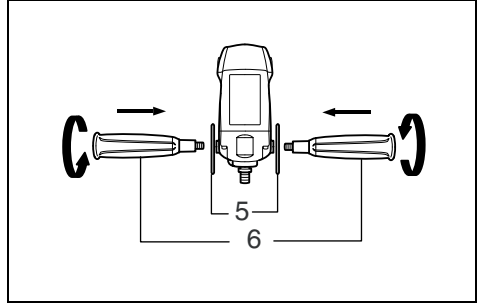
1



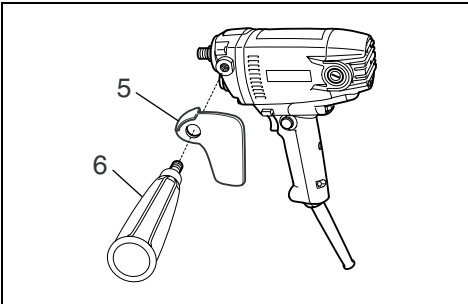
2



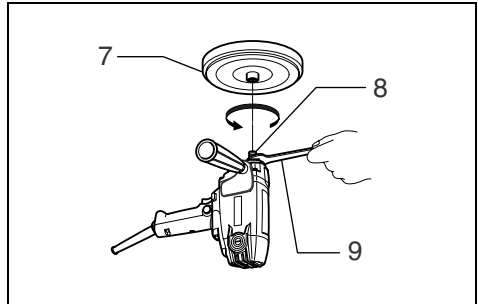
3



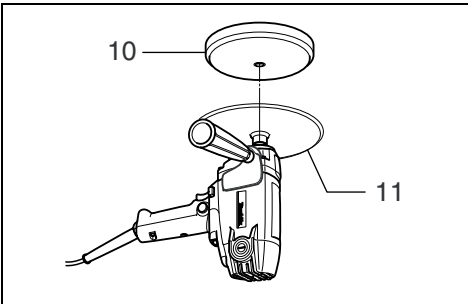
4



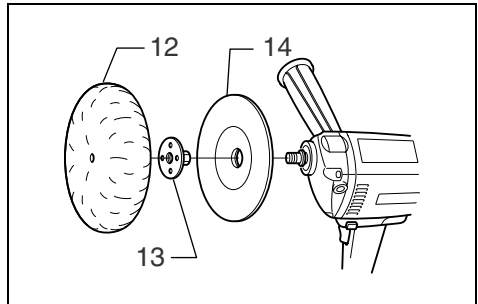
5



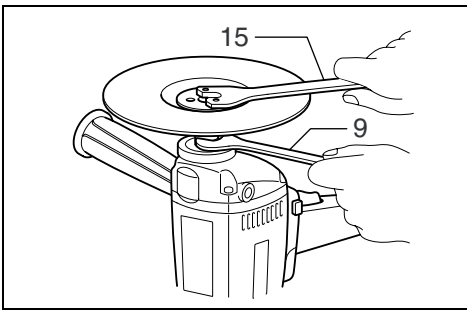
6



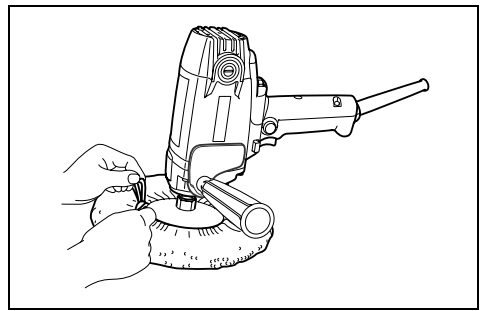
7



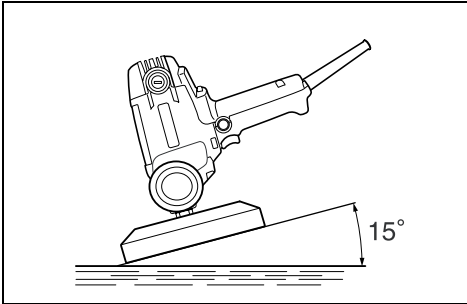
8



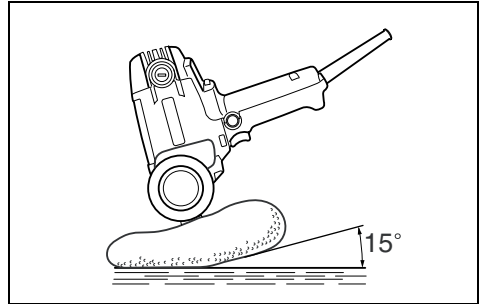
9



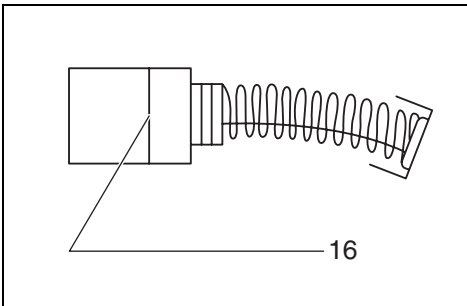
10



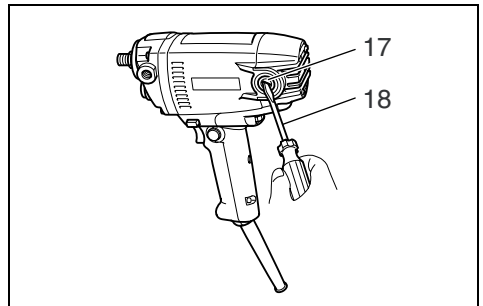
11



12



13




14

Explanation of general view

1 Switch trigger	7 Backing pad	13 Lock nut
2 Lock button	8 Spindle	14 Rubber pad
3 Speed adjusting dial	9 Wrench	15 Lock nut wrench
4 High-low speed setting button	10 Sponge pad	16 Limit mark
5 Cover	11 Pad	17 Brush holder cap
6 Side grip	12 Wool bonnet	18 Screwdriver

SPECIFICATIONS

Model	PV7000C
Max. capacities	
Sponge pad / Wool bonnet	180 mm
Spindle thread	M14
Rated speed (n) /	
No load speed (n ₀)	600 – 2,000 min ⁻¹
Overall length	210 mm
Net weight	2.1 kg
Safety class	 /II

- Due to our continuing program of research and development, the specifications herein are subject to change without notice.
- Specifications may differ from country to country.
- Weight according to EPTA-Procedure 01/2003

Intended use


The tool is intended for polishing, smoothing before painting, finishing surfaces, and removing rust and paint.

Power supply

The tool should be connected only to a power supply of the same voltage as indicated on the nameplate, and can only be operated on single-phase AC supply. They are double-insulated in accordance with European Standard and can, therefore, also be used from sockets without earth wire.

GEA010-1

General Power Tool Safety Warnings

 **WARNING** Read all safety warnings and all instructions. Failure to follow the warnings and instructions may result in electric shock, fire and/or serious injury.

Save all warnings and instructions for future reference.

GEB038-2

POLISHER SAFETY WARNINGS

Safety Warnings Common for Polishing Operation:

- 1. This power tool is intended to function as a polisher. Read all safety warnings, instructions, illustrations and specifications provided with this power tool.** Failure to follow all instructions listed below may result in electric shock, fire and/or serious injury.
- 2. Operations such as grinding, sanding, wire brushing or cutting-off are not recommended to be performed with this power tool.** Operations for which the power tool was not designed may create a hazard and cause personal injury.
- 3. Do not use accessories which are not specifically designed and recommended by the tool manufacturer.** Just because the accessory can be attached to your power tool, it does not assure safe operation.

- 4. The rated speed of the accessory must be at least equal to the maximum speed marked on the power tool.** Accessories running faster than their rated speed can break and fly apart.
- 5. The outside diameter and the thickness of your accessory must be within the capacity rating of your power tool.** Incorrectly sized accessories cannot be adequately guarded or controlled.
- 6. The arbour size of backing pads or any other accessory must properly fit the spindle of the power tool.** Accessories with arbour holes that do not match the mounting hardware of the power tool will run out of balance, vibrate excessively and may cause loss of control.
- 7. Do not use a damaged accessory. Before each use inspect the accessory such as backing pad for cracks. If power tool or accessory is dropped, inspect for damage or install an undamaged accessory, position yourself and bystanders away from the plane of the rotating accessory and run the power tool at maximum no-load speed for one minute.** Damaged accessories will normally break apart during this test time.
- 8. Wear personal protective equipment. Depending on application, use face shield, safety goggles or safety glasses. As appropriate, wear dust mask, hearing protectors, gloves and workshop apron capable of stopping small abrasive or workpiece fragments.** The eye protection must be capable of stopping flying debris generated by various operations. The dust mask or respirator must be capable of filtrating particles generated by your operation. Prolonged exposure to high intensity noise may cause hearing loss.
- 9. Keep bystanders a safe distance away from work area. Anyone entering the work area must wear personal protective equipment.** Fragments of workpiece or of a broken accessory may fly away and cause injury beyond immediate area of operation.
- 10. Position the cord clear of the spinning accessory.** If you lose control, the cord may be cut or snagged and your hand or arm may be pulled into the spinning accessory.
- 11. Never lay the power tool down until the accessory has come to a complete stop.** The spinning accessory may grab the surface and pull the power tool out of your control.
- 12. Do not run the power tool while carrying it at your side.** Accidental contact with the spinning accessory could snag your clothing, pulling the accessory into your body.
- 13. Regularly clean the power tool's air vents.** The motor's fan will draw the dust inside the housing and excessive accumulation of powdered metal may cause electrical hazards.

14. **Do not operate the power tool near flammable materials.** Sparks could ignite these materials.
15. **Do not use accessories that require liquid coolants.** Using water or other liquid coolants may result in electrocution or shock.

Kickback and Related Warnings

Kickback is a sudden reaction to a pinched or snagged rotating wheel, backing pad, brush or any other accessory. Pinching or snagging causes rapid stalling of the rotating accessory which in turn causes the uncontrolled power tool to be forced in the direction opposite of the accessory's rotation at the point of the binding.

Kickback is the result of power tool misuse and/or incorrect operating procedures or conditions and can be avoided by taking proper precautions as given below.

- a) **Maintain a firm grip on the power tool and position your body and arm to allow you to resist kickback forces. Always use auxiliary handle, if provided, for maximum control over kickback or torque reaction during start-up.** The operator can control torque reactions or kickback forces, if proper precautions are taken.
- b) **Never place your hand near the rotating accessory.** Accessory may kickback over your hand.
- c) **Do not position your body in the area where power tool will move if kickback occurs.** Kickback will propel the tool in direction opposite to the wheel's movement at the point of snagging.
- d) **Use special care when working corners, sharp edges etc. Avoid bouncing and snagging the accessory.** Corners, sharp edges or bouncing have a tendency to snag the rotating accessory and cause loss of control or kickback.
- e) **Do not attach a saw chain woodcarving blade or toothed saw blade.** Such blades create frequent kickback and loss of control.

Safety Warnings Specific for Polishing Operations:

- a) **Do not allow any loose portion of the polishing bonnet or its attachment strings to spin freely. Tuck away or trim any loose attachment strings.** Loose and spinning attachment strings can entangle your fingers or snag on the workpiece.

Additional Safety Warnings:

16. **Do not leave the tool running. Operate the tool only when hand-held.**
17. **Always be sure that the tool is switched off and unplugged or that the battery cartridge is removed before carrying out any work on the tool.**
18. **Check that the workpiece is properly supported.**
19. **If working place is extremely hot and humid, or badly polluted by conductive dust, use a short-circuit breaker (30 mA) to assure operator safety.**
20. **Do not use the tool on any materials containing asbestos.**
21. **Do not use water or grinding lubricant.**
22. **Ensure that ventilation openings are kept clear when working in dusty conditions. If it should become necessary to clear dust, first disconnect the tool from the main supply (use non metallic objects) and avoid damaging internal parts.**

SAVE THESE INSTRUCTIONS.

WARNING:

DO NOT let comfort or familiarity with product (gained from repeated use) replace strict adherence to safety rules for the subject product. MISUSE or failure to follow the safety rules stated in this instruction manual may cause serious personal injury.

FUNCTIONAL DESCRIPTION

CAUTION:

- Always be sure that the tool is switched off and unplugged before adjusting or checking function on the tool.

Switch action (Fig. 1)

CAUTION:

- Before plugging in the tool, always check to see that the switch trigger actuates properly and returns to the "OFF" position when released.

To start the tool, simply pull the switch trigger. Release the switch trigger to stop.

For continuous operation, pull the switch trigger and then push in the lock button.

To stop the tool from the locked position, pull the switch trigger fully, then release it.

Speed adjusting dial (Fig. 2)

The tool speed can be changed by turning the speed adjusting dial to a given number setting from 1 to 5.

Higher speed is obtained when the dial is turned in the direction of number 5. And lower speed is obtained when it is turned in the direction of number 1.

Refer to the table below for the relationship between the number settings on the dial and the approximate tool speed.

Number	min ⁻¹ (RPM)
1 – 2	600 – 800
2 – 3	800 – 1,300
3 – 4	1,300 – 1,800
4 – 5	1,800 – 2,000

CAUTION:

- If the tool is operated continuously at low speeds the motor will get overloaded, resulting in tool malfunction.
- The speed adjusting dial can be turned only as far as 5 and back to 1. Do not force it past 5 or 1, or the speed adjusting function may no longer work.

The tools equipped with electronic function are easy to operate because of the following features.

- **Electronic constant speed control**
Possible to get fine finish, because the rotating speed is kept constant even under the loaded condition.
- **Soft start feature**
Soft start because of suppressed starting shock.

High-Low speed setting button (Fig. 3)

The tool speed can be changed instantly while the tool is running. Depress the "I" position for lowest speed and depress "II" position for a given number setting.

The tool speed cannot be changed when the button is in "I" position, even if you turn the speed adjusting dial. When you turn the speed adjusting dial, always be sure that the button is depressed in "II" position.

ASSEMBLY

CAUTION:

- Always be sure that the tool is switched off and unplugged before carrying out any work on the tool.

Installing side grip (auxiliary handle) & cover (Fig. 4 & 5)

CAUTION:

- Always be sure that the side grip is installed securely before operation.

Install the cover, then screw the side grip on the tool securely. The side grip and the cover can be installed on either side of the tool.

Installing or removing backing pad (Fig. 6)

Hold the spindle with the wrench so that it cannot revolve. Then screw the pad onto the spindle all the way. (The pad can be used to install the optional sponge pad.)

To remove the pad, follow the installation procedure in reverse.

Installing or removing sponge pad (Fig. 7)

To install the sponge pad, first remove all dirt or foreign matter from the pad. Install the sponge pad to the pad.

To remove the pad, pull it off from the pad slowly.

Installing or removing the wool bonnet (Fig. 8, 9 & 10)

Mount the rubber pad onto the spindle. Screw the lock nut onto the spindle.

To tighten the lock nut, hold the spindle with the wrench so that it cannot revolve, then use the lock nut wrench and securely tighten clockwise.

Fit the wool bonnet completely over the rubber pad and pull the string tight. Tie a bow knot and tuck the knot and any loose strings between the wool bonnet and the rubber pad.

To remove the wool bonnet, follow the installation procedure in reverse.

OPERATION

Polishing operation by sponge pad (Fig. 11)

CAUTION:

- Always wear safety glasses or a face shield during operation.

In general, keep the sponge pad at an angle of about 15 degrees to the workpiece surface.

Polishing operation by wool bonnet (Fig. 12)

CAUTION:

- Always wear safety glasses or a face shield during operation.

Hold the tool firmly. Turn the tool on and then apply the wool bonnet to the workpiece.

In general, keep the wool bonnet at an angle of about 15 degrees to the workpiece surface.

Apply slight pressure only. Excessive pressure will result in poor performance and premature wear to wool bonnet.

MAINTENANCE

CAUTION:

- Always be sure that the tool is switched off and unplugged before attempting to perform inspection or maintenance.

Replacement of carbon brushes (Fig. 13 & 14)

Remove and check the carbon brushes regularly. Replace when they wear down to the limit mark. Keep the carbon brushes clean and free to slip in the holders. Both carbon brushes should be replaced at the same time. Use only identical carbon brushes.

Use a screwdriver to remove the brush holder caps.

Take out the worn carbon brushes, insert the new ones and secure the brush holder caps.

To maintain product SAFETY and RELIABILITY, repairs, any other maintenance or adjustment should be performed by Makita Authorized Service Centers, always using Makita replacement parts.

ACCESSORIES

CAUTION:

- These accessories or attachments are recommended for use with your Makita tool specified in this manual. The use of any other accessories or attachments might present a risk of injury to persons. Only use accessory or attachment for its stated purpose.

If you need any assistance for more details regarding these accessories, ask your local Makita Service Center.

- Sponge pad (Hook & loop)
- Backing pad 165 (Hook & loop)
- Wool bonnet 180
- Wrench 17
- Side grip (auxiliary handle)

ENG102-3

Noise

The typical A-weighted noise level determined according to EN60745:

Sound pressure level (L_{pA}): 81 dB (A)

Sound power level (L_{WA}): 92 dB (A)

Uncertainty (K): 3 dB (A)

Wear ear protection.

ENG240-1

Vibration

The vibration total value (tri-axial vector sum) determined according to EN60745:

Work mode: polishing

Vibration emission ($a_{h,p}$): 2.5 m/s² or less

Uncertainty (K): 1.5 m/s²

If the tool is used for other applications, the vibration emission value may be different.

ENG901-1

- The declared vibration emission value has been measured in accordance with the standard test method and may be used for comparing one tool with another.
- The declared vibration emission value may also be used in a preliminary assessment of exposure.

WARNING:

- The vibration emission during actual use of the power tool can differ from the declared emission value depending on the ways in which the tool is used.
- Be sure to identify safety measures to protect the operator that are based on an estimation of exposure in the actual conditions of use (taking account of all parts of the operating cycle such as the times when the tool is switched off and when it is running idle in addition to the trigger time).

ENH101-13

For European countries only

EC Declaration of Conformity

We Makita Corporation as the responsible manufacturer declare that the following Makita machine(s):

Designation of Machine:

Electronic Polisher

Model No./ Type: PV7000C

are of series production and

Conforms to the following European Directives:

98/37/EC until 28th December 2009 and then with
2006/42/EC from 29th December 2009

And are manufactured in accordance with the following standards or standardised documents:

EN60745

The technical documentation is kept by our authorised representative in Europe who is:

Makita International Europe Ltd.
Michigan Drive, Tongwell,
Milton Keynes, MK15 8JD, England

30th January 2009




Tomoyasu Kato
Director

Makita Corporation
3-11-8, Sumiyoshi-cho,
Anjo, Aichi, JAPAN

Descriptif

1 Gâchette	7 Plateau de support	13 Ecrou du plateau
2 Bouton de blocage	8 Axe	14 Plateau caoutchouc
3 Cadran de réglage de la vitesse	9 Clé plate	15 Clé à ergots
4 Bouton de réglage de la vitesse	10 Coussinet-éponge	16 Repère d'usure
5 Couvercle	11 Coussin	17 Bouchon du porte-charbon
6 Poignée latérale	12 Peau de mouton	18 Tournevis

SPÉCIFICATIONS

Modèle	PV7000C
Capacités maximum	
Coussinet-éponge / Peau de mouton	180 mm
Filetage de l'arbre	M14
Vitesse nominale (n) /	
Vitesse à vide (n ₀)	600 – 2 000 min ⁻¹
Longueur totale	210 mm
Poids net	2,1 kg
Catégorie de sécurité	 /II

- Étant donné l'évolution constante de notre programme de recherche et de développement, les spécifications contenues dans ce manuel sont sujettes à modification sans préavis.
- Les spécifications peuvent varier suivant les pays.
- Poids selon la procédure EPTA 01/2003

Utilisations

L'outil est conçu pour le polissage, la finition avant application de peinture, la finition des surfaces, le dérouillage et l'enlèvement de la peinture.

Alimentation

L'outil ne devra être raccordé qu'à une alimentation de la même tension que celle qui figure sur la plaque signalétique, et il ne pourra fonctionner que sur un courant secteur monophasé. Réalisé avec une double isolation, il est conforme à la réglementation européenne et peut de ce fait être alimenté sans mise à la terre.

GEA010-1

Consignes de sécurité générales pour outils électriques

⚠ MISE EN GARDE Veuillez lire toutes les mises en garde et toutes les instructions. Il y a risque de choc électrique, d'incendie et/ou de blessure grave si les mises en garde et les instructions ne sont pas respectées.

Conservez toutes les mises en garde et instructions pour référence ultérieure.

GEB038-2

CONSIGNES DE SÉCURITÉ POUR POLISSEUSE

Consignes de sécurité communes aux travaux de polissage :

1. **Cet outil électrique est conçu pour l'utilisation en tant que polisseuse. Veuillez lire les consignes de sécurité, instructions, illustrations et spécifications qui accompagnent cet outil électrique.** Il y a risque de choc électrique, d'incendie et/ou de blessure grave si les instructions ci-dessous ne sont pas toutes respectées.

2. **Il n'est pas recommandé d'utiliser cet outil électrique pour effectuer des travaux tels que le meulage, le ponçage, le brossage métallique et le tronçonnage.** Il y a risque de danger et de blessure si l'outil électrique est utilisé pour exécuter des travaux pour lesquels il n'a pas été conçu.
3. **N'utilisez pas d'accessoires non spécifiquement conçus et recommandés par le fabricant de l'outil.** Même s'il est possible de fixer un accessoire à l'outil électrique, cela ne garantit pas qu'il fonctionnera de manière sûre.
4. **La vitesse nominale de l'accessoire doit être au moins égale à la vitesse maximale indiquée sur l'outil électrique.** Les accessoires utilisés à une vitesse supérieure à leur vitesse nominale peuvent se casser et voler en éclats.
5. **Le diamètre extérieur et l'épaisseur de l'accessoire ne doivent pas dépasser la capacité nominale de l'outil électrique.** La maîtrise et la protection des accessoires de format incorrect ne peuvent être garantis.
6. **La taille de l'alésage des plateaux de support ou autres accessoires doit être bien adaptée à la taille de l'axe de l'outil électrique.** Un accessoire dont les alésages ne sont pas bien adaptés à la taille de la pièce où il est monté sur l'outil électrique se déséquilibrera, vibrera trop et pourra entraîner une perte de maîtrise de l'outil.
7. **N'utilisez pas l'accessoire s'il est endommagé. Avant chaque utilisation, vérifiez les accessoires tels que le plateau de support, pour y détecter la présence de fissures. Si vous échappez l'outil électrique ou un accessoire, assurez-vous qu'il n'est pas endommagé et remplacez-le en cas de dommage. Après avoir vérifié et installé un accessoire, assurez-vous que personne, y compris vous-même, ne se trouve au même niveau que l'accessoire rotatif, et faites tourner l'outil électrique à vitesse maximale, sans charge, pendant une minute.** Normalement l'accessoire se cassera lors de ce test s'il est endommagé.
8. **Portez des dispositifs de protection personnelle. Suivant le type de travail à effectuer, utilisez un écran facial, des lunettes étanches ou des lunettes de sécurité. Au besoin, portez un masque antipoussières, des protecteurs d'oreilles, des gants ou un tablier de travail assurant une protection contre les petits fragments de pièce.** La protection des yeux doit pouvoir arrêter les débris éjectés lors des divers travaux. Le masque antipoussières ou le masque filtrant doit pouvoir filtrer les particules générées lors des travaux. L'exposition prolongée à un bruit d'intensité élevée peut entraîner la surdité.

9. **Assurez-vous que les curieux demeurent à une distance sûre de la zone de travail. Toute personne pénétrant dans la zone de travail doit porter des dispositifs de protection personnelle.** Des fragments de pièce ou un accessoire cassé peuvent être éjectés et blesser les personnes présentes dans la zone de travail.
10. **Placez le cordon à l'écart de l'accessoire tournant.** Si vous perdez la maîtrise de l'outil, vous risquez de couper ou d'accrocher le cordon, et l'accessoire tournant risque de vous happer une main ou un bras.
11. **Ne déposez jamais l'outil électrique avant que l'accessoire n'ait complètement cessé de tourner.** L'accessoire tournant risquerait d'accrocher la surface et d'entraîner une perte de maîtrise de l'outil électrique.
12. **Ne laissez pas tourner l'outil électrique lorsque vous le transportez.** L'accessoire tournant risquerait d'entrer accidentellement en contact avec vos vêtements et d'être ensuite attiré vers votre corps.
13. **Nettoyez régulièrement les orifices de ventilation de l'outil électrique.** Le ventilateur du moteur attire la poussière à l'intérieur du carter et l'accumulation excessive de poudre métallique peut causer un danger électrique.
14. **N'utilisez pas l'outil électrique près des matériaux inflammables.** Les étincelles peuvent allumer ces matériaux.
15. **N'utilisez pas d'accessoires pour lesquels l'utilisation d'un liquide de refroidissement est nécessaire.** L'utilisation d'eau ou d'un liquide de refroidissement comporte un risque d'électrocution ou de choc électrique.

Mises en garde concernant les chocs en retour

Le choc en retour est une réaction soudaine qui survient lorsque la meule, la semelle, la brosse ou un autre accessoire en rotation se coince ou accroche. Lorsque l'accessoire en rotation se coince ou accroche, il s'arrête soudainement et l'utilisateur perd alors la maîtrise de l'outil électrique projeté dans le sens contraire de sa rotation au point où il se coince dans la pièce.

Le choc en retour est le résultat d'une mauvaise utilisation de l'outil électrique et/ou de procédures ou conditions inadéquates de travail. Il peut être évité en prenant les mesures appropriées, tel qu'indiqué ci-dessous.

- a) **Maintenez une poigne ferme sur l'outil électrique, et placez corps et bras de façon à assurer une bonne résistance aux forces de choc en retour.** Utilisez toujours la poignée auxiliaire lorsque cette dernière est disponible, pour assurer une maîtrise maximale de l'outil en cas de choc en retour ou de couple de réaction au moment du démarrage. L'utilisateur peut maîtriser l'effet du couple de réaction ou du choc en retour s'il prend les précautions nécessaires.
- b) **Ne placez jamais la main près d'un accessoire en rotation.** L'accessoire risquerait de passer sur la main en cas de choc en retour.
- c) **Ne vous placez pas dans la zone vers laquelle l'outil électrique se déplacera en cas de choc en retour.** Le choc en retour projettera l'outil dans le sens opposé au mouvement de la meule au point où elle accroche dans la pièce.

- d) **Soyez tout particulièrement prudent lorsque vous travaillez dans les coins, sur des bords tranchants, etc. Évitez de laisser l'accessoire bondir ou accrocher.** L'accessoire en rotation a tendance à accrocher, entraînant une perte de maîtrise ou un choc en retour, au contact des coins et des bords tranchants, ou lorsqu'il bondit.
- e) **Ne fixez pas une lame de tronçonneuse ou une lame dentée.** De telles lames causent fréquemment des chocs en retour et des pertes de maîtrise.

Consignes de sécurité propres aux travaux de polissage :

- a) **Évitez de laisser tourner librement toute partie de la peau de polissage ou l'excédent des fils qui la retiennent. Cachez ou coupez tout excédent de fil.** En tournant, l'excédent de fil risquerait de s'enchevêtrer autour de vos doigts ou d'accrocher la pièce à travailler.

Consignes de sécurité supplémentaires :

16. **Ne laissez pas tourner l'outil après l'utilisation. Ne faites fonctionner l'outil qu'une fois que vous l'avez bien en main.**
17. **Assurez-vous toujours que l'outil est hors tension et débranché ou que sa batterie est retirée avant d'effectuer tout travail dessus.**
18. **Vérifiez que la pièce est correctement soutenue.**
19. **Si le site de travail est extrêmement chaud et humide, ou s'il y a beaucoup de poussières conductrices dans l'air, utilisez un coupe-circuit (30 mA) pour assurer votre sécurité.**
20. **N'utilisez l'outil sur aucun matériau contenant de l'amiante.**
21. **N'utilisez pas d'eau ou de lubrifiant à meulage.**
22. **Assurez-vous que les orifices de ventilation sont toujours bien dégagés lorsque vous travaillez dans des conditions poussiéreuses. Lorsqu'il devient nécessaire de retirer la poussière accumulée, débranchez d'abord l'outil de la prise secteur (utilisez un objet non métallique) et prenez garde d'endommager les pièces internes.**

CONSERVEZ CES INSTRUCTIONS.

AVERTISSEMENT :

NE vous laissez PAS tromper (au fil d'une utilisation répétée) par un sentiment d'aisance et de familiarité avec le produit, en négligeant le respect rigoureux des consignes de sécurité qui accompagnent le produit en question. La MAUVAISE UTILISATION de l'outil ou l'ignorance des consignes de sécurité indiquées dans ce manuel d'instructions peut entraîner une blessure grave.

DESCRIPTION DU FONCTIONNEMENT

ATTENTION :

- Assurez-vous toujours que l'outil est hors tension et débranché avant de l'ajuster ou de vérifier son fonctionnement.

Interrupteur (Fig. 1)

ATTENTION :

- Avant de brancher l'outil, vérifiez toujours que la gâchette fonctionne correctement et revient sur la position OFF une fois relâchée.

Pour mettre l'outil en route, il suffit de tirer sur la gâchette de l'interrupteur. Pour arrêter l'outil, relâchez la gâchette de l'interrupteur.

Pour obtenir un fonctionnement continu, tirez sur la gâchette de l'interrupteur et appuyez sur le bouton de blocage.

Pour arrêter l'outil lorsqu'il fonctionne en continu, tirez à fond sur la gâchette de l'interrupteur et relâchez-la.

Cadran de réglage de la vitesse (Fig. 2)

La vitesse de l'outil peut être modifiée en tournant le cadran de réglage de la vitesse sur un numéro de réglage donné, de 1 à 5.

Une vitesse plus élevée est obtenue lorsque le cadran est tourné dans le sens du numéro 5. Une vitesse plus basse est obtenue lorsqu'il est tourné dans le sens du numéro 1.

Reportez-vous au tableau qui suit pour le rapport entre les réglages numérotés sur le cadran et la vitesse approximative de l'outil.

Numéro	min ⁻¹ (RPM)
1 – 2	600 – 800
2 – 3	800 – 1 300
3 – 4	1 300 – 1 800
4 – 5	1 800 – 2 000

ATTENTION :

- Si l'outil est utilisé de manière continue à vitesse basse, le moteur surchauffera et cela entraînera un dysfonctionnement de l'outil.
- Le cadran de réglage de la vitesse ne peut pas être tourné plus haut que 5 ou plus bas que 1. N'essayez pas de le placer au-delà de 5 ou en dessous de 1, sinon le réglage de la vitesse risque de ne plus fonctionner.

Les outils dotés de fonctions électroniques sont faciles à utiliser grâce aux caractéristiques suivantes.

• Commande électronique de vitesse constante

Elle permet d'obtenir une belle finition, car la vitesse de rotation est maintenue constante même lorsque l'outil est soumis à une charge.

• Démarrage en douceur

Douceur du démarrage grâce à la suppression du "choc de démarrage".

Bouton de réglage de la vitesse (Fig. 3)

La vitesse de l'outil peut être modifiée instantanément pendant que l'outil fonctionne. Appuyez sur la position "I" pour la vitesse la plus basse et appuyez sur la position "II" pour faire le réglage sur un numéro spécifique. La vitesse de l'outil ne peut pas être modifiée lorsque le bouton se trouve en position "I", même si vous tournez le cadran de réglage de la vitesse. Lorsque vous tournez le cadran de réglage de la vitesse, assurez-vous toujours que le bouton est enfoncé en position "II".

ASSEMBLAGE

ATTENTION :

- Assurez-vous toujours que l'outil est hors tension et débranché avant d'effectuer tout travail dessus.

Installation de la poignée latérale (poignée auxiliaire) et du couvercle (Fig. 4 et 5)

ATTENTION :

- Avant l'utilisation, assurez-vous toujours que la poignée latérale est installée de manière sûre.

Installez le couvercle, puis vissez à fond la poignée latérale sur l'outil. La poignée latérale et le couvercle peuvent être installés d'un côté ou de l'autre de l'outil.

Installation ou retrait du plateau de support (Fig. 6)

Saisissez l'arbre avec la clé pour l'empêcher de tourner. Puis vissez le coussinet dans l'arbre jusqu'au bout. (Le coussinet peut être utilisé pour installer le coussinet-éponge en option.)

Pour retirer le coussinet, suivez la procédure d'installation en sens inverse.

Installation ou retrait du coussinet-éponge (Fig. 7)

Pour installer le coussinet-éponge, retirez d'abord toute saleté ou corps étranger du coussinet. Installez le coussinet-éponge sur le coussinet.

Pour retirer le coussinet-éponge, tirez-le lentement pour le dégager du coussinet.

Installation ou retrait de la peau de mouton (Fig. 8, 9 et 10)

Placez le plateau caoutchouc sur l'arbre. Vissez l'écrou sur l'arbre.

Pour serrer l'écrou du plateau, retenez l'axe à l'aide de la clé pour l'empêcher de tourner, et serrez fermement l'écrou du plateau en tournant la clé à ergots dans le sens des aiguilles d'une montre.

Recouvrez complètement le plateau caoutchouc avec la peau de mouton, et tirez fermement sur le fil. Faites un nœud papillon et nouez tout bout de ficelle qui dépasse entre la peau de mouton et le coussin de caoutchouc.

Pour retirer la peau de mouton, suivez la procédure d'installation en sens inverse.

UTILISATION

Poissage avec le coussinet-éponge (Fig. 11)

ATTENTION :

- Portez toujours des lunettes de protection ou un écran facial pendant l'opération.

En général, gardez le coussinet-éponge sur un angle d'environ 15 degrés par rapport à la surface de la pièce à travailler.

Polissage avec la peau de mouton (Fig. 12)

ATTENTION :

- Portez toujours des lunettes de protection ou un écran facial pendant l'opération.

Tenez l'outil fermement. Mettez le contact puis appliquez la peau de mouton contre la pièce à travailler.

En général, gardez la peau de mouton sur un angle d'environ 15 degrés par rapport à la surface de la pièce à travailler.

N'appliquez qu'une faible pression. Une pression excessive donnerait un résultat médiocre et entraînerait l'usure rapide de la peau de mouton.

ENTRETIEN

ATTENTION :

- Assurez-vous toujours que l'outil est hors tension et débranché avant d'y effectuer tout travail d'inspection ou d'entretien.

Remplacement des charbons (Fig. 13 et 14)

Retirez et vérifiez régulièrement les charbons. Remplacez-les lorsqu'ils sont usés jusqu'au trait de limite d'usure. Maintenez les charbons propres et en état de glisser aisément dans les porte-charbon. Les deux charbons doivent être remplacés en même temps. N'utilisez que des charbons identiques.

Utilisez un tournevis pour retirer les bouchons de porte-charbon. Enlevez les charbons usés, insérez-en de nouveaux et revissez solidement les bouchons de porte-charbon.

Pour maintenir la SÉCURITÉ et la FIABILITÉ du produit, les réparations et tout autre travail d'entretien ou de réglage doivent être effectués dans un centre de service après-vente Makita agréé, exclusivement avec des pièces de rechange Makita.

ACCESSOIRES

ATTENTION :

- Ces accessoires ou pièces complémentaires sont recommandés pour l'utilisation avec l'outil Makita spécifié dans ce mode d'emploi. L'utilisation de tout autre accessoire ou pièce peut comporter un risque de blessure. N'utilisez les accessoires ou pièces qu'aux fins mentionnées dans le présent mode d'emploi.

Si vous désirez obtenir plus de détails concernant ces accessoires, veuillez contacter le centre de service après-vente Makita le plus près.

- Coussinet-éponge (à bande velcro)
- Plateau de support 165 (à bande velcro)
- Peau de mouton 180
- Clé plate 17
- Poignée latérale (poignée auxiliaire)

ENG102-3

Bruit

Niveau de bruit pondéré A typique, déterminé selon EN60745 :

- Niveau de pression sonore (L_{pA}) : 81 dB (A)
- Niveau de puissance sonore (L_{WA}) : 92 dB (A)
- Incertitude (K) : 3 dB (A)

Porter des protecteurs anti-bruit.

Vibrations

Valeur totale de vibrations (somme de vecteur triaxial) déterminée selon EN60745 :

Mode de travail : polissage

Émission de vibrations ($a_{h,p}$) : 2,5 m/s² ou moins

Incertitude (K) : 1,5 m/s²

Si l'outil est utilisé pour d'autres applications, il se peut que les valeurs de vibration soient différentes.

ENG901-1

- La valeur d'émission de vibrations déclarée a été mesurée conformément à la méthode de test standard et peut être utilisée pour comparer les outils entre eux.
- La valeur d'émission de vibrations déclarée peut aussi être utilisée pour l'évaluation préliminaire de l'exposition.

AVERTISSEMENT :

- L'émission de vibrations lors de l'usage réel de l'outil électrique peut être différente de la valeur d'émission déclarée, suivant la façon dont l'outil est utilisé.
- Les mesures de sécurité à prendre pour protéger l'utilisateur doivent être basées sur une estimation de l'exposition dans des conditions réelles d'utilisation (en tenant compte de toutes les composantes du cycle d'utilisation, comme par exemple le moment de sa mise hors tension, lorsqu'il tourne à vide et le moment de son déclenchement).

ENH101-13

Pour les pays d'Europe uniquement

Déclaration de conformité CE

Makita Corporation, en tant que fabricant responsable, déclare que la ou les machines suivantes :

Désignation de la machine :

Polisseuse électronique

N° de modèle / Type : PV7000C

sont produites en série et

sont conformes aux Directives européennes suivantes :

98/37/CE jusqu'au 28 décembre 2009, puis 2006/

42/CE à compter du 29 décembre 2009

et qu'elles sont fabriquées conformément aux normes ou documents normalisés suivants :

EN60745

La documentation technique est conservée par notre représentant agréé en Europe, à savoir :

Makita International Europe Ltd.

Michigan Drive, Tongwell,

Milton Keynes, MK15 8JD, Angleterre

30 janvier 2009




Tomoyasu Kato
Directeur

Makita Corporation
3-11-8, Sumiyoshi-cho,
Anjo, Aichi, JAPAN

Übersicht

1	Elektronikschalter	7	Schleifteller	13	Flanschmutter
2	Schalterarretierung	8	Spindel	14	Elastischer Schleifteller
3	Drehzahl-Stellrad	9	Schraubenschlüssel	15	Stirnlochschlüssel
4	Drehzahl-Umschaltknopf	10	Schaumstoffkissen	16	Verschleißgrenze
5	Abdeckung	11	Teller	17	Kohlebürstenkappe
6	Seitengriff	12	Polierhaube	18	Schraubendreher

TECHNISCHE DATEN

Modell	PV7000C
Max. Schleifleistung	
Schaumstoffkissen/Polierhaube	180 mm
Spindelgewinde	M14
Neendrehzahl (n) /	
Leerlaufdrehzahl (n ₀)	600 bis 2 000 min ⁻¹
Gesamtlänge	210 mm
Nettogewicht	2,1 kg
Sicherheitsklasse	 /II

- Wir behalten uns vor, Änderungen im Zuge der Entwicklung und des technischen Fortschritts ohne vorherige Ankündigung vorzunehmen.
- Die technischen Daten können von Land zu Land abweichen.
- Gewicht nach EPTA-Verfahren 01/2003

Vorgesehene Verwendung

Das Werkzeug ist für Polieren, Glätten vor dem Lackieren, Feinschleifen von Oberflächen und Entfernen von Rost und Lack vorgesehen.

Netzanschluss

Die Maschine darf nur an die auf dem Typenschild angegebene Netzspannung angeschlossen werden und arbeitet nur mit Einphasen-Wechselspannung. Sie ist entsprechend den Europäischen Richtlinien doppelt schutzisoliert und kann daher auch an Steckdosen ohne Erdanschluss betrieben werden.

GEA010-1

Allgemeine Sicherheitswarnungen für Elektrowerkzeuge

⚠️ WARNUNG Lesen Sie alle Sicherheitswarnungen und Anweisungen durch. Eine Missachtung der unten aufgeführten Warnungen und Anweisungen kann zu einem elektrischen Schlag, Brand und/oder schweren Verletzungen führen.

Bewahren Sie alle Warnungen und Anweisungen für spätere Bezugnahme auf.

GEB038-2

SICHERHEITSWARNUNGEN FÜR POLIERER

Allgemeine Sicherheitswarnungen für Polierbetrieb:

1. **Dieses Elektrowerkzeug ist für den Einsatz als Polierer vorgesehen. Lesen Sie alle mit diesem Elektrowerkzeug gelieferten Sicherheitswarnungen, Anweisungen, Abbildungen und technischen Daten durch.** Eine Missachtung der unten aufgeführten Anweisungen kann zu einem elektrischen Schlag, Brand und/oder schweren Verletzungen führen.

2. **Arbeiten, wie Trennschleifen, Schleifen, Drahtbürsten oder Abscheiden mit diesem Elektrowerkzeug sind nicht zu empfehlen.** Benutzungsweisen, für die das Elektrowerkzeug nicht ausgelegt ist, können Gefahren erzeugen und Verletzungen verursachen.
3. **Verwenden Sie kein Zubehör, das nicht speziell vom Werkzeughersteller vorgesehen ist und empfohlen wird.** Die bloße Tatsache, dass ein Zubehörteil an Ihrem Elektrowerkzeug angebracht werden kann, gewährleistet noch keinen sicheren Betrieb.
4. **Die Neendrehzahl des Zubehörteils muss mindestens der am Elektrowerkzeug angegebenen Maximaldrehzahl entsprechen.** Zubehörteile, die schneller als ihre Neendrehzahl rotieren, können bersten und auseinander fliegen.
5. **Außendurchmesser und Dicke des Zubehörteils müssen innerhalb der Kapazitätsgrenzen Ihres Elektrowerkzeugs liegen.** Zubehörteile der falschen Größe können nicht angemessen geschützt oder kontrolliert werden.
6. **Die Wellengröße von Schleiftellern oder anderen Zubehörteilen muss genau der Spindelgröße des Elektrowerkzeugs entsprechen.** Zubehörteile, deren Spindelbohrung nicht genau auf den Montageflansch des Elektrowerkzeugs passt, laufen unrund, vibrieren übermäßig und können einen Verlust der Kontrolle verursachen.
7. **Verwenden Sie keine beschädigten Zubehörteile. Überprüfen Sie das Zubehörteil (z. B. Schleifteller) vor jedem Gebrauch auf Brüche.** Falls das Elektrowerkzeug oder das Zubehörteil herunterfällt, überprüfen Sie es auf Beschädigung, oder montieren Sie ein unbeschädigtes Zubehörteil. Achten Sie nach der Überprüfung und Installation eines Zubehörteils darauf, dass Sie selbst und Umstehende nicht in der Rotationsebene des Zubehörteils stehen, und lassen Sie das Elektrowerkzeug eine Minute lang mit maximaler Leerlaufdrehzahl laufen. Ein beschädigtes Zubehörteil bricht normalerweise während dieses Probeaufs auseinander.
8. **Tragen Sie Schutzausrüstung. Benutzen Sie je nach der Arbeit einen Gesichtsschutz bzw. eine Sicherheits- oder Schutzbrille. Tragen Sie bei Bedarf eine Staubmaske, Ohrschützer, Handschuhe und eine Arbeitsschürze, die in der Lage ist, kleine geschliffene Werkstücksplitter abzuwehren.** Der Augenschutz muss in der Lage sein, den bei verschiedenen Arbeiten anfallenden Flugsstaub abzuwehren. Die Staubmaske oder Atemschutzmaske muss in der Lage sein, durch die Arbeit erzeugte Partikel herauszufiltern. Lang anhaltende Lärmbelastung kann zu Gehörschäden führen.

9. **Halten Sie Umstehende in sicherem Abstand vom Arbeitsbereich. Jeder, der den Arbeitsbereich betritt, muss Schutzausrüstung tragen.** Bruchstücke des Werkstücks oder eines beschädigten Zubehörs können weggeschleudert werden und Verletzungen über den unmittelbaren Arbeitsbereich hinaus verursachen.
10. **Halten Sie das Kabel vom rotierenden Zubehörtteil fern.** Falls Sie die Kontrolle verlieren, kann das Kabel durchtrennt oder erfasst werden, so dass Ihre Hand oder Ihr Arm in das rotierende Zubehörtteil hineingezogen wird.
11. **Legen Sie das Elektrowerkzeug erst ab, nachdem das Zubehörtteil zum vollständigen Stillstand gekommen ist.** Anderenfalls kann das rotierende Zubehörtteil die Oberfläche erfassen und das Elektrowerkzeug aus Ihren Händen reißen.
12. **Lassen Sie das Elektrowerkzeug nicht laufen, während Sie es an Ihrer Seite tragen.** Das rotierende Zubehörtteil könnte sonst bei versehentlichem Kontakt Ihre Kleidung erfassen und auf Ihren Körper zu gezogen werden.
13. **Reinigen Sie die Ventilationsöffnungen des Elektrowerkzeugs regelmäßig.** Der Lüfter des Motors saugt Staub in das Gehäuse an, und starke Ablagerungen von Metallstaub können elektrische Gefahren verursachen.
14. **Betreiben Sie das Elektrowerkzeug nicht in der Nähe von brennbaren Materialien.** Funken könnten diese Materialien entzünden.
15. **Verwenden Sie keine Zubehörtteile, die Kühlflüssigkeiten erfordern.** Die Verwendung von Wasser oder anderen Kühlflüssigkeiten kann zu einem Stromschlag führen.

Warnungen vor Rückschlag und damit zusammenhängenden Gefahren

Ein Rückschlag ist eine plötzliche Reaktion auf Klemmen oder Hängenbleiben der Schleifscheibe, des Schleiftellers, der Drahtbürste oder eines anderen Zubehörs. Klemmen oder Hängenbleiben verursacht sofortiges Stocken des rotierenden Zubehörs, was wiederum dazu führt, dass das außer Kontrolle geratene Elektrowerkzeug am Stockpunkt in die entgegengesetzte Drehrichtung des Zubehörs geschleudert wird.

Rückschlag ist das Resultat falscher Handhabung des Elektrowerkzeugs und/oder falscher Arbeitsverfahren und -bedingungen und kann durch Anwendung der nachstehenden Vorsichtsmaßnahmen vermieden werden.

- a) **Halten Sie das Elektrowerkzeug mit festem Griff, und positionieren Sie Ihren Körper und Arm so, dass Sie die Rückschlagkräfte auffangen können. Benutzen Sie stets den Zusatzgriff, wenn vorhanden, um maximale Kontrolle über Rückschlag oder Drehbewegungen während des Anlaufs zu haben.** Drehbewegungen oder Rückschlagkräfte können kontrolliert werden, wenn entsprechende Vorkehrungen getroffen werden.
- b) **Halten Sie Ihre Hand niemals in die Nähe des rotierenden Zubehörs.** Bei einem Rückschlag könnte das Zubehörtteil Ihre Hand verletzen.

- c) **Stellen Sie sich nicht in den Bereich, in den das Elektrowerkzeug bei Auftreten eines Rückschlags geschleudert wird.** Der Rückschlag schleudert die Maschine am Stockpunkt in die entgegengesetzte Drehrichtung der Schleifscheibe.
- d) **Lassen Sie beim Bearbeiten von Ecken und scharfen Kanten usw. besondere Vorsicht walten. Vermeiden Sie Anstoßen und Verhaken des Zubehörs.** Ecken, scharfe Kanten oder Anstoßen führen leicht zu Hängenbleiben des rotierenden Zubehörs und verursachen Verlust der Kontrolle oder Rückschlag.
- e) **Montieren Sie keine Sägeketten, Holzfräsen oder gezahnte Sägeblätter.** Solche Zubehörtteile verursachen häufige Rückschläge und Verlust der Kontrolle.

Sicherheitswarnungen speziell für Polierbetrieb:

- a) **Lassen Sie nicht zu, dass lose Teile der Polierhaube oder ihre Halteschnüre frei rotieren. Lose Halteschnüre sind wegzustechen oder abzuschneiden.** Lose und rotierende Halteschnüre können sich um Ihre Finger wickeln oder sich am Werkstück verfangen.

Zusätzliche Sicherheitswarnungen:

16. **Lassen Sie die Maschine nicht unbeaufsichtigt laufen. Benutzen Sie die Maschine nur mit Handhaltung.**
17. **Vergewissern Sie sich vor der Ausführung von Arbeiten an der Maschine stets, dass die Maschine ausgeschaltet und vom Stromnetz getrennt bzw. der Akku abgenommen ist.**
18. **Vergewissern Sie sich, dass das Werkstück sicher abgestützt ist.**
19. **Falls der Arbeitsplatz sehr heiß, feucht oder durch leitfähigen Staub stark verschmutzt ist, verwenden Sie einen Kurzschlusschalter (30 mA) zum Schutz des Bedieners.**
20. **Verwenden Sie diese Maschine nicht zur Bearbeitung von asbesthaltigen Materialien.**
21. **Verwenden Sie kein Wasser oder Schleiöf.**
22. **Achten Sie beim Arbeiten unter staubigen Bedingungen darauf, dass die Ventilationsöffnungen frei gehalten werden. Sollte die Beseitigung von Staub notwendig sein, trennen Sie die Maschine zuerst vom Stromnetz (nichtmetallische Gegenstände verwenden), und vermeiden Sie eine Beschädigung der Innenteile.**

BEWAHREN SIE DIESE HINWEISE SORGFÄLTIG AUF.

WARNUNG:

Lassen Sie sich NICHT durch Bequemlichkeit oder Vertrautheit mit dem Produkt (durch wiederholten Gebrauch erworben) von der strikten Einhaltung der Sicherheitsregeln für das vorliegende Produkt abhalten. **MISSBRAUCH** oder Missachtung der Sicherheitsvorschriften in dieser Anleitung können schwere Verletzungen verursachen.

FUNKTIONSBESCHREIBUNG

VORSICHT:

- Vergewissern Sie sich vor jeder Einstellung oder Funktionsprüfung der Maschine stets, dass sie ausgeschaltet und vom Stromnetz getrennt ist.

Schalterfunktion (Abb. 1)

VORSICHT:

- Vor dem Anschließen der Maschine an das Stromnetz stets überprüfen, ob der EIN-/AUS-Schalter ordnungsgemäß funktioniert und beim Loslassen in die AUS-Stellung zurückkehrt.

Zum Einschalten drücken Sie den Elektronikschalter. Zum Ausschalten lassen Sie den Schalter los.

Für Dauerbetrieb drücken Sie den Elektronikschalter und gleichzeitig die Schalterarretierung.

Zum Ausschalten des Dauerbetriebs den Elektronikschalter drücken und wieder loslassen.

Drehzahl-Stellrad (Abb. 2)

Die Drehzahl kann durch Drehen des Drehzahl-Stellrads auf eine der Stufen von 1 bis 5 verstellt werden.

Durch Drehen des Stellrads in Richtung der Stufe 5 wird die Drehzahl erhöht. Durch Drehen des Stellrads in Richtung der Stufe 1 wird die Drehzahl verringert.

Die ungefähren Drehzahlen für die einzelnen Stellrad-Positionen sind aus der nachstehenden Tabelle ersichtlich.

Position	min ⁻¹ (Drehzahl)
1 – 2	600 – 800
2 – 3	800 – 1 300
3 – 4	1 300 – 1 800
4 – 5	1 800 – 2 000

VORSICHT:

- Wird das Werkzeug im Dauerbetrieb mit niedriger Drehzahl betrieben, kommt es zu einer Überlastung des Motors, die zu einer Funktionsstörung des Werkzeugs führen kann.
- Das Drehzahl-Stellrad lässt sich nur bis 5 und zurück auf 1 drehen. Wird es gewaltsam über 5 oder 1 hinaus gedreht, lässt sich die Drehzahl möglicherweise nicht mehr einstellen.

Die mit Elektronikfunktionen ausgestatteten Maschinen weisen die folgenden Merkmale zur Bedienungserleichterung auf.

- **Elektronische Konstantdrehzahlregelung**

Feines Finish wird ermöglicht, weil die Drehzahl selbst unter Belastung konstant gehalten wird.

- **Soft-Start-Funktion**

Diese Funktion gewährleistet ruckfreies Anlaufen durch Anlaufstoßunterdrückung.

Drehzahl-Umschaltknopf (Abb. 3)

Die Werkzeugdrehzahl kann während des Betriebs sofort umgeschaltet werden. Drücken Sie den Knopf zur Position "I", um die niedrigste Drehzahl zu erhalten, und zur Position "II", um eine vorgegebene Drehzahleinstellung zu benutzen. In der Position "I" des Knopfes kann die Werkzeugdrehzahl nicht durch Drehen des Drehzahl-Stellrads verändert werden.

Wenn Sie die Drehzahl mit dem Drehzahl-Stellrad verändern wollen, achten Sie stets darauf, dass sich der Knopf in der Position "II" befindet.

MONTAGE

VORSICHT:

- Vergewissern Sie sich vor der Ausführung von Arbeiten an der Maschine stets, dass sie ausgeschaltet und vom Stromnetz getrennt ist.

Installieren von Seitengriff (Zusatzgriff) & Abdeckung (Abb. 4 u. 5)

VORSICHT:

- Vergewissern Sie sich vor dem Betrieb stets, dass der Seitengriff einwandfrei montiert ist.

Installieren Sie die Abdeckung, und schrauben Sie dann den Seitengriff am Werkzeug fest. Seitengriff und Abdeckung können je nach Bevorzugung auf beiden Seiten des Werkzeugs angebracht werden.

Anbringen und Abnehmen des Schleiftellers (Abb. 6)

Halten Sie die Spindel mit einem Schraubenschlüssel fest, um sie am Drehen zu hindern. Schrauben Sie nun den Teller bis zum Anschlag auf die Spindel. (Das gesonderte Schaumstoffkissen kann am Teller angebracht werden.)

Zum Demontieren des Tellers ist das Montageverfahren umgekehrt anzuwenden.

Montage und Demontage des Schaumstoffkissens (Abb. 7)

Bevor Sie das Schaumstoffkissen anbringen, sollten Sie den Teller zuerst von jeglichem Schmutz oder Fremdkörpern säubern. Bringen Sie das Schaumstoffkissen am Teller an.

Um das Schaumstoffkissen abzunehmen, ziehen Sie es langsam vom Teller ab.

Montage und Demontage der Polierhaube (Abb. 8, 9 u. 10)

Befestigen Sie den Gummiteiler an der Spindel. Schrauben Sie die Sicherungsmutter auf die Spindel.

Zum Anziehen der Sicherungsmutter die Spindel mit dem Schraubenschlüssel halten, um sie zu blockieren; dann die Sicherungsmutter mit dem Sicherungsmutter-schlüssel im Uhrzeigersinn anziehen.

Stülpen Sie die Wollhaube vollständig über den Gummiteiler, und ziehen Sie die Schnur straff. Schnüren Sie die Haube mit einem Knoten fest, und stecken Sie den Knoten und etwaige lose Schnurende zwischen Polierhaube und Gummiteiler weg.

Zum Demontieren der Polierhaube ist das Montageverfahren umgekehrt anzuwenden.

BETRIEB

Polierbetrieb mit Schaumstoffkissen (Abb. 11)

VORSICHT:

- Tragen Sie bei der Arbeit stets eine Schutzbrille und einen Gesichtsschutz.

Halten Sie das Schaumstoffkissen im Allgemeinen in einem Winkel von etwa 15° zur Werkstückoberfläche.

Polierbetrieb mit Wollhaube (Abb. 12)

VORSICHT:

- Tragen Sie bei der Arbeit stets eine Schutzbrille und einen Gesichtsschutz.

Halten Sie das Werkzeug mit festem Griff. Schalten Sie das Werkzeug ein, und setzen Sie dann die Wollhaube auf das Werkstück.

Halten Sie die Wollhaube im Allgemeinen in einem Winkel von etwa 15° zur Werkstückoberfläche.

Üben Sie nur leichten Druck aus. Übermäßiger Druck führt zu schlechter Polierleistung und vorzeitigem Verschleiß der Wollhaube.

WARTUNG

VORSICHT:

- Denken Sie vor der Durchführung von Überprüfungen oder Wartungsarbeiten stets daran, die Maschine auszuschalten und vom Stromnetz zu trennen.

Auswechseln der Kohlebürsten (Abb. 13 u. 14)

Die Kohlebürsten müssen regelmäßig entfernt und überprüft werden. Wenn sie bis zur Verschleißgrenze abgenutzt sind, müssen sie erneuert werden. Halten Sie die Kohlebürsten stets sauber, damit sie ungehindert in den Haltern gleiten können. Beide Kohlebürsten sollten gleichzeitig erneuert werden. Verwenden Sie nur identische Kohlebürsten.

Drehen Sie die Bürstenhalterkappen mit einem Schraubendreher heraus. Nehmen Sie die abgenutzten Kohlebürsten heraus, setzen Sie die neuen ein, und drehen Sie dann die Bürstenhalterkappen wieder ein.

Um die SICHERHEIT und ZUVERLÄSSIGKEIT dieses Produkts zu gewährleisten, sollten Reparaturen und andere Wartungs- oder Einstellarbeiten nur von Makita-Kundendienstzentren unter ausschließlicher Verwendung von Makita-Originalersatzteilen ausgeführt werden.

ZUBEHÖR

VORSICHT:

- Die folgenden Zubehörteile oder Vorrichtungen werden für den Einsatz mit der in dieser Anleitung beschriebenen Makita-Maschine empfohlen. Die Verwendung anderer Zubehörteile oder Vorrichtungen kann eine Verletzungsgefahr darstellen. Verwenden Sie Zubehörteile oder Vorrichtungen nur für ihren vorgesehenen Zweck.

Wenn Sie weitere Einzelheiten bezüglich dieser Zubehörteile benötigen, wenden Sie sich bitte an Ihre Makita-Kundendienststelle.

- Schaumstoffkissen (Klettverschluss)
- Schleifteller 165 (Klettverschluss)
- Polierhaube 180
- Schraubenschlüssel 17
- Seitengriff (Zusatzgriff)

ENG102-3

Geräusch

Typischer A-bewerteter Geräuschpegel ermittelt gemäß EN60745:

- Schalldruckpegel (L_{pA}): 81 dB (A)
- Schalleistungspegel (L_{WA}): 92 dB (A)
- Ungewissheit (K): 3 dB (A)

Gehörschutz tragen.

Vibration

Vibrationsgesamtwert (Drei-Achsen-Vektorsumme) ermittelt gemäß EN60745:

Arbeitsmodus: Polieren

Vibrationsemission ($a_{h,p}$): 2,5 m/s² oder weniger

Ungewissheit (K): 1,5 m/s²

Wenn die Maschine für andere Anwendungen verwendet wird, können die Vibrationswerte abweichen.

ENG901-1

- Der angegebene Vibrationsemissionswert wurde im Einklang mit der Standardprüfmethode gemessen und kann für den Vergleich zwischen Maschinen herangezogen werden.
- Der angegebene Vibrationsemissionswert kann auch für eine Vorbewertung des Gefährdungsgrads verwendet werden.

WARNUNG:

- Die Vibrationsemission während der tatsächlichen Benutzung des Elektrowerkzeugs kann je nach der Benutzungsweise der Maschine vom angegebenen Emissionswert abweichen.
- Identifizieren Sie Sicherheitsmaßnahmen zum Schutz des Benutzers anhand einer Schätzung des Gefährdungsgrads unter den tatsächlichen Benutzungsbedingungen (unter Berücksichtigung aller Phasen des Arbeitszyklus, wie z. B. Ausschalt- und Leerlaufzeiten der Maschine zusätzlich zur Betriebszeit).

ENH101-13

Nur für europäische Länder

EG-Übereinstimmungserklärung

Wir, die Firma Makita als verantwortlicher Hersteller, erklären, dass die folgende(n) Makita-Maschine(n):

Bezeichnung der Maschine:

Elektronik-polierer

Modell-Nr./ Typ: PV7000C

der Serienproduktion entstammen und

den folgenden europäischen Richtlinien entsprechen:

98/37/EG bis 28. Dezember 2009 und dann 2006/

42/EG ab 29. Dezember 2009

und gemäß den folgenden Standards oder standardisierten Dokumenten hergestellt werden:

EN60745

Die technische Dokumentation befindet sich im Bestand unserer autorisierten Vertretung in Europa, nämlich:

Makita International Europe Ltd.

Michigan Drive, Tongwell,

Milton Keynes, MK15 8JD, England

30. Januar 2009



Tomoyasu Kato
Direktor

Makita Corporation
3-11-8, Sumiyoshi-cho,
Anjo, Aichi, JAPAN

Visione generale

1 Pulsante di accensione	7 Tampone di rinforzo	14 Platorello in gomma
2 Pulsante di bloccaggio	8 Alberino	15 Chiave per controdadi
3 Ghiera di regolazione velocità	9 Chiave	16 Linea di delimitazione
4 Bottone di regolazione velocità alta-bassa	10 Tampone di spugna	17 Tappo portaspazzola
5 Coperchio	11 Tampone	18 Cacciavite
6 Impugnatura laterale	12 Cuffia di lana	
	13 Controdado	

DATI TECNICI

Modello	PV7000C
Capacità massima	
Tampone di spugna/Cuffia di lana	180 mm
Filettatura mandrino	M14
Velocità nominale (n) /	
Velocità a vuoto (n ₀)	600 – 2.000 min ⁻¹
Lunghezza totale	210 mm
Peso netto	2,1 kg
Classe di sicurezza	□ /II

- Per il nostro programma di ricerca e sviluppo continui, i dati tecnici sono soggetti a modifiche senza preavviso.
- I dati tecnici potrebbero differire a seconda del paese di destinazione del modello.
- Peso in base alla procedura EPTA 01/2003

Utilizzo previsto

- Questo utensile è progettato per la lucidatura, la liscivia prima delle verniciature, la rifinitura delle superfici e la rimozione della ruggine e della vernice.

Alimentazione

L'utensile deve essere collegato ad una presa di corrente con la stessa tensione indicata sulla targhetta del nome, e può funzionare soltanto con la corrente alternata monofase. Esso ha un doppio isolamento in osservanza alle norme europee, per cui può essere usato con le prese di corrente sprovviste della messa a terra.

GEA010-1

Avvertimenti generali per la sicurezza dell'utensile elettrico

⚠ AVVERTIMENTO Leggere tutti gli avvertimenti per la sicurezza e le istruzioni. La mancata osservanza degli avvertimenti e delle istruzioni può causare scosse elettriche, incendio e/o gravi incidenti.

Conservare tutti gli avvertimenti e le istruzioni per riferimenti futuri.

GEB038-2

AVVERTIMENTI PER LA SICUREZZA DELLA LUCIDATRICE

Avvertimenti comuni per la sicurezza per le operazioni di lucidatura:

1. **Questo utensile elettrico è progettato per il funzionamento come lucidatrice. Leggere tutti gli avvertimenti per la sicurezza, le istruzioni, le illustrazioni e le specifiche forniti con questo utensile elettrico.** La mancata osservanza di tutte le istruzioni seguenti potrebbe causare scosse elettriche, incendi e/o seri incidenti.

2. **Non si consiglia di usare questo utensile per operazioni quali la molatura, la sabbiatura, la spazzolatura metallica o la troncatura.** Le operazioni per le quali questo utensile elettrico non è stato progettato possono creare pericoli e causare incidenti.
3. **Non si devono usare accessori che non sono stati designati e consigliati appositamente dal produttore dell'utensile.** Anche se un accessorio può essere attaccato a questo utensile elettrico, esso non garantisce il funzionamento sicuro.
4. **La velocità nominale dell'accessorio deve essere almeno uguale alla velocità massima indicata sull'utensile elettrico.** Gli accessori che girano a una velocità maggiore di quella nominale possono rompersi e volare via.
5. **Il diametro esterno e lo spessore dell'accessorio devono essere entro la taratura nominale dell'utensile elettrico.** Gli accessori con le dimensioni sbagliate non possono essere adeguatamente protetti o controllati.
6. **L'albero dei tamponi di rinforzo o di qualsiasi altro accessorio deve avere le dimensioni adatte al mandrino dell'utensile elettrico.** Gli accessori con fori dell'albero inadatti all'attrezzatura di montaggio dell'utensile elettrico girano sbilanciati, vibrano eccessivamente e possono causare una perdita di controllo.
7. **Non si deve usare un accessorio danneggiato.** Prima di ogni utilizzo, controllare se l'accessorio, come un tampone di rinforzo, presenta crepe. Se l'utensile elettrico o l'accessorio sono caduti, controllare se sono danneggiati o installare un accessorio non danneggiato. Dopo l'ispezione e l'installazione di un accessorio, posizionarsi e tenere gli astanti lontani dal piano dell'accessorio rotante e far girare l'utensile elettrico al massimo senza carico per un minuto. Gli accessori danneggiati si rompono generalmente durante questo periodo di prova.
8. **Indossare l'equipaggiamento personale di protezione. A seconda del lavoro, usare una visiera, occhiali di protezione o occhiali di sicurezza.** Secondo il caso, mettersi la mascherina antipolvere, le protezioni per gli orecchi, i guanti e un grembiule da lavoro in grado di fermare i piccoli abrasivi frammenti del pezzo. Gli occhiali di protezione devono poter fermare i frammenti volanti prodotti dalle varie operazioni. La mascherina antipolvere o respiratore devono essere capaci di filtrare le particelle generate dal lavoro. L'esposizione prolungata al rumore di alta intensità potrebbe causare la perdita dell'udito.

9. **Tenere gli astanti a una distanza di sicurezza dall'area di lavoro.** Chiunque entri nell'area di lavoro deve indossare l'equipaggiamento personale di protezione. I frammenti del pezzo o di un accessorio che si rompe potrebbero volare via causando incidenti fuori dall'area immediata del lavoro.
10. **Posizionare il cavo di alimentazione dell'utensile discosto dall'accessorio che gira.** Se si perde il controllo dell'utensile, il cavo potrebbe essere tagliato o rimanere impigliato, e la mano o il braccio potrebbero essere attirati nell'accessorio che gira.
11. **Non si deve mai posare l'utensile elettrico finché l'accessorio non si è fermato completamente.** L'accessorio che gira potrebbe fare presa sulla superficie causando la perdita di controllo dell'utensile elettrico.
12. **Non si deve far funzionare l'utensile elettrico mentre lo si trasporta sul proprio fianco.** Il contatto accidentale con l'accessorio che gira potrebbe fare presa sul vestito spingendo l'accessorio nel corpo.
13. **Pulire regolarmente le aperture di ventilazione dell'utensile elettrico.** La ventola del motore attira la polvere all'interno dell'alloggiamento, e l'accumulazione eccessiva della polvere di metallo potrebbe causare pericoli elettrici.
14. **Non si deve far funzionare l'utensile elettrico vicino a materiali infiammabili, perché le scintille potrebbero incendiarli.**
15. **Non si devono usare accessori che richiedono refrigeranti liquidi.** L'impiego di acqua o di altri refrigeranti liquidi potrebbe causare elettrocuzione o scosse elettriche.

Contraccolpi e relativi avvertimenti

Il contraccollo è una improvvisa reazione a un disco rotante incastrato od ostacolato, tampone di rinforzo, spazzola o un qualsiasi altro accessorio. L'incastramento o l'ostacolazione causano il rapido stallo dell'accessorio rotante, che a sua volta causa la spinta dell'utensile elettrico senza controllo nella direzione opposta della rotazione dell'accessorio sul punto dell'inceppamento. Il contraccollo è il risultato dell'uso sbagliato dell'utensile elettrico e/o delle procedure o condizioni sbagliate di funzionamento, e può essere evitato prendendo le precauzioni appropriate come indicato di seguito.

- a) **Tenere saldamente l'utensile elettrico e posizionare il corpo e le braccia in modo da poter resistere alla forza del contraccollo.** Per il massimo controllo del contraccollo o della reazione alla coppia di avviamento, usare sempre il manico ausiliario, se fornito. Prendendo le precauzioni appropriate, l'operatore può controllare la reazione alla coppia di avviamento e la forza del contraccollo.
- b) **Non si devono mai mettere le mani vicino all'accessorio rotante.** Si potrebbe verificare un contraccollo dell'accessorio sulle mani.
- c) **Non si deve posizionare il corpo nell'area di spostamento dell'utensile elettrico se si verifica un contraccollo.** Il contraccollo spinge l'utensile nella direzione opposta al movimento del disco sul punto dell'inceppamento.
- d) **Fare particolarmente attenzione lavorando gli angoli, i bordi affilati, ecc. Evitare di far rimbalzare o di ostacolare l'accessorio.** Gli angoli, i bordi affilati o i rimbalzi tendono a inceppare l'accessorio rotante causando una perdita di controllo o un contraccollo.

- e) **Non si devono attaccare una lama di intaglio del legno per sega a catena o una lama dentata.** Tali lame causano frequenti contraccolpi e perdite di controllo.

Avvertimenti specifici per la sicurezza per le operazioni di lucidatura:

- a) **Evitare che una qualsiasi parte della cuffia di lucidatura o i suoi lacci accessori girino a vuoto. Riporre o ridurre qualsiasi laccio accessorio allentato.** I lacci accessori allentati e che girano possono impigliarsi sulle dita o incepparsi sul pezzo.

Avvertimenti per la sicurezza supplementari:

16. **Non lasciare solo l'utensile mentre funziona.** Farlo funzionare soltanto tenendolo in mano.
17. **Accertarsi sempre che l'utensile sia spento e staccato dalla presa di corrente, o che la batteria sia stata rimossa, prima di qualsiasi intervento su di esso.**
18. **Accertarsi che il pezzo sia supportato in modo appropriato.**
19. **Se il posto di lavoro è estremamente caldo e umido, oppure molto contaminato da polveri conduttive, usare un interruttore di corto circuito (30 mA) per garantire la sicurezza dell'operatore.**
20. **L'utensile non deve essere usato su materiali contenenti amianto.**
21. **Non si devono usare acqua o lubrificanti per smerigliatura.**
22. **Lavorando dove c'è polvere, accertarsi che le aperture di ventilazione non siano ostruite. Se è necessario togliere la polvere, staccare prima l'utensile dalla presa di corrente (usare oggetti che non siano di metallo) ed evitare di danneggiare le parti interne.**

CONSERVATE QUESTE ISTRUZIONI.

AVVERTIMENTO:

NON lasciare che comodità o la familiarità d'utilizzo con il prodotto (acquisita con l'uso ripetuto) sostituisca la stretta osservanza delle norme di sicurezza. L'utilizzo SBAGLIATO o la mancata osservanza delle norme di sicurezza di questo manuale di istruzioni potrebbero causare lesioni serie.

DESCRIZIONE FUNZIONALE

ATTENZIONE:

- Accertarsi sempre che l'utensile sia spento e staccato dalla presa di corrente prima di regolarlo o di controllare il suo funzionamento.

Azionamento dell'interruttore (Fig. 1)

ATTENZIONE:

- Prima di collegare l'utensile alla presa di corrente, accertatevi sempre che l'interruttore funzioni normalmente e che torni sulla posizione "OFF" quando viene rilasciato.

Per avviare l'utensile, schiacciare semplicemente l'interruttore a grilletto. Rilasciare l'interruttore a grilletto per arrestare l'utensile.

Per il funzionamento continuo, schiacciare l'interruttore a grilletto e spingere dentro il bottone di bloccaggio.

Per arrestare l'utensile dalla posizione di bloccaggio, schiacciare completamente l'interruttore e rilasciarlo.

Ghiera di regolazione velocità (Fig. 2)

La velocità dell'utensile può essere cambiata girando la ghiera di regolazione della velocità su un dato numero di regolazione da 1 a 5.

Le velocità più alte si ottengono girando la leva nella direzione del numero 5. Le velocità più basse si ottengono girando la leva nella direzione del numero 1.

Per il rapporto tra i numeri delle regolazioni della ghiera e la velocità approssimativa dell'utensile, riferirsi alla tabella sotto.

Numero	min ⁻¹ (GIRI)
1 – 2	600 – 800
2 – 3	800 – 1.300
3 – 4	1.300 – 1.800
4 – 5	1.800 – 2.000

ATTENZIONE:

- Se l'utensile viene usato continuamente alle basse velocità, il motore si sovraccarica causando il malfunzionamento dell'utensile.
- La ghiera di regolazione della velocità può essere girata soltanto fino a 5 e indietro fino a 1. Non forzarla oltre il 5 o l'1, perché altrimenti la regolazione della velocità potrebbe diventare impossibile.

Gli utensili dotati di funzioni elettroniche sono facili da usare per le caratteristiche seguenti:

• Controllo elettronico costante della velocità

Si possono ottenere delle rifiniture fini perché la velocità di rotazione viene mantenuta costante anche in condizione di carico.

• Caratteristica di avvio dolce

L'avvio è dolce perché la scossa di avvio viene soppressa.

Botone di regolazione velocità alta-bassa (Fig. 3)

La velocità dell'utensile può essere cambiata istantaneamente mentre l'utensile gira. Schiacciare la posizione "I" per la velocità più bassa, e la posizione "II" per la regolazione di un certo numero. La velocità dell'utensile non può essere cambiata quando il bottone si trova sulla posizione "I", anche se si gira la ghiera di regolazione velocità. Quando si gira la ghiera di regolazione velocità, accertarsi sempre che il bottone sia schiacciato sulla posizione "II".

MONTAGGIO

ATTENZIONE:

- Accertarsi sempre che l'utensile sia spento e staccato dalla presa di corrente prima di un qualsiasi intervento su di esso.

Installazione dell'impugnatura laterale (manico ausiliario) e del coperchio (Fig. 4 e 5)

ATTENZIONE:

- Accertarsi sempre che l'impugnatura laterale sia installata saldamente prima di cominciare un lavoro.

Installare il coperchio e avvitare poi saldamente l'impugnatura laterale sull'utensile. L'impugnatura laterale e il coperchio possono essere installati su entrambi i fianchi dell'utensile.

Installazione o rimozione del tampone di rinforzo (Fig. 6)

Bloccare il mandrino con la chiave in modo che non possa girare. Avvitare poi completamente il tampone sul mandrino. (Il tampone può essere usato per installare il tampone di spugna opzionale.)

Per rimuovere il tampone, seguire il procedimento opposto di installazione.

Installazione o rimozione del tampone di spugna (Fig. 7)

Per installare il tampone di spugna, togliere prima tutto lo sporco e le sostanze estranee dal tampone. Installare il tampone di spugna sul tampone.

Per rimuovere il tampone, toglierlo lentamente dal tampone.

Installazione o rimozione della cuffia di lana (Fig. 8, 9 e 10)

Montare il tampone di gomma sul mandrino. Avvitare il controdamo sul mandrino.

Per stringere il controdamo, tenere fermo il mandrino con la chiave in modo che non possa girare e usare poi la chiave per controdamo per stringerlo saldamente in senso orario.

Montare la cuffia di lana completamente sopra il tampone di gomma, e tirare stretto il laccio. Annodare e infilare i lacci sporgenti tra la cuffia di lana e il tampone di gomma.

Per togliere la cuffia di lana, seguire il procedimento opposto di installazione.

FUNZIONAMENTO

Operazione di lucidatura con il tampone di spugna (Fig. 11)

ATTENZIONE:

- Indossare sempre gli occhiali e la maschera di protezione durante il lavoro.

Mantenere generalmente il tampone di spugna a un angolo di circa 15 gradi rispetto alla superficie del pezzo.

Operazione di lucidatura con la cuffia di lana (Fig. 12)

ATTENZIONE:

- Indossare sempre gli occhiali e la maschera di protezione durante il lavoro.

Tenere saldamente l'utensile. Accendere l'utensile e applicare poi la cuffia di lana sul pezzo.

Mantenere generalmente la cuffia di lana a un angolo di circa 15 gradi rispetto alla superficie del pezzo.

Applicare soltanto una leggera pressione. Una pressione eccessiva causa prestazioni scarse e l'usura prematura della cuffia di lana.

MANUTENZIONE

ATTENZIONE:

Accertarsi sempre che l'utensile sia spento e staccato dalla presa di corrente prima di eseguire l'ispezione o la manutenzione.

Sostituzione delle spazzole di carbone

(Fig. 13 e 14)

Rimuovere e controllare regolarmente le spazzole di carbone. Sostituirle quando sono usurate fino al segno del limite. Mantenere le spazzole di carbone pulite e libere di slittare nei portaspazzole. Entrambe le spazzole di carbone devono essere sostituite allo stesso tempo. Usare soltanto spazzole di carbone identiche.

Usare un cacciavite per rimuovere i tappi dei portaspazzole. Estrarre le spazzole di carbone usurate, inserire le nuove spazzole e fissare i tappi dei portaspazzole.

Per mantenere la SICUREZZA e l'AFFIDABILITÀ dell'utensile, le riparazioni e qualsiasi altra manutenzione o regolazione devono essere eseguite da un centro di assistenza Makita autorizzato usando sempre ricambi Makita.

ACCESSORI

ATTENZIONE:

• Per l'utensile specificato in questo manuale, si consigliano questi accessori o ricambi. L'utilizzo di altri accessori o ricambi può costituire un pericolo. Usare soltanto gli accessori o ricambi specificati per il loro utilizzo.

Per maggiori dettagli e l'assistenza, rivolgersi al Centro Assistenza Makita locale.

- Tampone di spugna (Gancio e anello)
- Tampone di rinforzo 165 (Gancio e anello)
- Cuffia di lana 180
- Chiave 17
- Impugnatura laterale

ENG102-3

Rumore

Il tipico livello di rumore pesato A determinato secondo EN60745:

Livello pressione sonora (L_{pA}): 81 dB (A)

Livello potenza sonora (L_{WA}): 92 dB (A)

Incertezza (K): 3 dB (A)

Indossare i paraorecchi.

ENG240-1

Vibrazione

Il valore totale di vibrazione (somma vettore triassiale) determinato secondo EN60745:

Modalità operativa: lucidatrice

Emissione di vibrazione ($a_{h,p}$): 2,5 m/s² o meno

Incertezza (K): 1,5 m/s²

Se l'utensile viene usato per altre applicazioni, i valori di vibrazione potrebbero essere diversi.

ENG901-1

- Il valore di emissione delle vibrazioni dichiarato è stato misurato conformemente al metodo di test standard, e può essere usato per paragonare un utensile con un altro.
- Il valore di emissione delle vibrazioni dichiarato può anche essere usato per una valutazione preliminare dell'esposizione.

AVVERTIMENTO:

- L'emissione delle vibrazioni durante l'uso reale dell'utensile elettrico può differire dal valore di emissione dichiarato a seconda dei modi in cui viene usato l'utensile.
- Identificare le misure di sicurezza per la protezione dell'operatore basate sulla stima dell'esposizione nelle condizioni reali d'utilizzo (tenendo presente tutte le parti del ciclo operativo, come le volte in cui l'utensile viene spento e quando gira a vuoto, oltre al tempo di funzionamento).

ENH101-13

Modello per l'Europa soltanto

Dichiarazione CE di conformità

Noi della Makita Corporation, come produttori responsabili, dichiariamo che le macchine Makita seguenti:

Designazione della macchina:

Lucidatrice elettronica

Modello No./Tipo: PV7000C

sono una produzione di serie e

conformi alle direttive europee seguenti:

98/37/CE fino al 28 dicembre 2009 e poi 2006/42/CE dal 29 dicembre 2009

E sono fabbricate conformemente ai seguenti standard o documenti standardizzati:

EN60745

La documentazione tecnica è tenuta dal nostro rappresentante autorizzato in Europa, che è:

Makita International Europe Ltd.

Michigan Drive, Tongwell,

Milton Keynes, MK15 8JD, England

30 gennaio 2009



Tomoyasu Kato
Amministratore


Makita Corporation
3-11-8, Sumiyoshi-cho,
Anjo, Aichi, JAPAN

Verklaring van algemene gegevens

1 Trekschakelaar	7 Rugschijf	14 Rubberen steunschijf
2 Vastzetknop	8 As	15 Nokkensleutel
3 Snelheidsregelknop	9 Steeksleutel	16 Limietmarkering
4 Instelknop voor hoog/laag toerental	10 Schuimrubberschijf	17 Koalborsteldop
5 Deksel	11 Steunschijf	18 Schroevendraaier
6 Zijhandgreep	12 Wollen kap	
	13 Sluitmoer	

TECHNISCHE GEGEVENS

Model PV7000C

Max. capaciteit
 Schuimrubberschijf/Wollen kap 180 mm
 Aanschroefdraad M14
 Nominaal toerental (n) /
 Onbelast toerental (n₀) 600 – 2 000 min⁻¹
 Totale lengte 210 mm
 Netto gewicht 2,1 kg
 Veiligheidsklasse  /II

- In verband met ononderbroken research en ontwikkeling behouden wij ons het recht voor bovenstaande technische gegevens te wijzigen zonder voorafgaande kennisgeving.
- De technische gegevens kunnen van land tot land verschillen.
- Gewicht volgens de EPTA-procedure 01/2003

Doeleinden van gebruik


Het gereedschap is bedoeld voor polijsten, gladschuren voor het schilderen, afwerken van oppervlakken, en verwijderen van roest en verf.

Stroomvoorziening

De machine mag alleen worden aangesloten op een stroombron van hetzelfde voltage als aangegeven op de naamplaat, en kan alleen op enkel-fase wisselstroom worden gebruikt. De machine is dubbel-geïsoleerd volgens de Europese standaard en kan derhalve ook op een niet-geaard stopcontact worden aangesloten.

GEA010-1

Algemene veiligheidswaarschuwingen voor elektrisch gereedschap

 **WAARSCHUWING!** Lees alle veiligheidsaanschuwingen en alle instructies. Het niet volgen van de waarschuwingen en instructies kan leiden tot elektrische schokken, brand en/of ernstig letsel.

Bewaar alle waarschuwingen en instructies om in de toekomst te kunnen raadplegen.

GEB038-2

VEILIGHEIDSWAARSCHUWINGEN SPECIEK VOOR EEN POLIJSTMACHINE

Gemeenschappelijke veiligheidsaanschuwingen voor polijstwerkzaamheden:

1. Dit elektrisch gereedschap is bedoeld voor gebruik als een polijstmachine. Lees alle veiligheidsaanschuwingen, instructies, afbeeldingen en technische gegevens die bij dit elektrisch gereedschap worden geleverd. Als u nalaat alle onderstaande instructies te volgen, kan dit leiden tot een elektrische schok, brand en/of ernstig letsel.

2. Wij adviseren u werkzaamheden zoals slijpen, schuren, draadborstelen of doorslijpen niet uit te voeren met dit elektrisch gereedschap. Werkzaamheden waarvoor dit elektrisch gereedschap niet is bedoeld kunnen gevaarlijke situaties opleveren en tot persoonlijk letsel leiden.
3. **Gebruik geen accessoires die niet specifiek zijn ontworpen en aanbevolen door de fabrikant van het gereedschap.** Ook wanneer het accessoire kan worden bevestigd op uw elektrisch gereedschap, is een veilige werking niet gegarandeerd.
4. **Het nominaal toerental van het accessoire moet minstens gelijk zijn aan het maximumtoerental vermeld op het elektrisch gereedschap.** Accessoires die met een hoger toerental draaien dan hun nominaal toerental kunnen stuk breken en in het rond vliegen.
5. **De buitendiameter en de dikte van het accessoire moet binnen het capaciteitsbereik van het elektrisch gereedschap vallen.** Accessoires met verkeerde afmetingen kunnen niet afdoende worden afgeschermd of beheerst.
6. **De asdiameter van rugschijven en andere accessoires moeten goed passen rond de as van het elektrisch gereedschap.** Accessoires met een asdiameter die niet overeenkomt met de standaardhardware voor het elektrisch gereedschap zullen niet in balans draaien, buitensporig trillen en kunnen tot verlies van controle over het gereedschap leiden.
7. **Gebruik nooit een beschadigd accessoire. Vóór ieder gebruik moeten accessoires, zoals rugschijven, worden geïnspecteerd op barsten.** Nadat het elektrisch gereedschap of accessoire is gevallen, inspecteert u het op schade of monteert u een onbeschadigd accessoire. Na inspectie en montage van een accessoire, zorgt u ervoor dat u en omstanders niet in het rotatie vlak van het accessoire staan, en laat u het elektrisch gereedschap draaien op het maximaal, onbelast toerental gedurende één minuut. Beschadigde accessoires breken normaal gesproken in stukken gedurende deze testduur.

8. **Gebruik persoonlijke-veiligheidsmiddelen.** Afhanke-lijk van de toepassing gebruikt u een gezichts-
scherm, een beschermende bril of een
veiligheidsbril. Al naar gelang van toepassing
draagt u een stofmasker, gehoorbeschermers,
handschoenen en een werkschort die in staat zijn
kleine stukjes slijpsel of werkstukfragmenten te
weerstaan. De oogbescherming moet in staat zijn
rondvliegend afval te stoppen dat ontstaat bij de
diverse werkzaamheden. Het stofmasker of ademhal-
ingsapparaat moet in stat zijn deeltjes te filteren die
ontstaat bij de werkzaamheden. Langdurige blootstel-
ling aan zeer intens geluid kan leiden tot gehoorbe-
schadiging.
9. **Houd omstanders op veilige afstand van het
werkgebied.** Iedereen die zich binnen het werk-
gebied begeeft, moet persoonlijke-veiligheids-
middelen gebruiken. Fragmenten van het werkstuk
of van een uiteengevallen accessoire kunnen rond-
vliegen en letsel veroorzaken buiten de onmiddellijk
werkomgeving.
10. **Houd het snoer goed uit de buurt van het rond-
draaiende accessoire.** Als u de controle verliest
over het gereedschap, kan het snoer worden door-
gesneden of bekneld raken, en kan uw hand of arm
tegen het ronddraaiende accessoire worden aange-
trokken.
11. **Leg het elektrisch gereedschap nooit neer voor-
dat het accessoire volledig tot stilstand is geko-
men.** Het ronddraaiende accessoire kan de
ondergrond pakken zodat u de controle over het
elektrisch gereedschap verliest.
12. **Laat het elektrisch gereedschap niet draaien ter-
wijl u het naast u draagt.** Als het ronddraaiende
accessoire u per ongeluk raakt, kan het verstrikt
raken in uw kleding waardoor het accessoire in uw
lichaam wordt getrokken.
13. **Maak de ventilatieopeningen van het gereed-
schap regelmatig schoon.** De ventilator van de
motor zal het stof de behuizing in trekken, wat kan
leiden tot elektrisch gevaarlijke situaties.
14. **Gebruik het elektrisch gereedschap niet in de
buurt van brandbare materialen.** Vonken kunnen
deze materialen doen ontvlammen.
15. **Gebruik geen accessoires die met vloeistof moe-
ten worden gekoeld.** Het gebruik van water of
andere vloeibare koelmiddelen kan leiden tot elek-
troutie of elektrische schokken.

Terugslag en aanverwante waarschuwingen

Terugslag is een plotselinge reactie op een beknelde of vastgelopen draaiende schijf, rugschijf, borstel of enig ander accessoire. Beknellen of vastlopen veroorzaakt een snelle stilstand van het draaiende accessoire dat op zijn beurt ertoe leidt dat het elektrisch gereedschap zich ongecontroleerd beweegt in de tegenovergestelde richting van de draairichting van het accessoire op het moment van vastlopen.

Terugslag is het gevolg van misgebruik van het elektrisch gereedschap en/of onjuiste gebruiksprocedures of -omstandigheden, en kan worden voorkomen door goede voorzorgsmaatregelen te treffen, zoals hieronder vermeld:

- a) **Houd het gereedschap stevig vast en houd uw armen en lichaam zodanig dat u in staat bent een terugslag op te vangen.** Gebruik altijd de extra handgreep (indien aanwezig) voor een maximale controle over het gereedschap in geval van terugslag en de koppelreactiekrachten bij het starten. De gebruiker kan een terugslag of de koppelreactiekrachten opvangen indien de juiste voorzorgsmaatregelen worden getroffen.
- b) **Plaats uw hand nooit in de buurt van het draaiende accessoire.** Het accessoire kan terugslaan over uw hand.
- c) **Plaats uw lichaam niet in het gebied waar het elektrisch gereedschap naar toe gaat wanneer een terugslag optreedt.** Een terugslag zal het gereedschap bewegen in de tegenovergestelde richting van de draairichting van de schijf op het moment van beknellen.
- d) **Wees bijzonder voorzichtig bij het werken met hoeken, scherpe randen, enz. Voorkom dat het accessoire springt of bekneld raakt.** Hoeken, scherpe randen of springen veroorzaken vaak beknellen van het draaiende accessoire wat leidt tot terugslag of verlies van controle over het gereedschap.
- e) **Bevestig geen houtbewerkingsblad van een zaagketting of getand zaagblad.** Dergelijke bladen leiden vaak tot terugslag of verlies van controle over het gereedschap.

Veiligheidswaarschuwingen specifiek voor polijst- werkzaamheden:

- a) **Laat geen los deel van de polijstkap of het bevestigingsstouwtje ervan vrij rondslingeren. Stop een los bevestigingsstouwtje weg of knip het af.** Een los en rondslingerend bevestigingsstouwtje kan zich rond uw vingers wikkelen of gegrepen worden door het werkstuk.

Aanvullende veiligheidswaarschuwingen:

16. **Laat het gereedschap niet ingeschakeld liggen. Bedien het gereedschap alleen wanneer u het vasthoudt.**
17. **Controleer altijd of het gereedschap is uitgeschakeld en de stekker uit het stopcontact is getrokken of de accu is verwijderd alvorens enige werkzaamheden aan het gereedschap te verrichten.**
18. **Controleer dat het werkstuk goed wordt ondersteund.**
19. **Als de werkruimte bijzonder heet en vochtig is, of sterk vervuild is met geleidend stof, gebruik dan een kortsluitonderbreker (30 mA) om de veiligheid van de gebruiker te garanderen.**
20. **Gebruik het gereedschap niet op materiaal dat asbest bevat.**
21. **Gebruik geen water of slijpsmeermiddel.**
22. **Zorg ervoor dat de ventilatie-openingen niet verstopt raken bij gebruik in een stoffige omgeving. Als het noodzakelijk is het stof te verwijderen, moet u het gereedschap eerst loskoppelen van de netvoeding (gebruik hiervoor niet-metalen voorwerpen) en wees voorzichtig geen inwendige onderdelen te beschadigen.**

BEWAAR DEZE VOORSCHRIFTEN.

WAARSCHUWING:

Laat u NIET misleiden door een vals gevoel van comfort en bekendheid met het gereedschap (na veelvuldig gebruik) en neem alle veiligheidsvoorschriften van het betreffende gereedschap altijd strikt in acht. VERKEERD GEBRUIK of het niet naleven van de veiligheidsvoorschriften in deze gebruiksaanwijzing kan leiden tot ernstige verwondingen.

BESCHRIJVING VAN DE FUNCTIES

LET OP:

- Zorg altijd dat het gereedschap is uitgeschakeld en de stekker uit het stopcontact is verwijderd alvorens functies op het gereedschap af te stellen of te controleren.

Werking van de trekschakelaar (Fig. 1)

LET OP:

- Alvorens de machine op netstroom aan te sluiten, dient u altijd te controleren of de trekschakelaar juist werkt en bij het loslaten naar de "OFF" positie terugkeert.

Om de machine te starten, drukt u gewoon de trekschakelaar in. Om de machine uit te schakelen, de trekschakelaar loslaten.

Voor continue werking, drukt u de trekschakelaar in en dan drukt u de vastzetknop in.

Om de machine vanuit deze vergrendelde stand te stoppen, de trekschakelaar volledig indrukken en deze dan loslaten.

Toerentalregelknop (Fig. 2)

U kunt de draaisnelheid veranderen door de toerentalregelknop te draaien en in te stellen op een cijfer van 1 tot 5.

De snelheid verhoogt wanneer u de draaiknop in de richting van het cijfer 5 draait. De snelheid verlaagt wanneer u deze in de richting van het cijfer 1 draait.

Zie de onderstaande tabel voor de verhouding tussen de cijfers op de draaiknop en de approximatieve draaisnelheid.

Cijfer	min ⁻¹ (RPM)
1 – 2	600 – 800
2 – 3	800 – 1 300
3 – 4	1 300 – 1 800
4 – 5	1 800 – 2 000

LET OP:

- Als het gereedschap continu op lage snelheid wordt gebruikt, zal de motor overbelast raken, waardoor een storing kan optreden.
- De toerentalregelknop kan niet verder dan 5 en niet verder terug dan 1 worden gedraaid. Forceer de draaiknop niet voorbij 5 of 1, aangezien de toerentalregeling dan niet meer juist zal werken.

Gereedschappen die voorzien zijn van een elektronische functie zijn gemakkelijk te bedienen dank zij de volgende kenmerken.

• Elektronisch geregeld constant toerental

Maakt een onberispelijke afwerking mogelijk omdat het toerental constant wordt gehouden, zelfs bij belasting.

• Zachte start

De aanloopshock wordt onderdrukt zodat u veilig kunt werken en zacht kunt starten.

Instelknop voor hoog/laag toerental (Fig. 3)

Het toerental van het gereedschap kan onmiddellijk worden veranderd terwijl het gereedschap draait. Druk de "I" zijde in om het laagste toerental te krijgen, en druk de "II" zijde in om een van de genummerde snelheden te kiezen. Wanneer de "I" zijde van de knop is ingedrukt, kan het toerental niet worden veranderd, zelfs niet wanneer u de toerentalregelknop draait. Als u het toerental met de toerentalregelknop wilt veranderen, moet u eerst de "II" zijde van de knop indrukken.

INEENZETTEN

LET OP:

Controleer altijd of het gereedschap is uitgeschakeld en de stekker uit het stopcontact is verwijderd voordat u enig werk aan het gereedschap uitvoert.

Installeren van de zijhandgreep (hulphandgreep) en het deksel (Fig. 4 en 5)

LET OP:

- Controleer altijd voor gebruik dat de zijhandgreep stevig vastzit.

Installeer het deksel en schroef vervolgens de zijhandgreep stevig vast op het gereedschap. De zijhandgreep en het deksel kunnen aan een van beide zijden van het gereedschap worden bevestigd.

Installeren of verwijderen van de rugschijf (Fig. 6)

Houd de as met een sleutel op zijn plaats zodat deze niet kan draaien. Schroef daarna de steunschijf vast op de as. (De steunschijf kan worden gebruikt om de los verkrijgbare schuimrubberschijf te installeren.)

Voer de installatieprocedure in de omgekeerde volgorde uit om de steunschijf te verwijderen.

Installeren of verwijderen van de schuimrubberschijf (Fig. 7)

Verwijder alle vuil of verontreinigingen van de steunschijf alvorens de schuimrubberschijf te installeren. Installeer daarna de schuimrubberschijf op de steunschijf.

Om de schuimrubberschijf te verwijderen, trekt u deze langzaam van de steunschijf af.

Installeren of verwijderen van de wollen kap (Fig. 8, 9 en 10)

Monteer de rubberen steunschijf op de as. Schroef de borgmoer op de as.

Om de sluitmoer vast te draaien, houdt u met behulp van de steeksleutel de as vast zodat deze niet kan draaien, en gebruikt u vervolgens de nokkensleutel om de sluitmoer stevig rechtsom vast te draaien.

Leg de wollen kap helemaal over de rubberen steunschijf en trek het touwtje strak. Maak een strikknop en stop de knoop en eventuele losse touwtjes weg tussen de wollen kap en de rubberen steunschijf.

Voer de installatieprocedure in de omgekeerde volgorde uit om de wollen kap te verwijderen.

BEDIENING

Polijs ten met een schuimrubberschijf (Fig. 11)

LET OP:

- Draag tijdens het werk altijd een veiligheidsbril of een gezichtsbescherming.

In het algemeen geldt: houd de rand van de schuimrubberschijf onder een hoek van ongeveer 15 graden op het oppervlak van het werkstuk.

Polijs ten met een wollen kap (Fig. 12)

LET OP:

- Draag tijdens het werk altijd een veiligheidsbril of een gezichtsbescherming.

Houd het gereedschap stevig vast. Schakel het gereedschap in en breng daarna de wollen kap in aanraking met het werkstuk.

In het algemeen geldt: houd de rand van de wollen kap onder een hoek van ongeveer 15 graden op het oppervlak van het werkstuk.

Oefen slechts lichte druk uit. Een te hoge druk zal leiden tot slechte prestaties en voortijdige slijtage van de wollen kap.

ONDERHOUD

LET OP:

- Zorg altijd dat het gereedschap is uitgeschakeld en de stekker uit het stopcontact is verwijderd alvorens inspectie of onderhoud aan het gereedschap uit te voeren.

Vervangen van de koolborstels (Fig. 13 en 14)

Verwijder en controleer regelmatig de koolborstels. Vervang de koolborstels wanneer ze tot aan de limietmarkering versleten zijn. Houd de koolborstels schoon zodat ze goed in de houders glijden. Beide koolborstels dienen tegelijkertijd te worden vervangen. Gebruik uitsluitend identieke koolborstels.

Gebruik een schroevendraaier om de doppen van de koolborstelhouders te verwijderen. Haal de versleten borstels eruit, steek de nieuwe erin, en zet de doppen weer goed vast.

Om de VEILIGHEID en BETROUWBAARHEID van het gereedschap te handhaven, dienen alle reparaties, onderhoud of afstellingen te worden uitgevoerd door een erkend Makita servicecentrum, en dit uitsluitend met gebruikmaking van originele Makita vervangingsonderdelen.

ACCESSOIRES

LET OP:

- Deze accessoires of hulpstukken worden aanbevolen voor gebruik met het Makita gereedschap dat in deze gebruiksaanwijzing wordt beschreven. Het gebruik van andere accessoires of hulpstukken kan gevaar voor persoonlijke verwonding opleveren. Gebruik de accessoires of hulpstukken uitsluitend voor het gespecificeerde doel.

Wenst u meer informatie over deze accessoires, neem dan contact op met het dichtstbijzijnde Makita servicecentrum.

- Schuimrubberschijf (klittenband-type)
- Rugschijf 165 (klittenband-type)
- Wollen kap 180
- Steeksleutel 17
- Zijhandgreep (hulphandgreep)

ENG102-3

Geluidsniveau

De typisch, A-gewogen geluidsniveaus vastgesteld volgens EN60745:

- Geluidsdruk niveau (L_{pA}): 81 dB (A)
- Geluidsenergie-niveau (L_{WA}): 92 dB (A)
- Onnauwkeurigheid (K): 3 dB (A)

Draag oorbeschermers.

ENG240-1

Trilling

De totaalwaarde van de trillingen (triaxiale vectorsom) vastgesteld volgens EN60745:

- Toepassing: polijs ten
- Trillingsemissie ($a_{h,P}$): 2,5 m/s² of lager
- Onnauwkeurigheid (K): 1,5 m/s²

Als het gereedschap voor andere toepassingen wordt gebruikt, kunnen de trillingswaarden anders zijn.

ENG901-1

- De opgegeven trillingsemissiewaarde is gemeten volgens de standaardtestmethode en kan worden gebruikt om dit gereedschap te vergelijken met andere gereedschappen.
- De opgegeven trillingsemissiewaarde kan ook worden gebruikt voor een beoordeling vooraf van de blootstelling.

WAARSCHUWING:

- De trillingsemissie tijdens het gebruik van het elektrisch gereedschap in de praktijk kan verschillen van de opgegeven trillingsemissiewaarde afhankelijk van de manier waarop het gereedschap wordt gebruikt.
- Zorg ervoor dat veiligheidsmaatregelen worden getroffen ter bescherming van de operator die zijn gebaseerd op een schatting van de blootstelling onder praktijkomstandigheden (rekening houdend met alle fasen van de bedrijfs cyclus, zoals de tijdsduur gedurende welke het gereedschap is uitgeschakeld en stationair draait, naast de ingeschakelde tijdsduur).

Alleen voor Europese landen

EU-Verklaring van Conformiteit

Wij, Makita Corporation, als de verantwoordelijke fabrikant, verklaren dat de volgende Makita-machine(s):

Aanduiding van de machine:

Elektronische polijstmachine

Modelnr./Type: PV7000C

in serie zijn geproduceerd en

Voldoen aan de volgende Europese richtlijnen:

98/37/EC tot en met 28 december 2009 en daarna

aan 2006/42/EC vanaf 29 december 2009

En zijn gefabriceerd in overeenstemming met de volgende normen of genormaliseerde documenten:

EN60745

De technische documentatie wordt bewaard door onze erkende vertegenwoordiger in Europa, te weten:

Makita International Europe Ltd.

Michigan Drive, Tongwell,

Milton Keynes, MK15 8JD, Engeland

30 januari 2009



Tomoyasu Kato
Directeur

Makita Corporation
3-11-8, Sumiyoshi-cho,
Anjo, Aichi, JAPAN

Explicación de los dibujos

1	Gatillo interruptor	7	Almohadilla de apoyo	14	Plato de goma
2	Botón de bloqueo	8	Husillo	15	Llave de pilotes
3	Anillo de ajuste de velocidad	9	Llave de tuercas	16	Marca de límite
4	Botón de selección de velocidad alta-baja	10	Boina de esponja	17	Tapón de escobilla
5	Cubierta	11	Plato del disco	18	Destornillador
6	Empuñadura lateral	12	Caperuza de lana		
		13	Tuerca		

ESPECIFICACIONES

Modelo	PV7000C
Capacidades máximas	
Boina de esponja/Caperuza de lana	180 mm
Rosca del mandril.....	M14
Velocidad especificada (n) /	
Velocidad en vacío (n ₀).....	600 – 2.000 min ⁻¹
Longitud total	210 mm
Peso neto.....	2,1 kg
Clase de seguridad	□ /II

- Debido a un programa continuo de investigación y desarrollo, las especificaciones aquí dadas están sujetas a cambios sin previo aviso.
- Las especificaciones pueden ser diferentes de país a país.
- Peso de acuerdo con el procedimiento EPTA 01/2003

Uso previsto

La herramienta ha sido prevista para pulir, alisar antes de pintar, acabar superficies, y quitar óxido y pintura.

Alimentación

La herramienta ha de conectarse solamente a una fuente de alimentación de la misma tensión que la indicada en la placa de características, y sólo puede funcionar con corriente alterna monofásica. El sistema de doble aislamiento de la herramienta cumple con la norma europea y puede, por lo tanto, usarse también en enchufes hembra sin conductor de tierra.

GEA010-1

Advertencias de seguridad generales para herramientas eléctricas

⚠ ¡ADVERTENCIA! Lea todas las advertencias de seguridad y todas las instrucciones. Si no sigue todas las advertencias e instrucciones podrá ocasionar una descarga eléctrica, un incendio y/o heridas graves.

Guarde todas las advertencias e instrucciones para futuras referencias.

GEB038-2

ADVERTENCIAS DE SEGURIDAD PARA LA PULIDORA

Advertencias de seguridad comunes para la operación de pulido:

1. Esta herramienta eléctrica ha sido prevista para funcionar como pulidora. Lea todas las advertencias de seguridad, instrucciones, ilustraciones y especificaciones provistas con esta herramienta eléctrica. Si no sigue todas las instrucciones indicadas a continuación, podrá ocasionar una descarga eléctrica, un incendio y/o heridas graves.

2. **Se recomienda no realizar operaciones tales como de herramienta de amolar, lijar, cepillar con grata de alambres o cortar con esta herramienta eléctrica.** La realización de operaciones para las que esta herramienta eléctrica no ha sido diseñada podrá crear un riesgo y ocasionar heridas.
3. **No utilice accesorios que no estén específicamente diseñados y recomendados por el fabricante de la herramienta.** El simple hecho de que el accesorio pueda ser instalado en su herramienta eléctrica no garantiza una operación segura.
4. **La velocidad especificada del accesorio deberá ser por lo menos igual a la máxima velocidad marcada en la herramienta eléctrica.** Los accesorios utilizados por encima de su velocidad especificada podrán romperse y salir despedidos.
5. **El diámetro exterior y el grosor de su accesorio deberán estar dentro del rango de capacidad de su herramienta eléctrica.** Los accesorios de tamaño incorrecto no podrán ser protegidos y controlados debidamente.
6. **El tamaño del agujero para eje de las almohadillas de apoyo o cualquier otro accesorio deberá encajar debidamente en el eje de la herramienta eléctrica.** Los accesorios con agujero para eje que no coincida con el eje de montaje de la herramienta eléctrica se desequilibrarán, vibrarán excesivamente y podrán ocasionar una pérdida de control.
7. **No utilice accesorios dañados. Antes de cada utilización, inspeccione el accesorio, tal como la almohadilla de apoyo para ver si tiene grietas. Si deja caer la herramienta eléctrica o el accesorio, inspecciónelos para ver si están dañados o instale uno que no esté dañado.** Después de inspeccionar e instalar un accesorio, póngase usted y cualquier curioso alejados del plano del accesorio giratorio y haga funcionar la herramienta a la máxima velocidad sin carga durante un minuto. Los accesorios dañados normalmente se desintegrarán durante este tiempo de prueba.
8. **Póngase equipo de protección personal. En función de la aplicación, utilice pantalla facial, gafas de protección o gafas de seguridad. Según corresponda, póngase mascarilla contra el polvo, protectores auditivos, guantes y delantal de taller que pueda detener los pequeños fragmentos abrasivos que salgan despedidos de la pieza de trabajo.** La protección de los ojos deberá poder detener los desechos despedidos generados en distintas operaciones. La mascarilla contra el polvo o respirador deberá poder filtrar las partículas generadas por la operación que realice. Una exposición prolongada a ruido de alta intensidad podrá ocasionar pérdida auditiva.

9. **Mantenga a los curiosos a una distancia segura del área de trabajo. Cualquier persona que entre en el área de trabajo deberá ponerse equipo de protección personal.** Los fragmentos de la pieza de trabajo o de un accesorio roto podrán salir despedido y ocasionar heridas más allá del área de operación.
10. **Coloque el cable de alimentación apartado del accesorio giratorio.** Si pierde el control, el cable de alimentación podrá ser cortado o enredado y su mano o brazo ser arrastrado hacia el accesorio giratorio.
11. **No deje nunca la herramienta eléctrica hasta que el accesorio se haya detenido completamente.** El accesorio giratorio podrá agarrarse a la superficie y tirar de la herramienta eléctrica haciéndole perder el control de la misma.
12. **No tenga en marcha la herramienta eléctrica mientras la transporta en su costado.** Un contacto accidental con el accesorio giratorio podrá enredar sus ropas, y atraer el accesorio hacia su cuerpo.
13. **Limpie regularmente los orificios de ventilación de la herramienta eléctrica.** El ventilador del motor conducirá el polvo hacia el interior de la carcasa y una acumulación excesiva de metal en polvo podrá ocasionar peligros eléctricos.
14. **No utilice la herramienta eléctrica cerca de materiales inflamables.** Las chispas podrán encender estos materiales.
15. **No utilice accesorios que requieran refrigerantes líquidos.** La utilización de agua u otros refrigerantes líquidos podrá resultar en una descarga eléctrica o electrocución.

Advertencias sobre retrocesos bruscos y otros peligros relacionados

El retroceso brusco es una reacción repentina debida a un aprisionamiento o estancamiento del disco, plato de caucho, cepillo o cualquier otro accesorio giratorio. El aprisionamiento o estancamiento ocasiona un detenimiento rápido del accesorio giratorio que a su vez hace que la herramienta eléctrica descontrolada sea forzada en dirección opuesta a la rotación del accesorio en el punto de bloqueo.

El retroceso brusco es el resultado de un mal manejo de la herramienta eléctrica y/o procedimientos o condiciones de operación incorrectos y pueden evitarse tomando las precauciones apropiadas ofrecidas a continuación.

- a) **Mantenga agarrada firmemente la herramienta eléctrica y coloque su cuerpo y brazo de forma que le permitan resistir las fuerzas del retroceso brusco.** Utilice siempre el mango auxiliar, si está provisto, para tener el máximo control sobre el retroceso brusco o reacción de torsión durante la puesta en marcha. El operario puede controlar las reacciones de torsión o fuerzas del retroceso brusco, si toma las precauciones adecuadas.
- b) **No ponga nunca su mano cerca del accesorio giratorio.** El accesorio podrá retroceder bruscamente sobre su mano.
- c) **No ponga su cuerpo en el área donde vaya a desplazarse la herramienta eléctrica si ocurre un retroceso brusco.** El retroceso brusco propulsará la herramienta en dirección opuesta al movimiento del disco en el punto del enredo.

- d) **Tenga cuidado especial cuando trabaje esquinas, bordes afilados, etc.** Evite que el accesorio rebote o se enrede. Las esquinas, bordes afilados o los rebotes tienen una tendencia a enredar el accesorio giratorio y causar una pérdida de control o retroceso brusco.
No coloque un disco de tallar madera de cadena de sierra ni un disco de sierra dentado. Tales discos crean retrocesos bruscos y pérdida de control frecuentes.
- e) **No coloque un disco de tallar madera de cadena de sierra ni un disco de sierra dentado.** Tales discos crean retrocesos bruscos y pérdida de control frecuentes.

Advertencias de seguridad específicas para operaciones de pulido:

- a) **No permita que ninguna parte suelta de la caperuza de pulir o sus cuerdas de sujeción giren libremente. Recoja o recorte cualquier cuerda de sujeción suelta.** Las cuerdas de sujeción sueltas y girando pueden engancharse en sus dedos o enredarse en la pieza de trabajo.

Advertencias de seguridad adicionales:

16. **No deje la herramienta en marcha. Tenga en marcha la herramienta solamente cuando la tenga en la mano.**
17. **Asegúrese siempre de que la herramienta esté apagada y desenchufada o que el cartucho de batería haya sido extraído antes de realizar cualquier trabajo en la herramienta.**
18. **Compruebe que la pieza de trabajo esté debidamente apoyada.**
19. **Si el lugar de trabajo es muy caluroso y húmedo, o si está muy contaminado con polvo conductor, utilice un disyuntor (30 mA) para garantizar la seguridad del operario.**
20. **No utilice la herramienta con ningún material que contenga asbestos.**
21. **No utilice agua ni lubricante para amolar.**
22. **Asegúrese de que las aberturas de ventilación se mantengan despejadas cuando trabaje en condiciones polvorrientas.** Si fuera necesario quitar el polvo, primero desconecte la herramienta de la toma de corriente, luego limpie (utilice objetos no metálicos) evitando dañar las partes internas.

GUARDE ESTAS INSTRUCCIONES.

ADVERTENCIA:

No deje que la comodidad o familiaridad con el producto (a base de utilizarlo repetidamente) sustituya la estricta observancia de las normas de seguridad para el producto en cuestión. El MAL USO o el no seguir las normas de seguridad establecidas en este manual de instrucciones podrá ocasionar graves heridas personales.

DESCRIPCIÓN FUNCIONAL

PRECAUCIÓN:

- Asegúrese siempre de que la herramienta esté apagada y desenchufada antes de ajustar o comprobar cualquier función de la herramienta.

Accionamiento del interruptor (Fig. 1)

PRECAUCIÓN:

- Antes de enchufar la herramienta, compruebe siempre que el interruptor de gatillo se acciona correctamente y regresa a la posición "OFF" cuando se libera.

Para encender la herramienta, simplemente presione el interruptor de gatillo. Suelte el interruptor de gatillo para apagar la herramienta.

Para una operación continua, presione el interruptor de gatillo y luego empuje el botón de bloqueo.

Para parar la herramienta cuando funciona en la posición de bloqueo, presione el interruptor de gatillo completamente y suéltelo.

Dial de ajuste de velocidad (Fig. 2)

La velocidad de herramienta puede cambiarse girando el dial de ajuste de velocidad hasta un número de ajuste dado de 1 a 5.

Girando el dial en dirección del número 5 se obtiene una velocidad más alta. Y girándolo hacia el número 1 se obtiene una velocidad más baja.

Consulte la siguiente tabla para ver la relación existente entre los números de ajuste del dial y la velocidad de herramienta aproximada.

Número	min ⁻¹ (RPM)
1 – 2	600 – 800
2 – 3	800 – 1.300
3 – 4	1.300 – 1.800
4 – 5	1.800 – 2.000

PRECAUCIÓN:

- Si la herramienta es utilizada continuamente a velocidades bajas el motor se sobrecargará, resultando en un mal funcionamiento de la herramienta.
- El dial de ajuste de velocidad sólo puede ser girado hasta 5 y retornar hasta 1. No lo fuerce a pasar del 5 o del 1, porque estropeará la función de ajuste de velocidad y no se podrá volver a utilizar.

Las herramientas equipadas con funciones electrónicas son fáciles de manejar gracias a las siguientes características.

- **Control de velocidad constante electrónico.**

Se puede lograr un acabado fino, porque la velocidad de giro se mantiene constante incluso en condición de carga.

- **Inicio progresivo**

Inicio progresivo gracias a la supresión del choque de inicio.

Botón de selección de velocidad alta-baja (Fig. 3)

La velocidad de la herramienta se puede cambiar instantáneamente cuando ésta está en marcha. Baje la posición "I" para obtener la velocidad más baja o la posición "II" para ajustar en un número dado. Cuando el botón esté en la posición "I" no podrá cambiarse la velocidad de la herramienta, aunque gire el anillo de ajuste de velocidad. Cuando gire el anillo de ajuste de velocidad, asegúrese siempre de que el botón esté bajado en la posición "II".

MONTAJE

PRECAUCIÓN:

- Asegúrese siempre de que la herramienta esté apagada y desenchufada antes de realizar cualquier trabajo en la herramienta.

Instalación de la empuñadura lateral (mango auxiliar) y la cubierta (Fig. 4 y 5)

PRECAUCIÓN:

- Antes de la operación, asegúrese siempre de que la empuñadura lateral está instalada firmemente.

Instale la cubierta, y a continuación rosque la empuñadura lateral en la herramienta firmemente. La empuñadura lateral y la cubierta pueden instalarse en cualquiera de los lados de la herramienta.

Instalación y desmontaje de la almohadilla de apoyo (Fig. 6)

Sujete el eje con la llave fija para impedir que gire. Luego rosque el plato en el eje a tope. (El plato se puede utilizar para instalar la boina de esponja opcional.)

Para desmontar el plato, siga el procedimiento de instalación a la inversa.

Instalación o desmontaje de la boina de esponja (Fig. 7)

Para instalar la boina de esponja, en primer lugar retire toda la suciedad o materias extrañas que pueda haber en el plato. Instale la boina de esponja en el plato.

Para retirar la boina del plato, tire de ella con cuidado.

Instalación o desmontaje de la caperuza de lana (Fig. 8, 9 y 10)

Monte el plato de caucho en el eje. Rosque la contratuerca en el eje.

Para apretar la contratuerca, sujete el eje con la llave para que no pueda girar, después apriete firmemente hacia la derecha utilizando la llave de contratuerca.

Coloque la caperuza de lana completamente sobre el plato de goma y tire de la cuerda firmemente. Anude el cordón con un lazo y ponga debajo de la caperuza el nudo y cualquier hilo suelto.

Para retirar la caperuza del plato, siga el procedimiento de instalación a la inversa.

OPERACIÓN

Operación de pulido con la boina de esponja (Fig. 11)

PRECAUCIÓN:

- Póngase siempre gafas de seguridad o máscara facial durante la tarea.

En general, mantenga la boina de esponja a un ángulo de unos 15 grados con la superficie de la pieza de trabajo.

Operación de pulido con la caperuza de lana (Fig. 12)

PRECAUCIÓN:

- Póngase siempre gafas de seguridad o máscara facial durante la tarea.

Sujete la herramienta firmemente. Encienda la herramienta y después aplique la caperuza de lana a la pieza de trabajo.

En general, mantenga la caperuza de lana a un ángulo de unos 15 grados con la superficie de la pieza de trabajo. Aplique una ligera presión solamente. Una presión excesiva resultará en un rendimiento deficiente y en un desgaste prematuro de la caperuza de lana.

MANTENIMIENTO

PRECAUCIÓN:

- Asegúrese siempre de que la herramienta esté apagada y desenchufada antes de intentar realizar una inspección o mantenimiento.

Reemplazo de las escobillas de carbón (Fig. 13 y 14)

Extraiga e inspeccione las escobillas de carbón regularmente. Reemplácelas cuando se hayan desgastado hasta la marca límite. Mantenga las escobillas de carbón limpias de forma que entren libremente en los portaescobillas. Deberán reemplazarse ambas escobillas de carbón al mismo tiempo. Utilice únicamente escobillas de carbón idénticas.

Utilice un destornillador para quitar los tapones portaescobillas. Extraiga las escobillas desgastadas, inserte las nuevas y vuelva a colocar los tapones portaescobillas.

Para mantener la SEGURIDAD y FIABILIDAD del producto, las reparaciones, y otras tareas de mantenimiento o ajuste deberán ser realizadas en Centros Autorizados o Servicio de Fábrica de Makita, empleando siempre repuestos Makita.

ACCESORIOS

PRECAUCIÓN:

- Estos accesorios o acoplamientos están recomendados para utilizar con la herramienta Makita especificada en este manual. El empleo de otros accesorios o acoplamientos conllevará un riesgo de sufrir heridas personales. Utilice los accesorios o acoplamientos solamente para su fin establecido.

Si necesita cualquier ayuda para más detalles de relación con estos accesorios, pregunte al centro de servicio Makita local.

- Boina de esponja (Gancho y lazo)
- Almohadilla de apoyo 165 (Gancho y lazo)
- Caperuza de lana 180
- Llave de tuercas 17
- Empuñadura lateral (mango auxiliar)

ENG102-3

Ruido

El nivel de ruido A-ponderado típico determinado de acuerdo con la norma EN60745:

Nivel de presión sonora (L_{pA}): 81 dB (A)

Nivel de potencia sonora (L_{WA}): 92 dB (A)

Error (K): 3 dB (A)

Póngase protectores en los oídos.

ENG240-1

Vibración

El valor total de la vibración (suma de vectores triaxiales) determinado de acuerdo con la norma EN60745:

Modo tarea: pulido

Emisión de vibración ($a_{h,p}$): 2,5 m/s² o menos

Error (K): 1,5 m/s²

Si la herramienta se utiliza para otras aplicaciones, es posible que los valores de vibración sean diferentes.

ENG901-1

- El valor de emisión de vibración declarado ha sido medido de acuerdo con el método de prueba estándar y se puede utilizar para comparar una herramienta con otra.
- El valor de emisión de vibración declarado también se puede utilizar en una valoración preliminar de exposición.

ADVERTENCIA:

- La emisión de vibración durante la utilización real de la herramienta eléctrica puede variar del valor de emisión declarado dependiendo de las formas en las que la herramienta sea utilizada.
- Asegúrese de identificar medidas de seguridad para proteger al operario que estén basadas en una estimación de la exposición en las condiciones reales de utilización (teniendo en cuenta todas las partes del ciclo operativo tal como las veces cuando la herramienta está apagada y cuando está funcionando en vacío además del tiempo de gatillo).

Para países europeos solamente

Declaración de conformidad CE

Makita Corporation como fabricante responsable declara que la(s) siguiente(s) máquina(s) de Makita:

Designación de máquina:

Pulidora

Modelo N°/Tipo: PV7000C

son producidas en serie y

Cumplen con las directivas europeas siguientes:

98/37/EC hasta el 28 de diciembre de 2009 y después con 2006/42/EC desde el 29 de diciembre de 2009

Y que están fabricadas de acuerdo con las normas o documentos normalizados siguientes:

EN60745

Los documentos técnicos los guarda nuestro representante autorizado en Europa cuya persona es:

Makita International Europe Ltd.

Michigan Drive, Tongwell,

Milton Keynes, MK15 8JD, Inglaterra

30 de enero de 2009




Tomoyasu Kato
Director

Makita Corporation
3-11-8, Sumiyoshi-cho,
Anjo, Aichi, JAPAN

Explicação geral

1 Gatilho do interruptor	6 Punho lateral	13 Porca de fixação
2 Botão de bloqueio	7 Disco de suporte	14 Disco de borracha
3 Marcador de regulação da velocidade	8 Veio	15 Chave de pinos
4 Botão de regulação de Alta-baixa velocidade	9 Chave	16 Marca limite
5 Cobertura	10 Almofada esponjosa	17 Tampa do porta-escovas
	11 Almofada	18 Chave de fendas
	12 Boina de lã	

ESPECIFICAÇÕES

Modelo	PV7000C
Capacidades Máximas	
Almofada esponjosa/Boina de lã	180 mm
Rosca do eixo	M14
Velocidade nominal (n) /	
Velocidade em vazio (n ₀)	600 – 2.000 min ⁻¹
Comprimento total	210 mm
Peso líquido	2,1 kg
Classe de segurança	 /II

- Devido a um programa contínuo de pesquisa e desenvolvimento, estas especificações podem ser alteradas sem aviso prévio.
- As especificações podem variar de país para país.
- Peso de acordo com o Procedimento 01/2003 da EPTA (European Power Tool Association)

Utilização pretendida

Esta ferramenta foi concebida para trabalho de polimento, alisamento antes de pintura, acabamento de superfícies e remoção de ferrugem e tinta.

Alimentação

A ferramenta só deve ser ligada a uma fonte de alimentação com a mesma voltagem da indicada na placa de características, e só funciona com alimentação corrente alterna monofásica. Tem um sistema de isolamento duplo de acordo com as normas europeias e pode, por isso, utilizar tomadas sem ligação à terra.

GEA010-1

Avisos gerais de segurança para ferramentas eléctricas

⚠ AVISO! Leia todos os avisos de segurança e todas as instruções. O não cumprimento de todos os avisos e instruções pode originar choque eléctrico, incêndio e/ou ferimentos graves.

Guarde todos os avisos e instruções para futuras referências.

GEB038-2

ADVERTÊNCIAS DE SEGURANÇA DA POLIDORA

Advertências de segurança comuns para polimento:

1. Esta ferramenta tem por finalidade funcionar como uma polidora. Leia os avisos de segurança, instruções, ilustrações e especificações fornecidas com a ferramenta. O não seguimento de todas as instruções que se seguem poderá resultar em choque eléctrico, incêndio e/ou graves ferimentos.

2. **Operações como esmerilhamento, lixamento, limpeza com escova metálica ou serragem não são recomendadas com esta ferramenta eléctrica.** Operações diferentes daquelas para as quais a ferramenta foi projectada podem criar situações perigosas e causar ferimentos ao operador.
3. **Não utilize acessórios que não sejam especificamente projectados e recomendados pelo fabricante.** O fato de poder instalar o acessório na ferramenta eléctrica não garante um funcionamento com segurança.
4. **A velocidade nominal do acessório deve ser pelo menos igual à velocidade máxima indicada na ferramenta.** Os acessórios que funcionam em velocidade mais alta do que a velocidade nominal podem quebrar e se estilhaçar.
5. **O diâmetro externo e a espessura do acessório devem estar dentro da capacidade nominal da ferramenta eléctrica.** Não é possível proteger ou controlar adequadamente os acessórios de tamanho incorrecto.
6. **O tamanho da haste dos discos de suporte ou qualquer outro acessório deve encaixar devidamente no eixo da ferramenta.** Acessórios com orifícios de haste que não correspondem com o hardware de instalação da ferramenta eléctrica ficam desbalanceados, vibram excessivamente e podem causar a perda de controlo.
7. **Não utilize acessórios danificados. Antes de utilizar, inspeccione o acessório como o disco de suporte para ver se há rasgos. Se a ferramenta ou acessório cair, verifique se há danos e, em caso positivo, instale um acessório em boas condições. Após inspeccionar ou instalar um acessório, certifique-se de que os espectadores bem como você mesmo estejam afastados do acessório rotativo, e funcione a ferramenta em velocidade máxima em vazio por um minuto.** Os acessórios danificados geralmente se quebram durante esta prova.
8. **Utilize equipamento de protecção pessoal. Utilize um protector facial, óculos de segurança ou protectores oculares, conforme a aplicação. Utilize uma máscara contra pó, protectores auriculares, luvas e avental capazes de resguardar contra estilhaços pequenos da peça de trabalho.** Os protectores oculares devem ter capacidade de resguardar contra fragmentos gerados por diversas operações. A máscara contra pó ou de respiração deve ter capacidade de filtrar partículas geradas pela operação com a lixadeira. A exposição prolongada a ruídos de alta intensidade pode causar a perda de audição.

9. **Mantenha os espectadores a uma distância segura da área de trabalho. Todas as pessoas que entram na área de trabalho devem utilizar equipamento de protecção pessoal.** Estilhaços da peça de trabalho ou um acessório quebrado podem ser atirados e causar ferimentos além da área imediata de operação.
10. **Coloque o fio afastado do acessório rotativo.** Se perder o controlo, o fio pode ser cortado ou ficar preso e sua mão ou braço pode ser puxado para o acessório em rotação.
11. **Nunca pouse a ferramenta eléctrica antes que o acessório tenha parado completamente.** O acessório rotativo pode engancha na superfície e descontrolar a ferramenta.
12. **Não funcione a ferramenta eléctrica enquanto a carga ao seu lado.** O contacto acidental com o acessório rotativo pode prender as roupas, puxando o acessório na direcção do seu corpo.
13. **Limpe os orifícios de ventilação da ferramenta eléctrica regularmente.** A ventoinha do motor aspira o pó dentro da caixa e a acumulação excessiva de metal pulverizado pode causar choque eléctrico.
14. **Não funcione a ferramenta eléctrica próximo de materiais inflamáveis.** As fagulhas podem incendiar esses materiais.
15. **Não utilize acessórios que requerem refrigerantes líquidos.** A utilização de água ou outros refrigerantes líquidos pode resultar em choque ou electrocussão.

Advertências sobre contragolpes

O contragolpe é uma reacção repentina a um disco rotativo, base protectora, escova ou qualquer outro acessório preso ou emperrado. O bloqueio causa a parada imediata do acessório rotativo que, por sua vez, causa o impulso da ferramenta descontrolada na direcção oposta à da rotação do acessório, no ponto onde foi preso.

O contragolpe é o resultado de utilização imprópria da ferramenta eléctrica e/ou condições ou procedimentos incorrectos para o funcionamento e pode ser evitado tomando-se as medidas de precaução relacionadas abaixo.

- a) **Segure firme a ferramenta eléctrica e posicione-se de tal forma que o seu corpo e braço permitam-lhe resistir à força do contragolpe. Utilize sempre o punho auxiliar, se fornecido, para controlo máximo sobre o contragolpe ou reacção do torque durante a partida.** O operador poderá controlar as reacções do torque ou as forças do contragolpe se tomar as precauções necessárias.
- b) **Nunca coloque as mãos perto do acessório rotativo.** O acessório pode recuar sobre a sua mão.
- c) **Posicione-se de forma a ficar afastado da área onde a ferramenta será lançada no caso de um contragolpe.** O contragolpe lança a ferramenta na direcção oposta ao movimento do disco no ponto onde prende.
- d) **Tenha cuidado especialmente ao trabalhar em cantos, arestas cortantes, etc. Evite bater com a ferramenta e prender o acessório.** Os cantos, arestas cortantes ou as batidas com a ferramenta tendem a prender o acessório rotativo e causar perda de controlo ou contragolpe.

- e) **Não instale uma lâmina para esculpir de moto-serra nem uma lâmina de serra dentada.** Essas lâminas criam contragolpes frequentes e perda de controlo.

Advertências de segurança específicas para polimento:

- a) **Não permita que qualquer parte solta da boina de polimento nem os seus fios de prender rodem livremente. Oculte ou corte qualquer fio solto.** Fios soltos rodando podem se emaranhar nos seus dedos ou prender a peça de trabalho.

Advertências de segurança adicionais:

16. **Não deixe a ferramenta a funcionar sozinha.** Funcione a ferramenta somente quando estiver segurando-a.
17. **Certifique-se sempre de que a ferramenta esteja desligada e a bateria retirada antes de executar qualquer serviço de manutenção na ferramenta.**
18. **Verifique se a peça de trabalho está devidamente apoiada.**
19. **Se o local de trabalho for quente ou húmido demais, ou tiver muito pó conductivo, utilize um disjuntor de curto-circuito (30 mA) para garantir a segurança do operador.**
20. **Não utilize a ferramenta em materiais contendo asbesto.**
21. **Não utilize água nem lubrificante para lixar.**
22. **Se estiver a trabalhar em locais com muito pó, verifique se as aberturas de ventilação estão limpas e desobstruídas. Se for necessário limpar o pó, desligue primeiro a ferramenta da tomada de corrente (utilize objectos não metálicos) e tenha cuidado para não danificar as peças internas.**

GUARDE ESTAS INSTRUÇÕES.

AVISO:

NÃO permita que conforto ou familiaridade com o produto (adquirido com o uso repetido) substitua a aderência estrita às regras de segurança da ferramenta. MÁ INTERPRETAÇÃO ou não seguimento das regras de segurança estabelecidas neste manual de instruções pode causar danos pessoais sérios.

DESCRIÇÃO FUNCIONAL

PRECAUÇÃO:

- Certifique-se de que a ferramenta está desligada e a ficha retirada da tomada antes de regular ou verificar qualquer função na ferramenta.

Interruptor (Fig. 1)

PRECAUÇÃO:

- Antes de ligar a ferramenta à corrente, certifique-se de que o gatilho do interruptor funciona correctamente e volta para a posição "OFF" quando desligado.

Para ligar a ferramenta carregue simplesmente no gatilho do interruptor. Liberte o gatilho do interruptor para parar.

Para operação contínua, carregue no gatilho do interruptor e em seguida empurre o botão de bloqueio.

Para parar a ferramenta a partir da posição de bloqueio, carregue completamente no gatilho do interruptor e liberte-o em seguida.

Marcador de regulação da velocidade (Fig. 2)

A velocidade de ferramenta pode ser alterada rodando o marcador de regulação da velocidade para dado número de ajuste de 1 a 5.

Obtém maior velocidade quando o marcador está voltado para a direcção do número 5. Obtém velocidade inferior quando está voltado para a direcção do número 1.

Refira-se à tabela abaixo para a relação entre o número do ajuste no marcador e a velocidade de ferramenta aproximada.

Número	min. ⁻¹ (RPM)
1 – 2	600 – 800
2 – 3	800 – 1.300
3 – 4	1.300 – 1.800
4 – 5	1.800 – 2.000

PRECAUÇÃO:

- Se operar a ferramenta em velocidade baixa continuamente, ocorrerá a sobrecarga do motor, provocando o mau funcionamento.
- O marcador de regulação de velocidade só pode ser rodado até ao 5 e até ao 1. Não force para passar o 5 ou o 1 pois pode estragar a função de regulação da velocidade.

As ferramentas equipadas com função electrónica são fáceis de utilizar devido às seguintes características.

- **Controlo electrónico de velocidade constante**
Possibilita obter um acabamento fino dado que mantém a velocidade de rotação constante, mesmo na condição de funcionamento com carga.
- **Característica de início suave**
Início suave devido à supressão do choque inicial.

Botão de regulação de alta-baixa velocidade (Fig. 3)

Pode mudar a velocidade da ferramenta instantaneamente enquanto a ferramenta está a funcionar. Pressione a posição "I" para menor velocidade e pressione a posição "II" para regulação num número específico. A velocidade da ferramenta não pode ser mudada quando o botão está na posição "I", mesmo se rodar o marcador de regulação da velocidade. Quando roda o marcador de regulação da velocidade, certifique-se sempre de que o botão está pressionado na posição "II".

ASSEMBLAGEM

PRECAUÇÃO:

- Certifique-se sempre de que a ferramenta está desligada e a ficha retirada da tomada antes de executar qualquer manutenção na ferramenta.

Colocação do punho lateral (pega auxiliar) e cobertura (Fig. 4 e 5)

PRECAUÇÃO:

- Certifique-se sempre de que o punho lateral esteja instalado seguramente antes de utilizar a ferramenta.

Coloque a cobertura e em seguida aparafuse o punho lateral seguramente. O punho lateral e a cobertura podem ser colocados em qualquer dos lados da ferramenta.

Colocar ou retirar o disco de suporte (Fig. 6)

Agarre no eixo com a chave, de modo a que não se possa mover. Em seguida aparafuse a almofada no eixo até ao fim. (A almofada pode ser utilizada para instalar a almofada esponjosa opcional.)

Para retirar a almofada, execute inversamente o procedimento de colocação.

Colocar ou retirar a almofada esponjosa (Fig. 7)

Para instalar a almofada esponjosa, retire primeiro toda a sujidade ou partículas estranhas da almofada. Coloque a almofada esponjosa na almofada.

Para retirar a almofada esponjosa, retire-a devagar da almofada.

Colocar ou retirar a boina de lã (Fig. 8, 9 e 10)

Monte a almofada de borracha no eixo. Aparafuse a porca de bloqueio no eixo.

Para apertar a contraporca, prenda o eixo com uma chave de forma que mesmo não rode e use a chave de contraporca para apertar bem, rodando para a direita.

Encaixe a boina de lã completamente sobre o disco de borracha e puxe o fio bem apertado. Faça um nó e esconda o nó e qualquer fio solto entre a boina de lã e a almofada de borracha.

Para retirar a boina de lã, execute inversamente o procedimento de colocação.

OPERAÇÃO

Polimento com a almofada esponjosa (Fig. 11)

PRECAUÇÃO:

- Utilize sempre óculos de segurança ou uma máscara durante a operação.

Normalmente, mantenha a almofada esponjosa em um ângulo de mais ou menos 15° em relação à superfície da peça de trabalho.

Polimento com a boina de lã (Fig. 12)

PRECAUÇÃO:

- Utilize sempre óculos de segurança ou uma máscara durante a operação.

Segure a ferramenta com firmeza. Ligue a ferramenta e aplique a boina de lã na peça de trabalho.

Normalmente, mantenha a boina de lã em um ângulo de mais ou menos 15 graus em relação à superfície da peça de trabalho.

Aplique apenas uma pressão leve. Pressão excessiva resulta em desempenho inferior e desgaste prematuro da boina de lã.

MANUTENÇÃO

PRECAUÇÃO:

- Certifique-se sempre de que a ferramenta está desligada e a ficha retirada da tomada antes de executar qualquer inspeção ou manutenção.

Substituição das escovas de carvão (Fig. 13 e 14)

Retire e inspecione as escovas de carvão regularmente. Substitua-as quando estiverem gastas até à marca limite. Mantenha as escovas de carvão limpas e a deslizarem livremente nos suportes. As duas escovas de carvão devem ser substituídas ao mesmo tempo. Utilize só escovas de carvão idênticas.

Utilize uma chave de parafusos para retirar as tampas do porta escovas. Tire as escovas gastas, coloque as novas e prenda as tampas do porta escovas.

Para manter a SEGURANÇA e a FIABILIDADE da ferramenta, as reparações e a manutenção ou as afinações só devem ser efectuadas num Centro de Assistência Oficial MAKITA, utilizando sempre peças de substituição Makita.

ACESSÓRIOS

PRECAUÇÃO:

- Estes acessórios ou acoplamentos são os recomendados para uso na ferramenta MAKITA especificada neste manual. A utilização de qualquer outro acessório ou acoplamento poderá ser perigosa para o operador. Os acessórios ou acoplamentos devem ser utilizados de maneira adequada e apenas para os fins a que se destinam.

No caso de necessitar ajuda para mais detalhes sobre estes acessórios, consulte ao departamento de assistência local da Makita.

- Almofada esponjosa (tipo aderente)
- Disco de suporte 165 (tipo aderente)
- Boina de lã 180
- Chave 17
- Punho lateral (pega auxiliar)

ENG102-3

Ruído

A característica do nível de ruído A determinado de acordo com EN60745:

Nível de pressão de som (L_{pA}): 81 dB (A)

Nível de som (L_{WA}): 92 dB (A)

Variabilidade (K): 3 dB (A)

Utilize protectores para os ouvidos.

ENG240-1

Vibração

Valor total da vibração (soma vectorial tri-axial) determinado conforme EN60745:

Modo de funcionamento: polimento

Emissão de vibração ($a_{h,p}$): 2,5 m/s² ou inferior

Variabilidade (K): 1,5 m/s²

Se a ferramenta for utilizada para outros fins, os valores do nível de vibração podem ser diferentes.

- O valor da emissão de vibração indicado foi medido de acordo com o método de teste padrão e pode ser utilizado para comparar duas ferramentas.
- O valor da emissão de vibração indicado pode também ser utilizado na avaliação preliminar da exposição.

AVISO:

- A emissão de vibração durante a utilização real da ferramenta eléctrica pode diferir do valor de emissão indicado, dependendo das formas como a ferramenta é utilizada.
- Certifique-se de identificar as medidas de segurança para protecção do operador que sejam baseadas em uma estimativa de exposição em condições reais de utilização (considerando todas as partes do ciclo de operação, tal como quando a ferramenta está desligada e quando está a funcionar em marcha lenta além do tempo de accionamento).

ENH101-13

Só para países Europeus

Declaração de conformidade CE

Nós, a Makita Corporation, fabricante responsável, declaramos que a(s) seguinte(s) ferramenta(s) Makita:

Designação da ferramenta:

Polidora electrónica

Modelos n.º/Tipo: PV7000C

são de produção de série e

Em conformidade com as seguintes directivas europeias:

98/37/EC até 28 de dezembro de 2009 e 2006/42/

EC a partir de 29 de dezembro 2009

E estão fabricados de acordo com as seguintes normas ou documentos normativos:

EN60745

A documentação técnica é mantida pelo nosso representante autorizado na Europa:

Makita International Europe Ltd.

Michigan Drive, Tongwell,

Milton Keynes, MK15 8JD, Inglaterra

30 de janeiro de 2009




Tomoyasu Kato
Director

Makita Corporation
3-11-8, Sumiyoshi-cho,
Anjo, Aichi, JAPAN

Illustrationsoversigt

1 Afbryderknop	7 Bagskive	14 Gummibagskive
2 Låseknop	8 Spindel	15 Tapnøgle
3 Hastighedsvælgerknop	9 Gaffelnøgle	16 Slidmarkering
4 Høj-Lav	10 Svampepude	17 Børsteholderhætte
hastighedsindstillingsknop	11 Slibetallerken	18 Skruetrækker
5 Afskærmning	12 Polérhætte	
6 Sidegreb	13 Sikringsmøtrik	

SPECIFIKATIONER

Model	PV7000C
Maks. kapacitet	
Svampepude/Polérhætte	180 mm
Spindelgevind.....	M14
Nominelle hastighed (n) /	
Omdrejninger (n ₀).....	600 – 2 000 min ⁻¹
Længde	210 mm
Vægt	2,1 kg
Sikkerhedsklasse	 II

- Ret til tekniske ændringer forbeholdes.
- Specifikationer kan variere fra land til land.
- Vægt i henhold til EPTA-Procedure 01/2003

Tilsligtet anvendelse

Denne maskine er beregnet til polering, og udjævning inden maling samt efterbehandling af overflader og fjernelse af rust og maling.

Netspænding

Maskinen må kun tilsluttes den netspænding, der er angivet på typeskiltet. Maskinen arbejder på enkeltfasets vekselspænding og er dobbeltisoleret iht. de europæiske normer og må derfor tilsluttes en stikkontakt uden jordtilslutning.

GEA010-1

Almindelige sikkerhedsregler for el-værktøj

⚠ ADVARSEL! Læs alle sikkerhedsadvarsler og alle sikkerhedsinstruktioner. Hvis nedenstående advarsler og instruktioner ikke overholdes, kan resultatet blive elektrisk stød, brand og/eller alvorlig personskade.

Gem alle advarsler og instruktioner til fremtidig reference.

GEB038-2

SIKKERHEDSADVARSLER FOR POLEREMASKINE

Generelle sikkerhedsadvarsler for polering:

1. Denne maskine er beregnet til at anvendes som poleremaskine. Læs alle de sikkerhedsadvarsler, instruktioner, illustrationer og specifikationer, som følger med denne maskine. Forsømmelse af at følge alle instruktionerne herunder kan resultere i elektrisk stød, brand og/eller alvorlig tilskadekomst.
2. Det kan ikke anbefales at udføre arbejde som f.eks. slibning, sandpapirslibning, trådbørstning eller afskæring med denne maskine. Anvendelse, som maskinen ikke er beregnet til, kan være farligt og føre til personskade.
3. Anvend ikke tilbehør, som ikke er specifikt lavet og anbefalet af maskinens fabrikant. Den omstændighed, at tilbehøret kan monteres på din maskine, er ingen garanti for, at anvendelsen bliver sikkerhedsmæssig forsvarlig.

4. Tilbehøret skal være beregnet til mindst den nominelle hastighed, som er anført på maskinen. Tilbehør, som kører med en større hastighed end den, som tilbehøret er beregnet til, kan brække og slynges af.
5. Tilbehørets ydre diameter og tykkelse skal være inden for din maskines kapacitet. Tilbehør med en forkeft størrelse kan ikke beskyttes eller styres tilstrækkeligt.
6. Dornstørrelsen på bagskiverne eller andet tilbehør skal passe nøjagtigt til spindelen på maskinen. Tilbehør med dornhuller, som ikke passer til maskinens monteringsdele, vil miste balancen, vibrere ekstremt og kan føre til tab af kontrol.
7. Anvend ikke beskadiget tilbehør. Inspicer tilbehøret for hver brug, som for eksempel bagskiven, for revner. Hvis maskinen eller tilbehøret tabs, skal de efterses for skade, eller en ubeskadiget tilbehørsdel skal monteres. Efter inspektion og montering af tilbehør, skal De og omkringstående stå på god afstand af det roterende tilbehørs høvl, og maskinen skal køres på højeste, ubelastede hastighed i et minut. Beskadiget tilbehør vil normalt brække under prøvetiden.
8. Bør altid personligt beskyttelsesudstyr. Afhængigt af arbejdets art, skal der anvendes ansigtsmaske, beskyttelsesbriller eller sikkerhedsbriller. Bær støvmaske, høreværn, handsker og forklæde, som er i stand til at stoppe mindre fint-slebne dele eller dele af arbejdsemnet. Øjenbeskyttelsen skal kunne stoppe afslængede stykker, som er frembragt af forskelligt arbejde. Støvmaske og respirator skal kunne stoppe filtreringspartikler, som er frembragt af arbejdet. Længere tids udsættelse for støj af høj intensitet kan føre til høretab.
9. Hold tilskuere på god afstand af arbejdsområdet. Enhver person, som befinder sig i arbejdsområdet, skal bære personligt beskyttelsesudstyr. Fragmenter fra arbejdsemner eller fra brækket tilbehør kan blive slyngt af og være årsag til tilskadekomst, også uden for det umiddelbare arbejdsområde.
10. Anbring altid ledningen, så den ikke kommer i kontakt med drejende tilbehør. Hvis De mister herredømmet over maskinen, kan ledningen blive skåret over, og Deres hånd eller arm kan komme i kontakt med det roterende tilbehør.
11. Læg aldrig maskinen fra Dem, før tilbehøret er stoppet fuldstændigt. Det roterende tilbehør kan gribe fat i overfladen, hvilket kan bevirke, at De mister herredømmet over maskinen.
12. Lad ikke maskinen køre, mens De bærer den ved siden. Utilsligtet kontakt med det roterende tilbehør kan gribe fat i tøjet og derved trække tilbehøret ind mod kroppen.

13. Rengør maskinens ventilationsåbninger med jævne mellemrum. Motorens vifte vil trække støv ind i huset, og en kraftig ophobning af metalstøv kan skabe elektrisk fare.
14. Anvend ikke maskinen i nærheden af brændbare materialer. Disse materialer kan blive antændt af gnister.
15. Anvend ikke tilbehør, der kræver kølevæske. Anvendelse af vand eller anden kølevæske kan resultere i dødelige stød eller elektriske stød.

Tilbageslag og relaterede advarsler

Tilbageslag er en pludselig reaktion på en fastklemt eller blokeret roterende skive, bagskive eller andet tilbehør. En fastklemt eller blokeret del forårsager hurtig standsning af det roterende tilbehør, som derved bliver årsag til, at den ukontrollerede maskine bliver tvunget i den modsatte retning ved punktet for bindingen.

Tilbageslag er resultatet af misbrug af maskinen og/eller fejlagtig anvendelse eller forkerte brugsforhold og kan undgås ved at man tager de rigtige forholdsregler som vist herunder.

- a) Hold godt fast i maskinen og hold kroppen og armen således, at De kan modvirke tilbageslagskraften. Anvend altid hjælpehåndtaget, hvis et sådant medfølger, til at opnå maksimal kontrol af tilbageslag og drejningsmoment under starten. Operatøren kan kontrollere drejningsmomentreaktion eller tilbageslagskraft, hvis de rigtige forholdsregler tages.
- b) Anbring aldrig hænderne i nærheden af roterende tilbehør. De risikerer at få hånden ind i tilbageslagets bane.
- c) Stil Dem ikke i det område, hvor maskinen vil bevæge sig, hvis der opstår tilbageslag. Tilbageslag vil slynge maskinen i den modsatte retning af hjulets omdrejning på blokeringspunktet.
- d) Vær særlig omhyggelig, når De arbejder på hjørner, skarpe kanter etc. Undgå at bumpe eller blokere tilbehøret. Hjørner, skarpe kanter eller bumpen har tendens til at blokere det roterende tilbehør og forårsage tab af kontrol eller tilbageslag.
- e) Monter ikke en kædesavs træskæreklinge eller en savklinge med tænder. Sådanne klinger giver hyppige tilbageslag og tab af kontrol.

Sikkerhedsadvarsler, som gælder specielt for polering:

- a) Tillad ikke, at nogen løs del af polerhætten eller dens befæstelsessnøre drejer frit. Løse befæstelsessnøre skal holdes inde eller skæres af. Løse eller drejende befæstelsessnøre kan vikle sig om fingrene eller hindre arbejdsnet.

Supplerende sikkerhedsforskrifter:

16. Læg ikke maskinen fra Dem, mens den stadig kører. Anvend kun maskinen som håndværktøj.
17. Sørg altid for, at maskinen er afbrudt og taget ud af forbindelse eller at akkuen er taget ud, inden De udfører noget arbejde på maskinen.
18. Kontroller, at arbejdsnettet er ordentligt understøttet.
19. Hvis arbejdsstedet er ekstremt varmt eller fugtigt, eller er slemt forurenet af ledende støv, bør der anvendes en kortslutningsafbryder (30 mA) for at garantere operatørens sikkerhed under arbejdet.

20. Anvend aldrig denne maskine på materialer, som indeholder asbest.
21. Anvend ikke vand eller slibemiddel.
22. Sørg altid for, at ventilationsåbningerne forbliver ublokerede, når der arbejdes under støvede forhold. Hvis det skulle blive nødvendigt at fjerne støv, skal De først tage maskinens netledning ud af stikkontakten og derefter rengøre maskinen (med anvendelse af ikke-metalliske genstande), idet der udvises forsigtighed, så de indvendige dele ikke beskadiges.

GEM DISSE FORSKRIFTER.

ADVARSEL:

LAD IKKE bekvemmelighed eller kendskab til produktet (opnået gennem gentagen brug) forhindre, at sikkerhedsforskrifterne for produktet nøje overholdes. MISBRUG eller forsømmelse af at følge de i denne brugsvejledning givne sikkerhedsforskrifter kan føre til, at De kommer alvorligt til skade.

FUNKTIONSBESKRIVELSE

FORSIGTIG:

- Kontrollér altid at maskinen er slukket, og at netledningen er taget ud af stikkontakten, før funktioner på maskinen justeres eller kontrolleres.

Afbryderkontaktbetjening (Fig. 1)

FORSIGTIG:

- Før maskinen sættes til netstikket, skal De altid kontrollere, at afbryderkontakten fungerer korrekt og returnerer til "OFF" positionen, når den slippes.

Maskinen startes ved blot at trykke på afbryderkontakten. Slip afbryderkontakten for at stoppe.

Ved vedvarende arbejde trykkes afbryderkontakten ind og låsekappen skubbes ind.

For at frigøre maskinen fra den låste position trykkes afbryderkontakten helt ind hvorefter den slippes.

Hastighedsvælger (Fig. 2)

Maskinhastigheden kan ændres ved at dreje hastighedsvælgeren til en given talindstilling fra 1 til 5.

Højere hastighed opnås, når vælgeren drejes i retning af 5. Langsommere hastighed opnås, når vælgeren drejes i retning af 1.

Se nedenstående tabel for forholdet mellem talindstillingerne på vælgeren og den omtrentlige maskinhastighed.

Tal	min. ⁻¹ (RPM)
1 – 2	600 – 800
2 – 3	800 – 1 300
3 – 4	1 300 – 1 800
4 – 5	1 800 – 2 000

FORSIGTIG:

- Hvis maskinen betjenes uafbrudt ved lave hastigheder, vil motoren blive overbelastet, hvilket vil resultere i, at maskinen fungerer forkert.
- Hastighedsreguleringsknappen kan kun drejes til 5 og tilbage til 1. Forsøg ikke at tvinge den forbi 5 eller 1, da anordningen til regulering af hastigheden kan blive ødelagt.

Maskiner udstyret med elektronisk funktion er nemme at anvende takket være følgende egenskaber.

- **Elektronisk kontrol til konstant hastighed.**

Det er muligt at opnå et fint resultat, da omdrejningshastigheden holdes konstant, selv i belastet tilstand.

- **Blød opstart**

Blød opstart, da startschok undertrykkes.

Høj-Lav hastighedsindstillingsknop (Fig. 3)

Rotationshastigheden kan ændres øjeblikkeligt, mens maskinen kører. Tryk knappen i "I" positionen ned for laveste hastighed, og tryk knappen i position "II" ned til en given talindstilling. Maskinens hastighed kan ikke ændres, mens knappen er trykket ned i "I" position, selv om De drejer hastighedsvælgeren. Når De drejer hastighedsvælgeren, skal De altid sørge for, at knappen er trykket ned i "II" position.

SAMLING

FORSIGTIG:

- Kontroller altid, at maskinen er slået fra, og at netstikket er trukket ud af stikkontakten, før der udføres noget arbejde på maskinen.

Montering af sidegreb (ekstrahåndtag) og afskærmning (Fig. 4 og 5)

FORSIGTIG:

- Sørg altid for, at sidegrebet er monteret forsvarligt, inden arbejdet påbegyndes.

Montrér afskærmningen, og skru derefter sidegrebet godt fast på maskinen. Sidegrebet og afskærmningen kan monteres på begge sider af maskinen.

Montering og afmontering af bagskiven (Fig. 6)

Hold spindlen med nøglen, så den forhindres i at dreje med. Skru derefter slibetallerkenen helt ind på spindlen. (Slibetallerkenen kan bruges til at montere svampepuden, der er ekstratilbehør.)

Ved afmontering af slibetallerkenen følges ovenstående fremgangsmåde i omvendt orden.

Montering og afmontering af svampepude (Fig. 7)

Ved montering af svampepuden skal alt smuds og fremmedlegemer først fjernes fra slibetallerken. Sæt derefter svampepuden på slibetallerken.

Ved afmontering af svampepuden skal den trækkes langsomt og forsigtigt af slibetallerkenen.

Montering og afmontering af polerhætte med snørelukning (Fig. 8, 9 og 10)

Sæt gummibagskiven på spindlen. Skru sikringsmøtrikken på spindlen.

For at stramme låsemøtrikken, skal man holde spindelen med nøglen, så den ikke kan dreje, og derefter anvende tapnøglen til at stramme godt til i retningen med uret.

Sæt polerhætten helt over gummibagskiven og stram snoren. Bind en sløjfe på snøren og stik knuden og løse ender ind mellem polerhætten og gummibagskiven.

Ved afmontering af polerhætten følges ovenstående fremgangsmåde i omvendt orden.

BETJENING

Polering med svampepude (Fig. 11)

FORSIGTIG:

- Bær altid sikkerhedsbriller eller ansigtsskærm under brugen.

Generelt skal svampepuden holdes i en vinkel på omkring 15 grader mod arbejdsemnets overflade.

Polering med polerhætte (Fig. 12)

FORSIGTIG:

- Bær altid sikkerhedsbriller eller ansigtsskærm under brugen.

Hold godt fast i maskinen. Tænd for maskinen og sæt polerhætten ned på arbejdsemnet.

Generelt skal polerhætten holdes i en vinkel på omkring 15 grader mod arbejdsemnets overflade.

Anvend kun et moderat tryk.

Anvendelse af et for stort tryk vil resultere i en dårlig ydelse og en for hurtig nedslidning af polerhætten.

VEDLIGEHOLDELSE

FORSIGTIG:

- Kontroller altid, at maskinen er slået fra, og netledningen taget ud af stikkontakten, inden De udfører inspektion eller vedligeholdelse.

Udskiftning af kul (Fig. 13 og 14)

Udtag og efterse kullene med regelmæssige mellemrum. Udskift kullene, når de er slidt ned til slidmarkeringen. Hold kullene rene og i stand til frit at glide ind i holderne. Begge kul skal udskiftes parvist samtidigt. Anvend kun identiske kulbørster.

Benyt en skruetrækker til at afmontere kulholderdækslerne. Tag de slidte kul ud, isæt de nye og fastgør derefter kulholderdækslerne.

For at opretholde produktets SIKKERHED og PÅLIDELIGHED bør reparation, vedligeholdelse og justering kun udføres af et Makita Service Center med anvendelse af originale Makita udskiftningsdele.

TILBEHØR

FORSIGTIG:

- Det i denne manual specificerede tilbehør og anordninger anbefales til brug sammen med Deres Makita maskine. Brug af andet tilbehør og andre anordninger kan udgøre en risiko for personskade. Anvend kun tilbehør og anordninger til de beskrevne formål.

Hvis De behøver assistance eller yderligere detaljer om dette tilbehør, bedes De kontakte Deres lokale Makita servicecenter.

- Svampepude (Krog & løkke)
- Bagskive 165 (Krog & løkke)
- Polerhætte 180
- Gaffelnøgle 17
- Sidegreb (ekstrahåndtag)

Lyd

Det typiske A-vægtede støjniveau bestemt i overensstemmelse med EN60745:

- Lydtryksniveau (L_{pA}): 81 dB (A)
- Lydeffektniveau: (L_{WA}): 92 dB (A)
- Usikkerhed (K): 3 dB (A)

Bær høreværn.

ENG240-1

Vibration

Vibrations totalværdi (tre-aksial vektorsum) bestemt i overensstemmelse med EN60745:

- Arbejdsindstilling: Polering
- Vibrationsafgivelse ($a_{h,p}$): 2,5 m/s² eller mindre
- Usikkerhed (K): 1,5 m/s²

Hvis maskinen anvendes til andre formål, kan værdierne for vibration være anderledes.

ENG901-1

- Den angivne vibrationsemmissionsværdi er blevet målt i overensstemmelse med standardtestmetoden og kan anvendes til at sammenligne en maskine med en anden.
- Den angivne vibrationsemmissionsværdi kan også anvendes i en preliminær eksponeringsvurdering.

ADVARSEL:

- Vibrationsemmissionen under den faktiske anvendelse af maskinen kan være forskellig fra den erklærede emissionsværdi, afhængigt af den måde, hvorpå maskinen anvendes.
- Sørg for at identificere de sikkerhedsforskrifter til beskyttelse af operatøren, som er baseret på en vurdering af eksponering under de faktiske brugsforhold (med hensyntagen til alle dele i brugscyklen, som f.eks. de gange, hvor maskinen er slukket og når den kører i tomgang i tilgift til afbrydertiden).

Kun for lande i Europa**EU-konformitetserklæring**

Vi, Makita Corporation, erklærer, som den ansvarlige fabrikant, at den (de) følgende Makita maskine(r):

Maskinens betegnelse:

Elektronisk poleremaskine

Model nr./Type: PV7000C

er af serieproduktion og

opfylder betingelserne i de følgende EU-direktiver:

98/37/EC indtil 28. december 2009 og derefter med

2006/42/EC fra 29. december 2009

og er fremstillet i overensstemmelse med de følgende standarder eller standardiserede dokumenter:

EN60745

Den tekniske dokumentation opbevares af vores autoriserede repræsentant i Europa, som er:

Makita International Europe Ltd.

Michigan Drive, Tongwell,

Milton Keynes, MK15 8JD, England

30. januar 2009




Tomoyasu Kato
Direktør

Makita Corporation
3-11-8, Sumiyoshi-cho,
Anjo, Aichi, JAPAN

Περιγραφή γενικής άποψης

1 Αναβοσβήσιμο	6 Πλάγια λαβή	13 Κοχλίας κλειδώματος
2 Μπουτόν σφαιλισματος	7 Βάσεις υποστήριξης	14 Ελαστικό υπόθεμα
3 Καντράν ρύθμισης ταχύτητας	8 Αξόνιο	15 Κλειδί κοχλίας κλειδώματος
4 Κουμπί ρύθμισης υψηλής-χαμηλής ταχύτητας	9 Κλειδί	16 Οριακό μαρκάρισμα
5 Κάλυμμα	10 Σπογγοειδές πέλμα	17 Καπάκι θήκης καρβονάκι
	11 Κεφαλή	18 Κατσαβίδι
	12 Μάλλινο κάλυμμα	

ΤΕΧΝΙΚΑ ΧΑΡΑΚΤΗΡΙΣΤΙΚΑ

Μοντέλο	PV7000C
Μεγ. δυνατότητα Σπογγοειδές πέλμα/Μάλλινο κάλυμμα 180 χιλ.
Σπείρωμα άξονα M14
Ονομαστική ταχύτητα (n) / Ταχύτητα χωρίς φορτίο (n ₀) 600 – 2.000 λεπ ⁻¹
Ολικό μήκος 210 χιλ.
Βάρος καθαρό 2,1 Χγρ.
Κατηγορία ασφάλειας  II

- Λόγω του συνεχιζόμενου προγράμματος έρευνας και ανάπτυξης, οι παρούσες προδιαγραφές υπόκεινται σε αλλαγή χωρίς προειδοποίηση.
- Τα τεχνικά χαρακτηριστικά μπορεί να διαφέρουν από χώρα σε χώρα.
- Βάρος σύμφωνα με διαδικασία ΕΡΤΑ 01/2003

Προοριζόμενη χρήση

Το εργαλείο προορίζεται για στιλβωση, λείανση πριν από τήραξη, φινιρίσμο επιφανειών και αφαίρεση σκουριάς και χρώματος.

Ρευματοδότηση

Το μηχανήμα πρέπει να συνδέεται μόνο σε παροχή ρεύματος της ίδιας τάσης με αυτή που αναφέρεται στην πινακίδα κατασκευαστού και μπορεί να λειτουργήσει μόνο με εναλλασσόμενο μονοφασικό ρεύμα. Τα μηχανήματα αυτά έχουν διπλή μόνωση σύμφωνα με τα Ευρωπαϊκά Πρότυπα και κατά συνέπεια, μπορούν να συνδεθούν σε ακροδέκτες χωρίς σύρμα γείωσης.

GEA010-1

Γενικές προειδοποιήσεις ασφαλείας για το ηλεκτρικό εργαλείο

⚠ ΠΡΟΕΙΔΟΠΟΙΗΣΗ Διαβάστε όλες τις προειδοποιήσεις ασφαλείας και όλες τις οδηγίες. Η μη τήρηση των προειδοποιήσεων και οδηγιών ενδέχεται να καταλήξει σε ηλεκτροπληξία, πυρκαγιά ή/και σοβαρό τραυματισμό.

Φυλάξτε όλες τις προειδοποιήσεις και τις οδηγίες για μελλοντική παραπομπή.

GEB038-2

ΠΡΟΕΙΔΟΠΟΙΗΣΕΙΣ ΑΣΦΑΛΕΙΑΣ ΣΤΙΛΒΩΤΗ

Προειδοποιήσεις ασφαλείας ειδικές εργασιών στιλβωσης:

1. Το παρόν ηλεκτρικό εργαλείο προορίζεται για λειτουργία ως στιλβωτής. Διαβάστε όλες τις προειδοποιήσεις ασφαλείας, οδηγίες, εικονογραφίες και προδιαγραφές που παρέχονται με αυτό το ηλεκτρικό εργαλείο. Αμέλεια να ακολουθήσετε όλες τις οδηγίες που αναγράφονται παρακάτω μπορεί να έχει ως αποτέλεσμα ηλεκτροπληξία, φωτιά και/ή προσωπικό τραυματισμό.

2. Δεν συνιστάται η εκτέλεση εργασιών λείανσης, γυαλοχαρτίσματος, καθαρισμού με συρματοβούρτσα ή κοπής με το παρόν ηλεκτρικό εργαλείο. Λειτουργίες για τις οποίες το ηλεκτρικό αυτό εργαλείο δεν έχει σχεδιαστεί μπορεί να δημιουργήσουν κίνδυνο και να προκαλέσουν προσωπικό τραυματισμό.
3. Μη χρησιμοποιείτε εξαρτήματα που δεν είναι ειδικά σχεδιασμένα και συνιστώμενα από τον κατασκευαστή του εργαλείου. Απλώς και μόνο επειδή το εξάρτημα μπορεί να προσαρτηθεί στο εργαλείο, αυτό δεν εξασφαλίζει ασφαλή λειτουργία.
4. Η αναγραφόμενη ταχύτητα του εξαρτήματος πρέπει να είναι τουλάχιστον ίση με την μέγιστη ταχύτητα που είναι σημειωμένη στο ηλεκτρικό εργαλείο. Εξαρτήματα που λειτουργούν ταχύτερα από την αναγραφόμενη ταχύτητα τους μπορεί να σπάσουν και να εκτοξευθούν.
5. Η εξωτερική διάμετρος και το πάχος του εξαρτήματός σας πρέπει να είναι μέσα στα όρια ικανότητας του εργαλείου σας. Εξαρτήματα μη σωστού μεγέθους δεν μπορούν να επιτηρηθούν ή να ελεγχθούν επαρκώς.
6. Το μέγεθος στελέχους των βάσεων υποστήριξης ή οποιουδήποτε άλλου εξαρτήματος πρέπει να εφαρμόζει στον άξονα του ηλεκτρικού εργαλείου. Εξαρτήματα με τρύπες στελεχών που δεν ταιριάζουν με τον εξοπλισμό εγκατάστασης του ηλεκτρικού εργαλείου θα λειτουργούν χωρίς ισορροπία, θα δονούνται υπερβολικά και μπορεί να προκαλέσουν απώλεια ελέγχου.
7. Μη χρησιμοποιείτε εξαρτήματα που έχουν ζημιές. Πριν από κάθε χρήση ελέγχετε το εξάρτημα όπως π.χ. τις βάσεις υποστήριξης για ρωγμές. Εάν το ηλεκτρικό εργαλείο ή το εξάρτημα πέσει κάτω, ελέγξτε το για ζημιές ή προσαρμόστε ένα εξάρτημα σε καλή κατάσταση. Μετά τον έλεγχο και την προσαρμογή ενός εξαρτήματος, απομακρυνθείτε εσεις και οι γύρω σας από το επίπεδο περιστροφής του εξαρτήματος και λειτουργήστε το ηλεκτρικό εργαλείο σε μέγιστη ταχύτητα χωρίς φορτίο για ένα λεπτό. Εξαρτήματα με ζημιές θα τεθούν κανονικά εκτός λειτουργίας κατά τον χρόνο αυτής της δοκιμής.

8. **Φοράτε προσωπικό προστατευτικό εξοπλισμό.** Ανάλογα με την εφαρμογή, χρησιμοποιείτε ασπίδα προσώπου, προστατευτικά ματιών ή γυαλιά ασφάλειας. Ανάλογα με την περίπτωση, φορέστε μάσκα σκόνης, ωτασπίδες, γάντια και ποδιά εργαστηρίου με ικανότητα προστασίας από μικρά τεμαχίδια. Η προστασία ματιών πρέπει να είναι σε θέση να σταματάει ιπτάμενα σωματίδια παραγόμενα από διάφορες λειτουργίες. Η μάσκα σκόνης ή αναπνευστήρας πρέπει να είναι ικανή να φιλτράρει σωματίδια παραγόμενα από τις λειτουργίες σας. Παρατεταμένη έκθεση σε θόρυβο υψηλής συχνότητας μπορεί να προκαλέσει απώλεια ακοής.
9. **Κρατάτε τους γύρω σας σε μία ασφαλή απόσταση από τον χώρο εργασίας.** Οποιοσδήποτε εισερχόμενος στον χώρο εργασίας πρέπει να φορά προσωπικό προστατευτικό εξοπλισμό. Τεμαχίδια από το αντικείμενο εργασίας ή από ένα σπασμένο εξάρτημα μπορεί να εκτιναχθούν μακριά και να προκαλέσουν τραυματισμό πέραν της άμεσης περιοχής λειτουργίας.
10. **Κρατήστε το καλώδιο μακριά από το περιστρεφόμενο εξάρτημα.** Εάν χάσετε τον έλεγχο, το καλώδιο μπορεί να κοπεί ή να πιαστεί και το χέρι σας μπορεί να τραβηχθεί μέσα στο περιστρεφόμενο εξάρτημα.
11. **Ποτέ μη τοποθετείτε το ηλεκτρικό εργαλείο κάτω μέχρι το εξάρτημα να έχει σταματήσει τελείως.** Το περιστρεφόμενο εξάρτημα μπορεί να πιάσει την επιφάνεια και να τραβήξει το ηλεκτρικό εργαλείο έξω από τον έλεγχο σας.
12. **Μη λειτουργείτε το ηλεκτρικό εργαλείο ενώ το μεταφέρετε στο πλευρό σας.** Τυχαία επαφή με το περιστρεφόμενο εξάρτημα μπορεί να προκαλέσει πιάσιμο στα ρούχα σας και να τραβήξει το εξάρτημα μέσα στο σώμα σας.
13. **Καθαρίζετε τακτικά τις εξόδους αερισμού του ηλεκτρικού εργαλείου.** Ο ανεμιστήρας του κινητήρα θα ταβήξει την σκόνη μέσα στο περίβλημα και υπερβολική συγκέντρωση ρινισμάτων μετάλλου μπορεί να προκαλέσει ηλεκτρικούς κινδύνους.
14. **Μη λειτουργείτε το ηλεκτρικό εργαλείο κοντά σε εύφλεκτα υλικά.** Σπινθήρες μπορεί να αναφλέξουν τα υλικά αυτά.
15. **Μη χρησιμοποιείτε εξαρτήματα που χρειάζονται ψυκτικά υγρά.** Η χρήση νερού ή άλλων ψυκτικών υγρών μπορεί να προκαλέσουν ηλεκτροπληξία ή σοκ.

Οπισθολάκτισμα και σχετικές προειδοποιήσεις

Η ανάκρουση (οπισθολάκτισμα) είναι μία ξαφνική αντίδραση του εργαλείου λόγω σύσφιξης ή σκαλώματος του περιστρεφόμενου τροχού, της βάσης υποστήριξης, της βούρτσας ή τυχόν άλλου εξαρτήματος. Η σύσφιξη ή το σκάλωμα προκαλεί ταχεία απώλεια ελέγχου του περιστρεφόμενου εξαρτήματος το οποίο στη συνέχεια υποχρεώνει το ανεξέλεγκτο ηλεκτρικό εργαλείο σε περιστροφή αντίθετη από εκείνη του εξαρτήματος στο σημείο εμπλοκής.

Το οπισθολάκτισμα είναι αποτέλεσμα κακής χρήσης του ηλεκτρικού εργαλείου και/ή εσφαλμένων χειρισμών ή συνθηκών και μπορεί να αποφευχθεί με τις κατάλληλες προφυλάξεις όπως δίδονται παρακάτω.

- a) **Κρατάτε σταθερά το ηλεκτρικό εργαλείο και τοποθετήστε το σώμα σας και τον βραχίονα έτσι ώστε να ανθίστανται στις δυνάμεις του οπισθολακτίσματος.** Πάντοτε χρησιμοποιείτε την βοηθητική λαβή, εάν παρέχεται για μέγιστο έλεγχο οπισθολακτίσματος ή αντίδρασης ροπής κατά το ξεκίνημα. Ο χειριστής μπορεί να ελέγχει τις αντιδράσεις ροπής ή δυνάμεις οπισθολακτίσματος, εάν έχουν ληφθεί οι κατάλληλες προφυλάξεις.
- b) **Ποτέ μη βάλετε το χέρι σας κοντά στο περιστρεφόμενο εξάρτημα.** Το εξάρτημα μπορεί να οπισθολακτίσει στο χέρι σας.
- c) **Μη τοποθετήσετε το σώμα σας στην περιοχή όπου το ηλεκτρικό εργαλείο θα κινηθεί εάν συμβεί οπισθολάκτισμα.** Το οπισθολάκτισμα θα οδηγήσει το εργαλείο σε διεύθυνση αντίθετη της κίνησης του τροχού στο σημείο εμπλοκής.
- d) **Χρησιμοποιείτε πολύ προσοχή όταν εργάζεστε σε γωνίες, αιχμηρές άκρες κλπ. Αποφεύγετε αναπηδήσεις και εμπλοκές του εξαρτήματος.** Γωνίες, αιχμηρές άκρες ή αναπηδήσεις έχουν τάση να προκαλούν εμπλοκή στο περιστρεφόμενο εξάρτημα και προκαλούν απώλεια ελέγχου και οπισθολάκτισμα.
- e) **Μη προσαρμόζετε λάμα αλυσοπριονίου για ξυλογλυπτική ή λάμα πριονιού με δόντια.** Τέτοιες λάμες προκαλούν συχνό οπισθολάκτισμα και απώλεια ελέγχου.

Προειδοποιήσεις ασφαλείας ειδικά για εργασίες στίλβωσης:

- a) **Φροντίστε να μην περιστρέφεται ελεύθερα κανένα χαλαρό τμήμα του καλύμματος στίλβωσης ή των κορδονιών προσαρμογής του.** Διπλώστε επιμελώς ή ψαλιδίστε τυχόν χαλαρά κορδόνια προσαρμογής. Υπάρχει πιθανότητα εμπλοκής των χαλαρών και περιστρεφόμενων κορδονιών προσαρμογής στα δάχτυλά σας ή στο τεμάχιο εργασίας.

Επιπλέον προειδοποιήσεις ασφαλείας:

16. **Μην αφήνετε το εργαλείο αναμμένο.** Λειτουργείτε το εργαλείο μόνο όταν το κρατάτε στο χέρι.
17. **Να φροντίζετε πάντα ώστε να έχει απενεργοποιηθεί και αποσυνδεθεί το εργαλείο από την παροχή ρεύματος ή να έχει αφαιρεθεί η θήκη μπαταριών πριν από την εκτέλεση οποιασδήποτε εργασίας στο εργαλείο.**
18. **Ελέγξτε ότι το τεμάχιο εργασίας είναι καλά υποστηριγμένο.**
19. **Εάν ο χώρος εργασίας είναι εξαιρετικά ζεστός και υγρός, ή πολύ άσχημα μολυσμένος από αγώγιμη σκόνη, χρησιμοποιείστε ένα βραχυκυκλωτή (30 mA) για να σιγουρέψετε την ασφάλεια του χειριστή.**
20. **Μη χρησιμοποιήσετε το εργαλείο σε οποιαδήποτε υλικά που περιέχουν άβεστο.**
21. **Μη χρησιμοποιείτε νερό ή λιπαντικό λείανσης.**

22. Βεβαιώνετε ότι τα ανοίγματα εξερισμού διατηρούνται καθαρά όταν εργάζεστε σε συνθήκες σκόνης. Εάν γίνει απαραίτητο να καθαρίσετε τη σκόνη, πρώτα αποσυνδέστε το εργαλείο από την παροχή ρεύματος (χρησιμοποιείτε μη μεταλλικά αντικείμενα) και αποφύγετε ζημιές στα εσωτερικά μέρη.

ΦΥΛΑΞΤΕ ΑΥΤΕΣ ΤΙΣ ΟΔΗΓΙΕΣ.

ΠΡΟΕΙΔΟΠΟΙΗΣΗ:

ΜΗΝ επιτρέψετε το βαθμό άνεσης ή εξοικείωσης με το προϊόν (λόγω επανειλημμένης χρήσης) να αντικαταστήσει την αυστηρή τήρηση των κανόνων ασφαλείας του παρόντος εργαλείου. **ΚΑΚΗ ΧΡΗΣΗ** ή αμέλεια να ακολουθήσετε τους κανόνες ασφαλείας που διατυπώνονται σ' αυτό το εγχειρίδιο οδηγιών μπορεί να προκαλέσει σοβαρό προσωπικό τραυματισμό.

ΠΕΡΙΓΡΑΦΗ ΛΕΙΤΟΥΡΓΙΑΣ

ΠΡΟΣΟΧΗ:

- Πάντοτε βεβαιώνετε ότι το εργαλείο είναι σβηστό και αποσυνδεδεμένο από το ρεύμα πριν ρυθμίσετε ή ελέγξετε κάποια λειτουργία στο εργαλείο.

Λειτουργία διακόπτη (Εικ. 1)

ΠΡΟΣΟΧΗ:

- Προτού συνδέσετε το μηχανήμα στο ρεύμα, πάντοτε ελέγχετε να δείτε ότι ο διακόπτης σκανδάλης ενεργοποιεί κανονικά και επιστρέφει στη θέση "OFF" όταν ελευθερώνεται.

Για να ξεκινήσει το μηχανήμα τραβήξτε τη σκανδάλη διακόπτη. Για να σταματήσει ελευθερώστε τη σκανδάλη διακόπτη.

Για συνεχή λειτουργία, τραβήξτε τη σκανδάλη διακόπτη και μετά σπρώξτε μέσα το κουμπί ασφαλίσης.

Για να σταματήσετε το μηχανήμα από τη θέση ασφάλισης, τραβήξτε τη σκανδάλη διακόπτη πλήρως και μετά αφήστε τη.

Καντράν ρύθμισης ταχύτητας (Εικ. 2)

Η ταχύτητα του μηχανήματος μπορεί να αλλάξει γυρίζοντας το καντράν ρύθμισης ταχύτητας σε ένα δεδομένο αριθμό ρύθμισης από το 1 έως το 5.

Υψηλότερη ταχύτητα επιτυγχάνεται όταν το καντράν γυρίσει προς την κατεύθυνση του νούμερου 5, και χαμηλότερη ταχύτητα επιτυγχάνεται όταν το καντράν γυρίσει προς την κατεύθυνση του νούμερου 1.

Αναφερθείτε στον παρακάτω πίνακα για την σχέση μεταξύ της ρύθμισης στο καντράν και της κατά προσέγγιση ταχύτητας του μηχανήματος.

Νούμερο	λεπ-1 (ΣΑΛ)
1 – 2	600 – 800
2 – 3	800 – 1.300
3 – 4	1.300 – 1.800
4 – 5	1.800 – 2.000

ΠΡΟΣΟΧΗ:

- Εάν το εργαλείο λειτουργεί συνεχώς σε χαμηλές ταχύτητες, θα επέλθει υπερφόρτωση του ηλεκτροκινητήρα η οποία θα καταλήξει σε δυσλειτουργία.
- Το καντράν ρύθμισης ταχύτητας μπορεί να ρυθμιστεί μεταξύ του 5 και του 1. Μην το πιέζετε να ξεπεράσει το 5 ή το 1, αλλιώς η λειτουργία ρύθμισης της ταχύτητας μπορεί να χαλάσει.

Τα μηχανήματα που είναι εφοδιασμένα με ηλεκτρονικά συστήματα είναι εύκολα στο χειρισμό εξαιτίας των ακόλουθων χαρακτηριστικών.

• Ηλεκτρονικό στοιχείο ελέγχου σταθερής ταχύτητας

Δυνατότητα επίτευξης λεπτού φινιρίσματος, λόγω της διατήρησης σταθερής ταχύτητας περιστροφής ακόμη και σε συνθήκες φόρτωσης.

• Δυνατότητα ομαλού ξεκινήματος

Ομαλό ξεκίνημα λόγω του μειωμένου σκκ εκκίνησης.

Κουμπί ρύθμισης υψηλής – χαμηλής ταχύτητας (Εικ. 3)

Η ταχύτητα του μηχανήματος μπορεί να αλλάξει αμέσως ενώ το μηχανήμα λειτουργεί. Αποσυμπιέστε την θέση "I" για τη χαμηλότερη ταχύτητα και αποσυμπιέστε τη θέση "II" για ένα δεδομένο αριθμό ρύθμισης. Η ταχύτητα του μηχανήματος δεν μπορεί να αλλάξει όταν το κουμπί είναι στην θέση "I", ακόμη και αν γυρίσετε το καντράν ρύθμισης της ταχύτητας. Όταν γυρίσετε το καντράν ρύθμισης της ταχύτητας, πάντοτε να είστε σίγουροι ότι το κουμπί είναι αποσυμπιεσμένο στην θέση "II".

ΣΥΝΑΡΜΟΛΟΓΗΣΗ

ΠΡΟΕΙΔΟΠΟΙΗΣΗ:

- Πάντοτε βεβαιώνετε ότι το εργαλείο είναι σβηστό και αποσυνδεδεμένο από το ρεύμα πριν εκτελέσετε οποιαδήποτε εργασία με το εργαλείο.

Τοποθέτηση πλάγιας λαβής (βοηθητική λαβή) & κάλυμμα (Εικ. 4 και 5)

ΠΡΟΣΟΧΗ:

- Να ελέγχετε πάντα εάν η πλευρική λαβή έχει τοποθετηθεί με ασφάλεια, πριν από τη χρήση.

Τοποθετήστε το κάλυμμα, κατόπιν βιδώστε την πλάγια λαβή στο εργαλείο με ασφάλεια. Η πλάγια λαβή και το κάλυμμα μπορούν να τοποθετηθούν είτε στη μία είτε στην άλλη πλευρά του εργαλείου.

Τοποθέτηση ή αφαίρεση βάσης υποστήριξης (Εικ. 6)

Κρατείστε την άτρακτο με το κλειδί έτσι ώστε να μην μπορεί να περιστραφεί. Τότε βιδώστε το υπόθεμα στην άτρακτο πλήρως. (Το υπόθεμα μπορεί να χρησιμοποιηθεί για την τοποθέτηση του προαιρετικού σπογγοειδούς πέλματος.)

Για να απομακρύνετε το υπόθεμα, κάνετε την διαδικασία τοποθέτησης αντίστροφα.

Τοποθέτηση ή απομάκρυνση του σπογγοειδούς πέλματος (Εικ. 7)

Για να τοποθετήσετε το σπογγοειδές πέλμα, πρώτα απομακρύνετε όλη την βρωμιά ή ξένα υλικά από το πέλμα. Τοποθετήστε το σπογγοειδές πέλμα στο πέλμα.

Για να απομακρύνετε το σπογγοειδές πέλμα, τραβήξτε το από το πέλμα σιγά-σιγά.

Τοποθέτηση ή απομάκρυνση του μάλλινου καλύμματος (Εικ. 8, 9 και 10)

Τοποθετείστε το ελαστικό υπόθεμα στην άτρακτο. Βιδώστε τον κοχλία κλειδώματος στην άτρακτο.

Για να σφίξετε το περικόχλιο ασφάλισης, συγκρατήστε τον άξονα μετάδοσης της κίνησης με το κλειδί ώστε να μην είναι εφικτή η περιστροφή του, στη συνέχεια χρησιμοποιήστε το κλειδί του περικοχλίου ασφάλισης και σφίξτε κατάλληλα στρέφοντας δεξιόστροφα.

Τοποθετήστε το μάλλινο κάλυμμα πλήρως πάνω στην ελαστική βάση και σφίξτε το κορδόνι. Κάντε ένα κόμπο και μαζέψτε τον κόμπο και όλες τις κλωστές που περισσεύουν μεταξί του μάλλινου καλύμματος και του ελαστικού υποθέματος.

Για να απομακρύνετε το μάλλινο κάλυμμα, κάνετε την διαδικασία τοποθέτησης αντίστροφα.

ΛΕΙΤΟΥΡΓΙΑ

Εργασία στίλβωσης με σπογγοειδές πέλμα (Εικ. 11)

ΠΡΟΣΟΧΗ:

- Πάντοτε να φοράτε γυαλιά προστασίας ή μάσκα προσώπου κατά τη διάρκεια της λειτουργίας.

Γενικώς, κρατήστε το σπογγοειδές πέλμα υπό γωνία 15 μοιρών περίπου ως προς την επιφάνεια του τεμαχίου εργασίας.

Εργασία στίλβωσης με μάλλινο κάλυμμα (Εικ. 12)

ΠΡΟΣΟΧΗ:

- Πάντοτε να φοράτε γυαλιά προστασίας ή μάσκα προσώπου κατά τη διάρκεια της λειτουργίας.

Κρατήστε το εργαλείο σταθερό. Θέστε το εργαλείο σε λειτουργία και στη συνέχεια κατεργαστείτε το τεμάχιο εργασίας με το μάλλινο κάλυμμα.

Γενικώς, κρατήστε το μάλλινο κάλυμμα υπό γωνία 15 μοιρών περίπου ως προς την επιφάνεια του τεμαχίου εργασίας.

Ασκήστε ελαφρά πίεση μόνο. Η υπερβολική πίεση θα καταλήξει σε κακή απόδοση και πρόωρη φθορά του μάλλινου καλύμματος.

ΣΥΝΤΗΡΗΣΗ

ΠΡΟΣΟΧΗ:

- Πάντοτε βεβαιώνετε ότι το εργαλείο είναι σβηστό και αποσυνδεδεμένο από το ρεύμα πριν επιχειρήσετε να εκτελέσετε επιθεώρηση ή συντήρηση.

Αντικατάσταση ψηκτρών άνθρακα (Εικ. 13 και 14)

Αφαιρείτε και ελέγχετε τις ψηκτρες άνθρακα τακτικά. Αντικαθιστάτε τις όταν φθαρούν μέχρι το σημάδι ορίου. Κρατάτε τις ψηκτρες άνθρακα καθαρές και ελεύθερες να γλυστρούν στις θήκες. Και οι δύο ψηκτρες άνθρακα πρέπει να αντικαθίστανται ταυτόχρονα. Χρησιμοποιείτε μόνο ταυτόσημες ψηκτρες άνθρακα.

Χρησιμοποιείτε ένα κατασβίδι για να αφαιρέσετε τα καπάκια των θηκών των ψηκτρών. Αφαιρέστε τις φθαρμένες ψηκτρες, βάλτε τις νέες και ασφαλίστε τα καπάκια των θηκών των ψηκτρών.

Για διατήρηση της ΑΣΦΑΛΕΙΑΣ και ΑΞΙΟΠΙΣΤΙΑΣ του προϊόντος, επισκευές, οποιαδήποτε συντήρηση ή ρυθμίσεις πρέπει να εκτελούνται από Κέντρα Εξυπηρέτησης Εξουσιοδοτημένα από την Μάκιτα, με χρήση πάντοτε ανταλλακτικών Μάκιτα.

ΕΞΑΡΤΗΜΑΤΑ

ΠΡΟΣΟΧΗ:

- Αυτά τα εξαρτήματα ή προσαρτήματα συνιστώνται για χρήση με το εργαλείο Μάκιτα που περιγράφηκε στις οδηγίες αυτές. Η χρήση οτιδήποτε άλλων εξαρτημάτων ή προσαρτημάτων μπορεί να προκαλέσει κίνδυνο τραυματισμού σε άτομα. Χρησιμοποιείτε τα εξαρτήματα ή προσαρτήματα μόνο για την χρήση που προορίζονται.

Εάν χρειάζεστε οποιαδήποτε βοήθεια για περισσότερες πληροφορίες σε σχέση με αυτά τα εξαρτήματα, αποτανθείτε στο τοπικό σας κέντρο εξυπηρέτησης Μάκιτα.

- Σπογγοειδές πέλμα (άγκιστρο & βρόχος)
- Υπόθεμα υποστήριξης 165 (άγκιστρο & βρόχος)
- Μάλλινο κάλυμμα 180
- Κλειδί 17
- Πλάγια λαβή (βοηθητική λαβή)

ENG102-3

Θόρυβος

Το τυπικό Α επίπεδο μετρημένου θορύβου καθορίζεται σύμφωνα με το EN60745:

Επίπεδο πίεσης θορύβου (L_{pA}): 81 dB(A)

Επίπεδο δύναμης ήχου (L_{WA}): 92 dB(A)

Αβεβαιότητα (K): 3 dB (A)

Φοράτε ωτοασπίδες.

ENG240-1

Κραδασμός

Η ολική τιμή δόνησης (άθροισμα τρι-αξονικού διανύσματος) καθορίζεται σύμφωνα με το EN60745:

Είδος εργασίας: στίλβωση

Εκπομπή δόνησης ($a_{h,p}$): 2,5 m/s² ή λιγότερο

Αβεβαιότητα (K): 1,5 m/s²

Εάν το εργαλείο χρησιμοποιείται για άλλες εφαρμογές, το εύρος τιμών των κραδασμών ενδέχεται να είναι διαφορετικό.

- Η δηλωμένη τιμή εκπομπής κραδασμών έχει μετρηθεί σύμφωνα με την πρότυπη μέθοδο δοκιμής και μπορεί να χρησιμοποιηθεί για τη σύγκριση ενός εργαλείου με άλλο.
- Η δηλωμένη τιμή εκπομπής κραδασμών μπορεί να χρησιμοποιηθεί και στην προκαταρκτική αξιολόγηση έκθεσης.

ΠΡΟΕΙΔΟΠΟΙΗΣΗ:

- Η εκπομπή κραδασμών κατά τη χρήση του ηλεκτρικού εργαλείου σε πραγματικές συνθήκες μπορεί να διαφέρει από τη δηλωμένη τιμή εκπομπής ανάλογα με τον τρόπο χρήσης του εργαλείου.
- Φροντίστε να λάβετε τα κατάλληλα μέτρα προστασίας του χειριστή βάσει υπολογισμού της έκθεσης σε πραγματικές συνθήκες χρήσης (λαμβάνοντας υπόψη όλες τις συνιστώσες του κύκλου λειτουργίας όπως τους χρόνους που το εργαλείο είναι εκτός λειτουργίας και όταν βρίσκεται σε αδρανή λειτουργία πέραν του χρόνου ενεργοποίησης).

ENH101-13

Μόνο για χώρες της Ευρώπης

Δήλωση Συμμόρφωσης ΕΚ

Η Makita Corporation, ως ο υπεύθυνος κατασκευαστής, δηλώνει ότι το/τα ακόλουθο(α) μηχάνημα(τα) της Makita:

Χαρακτηρισμός μηχανήματος:

Ηλεκτρονικός σιλβωτής

Αρ. μοντέλου/ Τύπος: PV7000C

είναι εν σειρά παραγωγή και

συμμορφώνονται με τις ακόλουθες Ευρωπαϊκές Οδηγίες:

98/37/ΕΚ έως 28 Δεκεμβρίου 2009 και ακολούθως με την 2006/42/ΕΚ από 29 Δεκεμβρίου 2009

και κατασκευάζονται σύμφωνα με τα ακόλουθα πρότυπα ή έγγραφα τυποποίησης:

EN60745

Η τεχνική τεκμηρίωση φυλάσσεται από τον εξουσιοδοτημένο εκπρόσωπό μας στην Ευρώπη, δηλαδή τη

Makita International Europe Ltd.

Michigan Drive, Tongwell,

Milton Keynes, MK15 8JD, England (Αγγλία)

30 Ιανουαρίου 2009



Tomoyasu Kato

Διευθυντής

Makita Corporation

3-11-8, Sumiyoshi-cho,

Anjo, Aichi, JAPAN

Makita Corporation

Anjo, Aichi, Japan

884356F994