



## FOR PERFECT RESULTS

Thank you for choosing this AEG product. We have created it to give you impeccable performance for many years, with innovative technologies that help make life simpler – features you might not find on ordinary appliances. Please spend a few minutes reading to get the very best from it.

## ACCESSORIES AND CONSUMABLES

In the AEG webshop, you'll find everything you need to keep all your AEG appliances looking spotless and working perfectly. Along with a wide range of accessories designed and built to the high quality standards you would expect, from specialist cookware to cutlery baskets, from bottle holders to delicate laundry bags...



Visit the webshop at:  
[www.aeg.com/shop](http://www.aeg.com/shop)

# CONTENTS

4	Safety information
6	Operation
7	First use
7	Daily use
9	Helpful hints and tips
11	Care and cleaning
13	What to do if...
15	Technical data
15	Installation
20	Noises
22	Environmental concerns

The following symbols are used in this user manual:



Important information concerning your personal safety and information on how to avoid damaging the appliance.



General information and tips



Environmental information

Subject to change without notice



## SAFETY INFORMATION

In the interest of your safety and to ensure the correct use, before installing and first using the appliance, read this user manual carefully, including its hints and warnings. To avoid unnecessary mistakes and accidents, it is important to ensure that all people using the appliance are thoroughly familiar with its operation and safety features. Save these instructions and make sure that they remain with the appliance if it is moved or sold, so that everyone using it through its life will be properly informed on appliance use and safety. For the safety of life and property keep the precautions of these user's instructions as the manufacturer is not responsible for damages caused by omission.

### Children and vulnerable people safety

- This appliance is not intended for use by persons (including children) with reduced physical, sensory or mental capabilities, or lack of experience and knowledge, unless they have been given supervision or instruction concerning use of the appliance by a person responsible for their safety.

Children should be supervised to ensure that they do not play with the appliance.

- Keep all packaging well away from children. There is risk of suffocation.
- If you are discarding the appliance pull the plug out of the socket, cut the connection cable (as close to the appliance as you can) and remove the door to prevent playing children to suffer electric shock or to close themselves into it.
- If this appliance featuring magnetic door seals is to replace an older appliance having a spring lock (latch) on the door or lid, be sure to make that spring lock unusable before you discard the old appliance. This will prevent it from becoming a death trap for a child.

### General safety



#### WARNING!

Keep ventilation openings, in the appliance enclosure or in the built-in structure, clear of obstruction.

- The appliance is intended for keeping foodstuff and/or beverages in a normal household as explained in this instruction booklet.
- Do not use a mechanical device or any artificial means to speed up the thawing process.
- Do not use other electrical appliances (such as ice cream makers) inside of refrigerating appliances, unless they are approved for this purpose by the manufacturer.
- Do not damage the refrigerant circuit.
- The refrigerant isobutane (R600a) is contained within the refrigerant circuit of the appliance, a natural gas with a high level of environmental compatibility, which is nevertheless flammable.

During transportation and installation of the appliance, be certain that none of the components of the refrigerant circuit become damaged.

If the refrigerant circuit should become damaged:

- avoid open flames and sources of ignition

- thoroughly ventilate the room in which the appliance is situated
- It is dangerous to alter the specifications or modify this product in any way. Any damage to the cord may cause a short-circuit, fire and/or electric shock.

**WARNING!**

Any electrical component (power cord, plug, compressor) must be replaced by a certified service agent or qualified service personnel to avoid hazard.

1. Power cord must not be lengthened.
  2. Make sure that the power plug is not squashed or damaged by the back of the appliance. A squashed or damaged power plug may overheat and cause a fire.
  3. Make sure that you can come to the mains plug of the appliance.
  4. Do not pull the mains cable.
  5. If the power plug socket is loose, do not insert the power plug. There is a risk of electric shock or fire.
  6. You must not operate the appliance without the lamp cover<sup>1)</sup> of interior lighting.
- This appliance is heavy. Care should be taken when moving it.
  - Do not remove nor touch items from the freezer compartment if your hands are damp/wet, as this could cause skin abrasions or frost/freezer burns.
  - Avoid prolonged exposure of the appliance to direct sunlight.
  - Bulb lamps<sup>2)</sup> used in this appliance are special purpose lamps selected for household appliances use only. They are not suitable for household room illumination.

## Daily Use

- Do not put hot pot on the plastic parts in the appliance.
- Do not store flammable gas and liquid in the appliance, because they may explode.
- Do not place food products directly against the air outlet on the rear wall.<sup>3)</sup>
- Frozen food must not be re-frozen once it has been thawed out.
- Store pre-packed frozen food in accordance with the frozen food manufacturer's instructions.
- Appliance's manufacturers storage recommendations should be strictly adhered to. Refer to relevant instructions.
- Do not place carbonated or fizzy drinks in the freezer compartment as it creates pressure on the container, which may cause it to explode, resulting in damage to the appliance.
- Ice lollies can cause frost burns if consumed straight from the appliance.

## Care and cleaning

- Before maintenance, switch off the appliance and disconnect the mains plug from the mains socket.
- Do not clean the appliance with metal objects.
- Do not use sharp objects to remove frost from the appliance. Use a plastic scraper.

1) If the lamp cover is foreseen.

2) If the lamp is foreseen.

3) If the appliance is Frost Free.

- Regularly examine the drain in the refrigerator for defrosted water. If necessary, clean the drain. If the drain is blocked, water will collect in the bottom of the appliance.

## Installation



For electrical connection carefully follow the instructions given in specific paragraphs.


- Unpack the appliance and check if there are damages on it. Do not connect the appliance if it is damaged. Report possible damages immediately to the place you bought it. In that case retain packing.
- It is advisable to wait at least four hours before connecting the appliance to allow the oil to flow back in the compressor.
- Adequate air circulation should be around the appliance, lacking this leads to overheating. To achieve sufficient ventilation follow the instructions relevant to installation.
- Wherever possible the back of the product should be against a wall to avoid touching or catching warm parts (compressor, condenser) to prevent possible burn.
- The appliance must not be located close to radiators or cookers.
- Make sure that the mains plug is accessible after the installation of the appliance.
- Connect to potable water supply only. <sup>4)</sup>

## Service

- Any electrical work required to do the servicing of the appliance should be carried out by a qualified electrician or competent person.
- This product must be serviced by an authorized Service Centre, and only genuine spare parts must be used.

## Environment Protection



This appliance does not contain gasses which could damage the ozone layer, in either its refrigerant circuit or insulation materials. The appliance shall not be discarded together with the urban refuse and rubbish. The insulation foam contains flammable gases: the appliance shall be disposed according to the applicable regulations to obtain from your local authorities. Avoid damaging the cooling unit, especially at the rear near the heat exchanger. The materials used on this appliance marked by the symbol  are recyclable.

## OPERATION

### Switching on

Insert the plug into the wall socket.

Turn the Temperature regulator clockwise to a medium setting.

### Switching off

To turn off the appliance, turn the Temperature regulator to the "0" position.

<sup>4)</sup> If a water connection is foreseen.

## Temperature regulation

The temperature is automatically regulated.

To operate the appliance, proceed as follows:

- turn the Temperature regulator toward lower settings to obtain the minimum coldness.
- turn the Temperature regulator toward higher settings to obtain the maximum coldness.



A medium setting is generally the most suitable.

However, the exact setting should be chosen keeping in mind that the temperature inside the appliance depends on:

- room temperature
- how often the door is opened
- the quantity of food stored
- the location of the appliance.



If the ambient temperature is high or the appliance is fully loaded, and the appliance is set to the lowest temperatures, it may run continuously causing frost to form on the rear wall. In this case the dial must be set to a higher temperature to allow automatic defrosting and therefore reduced energy consumption.

## FIRST USE

### Cleaning the interior

Before using the appliance for the first time, wash the interior and all internal accessories with lukewarm water and some neutral soap so as to remove the typical smell of a brand-new product, then dry thoroughly.



Do not use detergents or abrasive powders, as these will damage the finish.

## DAILY USE

### Freezing fresh food

The freezer compartment is suitable for freezing fresh food and storing frozen and deep-frozen food for a long time.

To freeze fresh foods it is not necessary to change the medium setting.

However, for a faster freezing operation, turn the temperature regulator toward higher settings to obtain the maximum coldness.



In this condition, the refrigerator compartment temperature might drop below 0°C. If this occurs reset the temperature regulator to a warmer setting.

### Storage of frozen food

When first starting-up or after a period out of use, before putting the products in the compartment let the appliance run at least 2 hours on the higher settings.



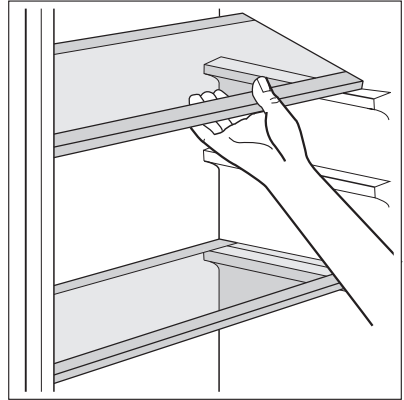
In the event of accidental defrosting, for example due to a power failure, if the power has been off for longer than the value shown in the technical characteristics chart under "rising time", the defrosted food must be consumed quickly or cooked immediately and then re-frozen (after cooling).

## Thawing

Deep-frozen or frozen food, prior to being used, can be thawed in the refrigerator compartment or at room temperature, depending on the time available for this operation. Small pieces may even be cooked still frozen, directly from the freezer: in this case, cooking will take longer.

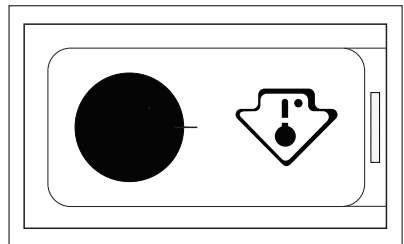
## Movable shelves

The walls of the refrigerator are equipped with a series of runners so that the shelves can be positioned as desired.



this appliance is sold in France.

In accordance with regulations valid in this country it must be provided with a special device (see figure) placed in the lower compartment of the fridge to indicate the coldest zone of it.

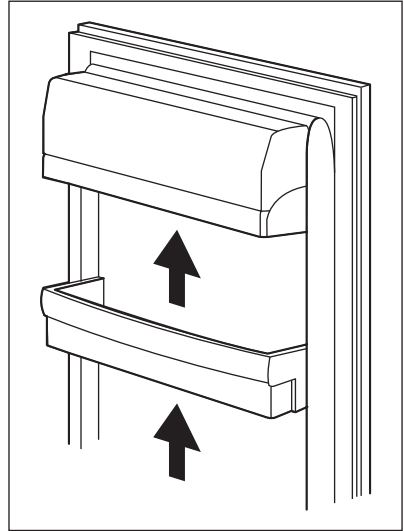




## Positioning the door shelves

To permit storage of food packages of various sizes, the door shelves can be placed at different heights.

To make these adjustments proceed as follows: gradually pull the shelf in the direction of the arrows until it comes free, then reposition as required.



## HELPFUL HINTS AND TIPS

### Normal Operating Sounds

- You may hear a faint gurgling and a bubbling sound when the refrigerant is pumped through the coils or tubing. This is correct.
- When the compressor is on, the refrigerant is being pumped around and you will hear a whirring sound and a pulsating noise from the compressor. This is correct.
- The thermic dilatation might cause a sudden cracking noise. It is natural, not dangerous physical phenomenon. This is correct.
- When the compressor switches on or switches off, you will hear a faint "click" of the temperature regulator. This is correct.

### Hints for energy saving

- Do not open the door frequently or leave it open longer than absolutely necessary.
- If the ambient temperature is high and the Temperature Regulator is set to low temperature and the appliance is fully loaded, the compressor may run continuously, causing frost or ice on the evaporator. If this happens, set the Temperature Regulator toward warmer settings to allow automatic defrosting and so a saving in electricity consumption.

### Hints for fresh food refrigeration

To obtain the best performance:

- do not store warm food or evaporating liquids in the refrigerator
- do cover or wrap the food, particularly if it has a strong flavour

- position food so that air can circulate freely around it

## Hints for refrigeration

Useful hints:

Meat (all types) : wrap in polythene bags and place on the glass shelf above the vegetable drawer.

For safety, store in this way only one or two days at the most.

Cooked foods, cold dishes, etc.: these should be covered and may be placed on any shelf.

Fruit and vegetables: these should be thoroughly cleaned and placed in the special drawer(s) provided.

Butter and cheese: these should be placed in special airtight containers or wrapped in aluminium foil or polythene bags to exclude as much air as possible.

Milk bottles: these should have a cap and should be stored in the bottle rack on the door.

Bananas, potatoes, onions and garlic, if not packed, must not be kept in the refrigerator.

## Hints for freezing

To help you make the most of the freezing process, here are some important hints:

- the maximum quantity of food which can be frozen in 24 hrs. is shown on the rating plate;
- the freezing process takes 24 hours. No further food to be frozen should be added during this period;
- only freeze top quality, fresh and thoroughly cleaned, foodstuffs;
- prepare food in small portions to enable it to be rapidly and completely frozen and to make it possible subsequently to thaw only the quantity required;
- wrap up the food in aluminium foil or polythene and make sure that the packages are airtight;
- do not allow fresh, unfrozen food to touch food which is already frozen, thus avoiding a rise in temperature of the latter;
- lean foods store better and longer than fatty ones; salt reduces the storage life of food;
- water ices, if consumed immediately after removal from the freezer compartment, can possibly cause the skin to be freeze burnt;
- it is advisable to show the freezing in date on each individual pack to enable you to keep tab of the storage time.

## Hints for storage of frozen food

To obtain the best performance from this appliance, you should:

- make sure that the commercially frozen foodstuffs were adequately stored by the retailer;
- be sure that frozen foodstuffs are transferred from the foodstore to the freezer in the shortest possible time;
- not open the door frequently or leave it open longer than absolutely necessary.
- Once defrosted, food deteriorates rapidly and cannot be refrozen.
- Do not exceed the storage period indicated by the food manufacturer.

## CARE AND CLEANING



### CAUTION!

Unplug the appliance before carrying out any maintenance operation.



This appliance contains hydrocarbons in its cooling unit; maintenance and recharging must therefore only be carried out by authorized technicians.

### Periodic cleaning

The equipment has to be cleaned regularly:

- clean the inside and accessories with lukewarm water and some neutral soap.
- regularly check the door seals and wipe clean to ensure they are clean and free from debris.
- rinse and dry thoroughly.



Do not pull, move or damage any pipes and/or cables inside the cabinet.

Never use detergents, abrasive powders, highly perfumed cleaning products or wax polishes to clean the interior as this will damage the surface and leave a strong odour.

Clean the condenser (black grill) and the compressor at the back of the appliance with a brush. This operation will improve the performance of the appliance and save electricity consumption.



Take care of not to damage the cooling system.

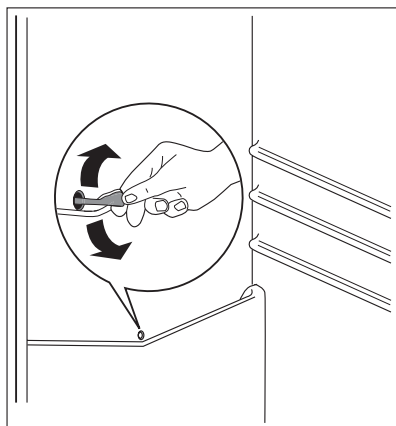
Many proprietary kitchen surface cleaners contain chemicals that can attack/damage the plastics used in this appliance. For this reason it is recommended that the outer casing of this appliance is only cleaned with warm water with a little washing-up liquid added.

After cleaning, reconnect the equipment to the mains supply.

### Defrosting of the refrigerator

Frost is automatically eliminated from the evaporator of the refrigerator compartment every time the motor compressor stops, during normal use. The defrost water drains out through a trough into a special container at the back of the appliance, over the motor compressor, where it evaporates.

It is important to periodically clean the defrost water drain hole in the middle of the refrigerator compartment channel to prevent the water overflowing and dripping onto the food inside. Use the special cleaner provided, which you will find already inserted into the drain hole.



## Defrosting the freezer

**i** A certain amount of frost will always form on the freezer shelves and around the top compartment.

**!** Defrost the freezer when the frost layer reaches a thickness of about 3-5 mm.

To remove the frost, do these steps:

1. Switch off the appliance.
2. Remove any stored food, wrap it in several layers of newspaper and put it in a cool place.
3. Leave the door open.
4. When defrosting is completed, dry the interior thoroughly and refit the plug.
5. Switch on the appliance.
6. Set the temperature regulator to obtain the maximum coldness and run the appliance for two or three hours using this setting.
7. Reload the previously removed food into the compartment.

**!** Never use sharp metal tools to scrape off frost from the evaporator as you could damage it. Do not use a mechanical device or any artificial means to speed up the thawing process other than those recommended by the manufacturer. A temperature rise of the frozen food packs, during defrosting, may shorten their safe storage life.

## Periods of non-operation

When the appliance is not in use for long periods, take the following precautions:

1. disconnect the appliance from electricity supply
2. remove all food
3. defrost and clean the appliance and all accessories
4. leave the door/doors open to prevent unpleasant smells.



If the cabinet will be kept on, ask somebody to check it once in a while to prevent the food inside from spoiling in case of a power failure.

## WHAT TO DO IF...



### WARNING!

Before troubleshooting, disconnect the mains plug from the mains socket.

Only a qualified electrician or competent person must do the troubleshooting that is not in this manual.



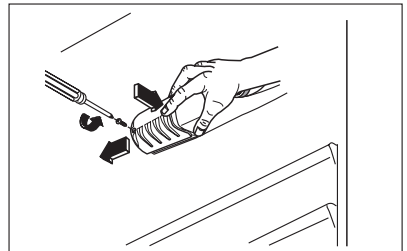
There are some sounds during normal use (compressor, refrigerant circulation).

Problem	Possible cause	Solution
The appliance is noisy	The appliance is not supported properly	Check if the appliance stands stable (all the four feet should be on the floor)
The appliance does not operate. The lamp does not operate.	The appliance is switched off.	Switch on the appliance.
	The mains plug is not connected to the mains socket correctly.	Connect the mains plug to the mains socket correctly.
	The appliance has no power. There is no voltage in the mains socket.	Connect a different electrical appliance to the mains socket. Contact a qualified electrician.
The lamp does not work.	The lamp is in stand-by.	Close and open the door.
	The lamp is defective.	Refer to "Replacing the lamp".
The compressor operates continually.	The temperature is not set correctly.	Set a higher temperature.
	The door is not closed correctly.	Refer to "Closing the door".
	The door has been opened too frequently.	Do not keep the door open longer than necessary.
	The product temperature is too high.	Let the product temperature decrease to room temperature before storage.
	The room temperature is too high.	Decrease the room temperature.
Water flows on the rear plate of the refrigerator.	During the automatic defrosting process, frost defrosts on the rear plate.	This is correct.
Water flows into the refrigerator.	The water outlet is clogged.	Clean the water outlet.
	Products prevent that water flows into the water collector.	Make sure that products do not touch the rear plate.

Problem	Possible cause	Solution
Water flows on the ground.	The melting water outlet does not flow in the evaporative tray above the compressor.	Attach the melting water outlet to the evaporative tray.
The temperature in the appliance is too low.	The temperature regulator is not set correctly.	Set a higher temperature.
The temperature in the appliance is too high.	The temperature regulator is not set correctly.	Set a lower temperature.
	The door is not closed correctly.	Refer to "Closing the door".
	The product temperature is too high.	Let the product temperature decrease to room temperature before storage.
	Many products are stored at the same time.	Store less products at the same time.
The temperature in the refrigerator is too high.	There is no cold air circulation in the appliance.	Make sure that there is cold air circulation in the appliance.
The temperature in the freezer is too high.	Products are too near to each other.	Store products so that there is cold air circulation.
There is too much frost.	Food is not wrapped correctly.	Wrap the food correctly.
	The door is not closed correctly.	Refer to "Closing the door".
	The temperature regulator is not set correctly.	Set a higher temperature.

## Replacing the lamp

1. Disconnect the mains plug from the mains socket.
2. Remove the screw from the lamp cover.
3. Remove the lamp cover (refer to the illustration).
4. Replace the used lamp with a new lamp of the same power and specifically designed for household appliances. (the maximum power is shown on the lamp cover).
5. Install the lamp cover.
6. Tighten the screw to the lamp cover.
7. Connect the mains plug to the mains socket.
8. Open the door. Make sure that the lamp comes on.



## Closing the door

1. Clean the door gaskets.
2. If necessary, adjust the door. Refer to "Installation".
3. If necessary, replace the defective door gaskets. Contact the Service Center.

## TECHNICAL DATA

Dimension		
	Height	850 mm
	Width	595 mm
	Depth	635 mm
Rising Time		11 h
Voltage		230 V
Frequency		50 Hz

The technical information are situated in the rating plate on the internal left side of the appliance and in the energy label.

## INSTALLATION



### WARNING!

Read the "Safety Information" carefully for your safety and correct operation of the appliance before installing the appliance.

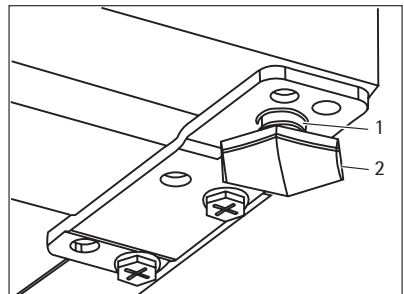
### Positioning

This appliance can be installed in a dry, well ventilated indoor (garage or cellar) also, but for optimum performance install this appliance at a location where the ambient temperature corresponds to the climate class indicated on the rating plate of the appliance:

Climate class	Ambient temperature
SN	+10°C to + 32°C
N	+16°C to + 32°C
ST	+16°C to + 38°C
T	+16°C to + 43°C

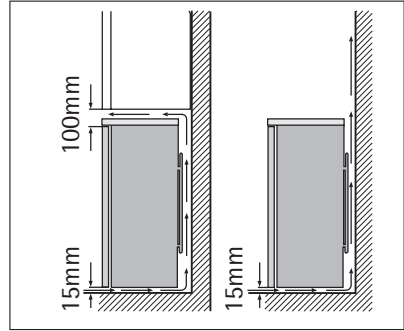
### Levelling

When placing the appliance ensure that it stands level. This can be achieved by two adjustable feet at the bottom in front (2). If necessary adjust the feet by removing the spacer (1).



## Location

The appliance should be installed well away from sources of heat such as radiators, boilers, direct sunlight etc. Ensure that air can circulate freely around the back of the cabinet. To ensure best performance, if the appliance is positioned below an overhanging wall unit, the minimum distance between the top of the cabinet and the wall unit must be at least 100 mm. Ideally, however, the appliance should not be positioned below overhanging wall units. Accurate levelling is ensured by one or more adjustable feet at the base of the cabinet. If the cabinet is placed in a corner and the side with the hinges facing the wall, the distance between the wall and the cabinet must be at least 10 mm to allow the door to open enough so that the shelves can be removed.



### WARNING!

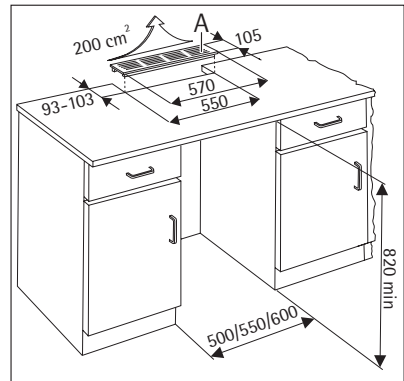
It must be possible to disconnect the appliance from the mains power supply; the plug must therefore be easily accessible after installation.

## Installing under a continuous worktop

If your refrigerator is installed under a continuous worktop, an air outlet opening of at least 200cm<sup>2</sup> and a ventilation grille matching the worktop design should be installed at the rear of the worktop.

The cut surfaces of the worktop should be varnished to avoid swelling due to penetration of moisture.

The appliance wall distance must be at least 30 mm and should be checked before the ventilation grille is inserted.

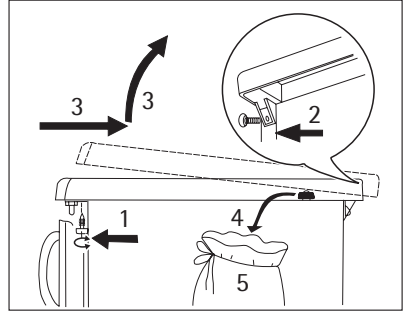




## Detaching the worktop

To remove the worktop, please proceed as follows:

1. Unscrew left and right screws at the front.
2. Unscrew left and right screws at the back.
3. Lift the worktop slightly at the front, push back about 20 mm and lift off from the front.
4. Unscrew left and right screws at the back.
5. Store the screws in a safe place together with the worktop.



## Fitting and mounting to continuous worktop

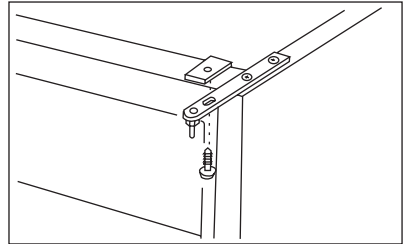
Before fitting, change the door opening direction if necessary (see: Door reversibility).

Push the appliance carefully into the niche.

Take care that the mains cable is not jammed in. Check distance from wall (see: Installing under a continuous worktop).

Level the appliance by screwing the two adjustable feet at the front in or out, thus ensuring a stable position.

With a suitable screws (depending on the design of the worktop and the distance between the appliance and the worktop, not supplied), fix the appliance under the worktop through the upper door hinge. If necessary, equalise the gap between the door hinge and the worktop with a suitable washer (plastic or wood, not supplied). This will prevent bending of the hinge and possible failure of door function.



## Door reversibility

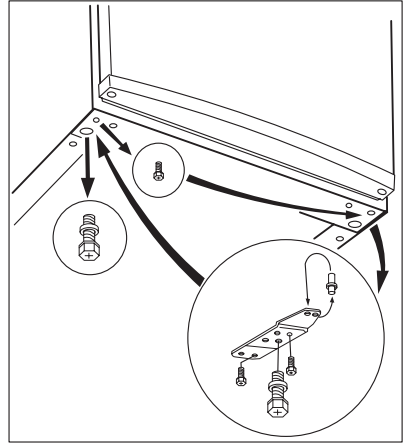


To carry out the following operations, we suggest that this be made with another person that will keep a firm hold on the doors of the appliance during the operations.

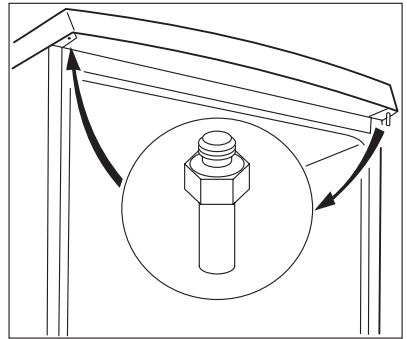
To change the opening direction of the door, do these steps:

1. Remove the plug from the power socket.
2. Tilt back the appliance carefully so that the compressor cannot touch the floor.

3. Unscrew both adjustable feet.
4. Unscrew the screws of the door bottom hinge.
5. Take off the appliance door by pulling it slightly downwards.



6. Unscrew the top door hinge pin of the appliance then screw it back on the other side.
7. Fit the appliance door on the upper door hinge pin.
8. Remove the lower hinge. Put over the pin in the direction of the arrow.
9. Unscrew and install the screw on the opposite side.
10. Install the lower hinge on the opposite side leaving the position of the door unchanged.
11. Screw in the one screw in the place set free on the other side as well as the adjustable feet (2 pieces).
12. Remove and install the handle<sup>5)</sup> on the opposite side.
13. Reposition, level the appliance, wait for at least four hours and then connect it to the power socket.

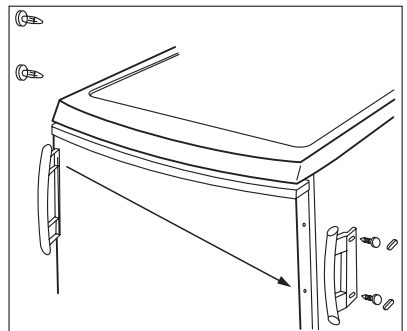


Do a final check to make sure that:

- All screws are tightened.
- The door opens and closes correctly.

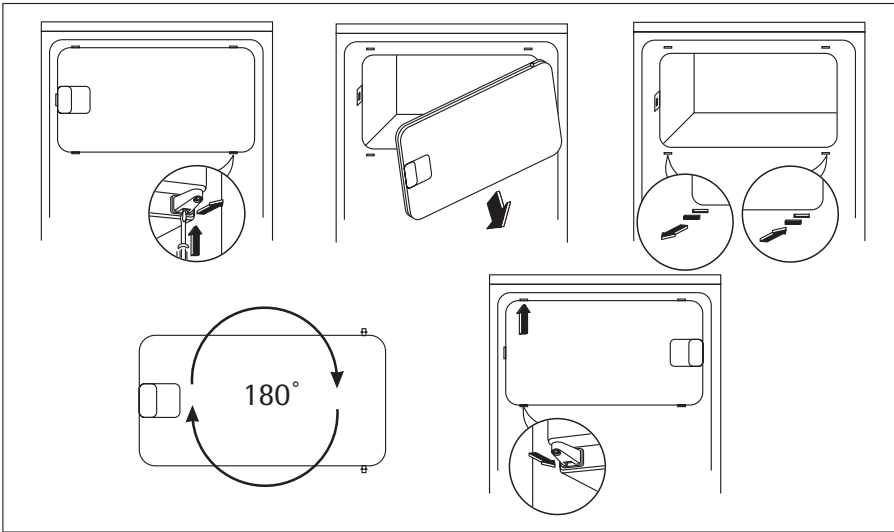
If the ambient temperature is cold (i.e. in Winter), the gasket may not fit perfectly to the cabinet. In that case, wait for the natural fitting of the gasket.

In case you do not want to carry out the above mentioned operations, contact the nearest After Sales Service Force. The After Sales Service specialist will carry out the reversibility of the doors at your cost.



5) If foreseen

## Reversibility of the freezer door



## Plug socket

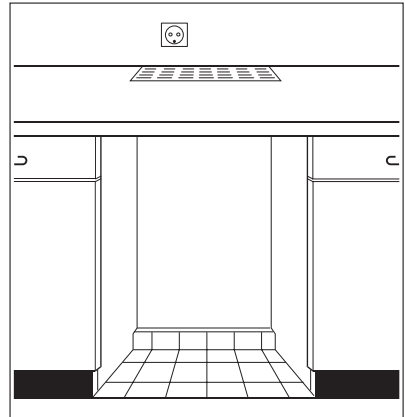


### CAUTION!

Make sure that the mains cable can move freely.

The plug socket necessary for connection of your appliance to the electricity supply should be positioned so that it is possible to pull out the appliance plug.

If your appliance is installed under a continuous worktop, the plug socket should be provided as shown.



## Electrical connection

Before plugging in, ensure that the voltage and frequency shown on the rating plate correspond to your domestic power supply.

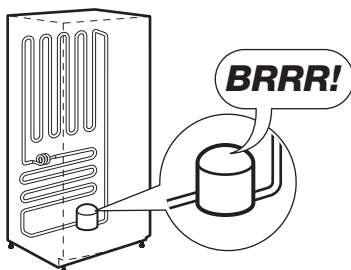
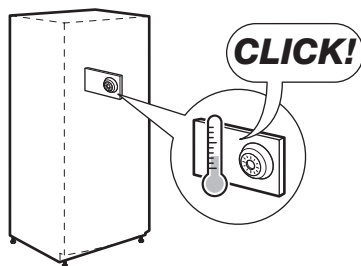
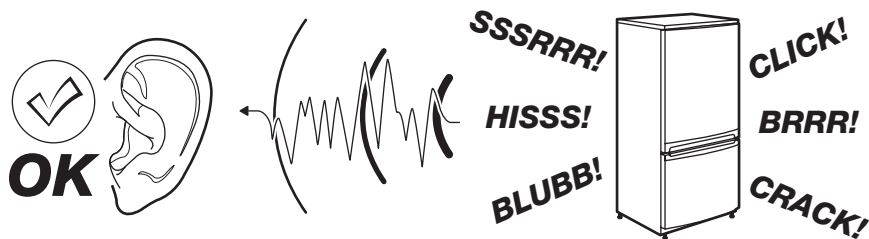
The appliance must be earthed. The power supply cable plug is provided with a contact for this purpose. If the domestic power supply socket is not earthed, connect the appliance to a separate earth in compliance with current regulations, consulting a qualified electrician.

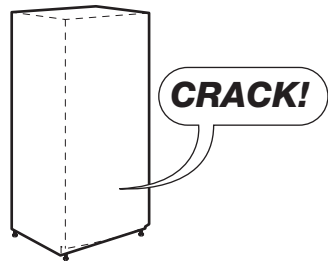
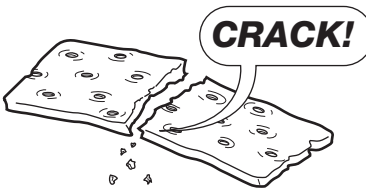
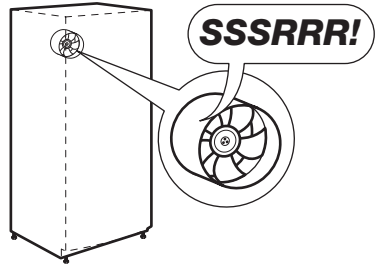
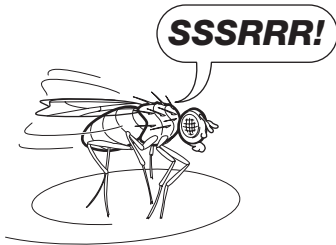
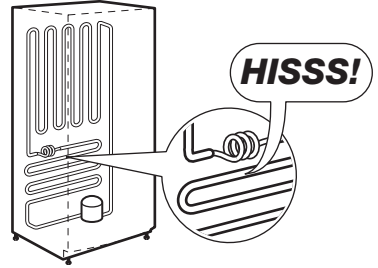
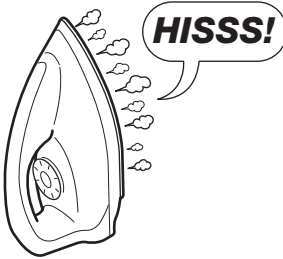
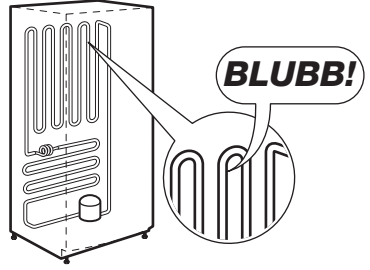
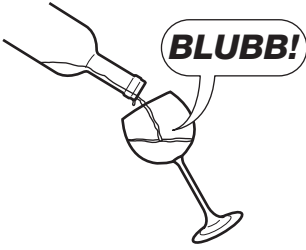
The manufacturer declines all responsibility if the above safety precautions are not observed.

This appliance complies with the E.E.C. Directives.


## NOISES

There are some sounds during normal running (compressor, refrigerant circulation).





## ENVIRONMENTAL CONCERNS

The symbol  on the product or on its packaging indicates that this product may not be treated as household waste. Instead it should be taken to the appropriate collection point for the recycling of electrical and electronic equipment. By ensuring this product is disposed of correctly, you will help prevent potential negative consequences for the environment and human health, which could otherwise be caused by inappropriate waste handling of this product. For more detailed information about recycling of this product, please contact your local council, your household waste disposal service or the shop where you purchased the product.

## FÜR PERFEKTE ERGEBNISSE

Danke, dass Sie sich für dieses AEG Produkt entschieden haben. Wir haben es geschaffen, damit Sie viele Jahre von seiner ausgezeichneten Leistung und den innovativen Technologien, die Ihnen das Leben erleichtern, profitieren können. Es ist mit Funktionen ausgestattet, die in gewöhnlichen Geräten nicht vorhanden sind. Nehmen Sie sich ein paar Minuten Zeit zum Lesen, um seine Vorzüge kennen zu lernen.

## ZUBEHÖR UND VERBRAUCHSMATERIALIEN

Im AEG Webshop finden Sie alles, was Sie für ein makelloses Aussehen und perfektes Funktionieren Ihrer AEG Geräte benötigen. Wir bieten auch ein umfangreiches Zubehörsortiment, das Ihre höchsten Qualitätsansprüche erfüllt, vom Profi-Kochgeschirr bis zu Besteckkörben, von Flaschenhaltern bis hin zu Wäschebeuteln für empfindliche Wäsche...



Besuchen Sie den Webshop unter  
[www.aeg.com/shop](http://www.aeg.com/shop)

# INHALT

25	Sicherheitshinweise
28	Betrieb
28	Erste Inbetriebnahme
29	Täglicher Gebrauch
30	Praktische Tipps und Hinweise
32	Reinigung und Pflege
34	Was tun, wenn ...
37	Technische Daten
37	Montage
42	Geräusche
44	Hinweise zum Umweltschutz

In dieser Benutzerinformation werden folgende Symbole verwendet:



Wichtige Hinweise zur Sicherheit von Personen und Informationen zur Vermeidung von Geräteschäden



Allgemeine Hinweise und Ratschläge



Hinweise zum Umweltschutz

Änderungen vorbehalten





## SICHERHEITSHINWEISE

Lesen Sie zu Ihrer Sicherheit und für die optimale Geräteanwendung vor der Installation und dem Gebrauch des Gerätes die vorliegende Benutzerinformation aufmerksam durch, einschließlich der Ratschläge und Warnungen. Es ist wichtig, dass zur Vermeidung von Fehlern und Unfällen alle Personen, die das Gerät benutzen, mit der Bedienung und den Sicherheitsvorschriften vertraut sind. Heben Sie die Benutzerinformation gut auf und übergeben Sie sie bei einem Weiterverkauf des Gerätes dem neuen Besitzer, so dass jeder während der gesamten Lebensdauer des Gerätes über Gebrauch und Sicherheit informiert ist. Halten Sie sich zu Ihrer Sicherheit und zum Schutz Ihres Eigentums strikt an die Vorsichtsmaßnahmen der vorliegenden Benutzerinformation, da der Hersteller bei Missachtung derselben von jeder Haftung freigestellt ist.

### Sicherheit von Kindern und hilfsbedürftigen Personen

- Das Gerät darf von Personen (einschließlich Kindern), deren physische, sensorische Fähigkeiten und deren Mangel an Erfahrung und Kenntnissen einen sicheren Gebrauch des Gerätes ausschließen nur unter Aufsicht oder nach ausreichender Einweisung durch eine verantwortungsbewusste Person benutzt werden, die sicherstellt, dass sie sich der Gefahren des Gebrauchs bewusst sind.

Kinder müssen beaufsichtigt werden, damit sie nicht am Gerät herumspielen können.

- Halten Sie das Verpackungsmaterial unbedingt von Kindern fern. Erstickungsgefahr!
- Ziehen Sie vor der Entsorgung des Gerätes den Netzstecker, schneiden Sie das Netzkabel (so nah wie möglich am Gerät) ab und entfernen Sie die Tür, so dass spielende Kinder vor elektrischem Schlag geschützt sind und sich nicht in dem Gerät einschließen können.
- Wenn dieses Gerät mit magnetischer Türdichtung ein älteres Modell mit Schnappverschluss (Türflasche) an der Tür oder auf dem Deckel ersetzt, machen Sie den Schnappverschluss vor dem Entsorgen des Altgerätes unbrauchbar. So verhindern Sie, dass das Gerät nicht zu einer Todesfalle für Kinder wird.

### Allgemeine Sicherheitshinweise



#### WARNUNG!

Achten Sie darauf, dass die Belüftungsöffnungen im Gehäuse um das Gerät oder in der Einbaunische nicht blockiert sind.

- Das Gerät ist für die Aufbewahrung von Lebensmitteln und/oder Getränken in einem normalen Haushalt bestimmt, wie in der vorliegenden Gebrauchsanweisung beschrieben wird.
- Benutzen Sie keine mechanischen oder sonstigen Hilfsmittel, um den Abtauprozess zu beschleunigen.
- Verwenden Sie keine anderen Elektrogeräte (wie Speiseeisbereiter) in Kühlgeräten, wenn solche Geräte nicht ausdrücklich vom Hersteller für diesen Zweck zugelassen sind.
- Achten Sie darauf, den Kältekreislauf nicht zu beschädigen.
- Das Kältemittel Isobutan (R600a) im Kältekreislauf des Gerätes ist ein natürliches und sehr umweltfreundliches Gas, das jedoch leicht entflammbar ist.

Achten Sie beim Transport und bei der Aufstellung des Gerätes darauf, nicht die Komponenten des Kältekreislaufs zu beschädigen.

Bei einer eventuellen Beschädigung des Kältekreislaufs:

- Offene Flammen und Zündfunken vermeiden
- Den Raum, in dem das Gerät installiert ist, gut lüften
- Technische und anderweitige Änderungen am Gerät sind gefährlich. Ein defektes Netzkabel kann Kurzschlüsse und einen Brand verursachen und/oder zu Stromschlägen führen.



### **WARNUNG!**

Elektrische Bauteile (Netzkabel, Stecker, Kompressor) dürfen zur Vermeidung von Gefahren nur vom Kundendienst oder einer Fachkraft ausgewechselt werden.

1. Das Netzkabel darf nicht verlängert werden.
  2. Vergewissern Sie sich, dass der Netzstecker nicht von der Geräterückseite gequetscht oder beschädigt wird. Ein gequetschter oder beschädigter Netzstecker überhitzt und kann einen Brand verursachen.
  3. Vergewissern Sie sich, dass der Netzstecker des Geräts frei zugänglich ist.
  4. Ziehen Sie nicht am Netzkabel.
  5. Stecken Sie den Netzstecker nie in eine lockere Steckdose. Es besteht Brand- und Stromschlaggefahr.
  6. Betreiben Sie das Gerät nicht ohne Lampenabdeckung<sup>6)</sup> der Innenbeleuchtung.
- Dieses Gerät ist schwer. Vorsicht beim Transport.
  - Entnehmen oder berühren Sie nie mit nassen/feuchten Händen Tiefkühlgut, da dies zu Hautverletzungen oder Kälteverbrennungen führen kann.
  - Das Gerät nicht über eine längere Zeit direkter Sonneneinstrahlung aussetzen.
  - Die Leuchtmittel<sup>7)</sup> für dieses Gerät sind Speziallampen, die ausschließlich für Haushaltsgeräte geeignet sind. Sie eignen sich nicht zur Raumbeleuchtung.

### **Täglicher Gebrauch**

- Stellen Sie keine heißen Töpfe auf die Kunststoffteile des Gerätes.
- Lagern Sie keine feuergefährlichen Gase oder Flüssigkeiten in dem Gerät. Explosionsgefahr.
- Legen Sie Lebensmittel nicht direkt vor den Luftauslass auf der Rückwand.<sup>8)</sup>
- Ein aufgetautes Produkt darf nicht wieder eingefroren werden.
- Abgepackte Tiefkühlkost immer entsprechend den Herstellerangaben aufbewahren.
- Die Lagerempfehlungen des Geräteherstellers sollten strikt eingehalten werden. Halten Sie sich an die betreffenden Anweisungen.
- Keine kohlenensäurehaltigen Getränke oder Sprudel in den Tiefkühlschrank stellen, da der Druckanstieg in den Behältern zur Explosion führen und das Gerät beschädigen kann.
- Eis am Stiel kann Kälteverbrennungen verursachen, wenn es direkt nach der Entnahme aus dem Gefrierschrank gegessen wird.

6) Falls Lampenabdeckung vorhanden.

7) Falls Lampe vorhanden.

8) Wenn das Gerät mit dem Frost-Free-System ausgestattet ist.

## Reinigung und Pflege

- Schalten Sie vor Wartungsarbeiten immer das Gerät ab und ziehen Sie den Netzstecker aus der Steckdose.
- Reinigen Sie das Gerät nicht mit Metallgegenständen.
- Keine scharfen Gegenstände zum Entfernen von Reif und Eis im Gerät verwenden. Verwenden Sie einen Kunststoffschaber.
- Kontrollieren Sie den Tauwasserabfluss im Kühlraum in regelmäßigen Abständen. Reinigen Sie den Ablauf, falls nötig. Bei verstopftem Wasserabfluss sammelt sich das Wasser auf dem Boden des Geräts an.

## Montage



Halten Sie sich für den elektrischen Anschluss strikt an die Anweisungen der betreffenden Abschnitte.

- Kontrollieren Sie nach dem Auspacken das Gerät auf eventuelle Beschädigungen. Nehmen Sie das Gerät nicht in Betrieb, wenn es beschädigt ist. Melden Sie die Schäden umgehend dem Händler, bei dem Sie es erworben haben. Bewahren Sie in diesem Fall die Verpackung auf.
- Lassen Sie das Gerät mindestens vier Stunden stehen, bevor Sie es elektrisch anschließen, damit das Öl in den Kompressor zurückfließen kann.
- Ausreichenden Freiraum zur Luftzirkulation um das Gerät lassen; anderenfalls besteht Überhitzungsgefahr. Halten Sie sich für die Belüftung an die Installationsanweisungen.
- Das Gerät sollte zur Vermeidung von Verbrennungen durch Berührung von heißen Bauteilen (Kompressor, Kondensator) möglichst mit der Rückseite gegen eine Wand aufgestellt werden.
- Das Gerät darf nicht in der Nähe von Heizkörpern oder Kochern installiert werden.
- Vergewissern Sie sich, dass der Netzstecker des Gerätes nach der Installation frei zugänglich ist.
- Verbinden Sie das Gerät ausschließlich mit einer Trinkwasserzuleitung.<sup>9)</sup>

## Kundendienst

- Sollte die Wartung des Gerätes elektrische Arbeiten verlangen, so dürfen diese nur von einem qualifizierten Elektriker oder einem Elektro-Fachmann durchgeführt werden.
- Wenden Sie sich für Reparaturen und Wartung nur an Fachkräfte der autorisierten Kundendienststellen und verlangen Sie stets Original-Ersatzteile.

## Umweltschutz



Das Gerät enthält im Kältekreis oder in dem Isoliermaterial keine ozonschädigenden Gase. Das Gerät darf nicht wie normaler Hausmüll entsorgt werden. Die Isolierung enthält entzündliche Gase: das Gerät muss gemäß den geltenden Vorschriften entsorgt werden; sie erhalten diese bei Ihrer Gemeindeverwaltung. Nicht das Kälteaggregat beschädigen, insbesondere nicht in der Nähe des Wärmetauschers. Die Materialien, die bei der Herstellung dieses Geräts verwendet wurden und mit dem Symbol ♻️ markiert sind, können recycelt werden.

<sup>9)</sup> Falls ein Wasseranschluss erforderlich ist.

## BETRIEB

### Einschalten des Geräts

Stecken Sie den Stecker in die Wandsteckdose.  
Drehen Sie den Temperaturregler im Uhrzeigersinn auf eine mittlere Einstellung.

### Ausschalten des Geräts

Drehen Sie den Temperaturregler zum Ausschalten des Geräts in die Position "0".

### Temperaturregelung

Die Temperatur wird automatisch geregelt.  
Bedienen Sie das Gerät wie folgt:

- drehen Sie den Temperaturregler auf eine niedrigere Einstellung, um die minimal mögliche Kühlung zu erreichen.
- drehen Sie den Temperaturregler auf eine höhere Einstellung, um die maximal mögliche Kühlung zu erreichen.



eine mittlere Einstellung ist im Allgemeinen am besten geeignet.

Allerdings muss für eine exakte Einstellung berücksichtigt werden, dass die Temperatur im Innern des Gerätes von verschiedenen Faktoren abhängt:

- von der Raumtemperatur
- von der Häufigkeit der Türöffnung
- von der Menge der eingelagerten Lebensmittel
- und vom Standort des Geräts.



Ist die Umgebungstemperatur hoch oder das Gerät voll beladen, dieses aber auf die niedrigste Temperatur eingestellt, so kann es bei andauerndem Betrieb des Geräts an der Rückwand zu Frostbildung kommen. In diesem Fall muss eine höhere Temperatur gewählt werden, die ein automatisches Abtauen ermöglicht und damit auch einen niedrigeren Energieverbrauch.

## ERSTE INBETRIEBNAHME

### Reinigung des Innenraums

Bevor Sie das Gerät in Betrieb nehmen, beseitigen Sie den typischen "Neugeruch" am besten durch Auswaschen der Innenteile mit lauwarmem Wasser und einem neutralen Reinigungsmittel. Sorgfältig nachtrocknen.



Verwenden Sie keine Reinigungsmittel oder Scheuerpulver, da hierdurch die Oberfläche beschädigt wird.

## TÄGLICHER GEBRAUCH

### Einfrieren frischer Lebensmittel

Das Gefrierfach eignet sich zum Einfrieren von frischen Lebensmitteln und zum Lagern von gefrorenen und tiefgefrorenen Lebensmitteln für einen längeren Zeitraum.

Für das Einfrieren frischer Lebensmittel ist eine Änderung der mittleren Einstellung nicht erforderlich.

Möchten Sie den Gefriervorgang beschleunigen, drehen Sie bitte den Temperaturregler auf eine höhere Einstellung, um die maximal mögliche Kühlung zu erreichen.



In diesem Fall kann die Temperatur im Kühlschrank unter 0°C fallen. Ist dies der Fall, drehen Sie den Temperaturregler auf eine wärmere Einstellung.

### Lagerung gefrorener Produkte

Lassen Sie das Gerät vor der ersten Inbetriebnahme oder nach einer Zeit, in der das Gerät nicht benutzt wurde, mindestens zwei Stunden lang auf den höheren Einstellungen laufen, bevor Sie Lebensmittel in das Gefrierfach hinein legen.



Kam es zum Beispiel durch einen Stromausfall, der länger dauerte als der in der Tabelle mit den technischen Daten angegebene Wert (siehe "Ausfalldauer") zu einem ungewollten Auftauen, dann müssen die aufgetauten Lebensmittel sehr rasch verbraucht oder sofort gekocht und (nach dem Abkühlen) erneut eingefroren werden.

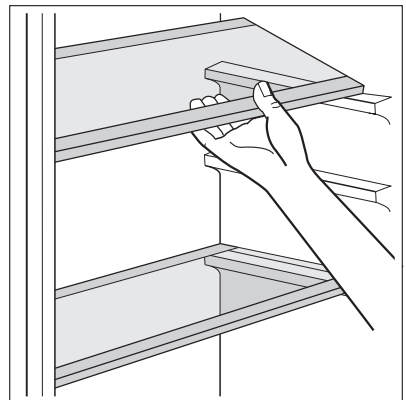
### Auftauen

Tiefgefrorene oder gefrorene Lebensmittel können vor der Verwendung je nach der zur Verfügung stehenden Zeit im Kühlschrank oder bei Raumtemperatur aufgetaut werden.

Kleinere Gefriergutteile können unter Umständen sogar direkt aus dem Gefrierschrank entnommen und anschließend sofort gekocht oder gegart werden: in diesem Fall dauert der Garvorgang allerdings etwas länger.

### Verstellbare Ablagen/Einsätze

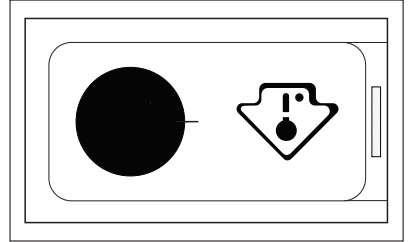
Die Wände des Kühlschranks sind mit einer Anzahl von Führungsschienen ausgestattet, die verschiedene Möglichkeiten für das Einsetzen der Ablagen bieten.





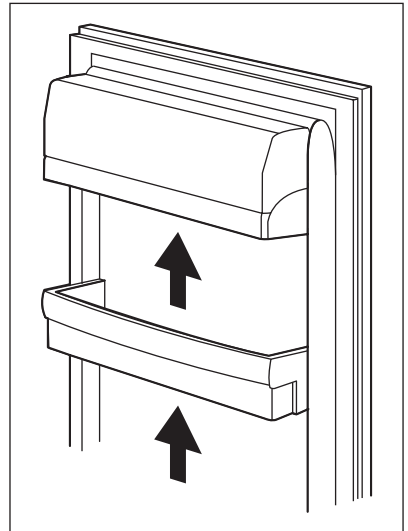
Das Gerät wird in Frankreich verkauft.

Entsprechend den Vorschriften in diesem Land muss das Gerät mit einer speziellen Vorrichtung ausgestattet sein (siehe Abbildung), die im unteren Fach des Kühlraums angebracht ist und den kältesten Bereich des Kühlraums anzeigt.



## Positionierung der Türeinsätze

Die Türeinsätze können in verschiedener Höhe positioniert werden; damit ermöglichen sie das Lagern verschieden großer Lebensmittelpackungen. Gehen Sie dazu wie folgt vor:  
Ziehen Sie den Einsatz langsam in in Pfeilrichtung, bis er sich herausheben lässt, und setzen Sie ihn dann nach Wunsch wieder ein.



## PRAKTISCHE TIPPS UND HINWEISE

### Normale Betriebsgeräusche

- Unter Umständen ist ein leichtes Gurgeln und Blubbern zu hören, wenn das Kältemittel durch die Leitungen gepumpt wird. Das ist normal.
- Bei eingeschaltetem Kompressor wird das Kältemittel umgewälzt und Sie hören ein Surren und ein pulsierendes Geräusch vom Kompressor. Das ist normal.
- Die thermische Ausdehnung kann ein plötzliches Krachen verursachen. Das ist eine natürliche und nicht gefährliche physikalische Erscheinung. Das ist normal.
- Beim Ein- oder Ausschalten des Kompressors ist ein leises "Klicken" des Temperaturreglers zu hören. Das ist normal.

## Energiespartipps

- Öffnen Sie die Tür nicht zu häufig, und lassen Sie diese nicht länger offen als unbedingt notwendig.
- Wenn die Umgebungstemperatur hoch ist und der Temperaturregler auf eine niedrige Temperatur eingestellt und das Gerät voll beladen ist, kann es zu andauerndem Betrieb des Kompressors und damit zu Reif- oder Eisbildung am Verdampfer kommen. Stellen Sie in diesem Fall den Temperaturregler auf eine höhere Einstellung ein, die ein automatisches Abtauen und damit auch einen niedrigeren Energieverbrauch ermöglicht.

## Hinweise für die Kühlung frischer Lebensmittel

So erzielen Sie beste Ergebnisse:

- Legen Sie bitte keine warmen Lebensmittel oder dampfende Flüssigkeiten in den Kühlschrank.
- Decken Sie die Lebensmittel ab oder verpacken Sie diese entsprechend, besonders wenn diese stark riechen.
- Legen Sie die Lebensmittel so hinein, dass um sie Luft frei zirkulieren kann.

## Hinweise für die Kühlung

Tipps:

Fleisch (alle Sorten): wickeln Sie Fleisch in lebensmittelechte Tüten und legen Sie diese auf die Glasablage über der Gemüseschublade.

Bitte lagern Sie Fleisch aus Sicherheitsgründen nur einen oder maximal zwei Tage auf diese Weise.

Gekochte Lebensmittel, kalte Gerichte usw.: diese können abgedeckt auf eine Ablage gelegt werden.

Obst und Gemüse: bitte waschen Sie Obst und Gemüse gründlich und legen Sie es in die speziell dafür vorgesehene(n) Schublade(n).

Butter und Käse: diese sollten stets in speziellen luftdichten Behältern verpackt sein oder in Aluminiumfolie bzw. in lebensmittelechte Tüten eingepackt werden, um so wenig Luft wie möglich in der Verpackung zu haben.

Milchflaschen: bitte bewahren Sie Milchflaschen stets mit Deckel im Flaschenregal in der Tür auf.

Bananen, Kartoffeln, Zwiebeln und Knoblauch sollten nicht im Kühlschrank aufbewahrt werden, außer diese sind dafür speziell verpackt.

## Hinweise zum Einfrieren

Im Folgenden finden Sie einige wertvolle Tipps für einen optimalen Gefriervorgang:

- die maximale Menge an Lebensmitteln, die innerhalb von 24 Stunden eingefroren werden kann, ist auf dem Typschild angegeben;
- der Gefriervorgang dauert 24 Stunden. Legen Sie während dieses Zeitraums keine weiteren einzufrierenden Lebensmittel in das Gefrierfach;
- frieren Sie ausschließlich frische und gründlich gewaschene Lebensmittel von sehr guter Qualität ein;
- teilen Sie die Lebensmittel in kleinere Portionen ein, damit diese schnell und vollständig gefrieren und Sie später nur die Menge auftauen müssen, die Sie gerade benötigen;

- die einzufrierenden Lebensmittelportionen sollten stets luftdicht in Aluminiumfolie oder in lebensmittelechte Gefrierbeutel verpackt werden, um so wenig Luft wie möglich in der Verpackung zu haben;
- achten Sie beim Hineinlegen von frischen, noch ungefrorenen Lebensmitteln darauf, dass diese keinen Kontakt mit Gefriergut bekommen, da dieses sonst antauen kann;
- weniger fetthaltige Lebensmittel lassen sich besser lagern als fetthaltigere; Salz verkürzt die Lagerzeit von Lebensmitteln im Gefrierfach;
- werden Gefrierwürfel direkt nach der Entnahme aus dem Gefrierfach verwendet, können Sie zu Frostbrand auf der Haut führen;
- es empfiehlt sich, das Einfrierdatum auf jeder einzelnen Packung zu notieren, um einen genauen Überblick über die Lagerzeit zu haben.

## Hinweise zur Lagerung gefrorener Produkte

So erzielen Sie die besten Ergebnisse mit Ihrem Gerät:

- Prüfen Sie sorgfältig, dass die im Handel erworbenen gefrorenen Lebensmittel sachgerecht gelagert wurden.
- Achten Sie unbedingt darauf, die eingekauften gefrorenen Lebensmittel in der kürzest möglichen Zeit in Ihren Gefrierschrank zu bringen.
- Öffnen Sie die Tür nicht zu häufig, und lassen Sie diese nicht länger offen als unbedingt notwendig.
- Abgetaute Lebensmittel verderben sehr schnell und eignen sich nicht für ein erneutes Einfrieren.
- Das Haltbarkeitsdatum auf der Tiefkühlkostverpackung sollte nicht überschritten werden.

## REINIGUNG UND PFLEGE



### VORSICHT!

Ziehen Sie bitte vor jeder Reinigungsarbeit immer den Netzstecker aus der Steckdose.



Der Kältekreis des Gerätes enthält Kohlenwasserstoffe; Wartungsarbeiten und Nachfüllen von Kältemittel dürfen daher nur durch vom Hersteller autorisiertes Fachpersonal ausgeführt werden.

## Regelmäßige Reinigung

Der gesamte Kühlschrank muss regelmäßig gereinigt werden:

- Reinigen Sie die Innenseiten und die Zubehörteile mit lauwarmem Wasser und etwas Neutralseife.
- Prüfen und säubern Sie die Türdichtungen in regelmäßigen Abständen und kontrollieren Sie, dass diese sauber und frei von Verunreinigungen sind.
- Spülen und trocknen Sie diese sorgfältig ab.





Ziehen Sie nicht an Leitungen und/oder Kabeln im Innern des Kühlschranks und achten Sie darauf, diese nicht zu verschieben oder zu beschädigen.

Benutzen Sie zur Reinigung des Innenraums keinesfalls Putzmittel, Scheuerpulver, stark parfümierte Reinigungsmittel oder Wachspolituren, da diese die Oberfläche des Innenraums beschädigen und einen starken Eigengeruch hinterlassen können.

Reinigen Sie den Kondensator (schwarzes Gitter) und den Kompressor auf der Geräterückseite mit einer Bürste. Dadurch verbessert sich die Leistung des Geräts und es verbraucht weniger Strom.



Bitte achten Sie darauf, das Kühlsystem nicht zu beschädigen.

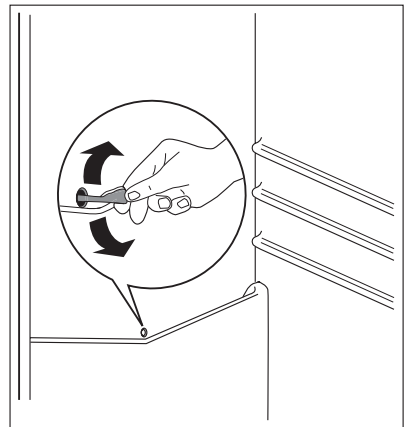
Viele Haushaltsreiniger für Küchen enthalten Chemikalien, die den im Gerät verwendeten Kunststoff angreifen können. Aus diesem Grund ist es empfehlenswert, das Gerät außen nur mit warmem Wasser und etwas flüssigem TellerSpülmittel zu reinigen.

Schließen Sie das Gerät nach der Reinigung wieder an die Netzversorgung an.

## Abtauen des Kühlschranks

Bei normalem Betrieb wird Frost bei jedem Anhalten des Motorkompressors automatisch aus dem Verdampfer des Kühlschranks entfernt. Das Tauwasser läuft durch eine Rinne in einen speziellen Behälter an der Rückseite des Geräts über dem Motorkompressor, wo es verdampft.

Reinigen Sie deshalb regelmäßig die Abflussöffnung des Tauwassers in der Mitte des Kühlschrankkanals, damit das Wasser nicht überfließt und auf die gelagerten Lebensmittel tropft. Benutzen Sie dazu bitte das mitgelieferte Reinigungswerkzeug, das sich bereits in der Ablauföffnung befindet.



## Abtauen des Gefrierschranks



Auf den Ablagen des Gefrierschranks und im Innern des oberen Fachs wird sich stets etwas Reif bilden.



Tauen Sie den Gefrierschrank ab, wenn die Reifschicht eine Stärke von etwa 3 bis 5 mm erreicht hat.

Entfernen Sie den Reif wie nachstehend erläutert:

1. Schalten Sie das Gerät aus.

2. Nehmen Sie das gesamte Gefriergut heraus, verpacken Sie es in mehrere Schichten Zeitungspapier und lagern Sie es an einem kühlen Ort.
3. Lassen Sie die Tür offen.
4. Ist das Geräteinnere vollständig abgetaut, trocken Sie die nassen Oberflächen gründlich ab und setzen Sie den Stopfen wieder ein.
5. Schalten Sie das Gerät ein.
6. Drehen Sie den Temperaturregler auf eine höhere Einstellung, um die maximal mögliche Kühlung zu erreichen, und lassen Sie das Gerät zwei bis drei Stunden mit dieser Einstellung laufen.
7. Legen Sie die ausgelagerten Lebensmittel wieder in das Fach hinein.



Verwenden Sie bitte niemals scharfe Gegenstände zum Entfernen von Reif und Eis vom Verdampfer, da dieser dadurch beschädigt werden könnte. Benutzen Sie keine mechanischen oder sonstigen Hilfsmittel, um den Abtauprozess zu beschleunigen; halten Sie sich dazu ausschließlich an die Angaben des Geräteherstellers. Ein Temperaturanstieg des Gefrierguts während des Abtauens des Gerätes kann die Lagerzeit dieser Lebensmittel verkürzen.

## Stillstandzeiten

Bei längerem Stillstand des Geräts müssen Sie folgendermaßen vorgehen:

1. Trennen Sie das Gerät von der Netzversorgung.
2. Entnehmen Sie alle Lebensmittel.
3. Tauen Sie das Gerät ab; reinigen Sie den Innenraum und das gesamte Zubehör.
4. Lassen Sie die Türen offen, um das Entstehen unangenehmer Gerüche zu vermeiden.



Möchten Sie bei einer längeren Abwesenheit das Gerät weiter laufen lassen, bitten Sie jemanden, gelegentlich die Temperatur zu prüfen, damit das Gefriergut bei einem möglichen Stromausfall nicht im Innern des Geräts verdirbt.

## WAS TUN, WENN ...



### WARNUNG!

Ziehen Sie vor der Fehlersuche immer den Netzstecker aus der Steckdose.

Die Fehlersuche, die in der vorliegenden Gebrauchsanweisung nicht beschrieben ist, darf nur von einem qualifizierten Elektriker oder einer kompetenten Person durchgeführt werden.



Während das Gerät in Betrieb ist, entstehen bestimmte Geräusche (Kompressor und Kühlkreislauf).

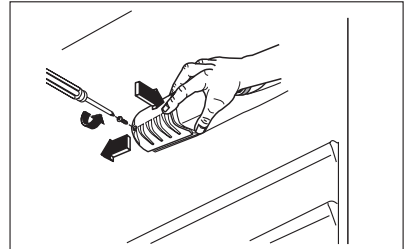
Störung	Mögliche Ursache	Abhilfe
Das Gerät ist zu laut	Unebenheiten im Boden sind durch Unterlegen nicht ausgeglichen worden	Kontrollieren Sie, ob eventuelle Unebenheiten der Standfläche korrekt ausgeglichen wurden, so dass alle vier Füße fest auf dem Boden stehen

Störung	Mögliche Ursache	Abhilfe
Das Gerät funktioniert nicht. Die Lampe funktioniert nicht.	Das Gerät ist abgeschaltet.	Schalten Sie das Gerät ein.
	Der Netzstecker steckt nicht richtig in der Steckdose.	Stecken Sie den Netzstecker richtig in die Steckdose.
	Das Gerät bekommt keinen Strom. Es liegt keine Spannung an der Netzsteckdose an.	Testen Sie bitte, ob ein anderes Gerät an dieser Steckdose funktioniert. Kontaktieren Sie gegebenenfalls einen qualifizierten Elektriker.
Die Lampe funktioniert nicht.	Die Lampe ist im Standby-Modus.	Öffnen und schließen Sie die Tür.
	Die Lampe ist defekt.	Siehe hierzu "Austauschen der Lampe".
Der Kompressor arbeitet ständig.	Die Temperatur ist nicht richtig eingestellt.	Stellen Sie eine höhere Temperatur ein.
	Die Tür ist nicht richtig geschlossen.	Siehe hierzu "Schließen der Tür".
	Die Tür wurde zu häufig geöffnet.	Lassen Sie die Tür nicht länger als unbedingt erforderlich offen.
	Die Temperatur der zu kühlenden Lebensmittel ist zu hoch.	Lassen Sie die Lebensmittel auf Raumtemperatur abkühlen, bevor Sie sie in das Gerät legen.
	Die Raumtemperatur ist zu hoch.	Senken Sie die Raumtemperatur.
Wasser fließt an der Rückwand des Kühlschranks hinunter.	Beim automatischen Abtauen fließt das abgetaute Wasser an der Rückwand des Kühlschranks hinunter.	Das ist normal.
Wasser fließt in den Innenraum des Kühlschranks.	Der Wasserabflusskanal ist verstopft.	Reinigen Sie den Ablauf.
	Die eingelagerten Lebensmittel verhindern, dass das Wasser zum Kollektor fließt.	Stellen Sie sicher, dass die Lebensmittel nicht die Rückwand berühren.
Wasser fließt auf den Boden.	Der Tauwasserablauf läuft nicht in die Verdampferschale über dem Kompressor.	Befestigen Sie den Tauwasserablauf an der Verdampferschale.
Die Temperatur im Gerät ist zu niedrig.	Die Temperatur ist nicht richtig eingestellt.	Stellen Sie eine höhere Temperatur ein.
Die Temperatur im Gerät ist zu hoch.	Die Temperatur ist nicht richtig eingestellt.	Stellen Sie eine niedrigere Temperatur ein.

Störung	Mögliche Ursache	Abhilfe
	Die Tür ist nicht richtig geschlossen.	Siehe hierzu "Schließen der Tür".
	Die Temperatur der zu kühlenden Lebensmittel ist zu hoch.	Lassen Sie die Lebensmittel auf Raumtemperatur abkühlen, bevor Sie sie in das Gerät legen.
	Es wurden zu viele Lebensmittel auf einmal eingelegt.	Legen Sie weniger Lebensmittel auf einmal ein.
Die Temperatur im Kühlschrank ist zu hoch.	Die Kaltluft kann nicht im Gerät zirkulieren.	Stellen Sie sicher, dass die Kaltluft im Gerät zirkulieren kann.
Die Temperatur im Gefrierraum ist zu hoch.	Die einzufrierenden Packungen liegen zu dicht aneinander.	Stellen Sie sicher, dass die Kaltluft im Gerät zirkuliert und die Lebensmittel dies nicht verhindern.
Es bildet sich zu viel Reif oder Eis.	Die Lebensmittel sind nicht richtig verpackt.	Verpacken Sie die Lebensmittel richtig.
	Die Tür ist nicht richtig geschlossen.	Siehe hierzu "Schließen der Tür".
	Die Temperatur ist nicht richtig eingestellt.	Stellen Sie eine höhere Temperatur ein.

## Ersetzen der Lampe

1. Trennen Sie den Netzstecker von der Netzversorgung.
2. Lösen Sie die Schraube an der Lampenabdeckung.
3. Nehmen Sie die Lampenabdeckung ab (siehe hierzu die Abbildung).
4. Ersetzen Sie die defekte Lampe durch eine Lampe mit der gleichen Leistung, die speziell für Haushaltsgeräte vorgesehen ist. (Die maximale Leistung ist auf der Lampenabdeckung angegeben).
5. Bringen Sie die Lampenabdeckung an.
6. Ziehen Sie die Schraube an der Lampenabdeckung fest.
7. Stecken Sie den Netzstecker in die Steckdose.
8. Öffnen Sie die Tür. Prüfen Sie, dass die Lampe brennt.



## Schließen der Tür

1. Reinigen Sie die Türdichtungen.
2. Stellen Sie die Tür nach Bedarf ein. Siehe hierzu "Montage".
3. Ersetzen Sie die defekten Türdichtungen, falls erforderlich. Kontaktieren Sie den Kundendienst.

## TECHNISCHE DATEN

Abmessungen		
	Höhe	850 mm
	Breite	595 mm
	Tiefe	635 mm
Ausfalldauer		11 h
Spannung		230 V
Frequenz		50 Hz

Die technischen Informationen befinden sich auf dem Typschild innen links im Gerät sowie auf der Energieplakette.

## MONTAGE



### WARNUNG!

Lesen Sie bitte die "Sicherheitshinweise" sorgfältig vor der Aufstellung des Geräts durch, um Gefahren für Sie selbst zu vermeiden und einen korrekten Betrieb des Geräts zu gewährleisten.

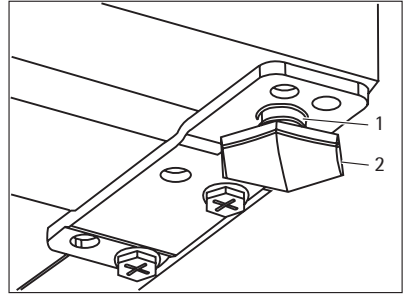
## Aufstellung

Dieses Gerät kann auch in einer trockenen, gut belüfteten Garage oder in einem Keller installiert werden, doch für eine optimale Leistung sollte dieses Gerät an einem Ort installiert werden, an dem die Umgebungstemperatur mit der Klimaklasse übereinstimmt, die auf dem Typschild des Geräts angegeben ist:

Klimaklasse	Umgebungstemperatur
SN	+10 °C bis 32 °C
N	+16 °C bis 32 °C
ST	+16 °C bis 38 °C
T	+16 °C bis 43 °C

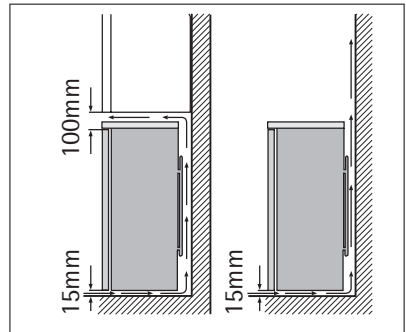
## Ausrichten

Bei der Aufstellung des Geräts ist dieses waagrecht auszurichten. Dies lässt sich mit zwei Schraubfüßen (2) am vorderen Sockel des Geräts erreichen. Bei Bedarf kann zum Einstellen der Schraubfüße das Distanzstück (1) entfernt werden.



## Standort

Das Gerät sollte möglichst weit entfernt von Wärmequellen wie Heizungen, Boilern oder direktem Sonnenlicht usw. aufgestellt werden. Die Luft muss an der Geräterückseite frei zirkulieren können. Damit das Gerät die optimale Leistung bringen kann, wenn es unter einer überhängenden Wand installiert wird, muss der Abstand zwischen der Geräteoberseite und der Wand mindestens 100 mm betragen. Allerdings sollte die Aufstellung des Geräts unter einer überhängenden Wand nach Möglichkeit vermieden werden. Die korrekte waagerechte Ausrichtung des Geräts kann mit Hilfe eines oder mehrerer Schraubfüße am Sockel des Geräts erfolgen. Wird das Gerät in einer Ecke aufgestellt, und zeigt die Scharnierseite dabei zur Wand, so muss der Abstand zwischen Wand und Gerät mindestens 10 mm betragen, damit die Tür zum Herausnehmen der Ablagen geöffnet werden kann.



### WARNUNG!

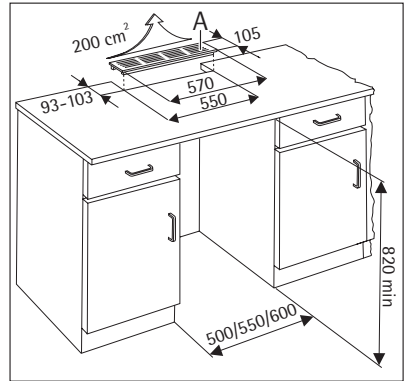
Es muss möglich sein, das Gerät vom Netz zu trennen. Nach der Installation muss die Steckdose daher zugänglich bleiben.

## Installation unter einer durchgehenden Arbeitsplatte

Soll der Kühlschrank unter einer durchgehenden Arbeitsplatte aufgestellt werden, sind eine Luftauslassöffnung von mindestens  $200\text{ cm}^2$  und ein auf die Arbeitsplattengröße abgestimmtes Belüftungsgitter an der Rückseite der Arbeitsplatte vorzusehen.

Die Schnittflächen an der Arbeitsplatte sind mit einem geeigneten Dichtungsmaterial gegen das Eindringen von Feuchtigkeit zu schützen.

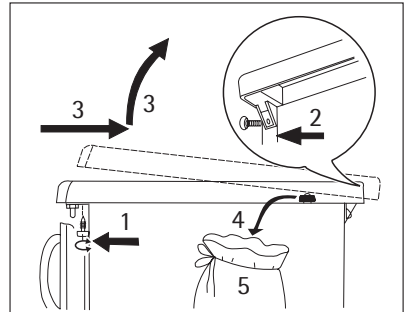
Der Mindestabstand zwischen dem Gerät und der Wand muss mindestens  $30\text{ mm}$  betragen und ist vor dem Einsetzen des Belüftungsgitters zu prüfen.



## Abnehmen der Arbeitsplatte

Bauen Sie die Arbeitsplatte wie folgt aus:

1. Die Schrauben rechts und links auf der Vorderseite lösen.
2. Die Schrauben rechts und links auf der Rückseite lösen.
3. Heben Sie die Arbeitsplatte an der Vorderseite leicht an, schieben Sie sie ca.  $20\text{ mm}$  zurück und heben Sie sie von der Front ab.
4. Die Schrauben rechts und links auf der Rückseite lösen.
5. Bewahren Sie die Schrauben an einem sicheren Ort zusammen mit der Arbeitsplatte auf.



## Einbau und Montage unter einer durchgehenden Arbeitsplatte

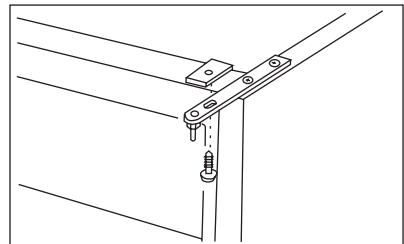
Wechseln Sie vor dem Aufstellen den Türanschlag bei Bedarf (siehe hierzu: Wechsel des Türanschlags).

Schieben Sie das Gerät vorsichtig in die Nische. Vergewissern Sie sich, dass das Netzkabel dabei nicht eingeklemmt wird.

Prüfen Sie den Abstand zur Wand (siehe: Installation unter einer durchgehenden Arbeitsplatte).

Richten Sie das Gerät waagrecht aus, indem Sie die beiden Verstellfüße vorne hinein- oder heraus-schrauben, sodass das Gerät stabil steht.

Befestigen Sie das Gerät je nach Art der Arbeitsplatte und je nach Abstand zwischen Gerät und Arbeitsplatte unter der Arbeitsplatte durch das obere Türscharnier. Verwenden Sie hierzu einen geeigneten Schraubendreher und geeignete Schrauben (nicht im Lieferumfang enthalten). Gleichen Sie ggf. den Spalt zwischen dem Türscharnier und der Arbeitsplatte mit



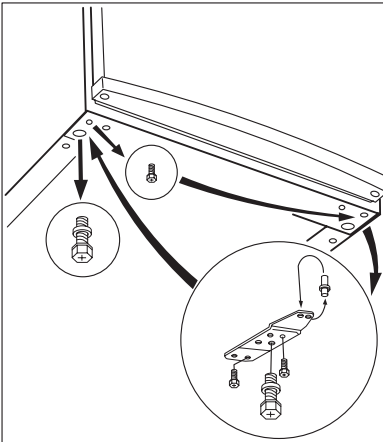
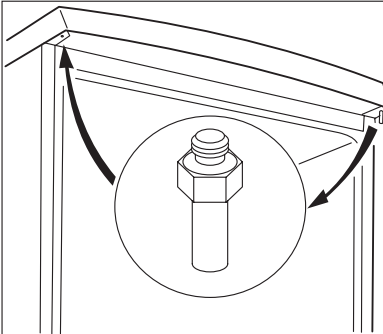
einer geeigneten Unterlegscheibe aus (Kunststoff oder Holz, nicht im Lieferumfang). Dadurch wird ein Verziehen des Scharniers und eine damit verbundene Beeinträchtigung der Türfunktion vermieden.

## Wechsel des Türanschlags



Die nachfolgend beschriebenen Tätigkeiten müssen mit Hilfe einer zweiten Person durchgeführt werden, um ein Herunterfallen der Türen zu vermeiden.

Beim Wechsel des Türanschlags muss wie folgt vorgegangen werden:

1. Ziehen Sie den Stecker aus der Steckdose.
  2. Neigen Sie das Gerät vorsichtig nach hinten, so dass der Kompressor nicht den Boden berühren kann.
  3. Schrauben Sie beide Schraubfüße ab.
  4. Lösen Sie die Schrauben des unteren Türscharniers.
  5. Nehmen Sie die Gerätetür ab, indem Sie sie vorsichtig nach unten ziehen.
- 
6. Schrauben Sie den Haltestift des oberen Türscharniers heraus und schrauben Sie ihn dann auf der anderen Seite wieder an.
  7. Setzen Sie danach die Gerätetür auf den oberen Haltestift des Scharniers.
  8. Nehmen Sie das untere Scharnier ab. Stecken Sie den Bolzen in Pfeilrichtung um.
  9. Lösen Sie die Schraube und bringen Sie sie an der gegenüberliegenden Seite wieder an.
  10. Bauen Sie das untere Türscharnier auf der gegenüberliegenden Seite ein. Lassen Sie dabei die Position der Tür unverändert.
  11. Schrauben Sie die einzelne Schraube an der dafür vorgesehene Stelle auf der gegenüberliegenden Seite fest, ebenso die beiden Verstellfüße (2 Stück).
- 



12. Bauen Sie den Griff ab<sup>10)</sup> und auf der gegenüberliegenden Seite wieder an.
13. Schieben Sie das Gerät wieder an seinen Standort, richten Sie es waagrecht aus und nehmen Sie es mindestens vier Stunden lang nicht in Betrieb. Schließen Sie es dann an die Stromversorgung an.

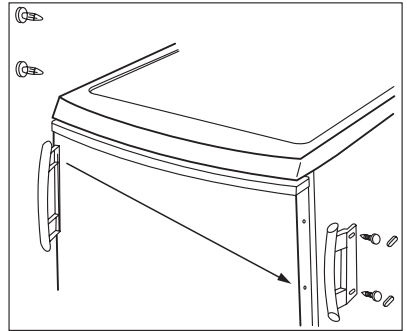
Prüfen Sie alles erneut, um sicherzustellen, dass:

- Alle Schrauben fest angezogen sind.
- Die Tür korrekt öffnet und schließt.

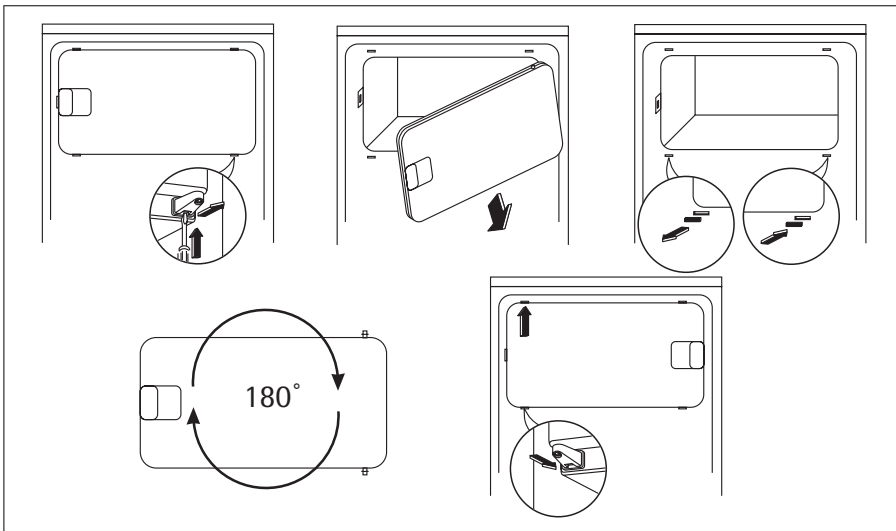
Bei niedrigen Umgebungstemperaturen (z.B.

im Winter) kann es sein, dass die Türdichtung nicht richtig am Gerät anliegt. Warten Sie in diesem Fall auf die natürliche Anpassung der Dichtung.

Wenden Sie sich bitte an den Kundendienst, falls Sie die oben beschriebenen Tätigkeiten nicht selbst durchführen möchten. Ein Kundendiensttechniker wird die Türen dann auf Ihre Kosten umbauen.



## Wechsel des Gefrierfach-Türanschlags.



## Steckdose



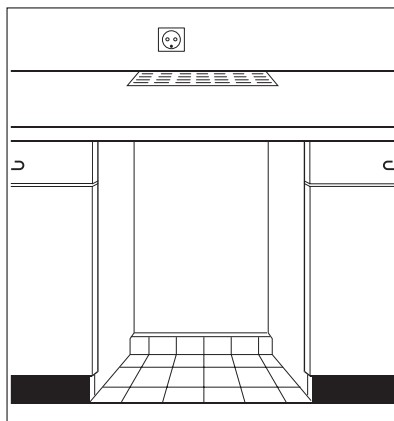
### VORSICHT!

Vergewissern Sie sich, dass sich das Netzkabel des Geräts frei bewegen lässt.

10) Falls dies vorgesehen ist.

Die Steckdose für den Anschluss Ihres Geräts an die Stromversorgung sollte so gewählt werden, dass ein Herausziehen des Steckers jederzeit ungehindert möglich ist.

Wird Ihr Gerät unter einer durchgehenden Arbeitsplatte aufgestellt, sollte die Steckdose wie abgebildet vorhanden sein.



## Elektrischer Anschluss

Kontrollieren Sie vor der ersten Benutzung des Gerätes, ob die Netzspannung und -frequenz Ihres Hausanschlusses mit den auf dem Typenschild angegebenen Anschlusswerten übereinstimmen.

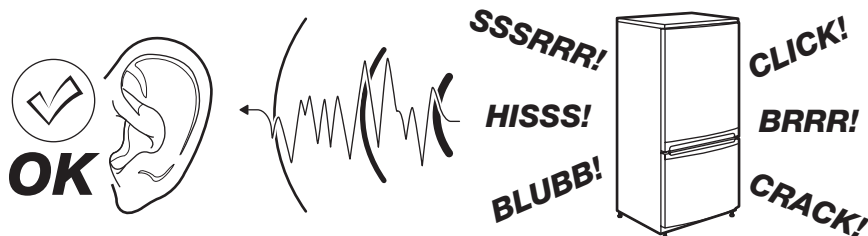
Das Gerät muss geerdet sein. Zu diesem Zweck ist die Netzkabelsteckdose mit einem Schutzkontakt ausgestattet. Falls die Steckdose Ihres Hausanschlusses nicht geerdet sein sollte, lassen Sie das Gerät bitte gemäß den geltenden Vorschriften erden und fragen Sie dafür einen qualifizierten Elektriker.

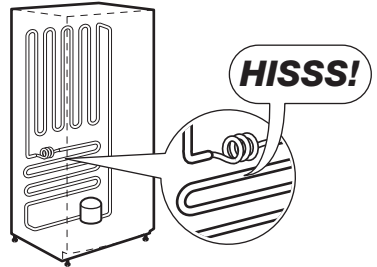
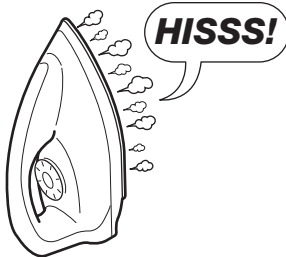
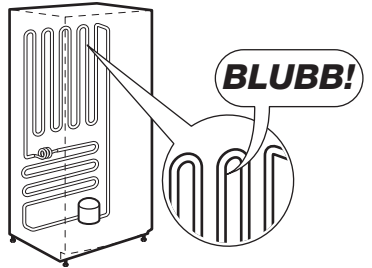
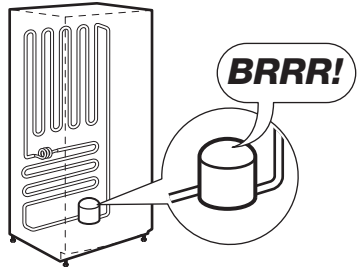
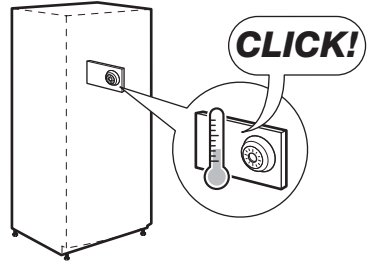
Der Hersteller übernimmt keinerlei Haftung für Schäden oder Verletzungen, die durch Missachtung der oben genannten Sicherheitshinweise entstehen.

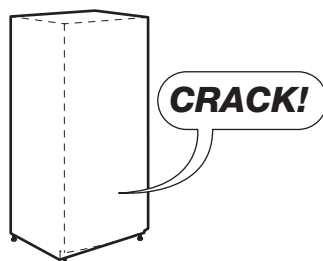
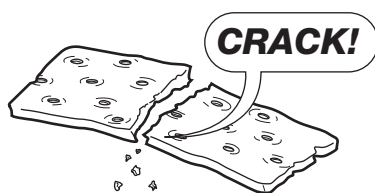
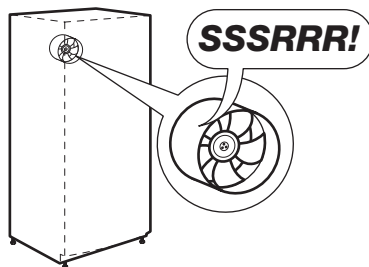
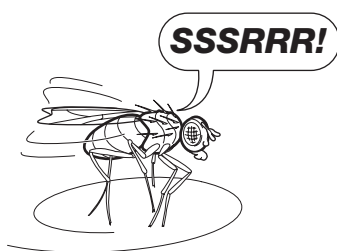
Das Gerät entspricht den EU- Richtlinien.

## GERÄUSCHE


Während das Gerät in Betrieb ist, entstehen bestimmte Geräusche (Kompressor und Kühlkreislauf).







## HINWEISE ZUM UMWELTSCHUTZ

Das Symbol  auf dem Produkt oder seiner Verpackung weist darauf hin, dass dieses Produkt nicht als normaler Haushaltsabfall zu behandeln ist, sondern an einem Sammelpunkt für das Recycling von elektrischen und elektronischen Geräten abgegeben werden muss. Durch Ihren Beitrag zum korrekten Entsorgen dieses Produkts schützen Sie die Umwelt und die Gesundheit Ihrer Mitmenschen. Umwelt und Gesundheit werden durch falsches Entsorgen gefährdet. Weitere Informationen über das Recycling dieses Produkts erhalten Sie von Ihrem Rathaus, Ihrer Müllabfuhr oder dem Geschäft, in dem Sie das Produkt gekauft haben.







[www.aeg.com/shop](http://www.aeg.com/shop)

200383900-A-152011

