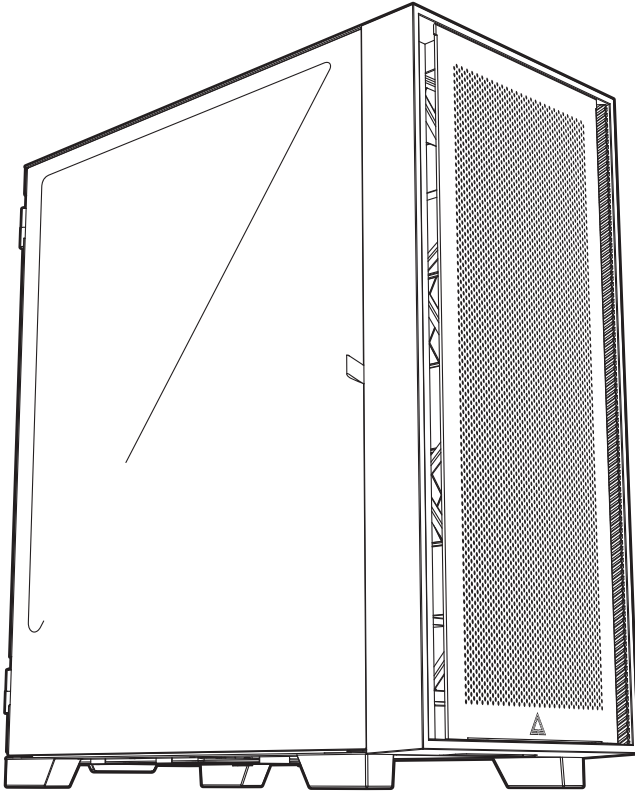


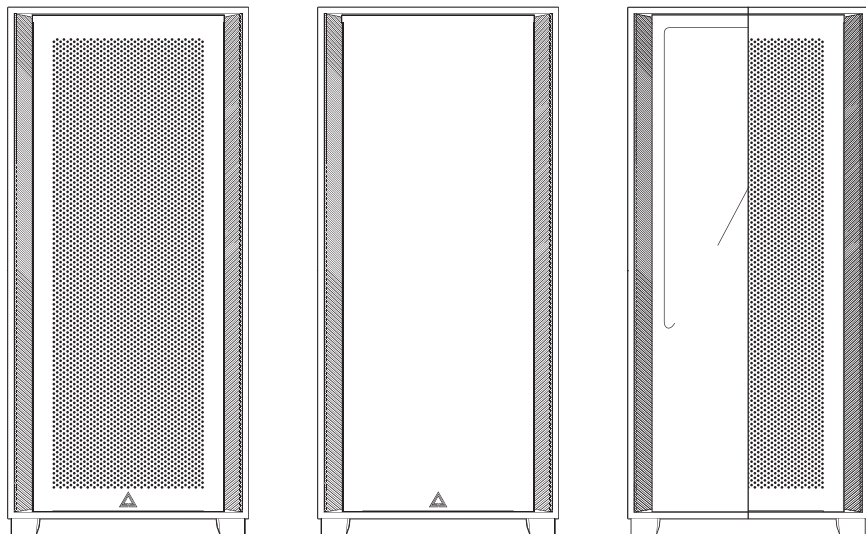


*With  
Good Value!*



# AIR 1000 SERIES





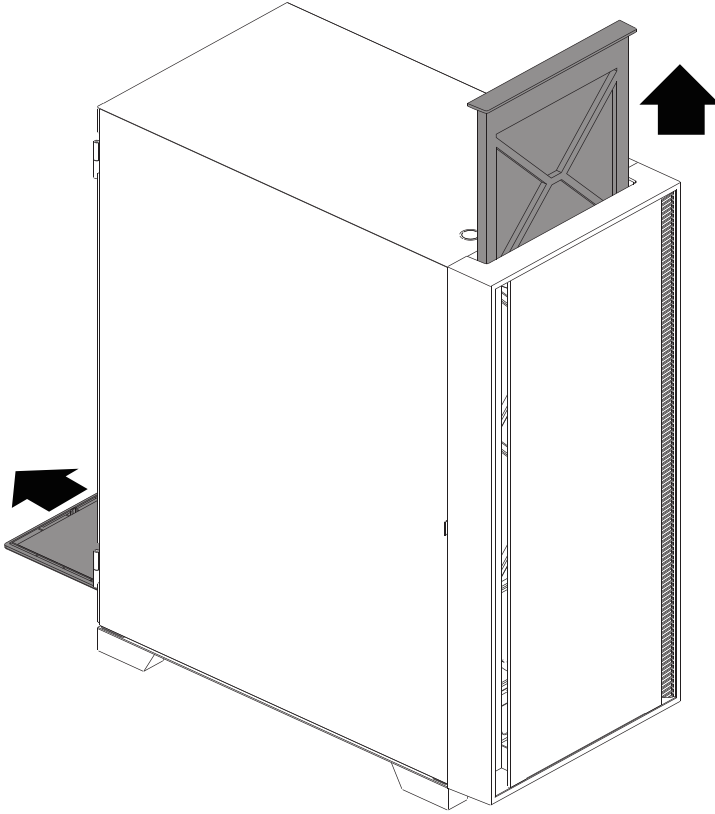
## SPECIFICATIONS

Product Name/ 產品名稱		Air 1000 series
Available Color/ 顏色		Black/White
Dimensions (L*W*H)/ 尺寸		416*220*490mm
Motherboard Support/ 主板支援		ATX/Micro ATX/Mini ITX
Expansion Slots/PCI 擴充槽		7
Drive Bays/ 硬碟架	3.5"HDD or 2.5"SSD	2
	2.5"SSD	4
I / O Port/I / O 介面		USB2.0*1, USB3.0*2, mic, headset, LED button
Pre-installed Fan(s)/ 預裝風扇	Lite	120 mm*3(High Airflow Fan)
	Silent	120 mm*3(Silent Fan)
	Premium	140 mm*3, 120 mm *1(ARGB Fan)
Fan Supportt/ 風扇支援	Front	120mm*3/140mm*3
	Rear	120mm * 1
	Inside	120mm * 2
	Top	120 / 140mm * 2
Radiator Support/ 水冷支援	Front	120 / 140 / 240 / 280 / 360mm
	Rear	120mm
	Top	120 / 140 / 240mm
Clearances/ 預留安裝空間	VGA/ 顯示卡	340mm
	CPU Cooler/ 散熱器	165mm
Dust Filters/ 防塵濾網		Front, Top, Bottom/ 前、上、下
Power Supply Support/ 電源供應器類型		Bottom mount, ATX/ 下置式 · ATX

## FOR SILENT VERSION

The top panel for silent version is sealed to provide the best silent performance.

靜音版的頂部面板是密封的，以提供最佳的靜音性能。



## SPECIFICATONS (SILENT)

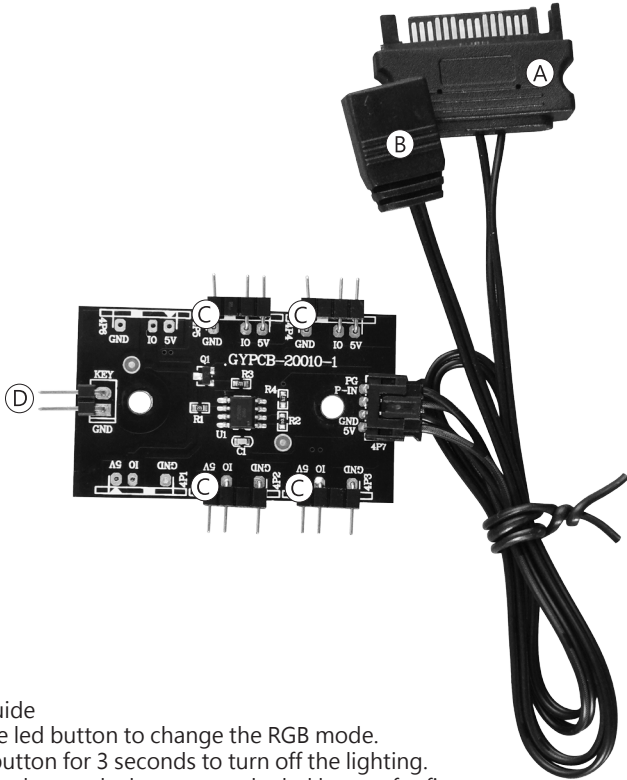
Therefore, the silent version does not support any fan or radiator on the top.

所以靜音版頂部無法裝風扇或水冷

Fan Supportt/ 風扇支援	Front	120mm*3/140mm*3
	Rear	120mm * 1
	Inside	120mm * 2
Radiator Support/ 水冷支援	Front	120 / 140 / 240 / 280 / 360mm
	Rear	120mm

## FOR "AIR 1000 PREMIUM VERSION" ONLY LIGHTING CONTROLLER

A	SATA(For Power Supply)
B	3 Pin(For Motherboard)
C	3 Pin *4(For ARGB Fan)
D	2 Pin(For LED Button)



### RGB Control Guide

- \*Short press the led button to change the RGB mode.
- \*Press the led button for 3 seconds to turn off the lighting.
- \*For motherboard control, please press the led button for five seconds after you entered the motherboard software.

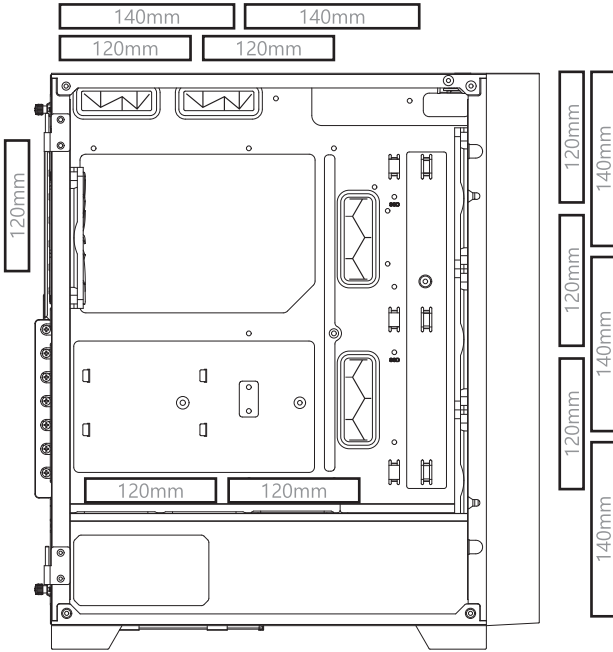


### Caution 注意：

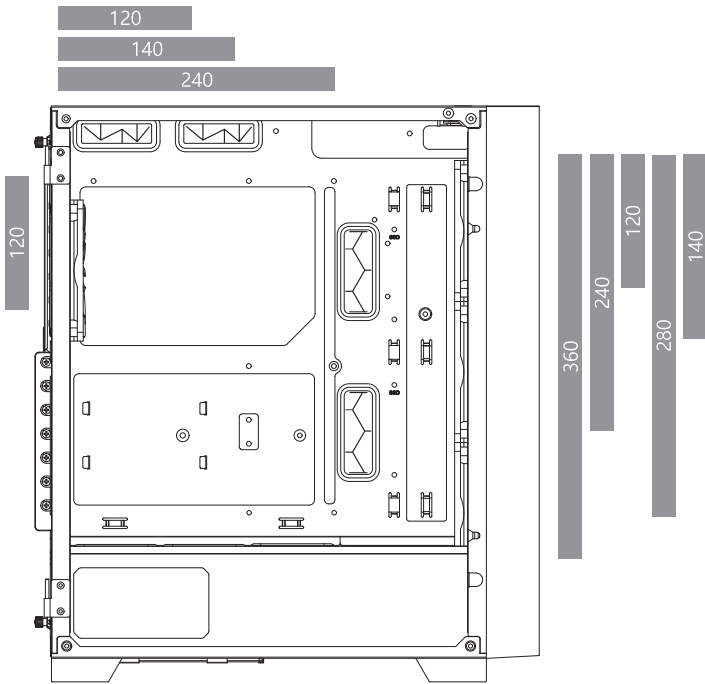
For motherboard sync, it can only work with 5V3PIN. It will NOT work with old motherboard 4-pin RGB or Standard RGB+12V.

若要主板同步需使用帶有 5V3PIN 的主板，不支持 4PIN-RGB 或一般 +12V RGB

# FAN & RADIATOR SUPPORT



Fan Support/ 風扇支援	
Front	120 mm *3 / 140mm *3
Rear	120mm * 1
Inside	120mm * 2
Top	120 / 140mm * 2



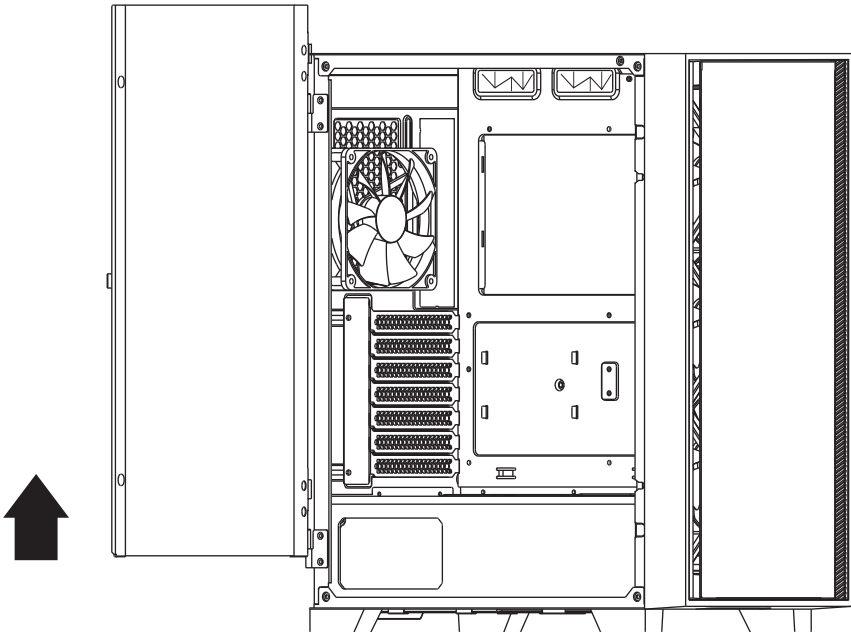
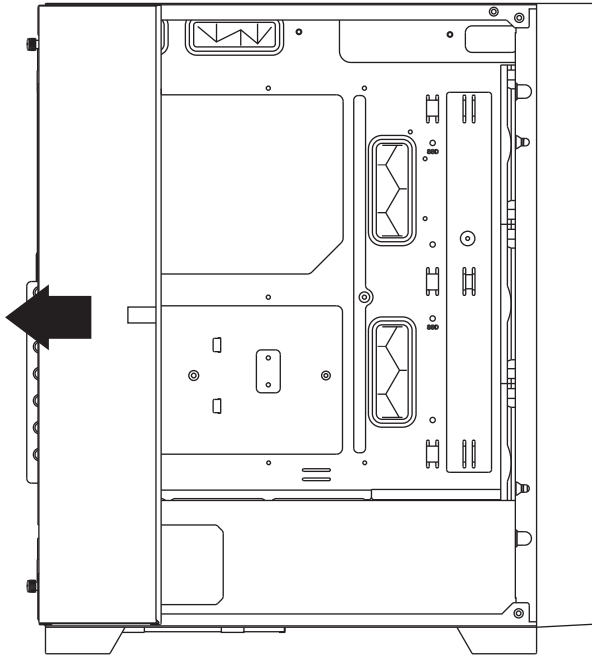
Radiator Support/ 水冷支援	
Front	120/140/240/ 280/360mm
Rear	120mm
Top	120/140/240 mm

\*360 Radiator Thickness:30mm  
 \*360 水冷排厚度 :30mm

## REMOVING OF THE SIDE WINDOW

After opening the glass door, take out the glass vertically upwards.

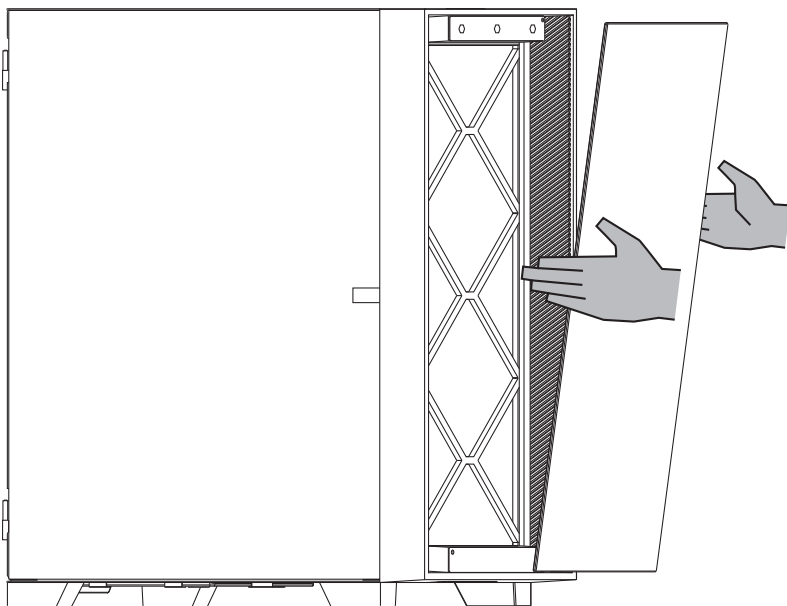
拉開玻璃門後，垂直向上取出玻璃



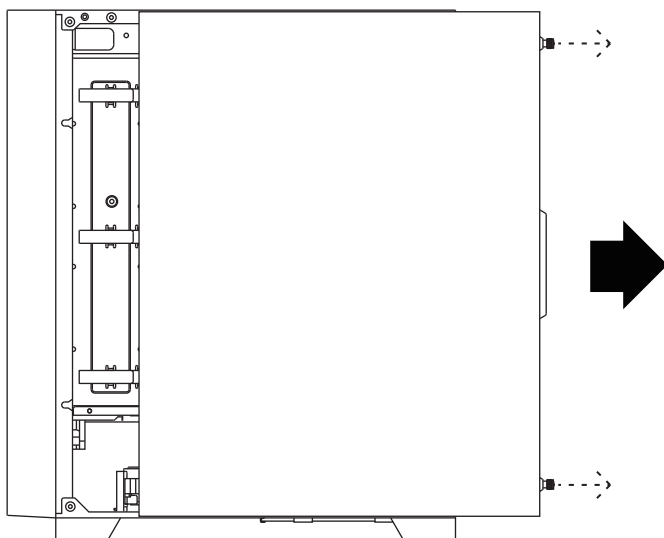
## REMOVING THE FRONT PANEL

The front panel of the AIR 1000 features snap-on metal pin assembly can be easily taken off by pulling out with both hands.

AIR 1000 的前面板做卡扣式設計，可輕鬆向外施力卸下面板。

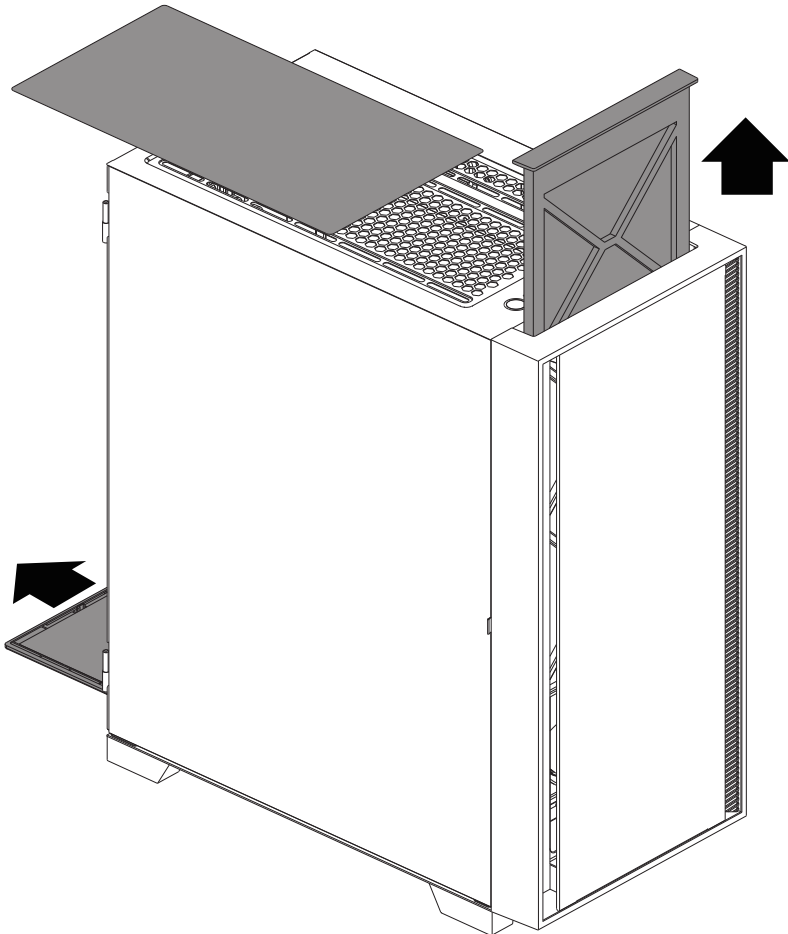
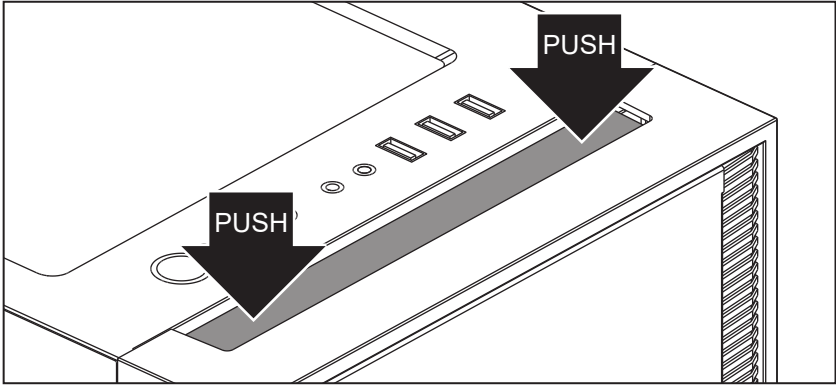


## REMOVING THE SIDE PANEL



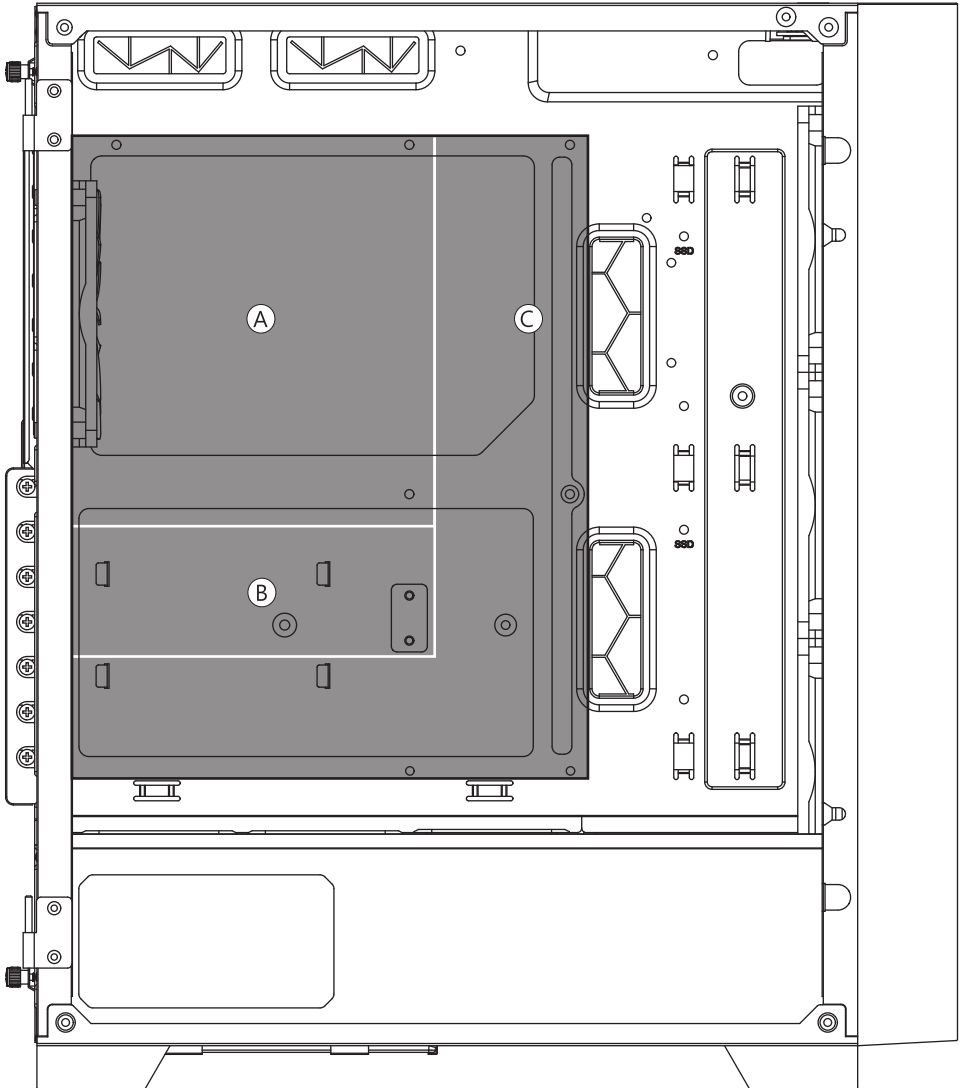


## REMOVING THE DUST FILTERS

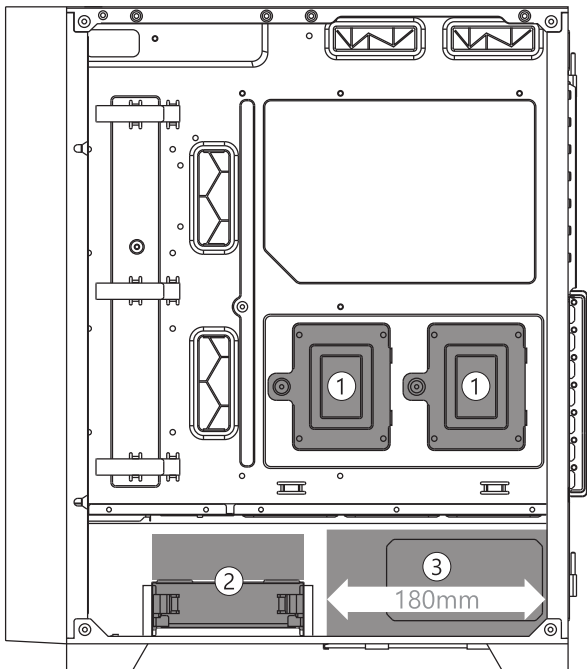


# MOTHERBOARD COMPATIBILITY

A	Mini-ITX
B	Micro-ATX
C	ATX

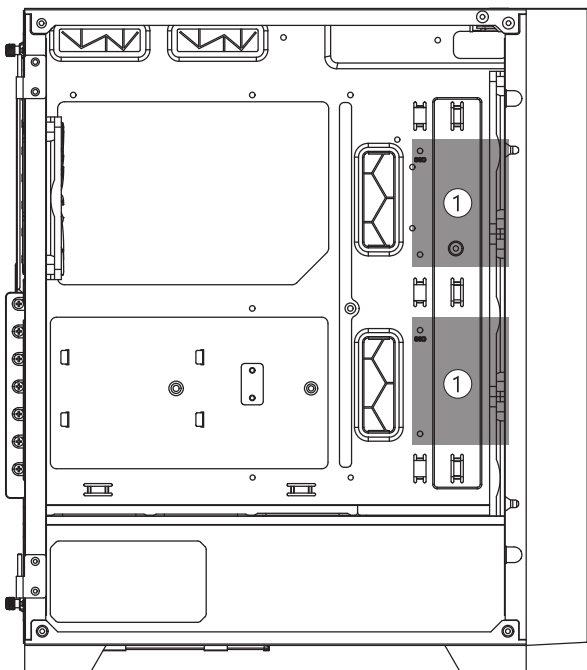


# INSTALLATION OF SSD ON THE PANEL AND BRACKET / HDD CAGE POSITION & POWER SUPPLY SUPPORT



\*180mm (200 mm if HDD cage removed)

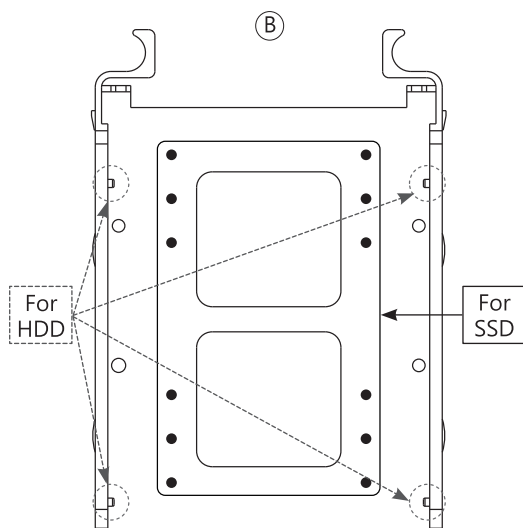
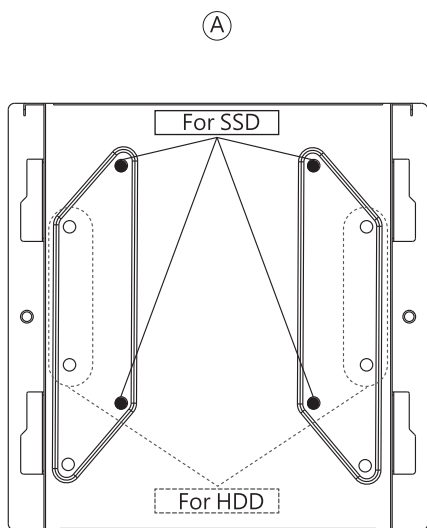
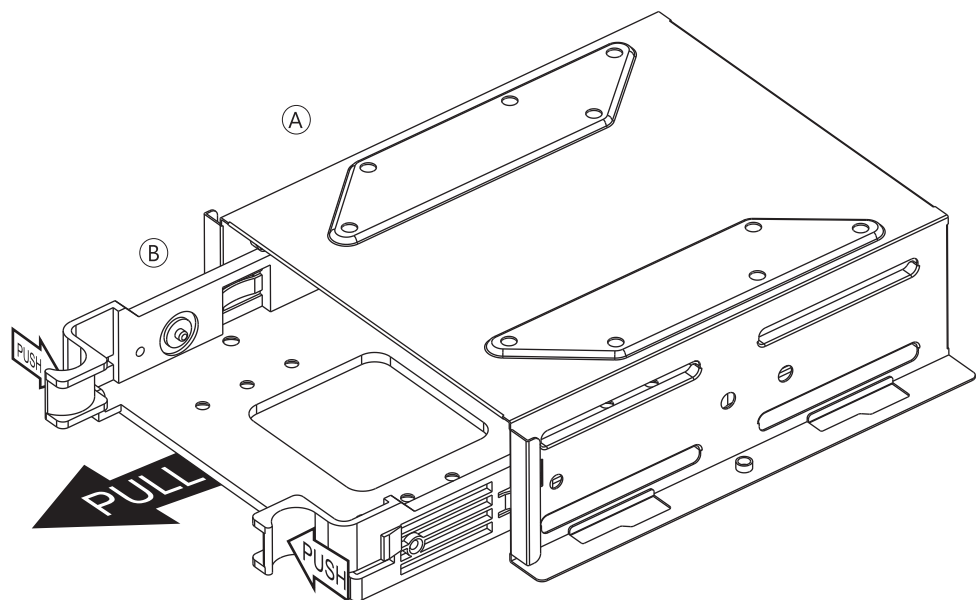
\*180mm( 可支援至 200mm, 如果 HDD 硬碟架拆掉 )



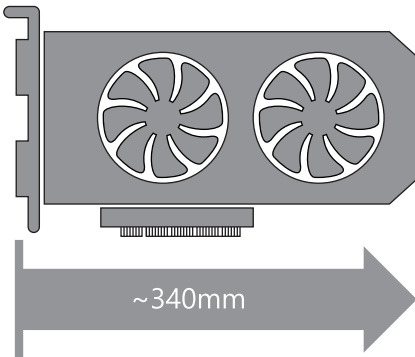
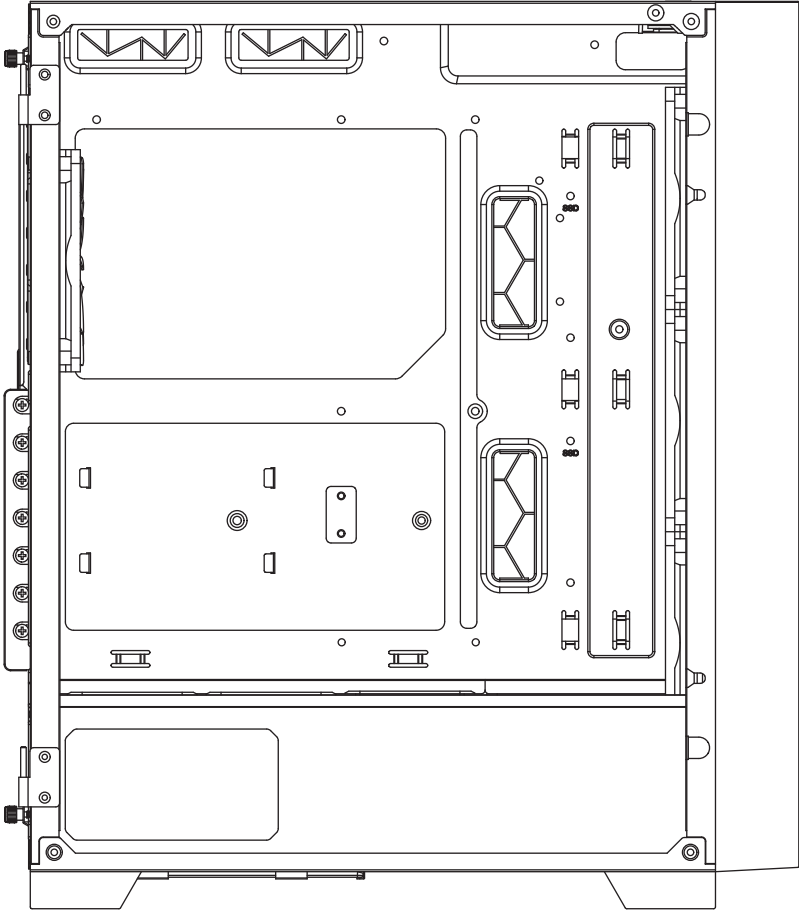
1	SSD * 4
2	SSD * 2 or HDD * 2
3	PSU 160mm

Pull out the hard drive holder, lock the screws at the screw holes, and then return the hard drive holder to the original position.

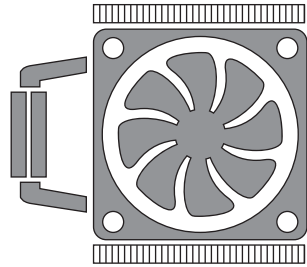
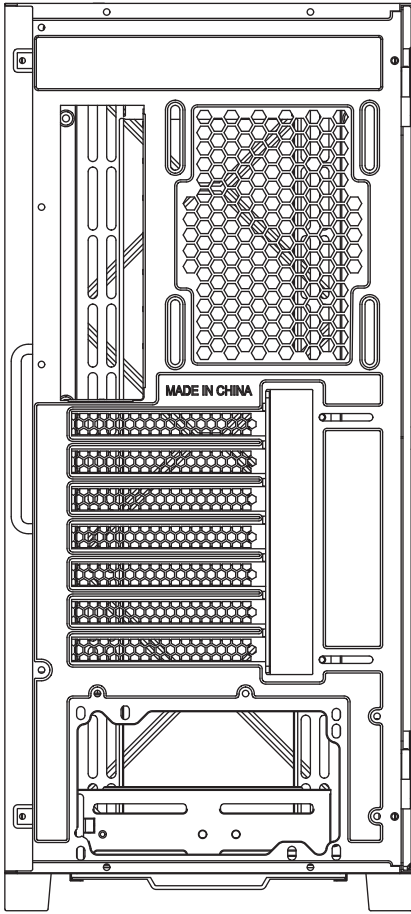
將硬碟架拉出，對準螺絲孔位鎖上螺絲後，再將硬碟架放回原位即可。






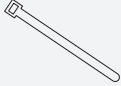



# GRAPHICS CARD COMPATIBILITY

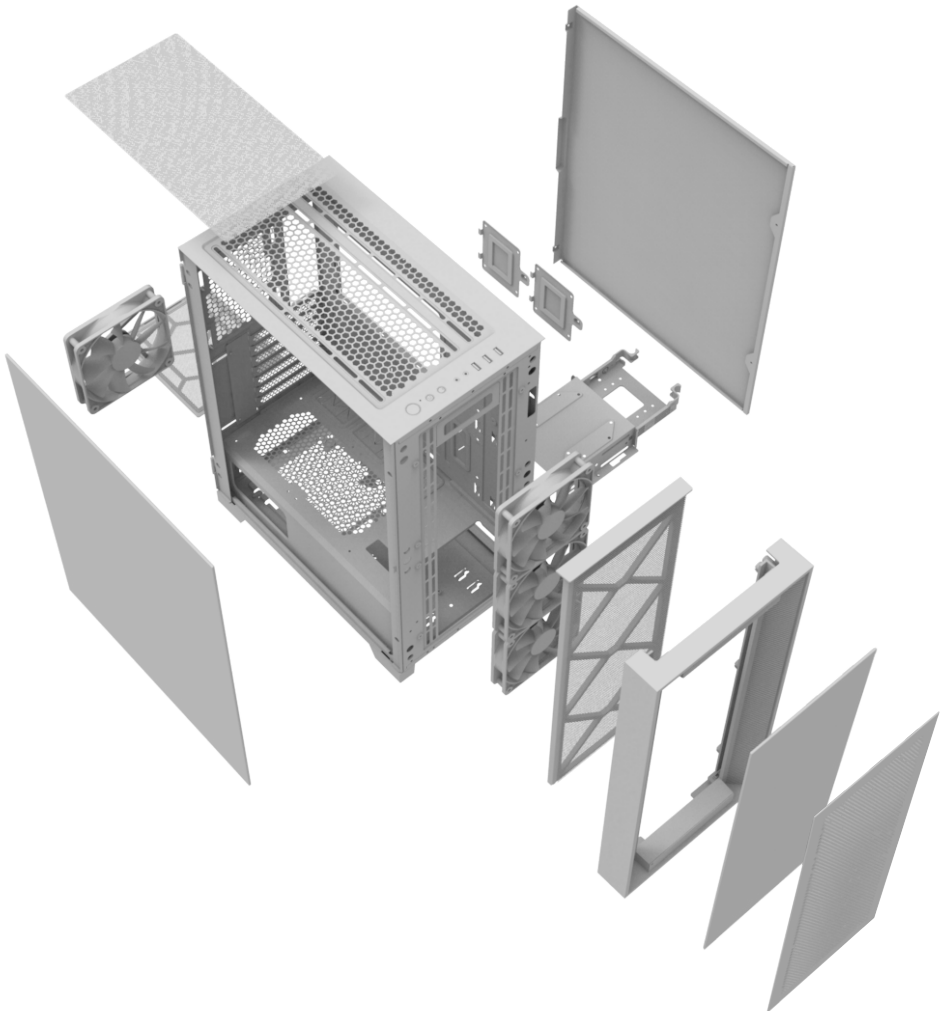


## CPU COOLING COMPATIBILITY



## ACCESSORY BAG

	Motherboard standoff tool	主板桐柱	3		Cable tie	束線帶	5
	Motherboard screw/ 2.5" SSD disk screw	主板螺絲 / 2.5" SSD 硬碟螺絲	33		Velcro	魔鬼氈	2
	Power supply screw	電源螺絲	6		Buzzer	蜂鳴器	1
	3.5" HDD disk screw	3.5" HDD 硬碟螺絲	8	X			





15F.No.136, Ln.39,Sec.1,Wenhua 3rd Rd., Linkou Dist.,  
New Taipei City 244, Taiwan (R.O.C).  
TEL:+886 2-26091081  
Email:headquarter@montechpc.com  
Web:<https://montechpc.com/>