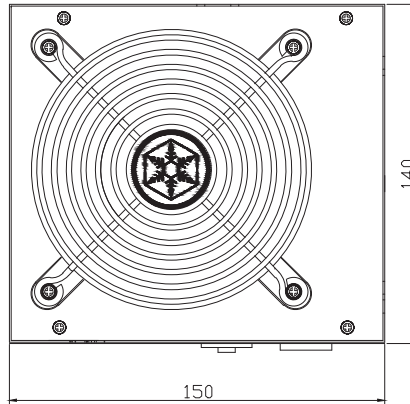
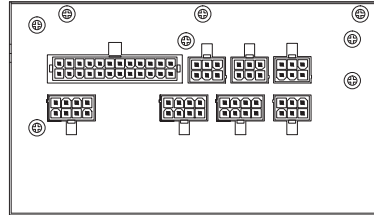
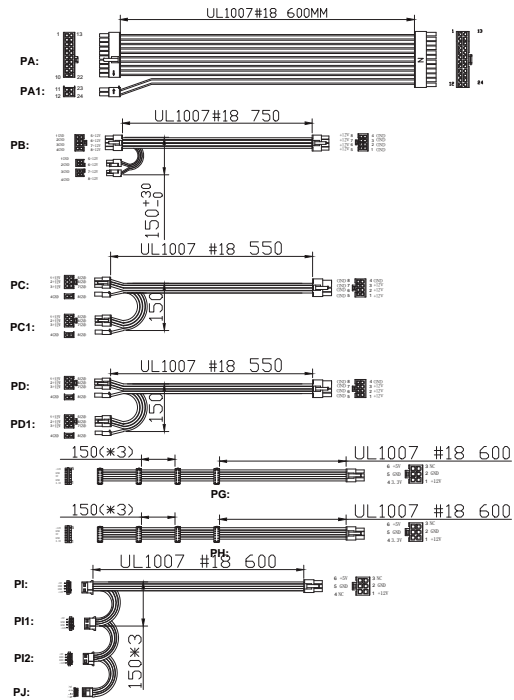


# ST65F-PB

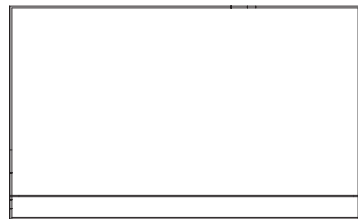
DIM.	
PA:	600+30MM -0MM
PA1:	600+30MM -0MM
PB:	750+30MM -0MM
PC:	550+30MM -0MM
PG:	600+30MM -0MM
PH:	-0MM
PC1:	150+30MM -0MM
PD1:	-0MM
PI:	600+30MM -0MM
PI1	150+30MM
PI2	-0MM
PJ	-0MM



REF.ID.	PIN NO.	COLOR	V
<b>PA PA1</b>	1	ORANGE	+3.3V
	2	ORANGE	+3.3V
	3	BLACK	COM
	4	RED	+5V
	5	BLACK	COM
	6	RED	+5V
	7	BLACK	COM
	8	GRAY	PWR_OK
	9	PURPLE	+5VSB
	10	YELLOW	+12V
	11	YELLOW	+12V
	12	ORANGE	+3.3V
	13	ORANGE	+3.3V
		BROWN	+3.3V(SENSE)
	14	BLUE	-12V
	15	BLACK	COM
	16	GREEN	PS_ON#
	17	BLACK	COM
	18	BLACK	COM
	19	BLACK	COM
	20		
	21	RED	+5V
	22	RED	+5V
	23	RED	+5V
24	BLACK	COM	

REF.ID.	PIN NO.	COLOR	V
<b>PG PH</b>	1	ORANGE	+3.3V
	2	BLACK	COM
	3	RED	+5V
	4	BLACK	COM
	5	YELLOW	+12V
<b>PI-PI2</b>	1	YELLOW	+12V
	2	BLACK	COM
	3	BLACK	COM
	4	RED	+5V
<b>PJ</b>	1	RED	+5V
	2	BLACK	COM
	3	BLACK	COM
	4	YELLOW	+12V
<b>PB</b>	1	BLACK	COM
	2	BLACK	COM
	3	BLACK	COM
	4	BLACK	COM
	5	YELLOW	+12V
	6	YELLOW	+12V
	7	YELLOW	+12V
	8	YELLOW	+12V
<b>PC PD PC1 PD1</b>	1	YELLOW	+12V
	2	YELLOW	+12V
	3	YELLOW	+12V
	4	BLACK	COM
	5	BLACK	COM
	6	BLACK	COM
	7	BLACK	COM
	8	BLACK	COM

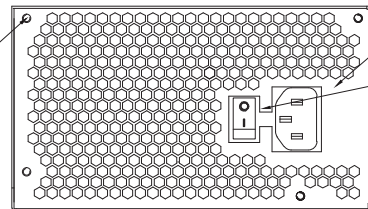
S-TOP



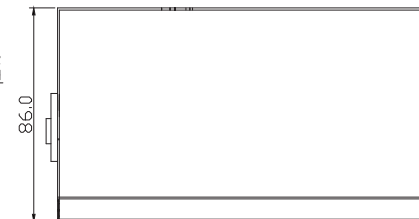
S-LEFT

1-FRONT

#6-32\*4  
EXTRUDED HOLE  
WITHSTAND  
8KG/CM<sup>2</sup>



INLET  
ROCKER  
SWITCH



86.0