

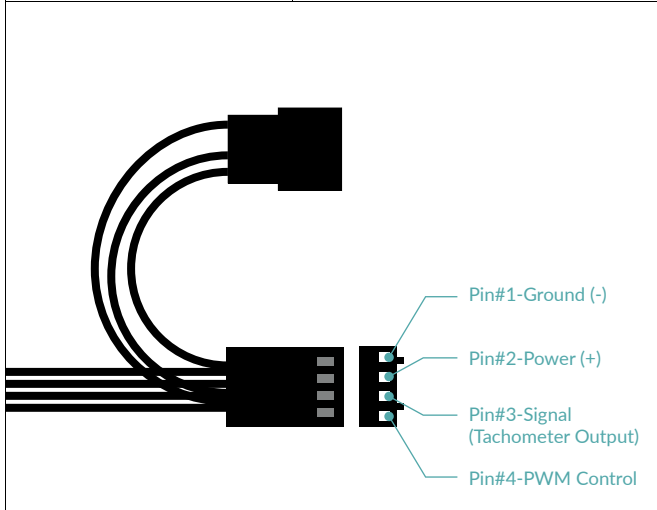
# P14 PWM PST

140 mm PWM PST Case Fan



## Fan Specifications

Dimensions	140 (L) x 140 (W) x 27 (H) mm
Weight	194 g
Speed	200–1700 rpm, 0 rpm <5% PWM
rpm Control	Pulsweitenmodulation – PWM
Static Pressure	2.40 mm H <sub>2</sub> O
Airflow	72.8 cfm   123.8 m <sup>3</sup> /h
Bearing	Fluid Dynamic Bearing
Cable Length	400 mm
Connector	4-Pin Connector + 4-Pin Socket
Current/Voltage	0.12 A/12 V
Starting Voltage	3.9 V
Noise Level	0.3 Sone
Ambient Operating Temperature	0–40 °C



## Shipping Information Single Fan – Black

Dimensions	143 (L) x 143 (W) x 29 (H) mm
Weight	235 g
SKU	ACFAN00125A
EAN	4895213701563
UPC	872767009509
Package Content	P14 PWM PST x1 Mounting Screws x4

## Shipping Information Single Fan – White

Dimensions	143 (L) x 143 (W) x 29 (H) mm
Weight	235 g
SKU	ACFAN00197A
EAN	4895213703116
UPC	840033400916
Package Content	P14 PWM PST x1 Mounting Screws x4

## Shipping Information Single Fan – White/Transparent

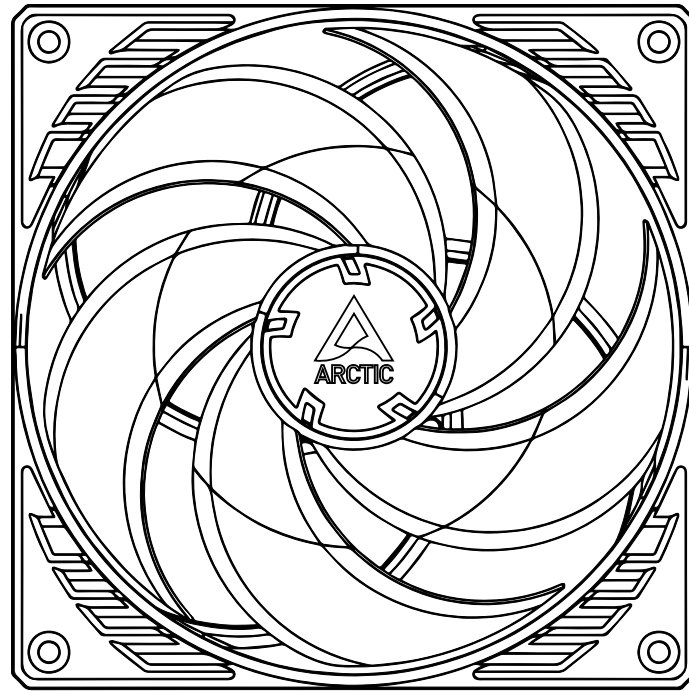
Dimensions	143 (L) x 143 (W) x 29 (H) mm
Weight	235 g
SKU	ACFAN00221A
EAN	4895213703123
UPC	840033400923
Package Content	P14 PWM PST x1 Mounting Screws x4

## Shipping Information Pack of 5 Value Pack – Black

Dimensions	145 (L) x 139 (W) x 146 (H) mm
Weight	960 g
SKU	ACFAN00138A
EAN	4895213701600
UPC	872767009547
Package Content	P14 PWM PST x5 Mounting Screws x20

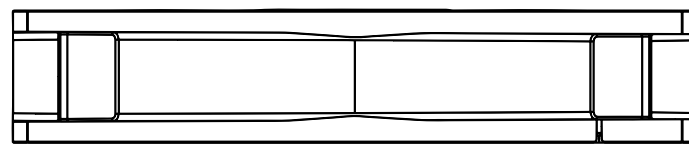
# P14 PWM PST

140 mm PWM PST Case Fan



140 mm

140 mm



27 mm

All materials are compatible with RoHS requirements



Product Information



Manual