



Safety Instructions

1, 2, 3, 4, 5, 7, 11, 13, 24,
28, 33, 34



Info Hotline



+49 (0) 5041 998 389

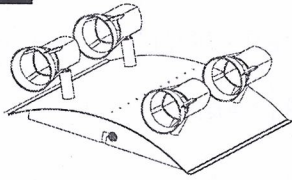
Mon. - Do. 7⁰⁰ - 20⁰⁰

Fr. 7⁰⁰ - 17⁰⁰

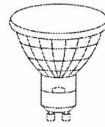
Paulmann Licht GmbH
Quezinger Feld 2
31832 Springe
Germany

www.paulmann.com

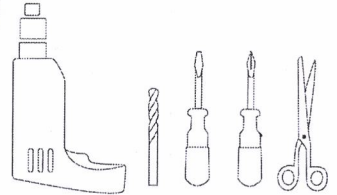
Art.-Nr.: 667.01
667.05
(+MA 326) PHO 01/17



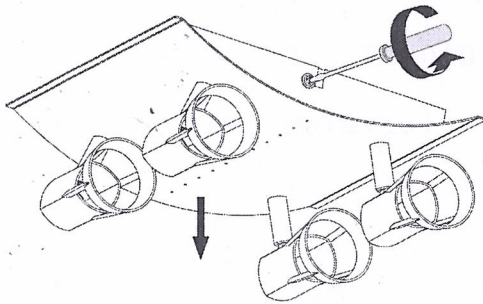
1X 2X 2X



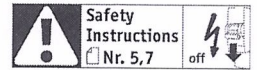
not incl.
max. 10W
GU10



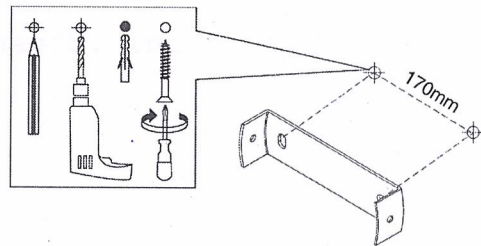
A



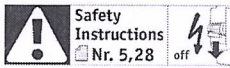
B



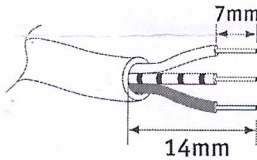
Safety
Instructions
Nr. 5, 7



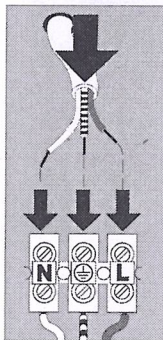
C



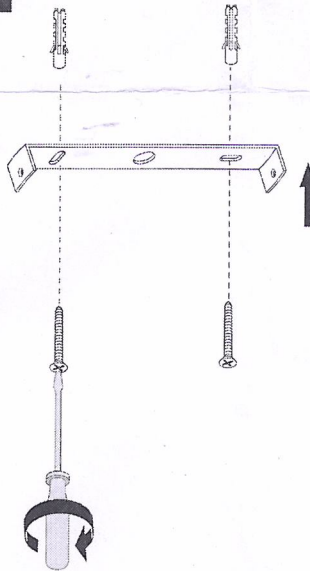
Safety
Instructions
Nr. 5, 28



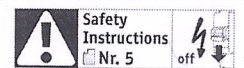
230V



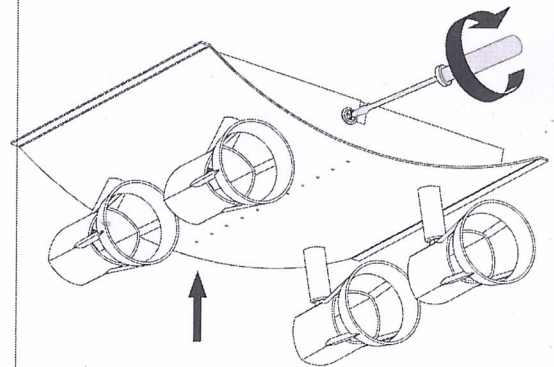
D



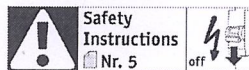
E



Safety
Instructions
Nr. 5



F



Safety
Instructions
Nr. 5

