



Red Eagle - fly high with your ultimate partner in battle

The 27" G-MASTER GB2788HS known as Red Eagle is a real game changer, giving true gamers the competitive edge they need to make split second decisions. It spikes down on your enemies with a blistering 1 ms response time, ensuring fluid and accurate transition between the images. Armed with FreeSync technology and 144Hz refresh rate, this powerful predator has no mercy for ghosting effects or smearing issues. Perfect vision manifested in the ability to adjust brightness and the dark shades with the Black Tuner delivers greater viewing performance in shadowed areas. No matter which you prefer: RTS, FPS, MOBA and MMO - choose Red Eagle and rank yourself top of the gamer community food chain.



144 HZ



Freesync™ TECHNOLOGY

Rapid refresh rate and frame rate guarantee smooth, blur free and judder free graphics, with lower latency and lag improving response times for fast paced games. Especially suited to the fast pace games like FPS, racers, MOBA and sports where the 144hz refresh rate delivers the crisp and sharp images needed to raise your game. For 144 fps game-play it is required to have a graphic card that supports dual link 144Hz DVI.

1. DISPLAY CHARACTERISTICS

| | |
|--------------------|--|
| DIAGONAL | 27"; 68.6cm |
| PANEL | TN LED |
| DISPLAY AREA H X W | 336.2 x 597.6 mm; 13.2" x 23.5" |
| RESPONSE TIME | 1 ms |
| CONTRAST | 1000 : 1 typical |
| CONTRAST | 12 000 000 : 1 ACR |
| BRIGHTNESS | 300 cd/m ² typical |
| VIEWING ZONE | horizontal/vertical: 170° / 160°; right/left: 85° / 85°; up/down: 80° / 80° |
| DISPLAY COLOUR | 16.7 million |
| PIXEL PITCH H X V | 0.311 x 0.311 mm |
| NATIVE RESOLUTION | Full HD 1080p (VGA @60Hz, HDMI @120Hz, DVI-D&DisplayPort @144Hz), 1920 x 1080 (2.1 megapixel) |
| HORIZONTAL SYNC | DVI/DP: 30 - 160 KHz |
| VERTICAL SYNC | DVI/DP: 55 - 145 Hz |
| SYNCHRONIZATION | Separate Sync |
| ASPECT RATIO | 16 : 9 |

2. INTERFACES & CONNECTORS

| | |
|-------------------------|--------------------------|
| DIGITAL INPUT CONNECTOR | DVI-D, HDMI, DisplayPort |
| HDCP | yes; |
| HEADPHONE CONNECTOR | Yes |
| OUTPUT CONNECTOR | headphone socket |

3. SPECIAL FEATURES

| | |
|-------------------------|--|
| APPLE - MAC | All iiyama monitors are compatible with Apple-Macintosh computers. |
| PLUG & PLAY | VESA DDC2B™ |
| CONTROLS | Via OSD in 10 languages (EN, FR, DE, NL, PL, IT, CZ, RU, JP, Chinese (simplified and traditional) and 5 front controls (Power, Select/ Input Select, Scroll up/ Audio Adjust, Scroll down/ i-Style Mode, Menu) |
| USER CONTROLS | picture adjust (contrast, brightness, OverDrive, ACR, ECO, black tuner, HDMI RGB range, picture format, sharpness, X-Res Technology), input select, audio adjust (volume, mute, digital audio), colour, language, OSD settings (H. position, V. position, OSD transparency, OSD time out), setup menu (store user settings, FreeSync, blue light reducer, opening logo, LED, information, memory recall) |
| SPEAKERS | 2 x 2.5 W (Stereo) |
| ANTI-THEFT-DEVICE | Kensington-lock™ prepared |
| CERTIFICATES | CE, TÜV-Bauart, CU, VCCI-B, PSE |
| EXTRA FUNCTIONS | supports FreeSync™ Technology |
| HEIGHT ADJUSTABLE STAND | Yes |
| HEIGHT ADJUSTMENT | 130 mm |

| | |
|---------------|--------------------------|
| SWIVEL STAND | 90°; 45° left; 45° right |
| TILT ANGLE | 17° up; -° down |
| VESA MOUNTING | 100 x 100 mm |
| COLOUR | Black |

4. ACCESSORIES

| | |
|----------------------|--|
| INCLUDED ACCESSORIES | power cable, DVI-D cable (dual-link), DisplayPort cable, audio cable, stand, quick start guide, safety guide |
|----------------------|--|

5. POWER MANAGEMENT

| | |
|-------------------|---|
| POWER SUPPLY | AC 100 - 240 V, 50 / 60 Hz |
| POWER SUPPLY UNIT | internal |
| POWER USAGE | 35 W typical; max. 0.5 W in Power management mode |
| POWER MANAGEMENT | VESA DPMS, ENERGY STAR® |

6. EU ENERGY EFFICIENCY LABEL

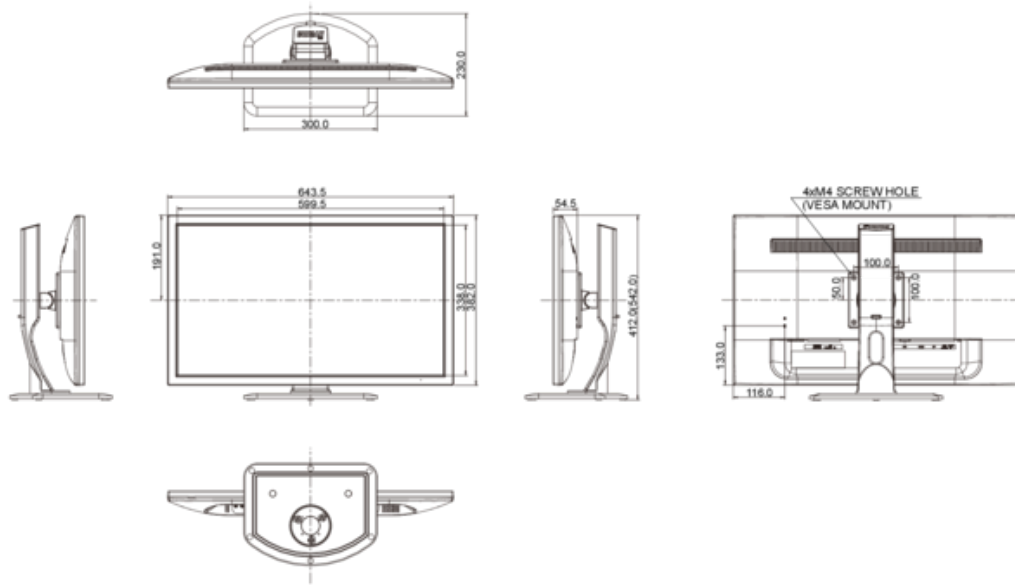
| | |
|-------------------------|-----------------------------|
| ENERGY EFFICIENCY CLASS | B |
| VISIBLE SCREEN DIAGONAL | 61 cm; 24"; (24" segment) |

This is information under Regulation (EU) No 1062/2010.

**Based on the power consumption of the television operating 4 hours per day for 365 days. The actual energy consumption will depend on how the television is used.*

7. DIMENSIONS & WEIGHT

| | |
|----------------------|----------------------------|
| DIMENSIONS W X H X D | 643.5 x 412 (542) x 230 mm |
| WEIGHT | 6.9 kg |



All trademarks and registered trademarks acknowledged. E & O E. Specification subject to change without notice. All LCD's comply with ISO-9241-307:2008 in connection with pixel defects.

© IIYAMA CORPORATION (). ALL RIGHTS RESERVED.