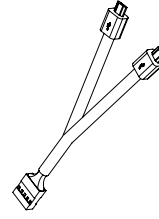


### Parts List



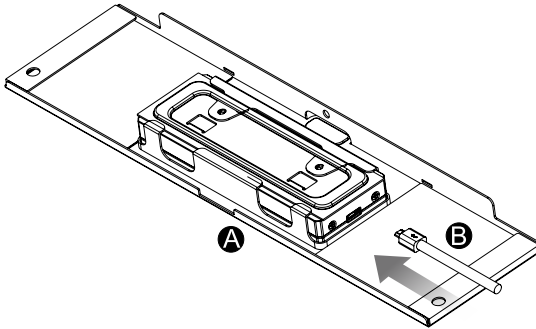
A x 1



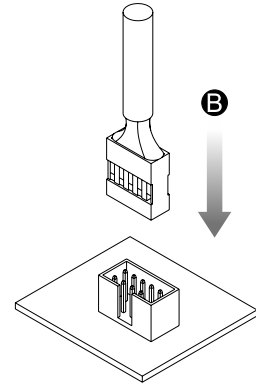
B x 1

### Installation Guide

1

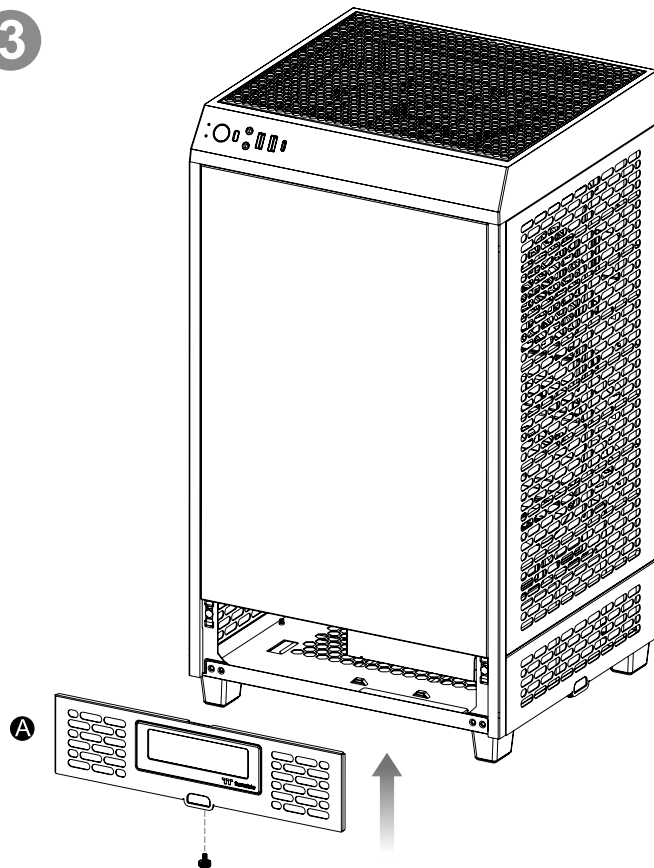


2



**Note:** Please connect the LCD display and motherboard with cable B to control the display with TT RGB PLUS 2.0 Software.

3



## TT RGB PLUS 2.0 Software control interface

Please download TT RGB PLUS 2.0 from Thermaltake's Official website.

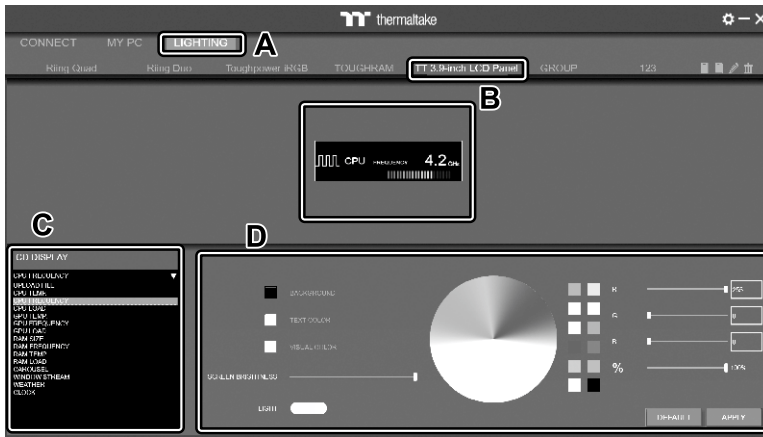
<https://www.thermaltake.com/downloads>

OS compatibility: Windows 10 / Windows 11

## TT RGB PLUS 2.0 Software User Interface

### TT 3.9" LCD Panel

### LIGHTING



A. After installation of TT RGB PLUS 2.0, you can select "TT 3.9-inch LCD Panel" on the "LIGHTING" page.

B. Preset the TT 3.9-inch LCD Panel.

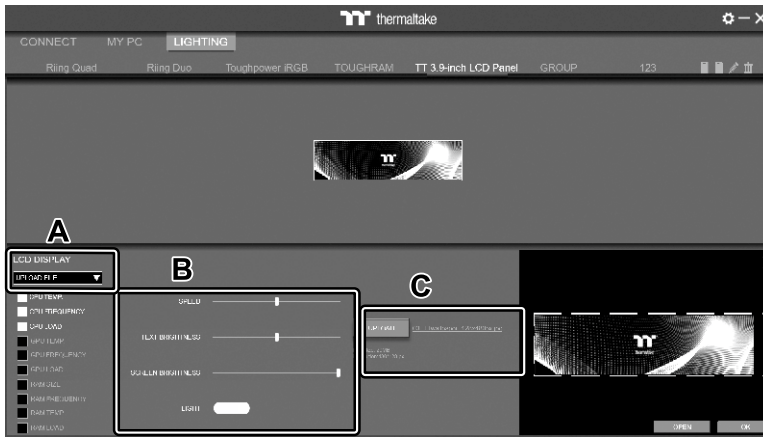
C. LCD DISPLAY function list.

- UPLOAD FILE (Upload picture or video to LCD)
- CPU TEMP.
- CPU FREQUENCY
- CPU LOAD
- GPU FREQUENCY
- GPU
- GPU LOAD
- RAM TYPE
- RAM FREQUENCY
- RAM TEMP.
- RAM LOAD
- CAROUSEL (Switches between PC information)
- WINDOW STREAM
- WEATHER
- CLOCK

D. LCD visual effect settings.

Set LCD background, text, and visual color, screen brightness, rotate the LCD screen or turn off the LCD.

### UPLOAD FILE



A. Select "UPLOAD FILE" from "LCD DISPLAY".

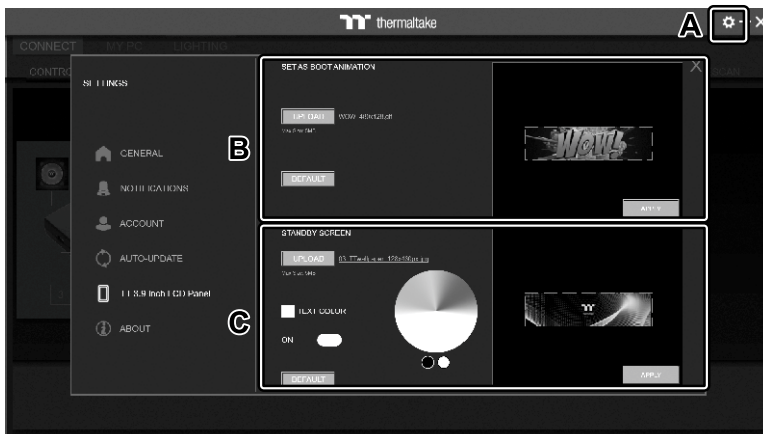
You can upload a file to show on the LCD screen.  
(File type: GIF, JPG, PNG, MOV, MP4, AVI)

B. Set the LCD text information, speed and brightness, rotate the LCD screen, or turn off the LCD.

C. Click "UPLOAD" to upload the picture.

(Max size: 20MB)

### SETTINGS



A. Click the gear icon on the upper right corner to enter the "SETTINGS" menu.

B. Upload the picture to set as LCD boot animation.  
(GIF only, Max size: 5MB)

C. Upload the picture to set as LCD standby screen.  
(JPG only, Max size: 5MB)



The software interface may vary with updates, please download the latest version from [www.thermaltake.com](http://www.thermaltake.com)