



LGA1700, LGA1200 & LGA115x

Dear customer,

Thank you very much for choosing the Noctua NH-D12L.

The NH-D12L is a low-height 120mm class CPU cooler that has been conceived to combine outstanding quiet cooling performance with superior case compatibility.

It is the perfect choice for applications that require serious cooling efficiency but cannot fit the larger U12A!

Enjoy your NH-D12L!

Yours sincerely,

Roland Mossig, Noctua CEO

This manual will guide you through the installation process of the SecuFirm2™ mounting system step by step.

Prior to installing the cooler, please consult the compatibility centre on our website (ncc.noctua.at) and verify that the cooler is fully compatible with your motherboard.

Please also make sure that your PC case offers sufficient clearance for the cooler and that there are no compatibility issues with any other components (e.g. tall RAM modules).

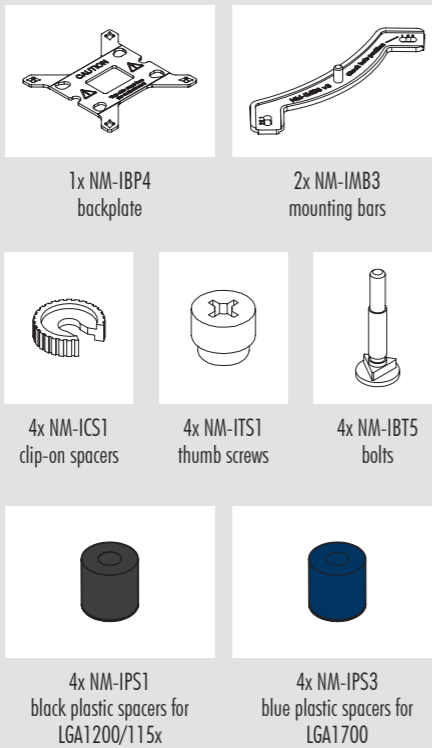
Double check that the heatsink and fan clips do not make contact with the VGA card, other PCIe cards, motherboard heatsinks or any other components.

Noctua cannot be held responsible for any damage or losses caused by compatibility issues.

Should you encounter any difficulties, please check the FAQs on our website (www.noctua.at/faqs) and don't hesitate to contact our support team at support@noctua.at.

Multilingual versions of this manual are available on our website: www.noctua.at/manuals

Required mounting parts:

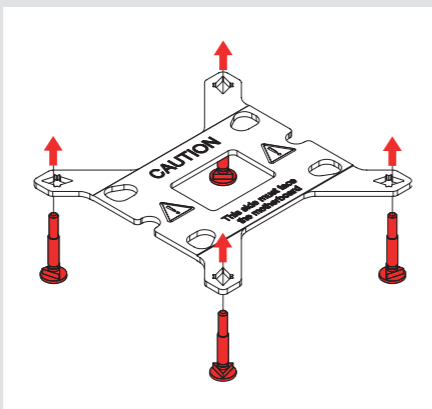


1 Removing the motherboard

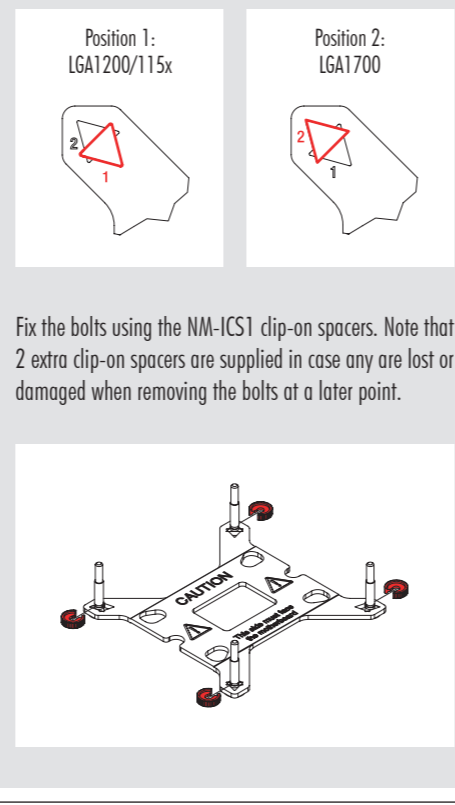
If you would like to use the cooler on an assembled system and your case does not have a cut-out at the rear side of the motherboard tray, you must first remove the motherboard from the case in order to be able to install the supplied backplate.

2 Setting up the backplate

First, identify the side of the backplate that should face the motherboard (marked with caution signs). Then choose the appropriate hole spacing for your socket and insert the four bolts into the backplate from the opposite side (marked with model name, SecuFirm2™ branding and numbers for hole spacing) at the appropriate position.

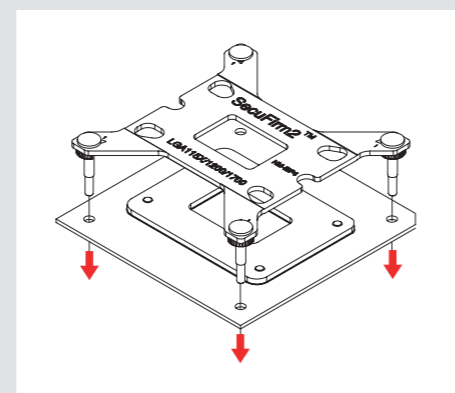


Use hole position 1 for LGA1200/115x (LGA1150, LGA1151, LGA1155, LGA1156) and hole position 2 for LGA1700 (LGA17xx family):



Fix the bolts using the NM-ICS1 clip-on spacers. Note that 2 extra clip-on spacers are supplied in case any are lost or damaged when removing the bolts at a later point.

3 Attaching the backplate



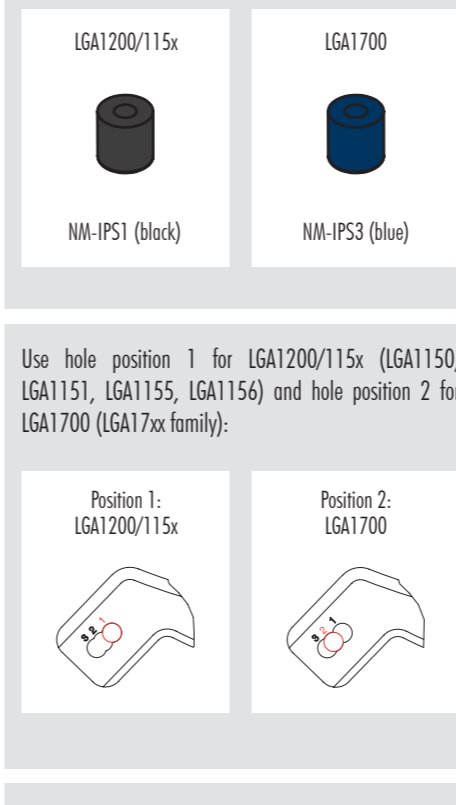
Caution: The supplied backplate will install over the motherboard's stock backplate, so the motherboard's stock backplate must not be taken off.

Place the backplate on the rear side of the motherboard so that the bolts protrude through the mounting holes.

4 Installing the mounting bars

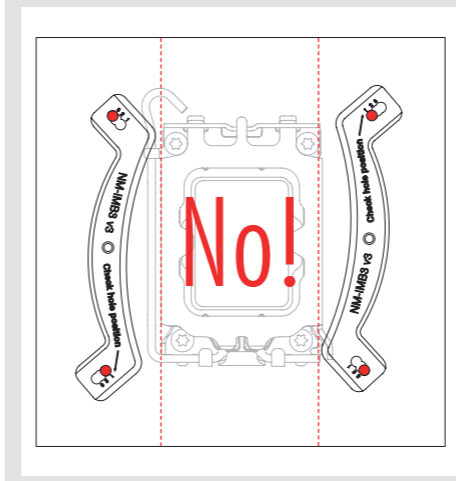
Please first choose the correct set of plastic spacers and the correct set of holes on the mounting bars according to whether you are using an LGA1200/LGA115x (LGA1150, LGA1151, LGA1155, LGA1156) or an LGA1700 (LGA17xx family) socket motherboard.

Use the black NM-IPS1 plastic spacers for LGA1200/LGA115x (LGA1150, LGA1151, LGA1155, LGA1156) and the blue NM-IPS3 plastic spacers for LGA1700 (LGA17xx family).

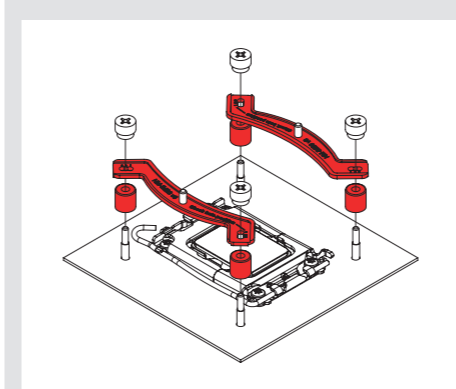


Use hole position 1 for LGA1200/115x (LGA1150, LGA1151, LGA1155, LGA1156) and hole position 2 for LGA1700 (LGA17xx family):

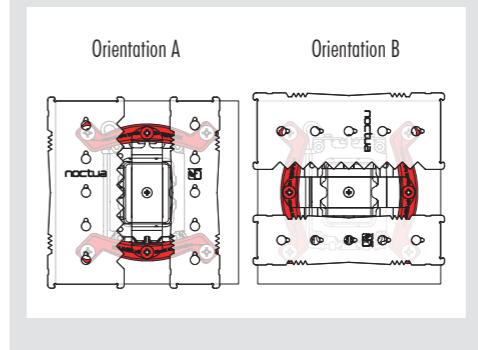
Caution: Make sure to use the correct hole position on both ends of the NM-IMB3 mounting bars so that they will not be misaligned.



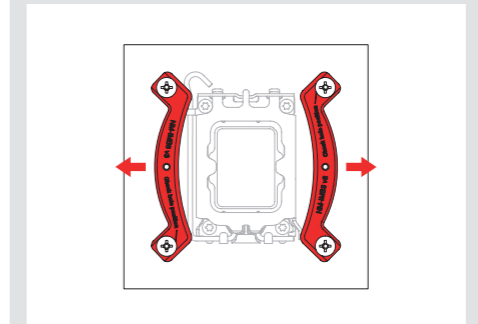
Put the plastic spacers onto the bolts of the backplate, then add the mounting bars.



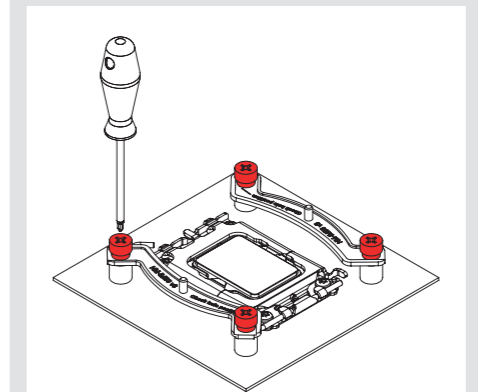
Caution: Choose the alignment of the mounting bars according to the desired final orientation of the cooler:



Caution: Make sure that the curved sides of the mounting bars are pointing outwards.



Fix the mounting bars using the four NM-ITS1 thumb screws.

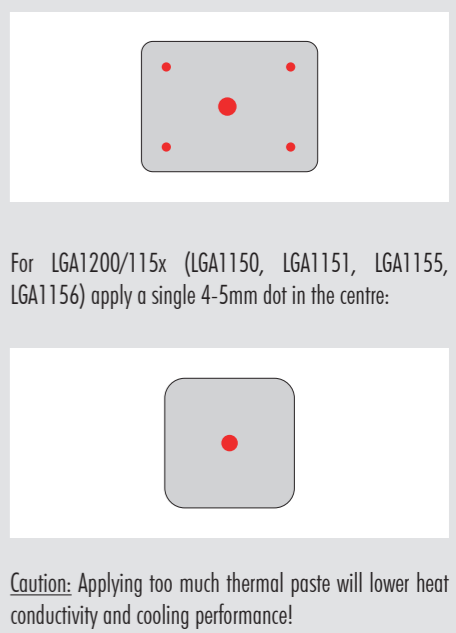


Caution: Gently tighten the screws until they stop, but do not use excessive force (max. torque 0.6 Nm).

5 Applying the thermal paste

If there are residual traces of thermal paste or thermal pads on your CPU, please clean them off first. Then apply the supplied NT-H1 thermal paste onto the CPU as shown in the following images.

For LGA1700 (LGA17xx family), apply 5 small dots; 4 dots with ~2mm diameter near the corners plus 1 dot with 3-4mm diameter in the centre:

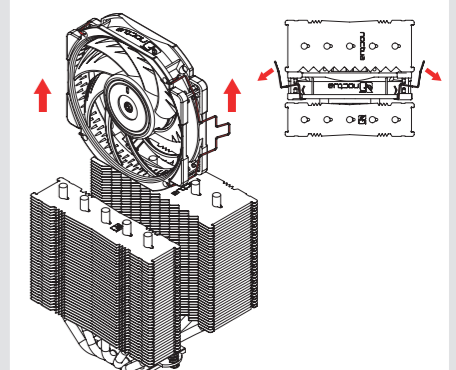


For LGA1200/115x (LGA1150, LGA1151, LGA1155, LGA1156) apply a single 4-5mm dot in the centre:

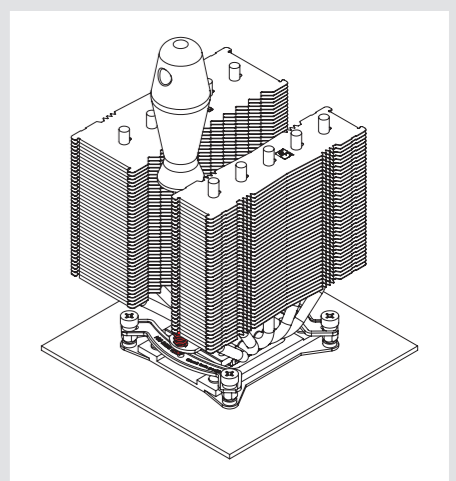
Caution: Applying too much thermal paste will lower heat conductivity and cooling performance!

6 Fastening the heatsink to the CPU

Caution: Please first take off the fan as well as the protection cover at the bottom side of the heatsink.



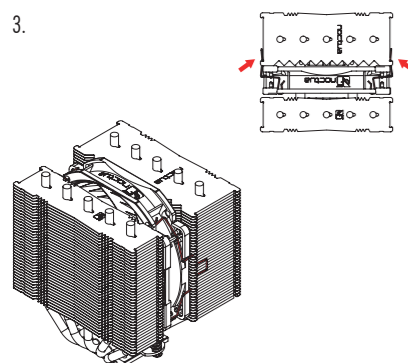
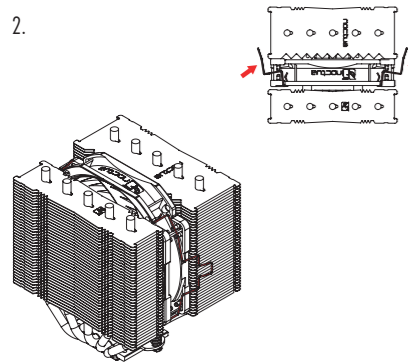
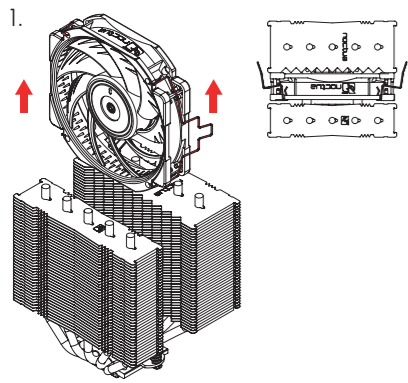
Then put the heatsink onto the CPU and screw it to the screw threads of the mounting bars. Perform 2-3 turns on each screw, then repeat until both are fully tightened.



Caution: Gently tighten the screws until they stop, but do not use excessive force (max. torque 0.6 Nm).

7 Fan setup

Reattach the fan using the supplied steel clips:



Connect the fan to the motherboard's CPU fan header.

Depending on your CPU and the temperature inside the case, you may interconnect the supplied NA-RCT4 Low-Noise Adaptor (L.N.A.) in order to further reduce the fan's operating noise.

Caution: When using the L.N.A., check the temperature of your CPU using appropriate software (e.g. the respective applications of your motherboard manufacturer), in order to evade automatic throttling of the CPU due to the increased temperature. If the cooling performance is insufficient, please increase case ventilation or remove the L.N.A.

Adding a second fan

The NH-D12L includes an extra set of fan clips for installing a second NF-A12x25r PWM fan either on the front or on the rear fin stack in order to further improve cooling performance. Please note that the supplied fan clips only support the round-frame NF-A12x25r fan and cannot be used to install standard square-frame 120mm fans.

Please also note that the second NF-A12x25r fan will usually sit on top of either the RAM or I/O panel shroud and thereby increase the total height of the cooler beyond 145mm. Therefore, verify that you have sufficient room inside your case before adding a second fan. For example, if the fan sits above the RAM and your RAM modules are 50mm high, you will need 170mm clearance (50mm RAM + 120mm fan).

! Transporting your system

As it is not possible to reliably calculate or control the forces that act upon a system during transport (e.g. in shipping), we generally recommend, for safety reasons, taking the cooler off. Noctua cannot be held responsible for any damage that may arise due to excessive stress during transport if you keep the heatsink installed.

! Warranty, support and FAQs

Even with high-grade products and strict quality control, the possibility of defects cannot be eliminated entirely. Therefore, we aim at providing the highest possible level of reliability and convenience by offering a warranty period of 6 years and direct, fast and straightforward RMA service.

Should you encounter any problems with your NH-D12L, please don't hesitate to contact our support team (support@noctua.at).

Please also consult the FAQ section on our website: www.noctua.at/faqs

! LGA20xx

Dear customer,

Thank you very much for choosing the Noctua NH-D12L.

The NH-D12L is a low-height 120mm class CPU cooler that has been conceived to combine outstanding quiet cooling performance with superior case compatibility.

It is the perfect choice for applications that require serious cooling efficiency but cannot fit the larger NH-U12A!

Enjoy your NH-D12L!

Yours sincerely,

Roland Mossig, Noctua CEO

This manual will guide you through the installation process of the SecuFirm2™ mounting system step by step.

Prior to installing the cooler, please consult the compatibility centre on our website (ncc.noctua.at) and verify that the cooler is fully compatible with your motherboard.

Please also make sure that your PC case offers sufficient clearance for the cooler and that there are no compatibility issues with any other components (e.g. tall RAM modules).

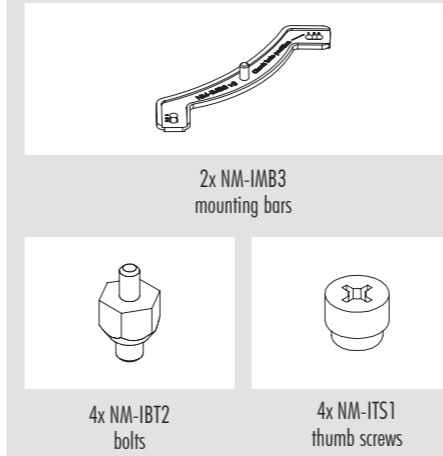
Double check that the heatsink and fan clips do not make contact with the VGA card, other PCIe cards, motherboard heatsinks or any other components.

Noctua cannot be held responsible for any damage or losses caused by compatibility issues.

Should you encounter any difficulties, please check the FAQs on our website (www.noctua.at/faqs) and don't hesitate to contact our support team at support@noctua.at.

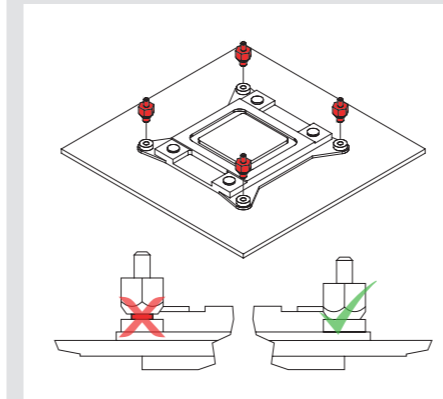
Multilingual versions of this manual are available on our website: www.noctua.at/manuals

Required mounting parts:

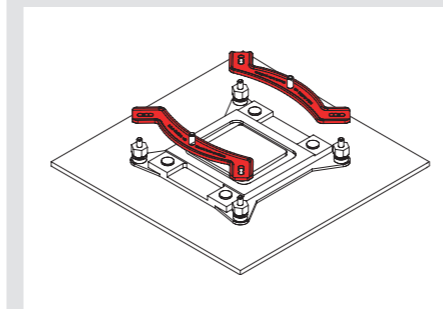


1 Installing the mounting bars

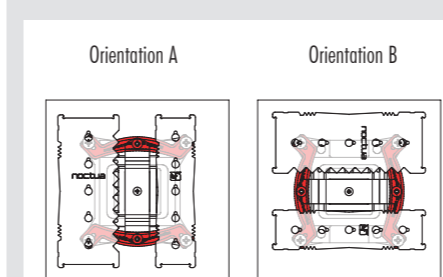
First screw the NM-IBT2 bolts into the screw threads of the LGA20xx socket frame.



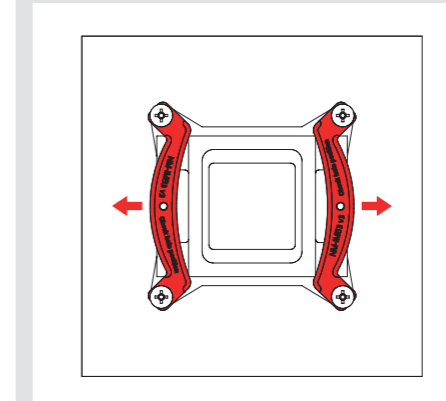
Then put the NM-IMB3 mounting bars onto the bolts.



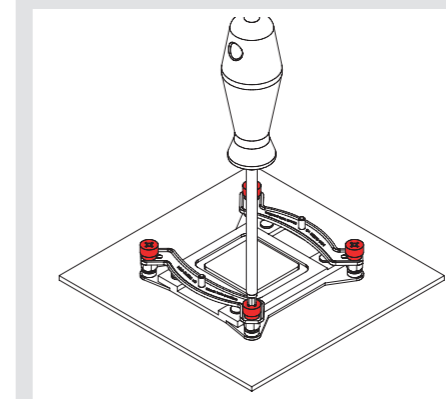
Caution: Choose the alignment of the mounting bars according to the desired final orientation of the cooler:



Caution: Make sure that the curved sides of the mounting bars are pointing outwards.



Fix the mounting bars using the four NM-ITS1 thumb screws.

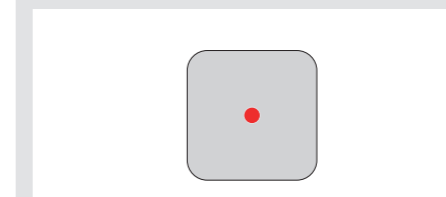


Caution: Gently tighten the screws until they stop, but do not use excessive force (max. torque 0.6 Nm).

2 Applying the thermal paste

If there are residual traces of thermal paste or thermal pads on your CPU, please clean them off first.

Then press a small drop with 4-5mm diameter of NT-H1 thermal paste onto the centre of the heat-spreader.



Caution: Applying too much thermal paste will lower heat conductivity and cooling performance!

3 Fastening the heatsink to the CPU

Please refer to step 6 of the LGA1700, LGA1200 & LGA115x installation manual.

4 Fan setup

Please refer to step 7 of the LGA1700, LGA1200 & LGA115x installation manual.

! Transporting your system

As it is not possible to reliably calculate or control the forces that act upon a system during transport (e.g. in shipping), we generally recommend, for safety reasons, taking the cooler off. Noctua cannot be held responsible for any damage that may arise due to excessive stress during transport if you keep the heatsink installed.

! Warranty, support and FAQs

Even with high-grade products and strict quality control, the possibility of defects cannot be eliminated entirely. Therefore, we aim at providing the highest possible level of reliability and convenience by offering a warranty period of 6 years and direct, fast and straightforward RMA service.

Should you encounter any problems with your NH-D12L, please don't hesitate to contact our support team (support@noctua.at).

Please also consult the FAQ section on our website: www.noctua.at/faqs



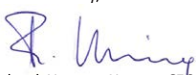
! AMD (AM4 & AM5)

Dear customer,

Thank you very much for choosing the Noctua NH-D12L. The NH-D12L is a low-height 120mm class CPU cooler that has been conceived to combine outstanding quiet cooling performance with superior case compatibility. It is the perfect choice for applications that require serious cooling efficiency but cannot fit the larger NH-U12A!

Enjoy your NH-D12L!

Yours sincerely,



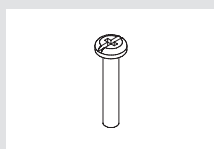
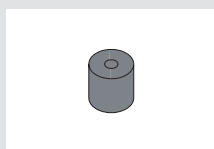
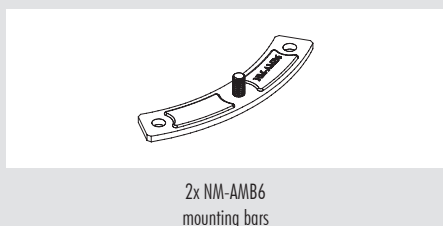
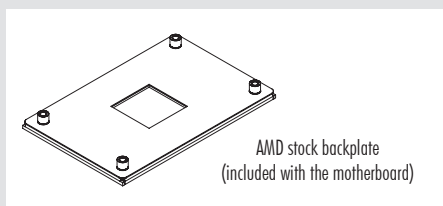
Roland Mossig, Noctua CEO

This manual will guide you through the installation process of the SecuFirm2™ mounting system step by step.

Prior to installing the cooler, please consult the compatibility centre on our website (ncc.noctua.at) and verify that the cooler is fully compatible with your motherboard. Please also make sure that your PC case offers sufficient clearance for the cooler and that there are no compatibility issues with any other components (e.g. tall RAM modules). Double check that the heatsink and fan clips do not make contact with the VGA card, other PCIe cards, motherboard heatsinks or any other components. Noctua cannot be held responsible for any damage or losses caused by compatibility issues. Should you encounter any difficulties, please check the FAQs on our website (www.noctua.at/faqs) and don't hesitate to contact our support team at support@noctua.at.

Multilingual versions of this manual are available on our website: www.noctua.at/manuals

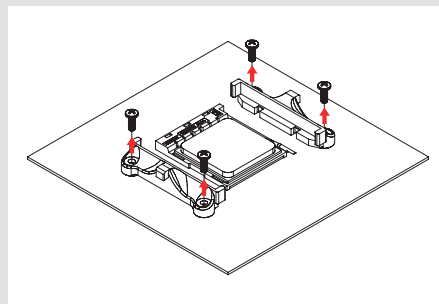
Required mounting parts:



1 Removing the stock retention module — putting the backplate in place

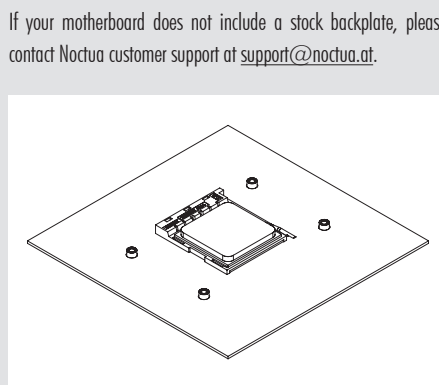
If your motherboard comes with a pre-installed CPU cooler retention module, please first remove it by unscrewing it from the backplate.

The SecuFirm2™ mounting system will install directly to the stock backplate, so please keep it in place.



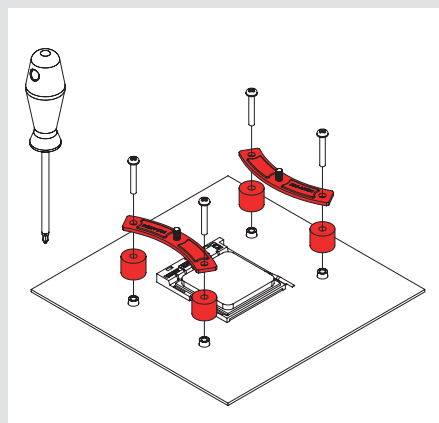
If your motherboard does not come with a pre-installed CPU cooler retention module, the AMD stock backplate should be included with the motherboard accessories.

Please put the backplate on the rear side of the motherboard so that the screw threads of the backplate stick through the mounting holes of the motherboard as shown below.

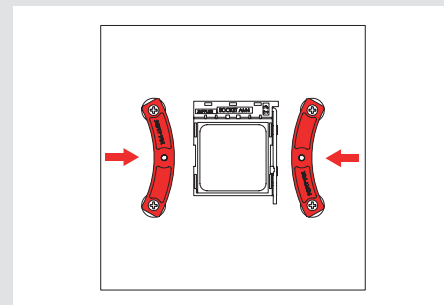


2 Attaching the mounting bars

First put the plastic spacers onto the screw threads of the backplate, then fix the NM-AMB6 mounting bars using the four NM-ALS1 long screws.



Make sure that the curved sides of the mounting bars are pointing inwards.



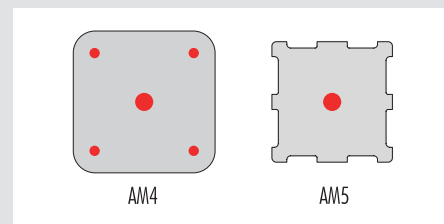
Caution: Gently tighten the screws until they stop, but do not use excessive force (max. torque 0.6 Nm).

3 Applying the thermal paste

If there are residual traces of thermal paste or thermal pads on your CPU, please clean them off first.

For AM4, apply 4 small dots with ~2mm diameter near the corners plus 1 dot with 3-4mm diameter in the centre of the heat-spreader.

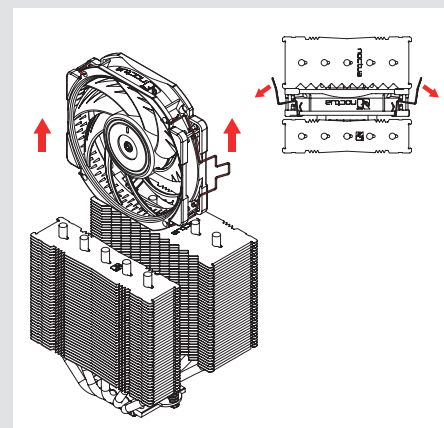
For AM5, apply 1 dot with 3-4mm diameter in the centre of the heat-spreader.



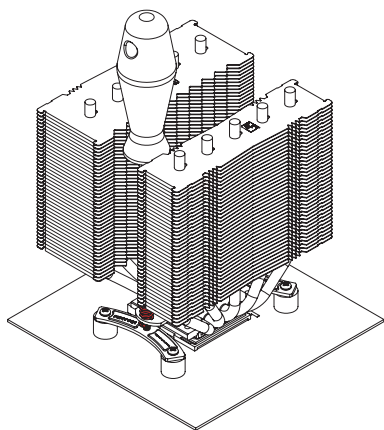
Caution: Applying too much thermal paste will lower heat conductivity and cooling performance!

4 Fastening the heatsink to the CPU

Caution: Please first take off the fan as well as the protection cover at the bottom side of the heatsink.



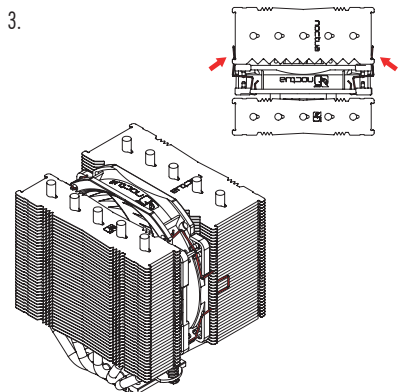
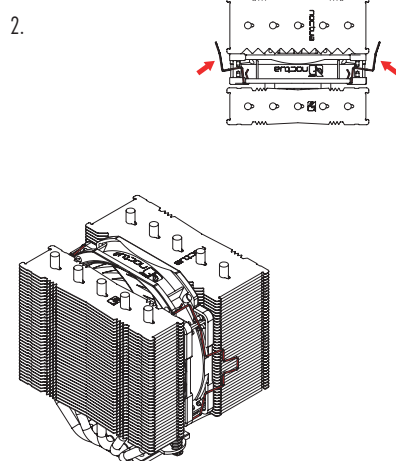
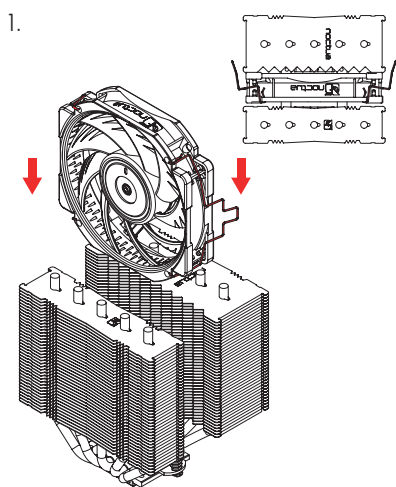
Then put the heatsink onto the CPU and screw it to the screw threads of the mounting bars. Perform 2-3 turns on each screw, then repeat until both are fully tightened.



Caution: Gently tighten the screws until they stop, but do not use excessive force (max. torque 0.6 Nm).

5 Fan setup

Reattach the fan using the supplied steel clips:



Connect the fan to the motherboard's CPU fan header.

Depending on your CPU and the temperature inside the case, you may interconnect the supplied NA-RCT14 Low-Noise Adaptor (L.N.A.) in order to further reduce the fan's operating noise.

Caution: When using the L.N.A., check the temperature of your CPU using appropriate software (e.g. the respective applications of your motherboard manufacturer), in order to evade automatic throttling of the CPU due to the increased temperature. If the cooling performance is insufficient, please increase case ventilation or remove the L.N.A.

Adding a second fan

The NH-D12L includes an extra set of fan clips for installing a second NF-A12x25r PWM fan either on the front or on the rear fin stack in order to further improve cooling performance.

Please note that the supplied fan clips only support the round-frame NF-A12x25r fan and cannot be used to install standard square-frame 120mm fans.

Please also note that the second NF-A12x25r fan will usually sit on top of either the RAM or I/O panel shroud and thereby increase the total height of the cooler beyond 145mm. Therefore, verify that you have sufficient room inside your case before adding a second fan. For example, if the fan sits above the RAM and your RAM modules are 50mm high, you will need 170mm clearance (50mm RAM + 120mm fan).

! Transporting your system

As it is not possible to reliably calculate or control the forces that act upon a system during transport (e.g. in shipping), we generally recommend, for safety reasons, taking the cooler off.

Noctua cannot be held responsible for any damage that may arise due to excessive stress during transport if you keep the heatsink installed.

! Warranty, support and FAQs

Even with high-grade products and strict quality control, the possibility of defects cannot be eliminated entirely. Therefore, we aim at providing the highest possible level of reliability and convenience by offering a warranty period of 6 years and direct, fast and straightforward RMA service.

Should you encounter any problems with your NH-D12L, please don't hesitate to contact our support team (support@noctua.at).

Please also consult the FAQ section on our website: www.noctua.at/faqs